



US00D800279S

(12) **United States Design Patent** (10) **Patent No.:** **US D800,279 S**
Bowskill (45) **Date of Patent:** **** Oct. 17, 2017**

(54) **PORTABLE KITCHEN WORK STATION WITH SERVICE COMPONENTS**

- (71) Applicant: **Get Kids Cooking Pty Limited**,
Forestville (AU)
- (72) Inventor: **Joanne Bowskill**, Killarney Heights
(AU)
- (73) Assignee: **Get Kids Cooking Pty Limited**,
Forestville (AU)
- (**) Term: **15 Years**

(21) Appl. No.: **29/569,627**

(22) Filed: **Jun. 29, 2016**

(51) **LOC (10) Cl.** **23-02**

(52) **U.S. Cl.**
USPC **D23/286; D7/368**

(58) **Field of Classification Search**
USPC D23/286, 303, 308; D6/657, 671, 671.1,
D6/671.2, 699.2; D7/333, 368; D34/17,
D34/19, 20, 21
CPC A47B 47/0075; B25H 3/021; B62B 3/001;
B62B 5/04; E03C 1/18; E05B 65/468
See application file for complete search history.

(56) **References Cited**

U.S. PATENT DOCUMENTS

D273,906 S *	5/1984	Norlin	D34/19
D337,404 S *	7/1993	Miles	D34/19
5,645,332 A *	7/1997	Snoke	A47B 47/0075 220/690
5,765,842 A *	6/1998	Phaneuf	B62B 3/001 280/43.17
D444,930 S *	7/2001	Brown	D34/12
6,374,649 B1 *	4/2002	Holcomb	E05B 65/468 312/215
6,409,187 B1 *	6/2002	Crow, Jr.	B62B 5/04 188/20

(Continued)

OTHER PUBLICATIONS

Trinity Workbench found online [Apr. 8, 2017] <https://www.wayfair.com/Trinity-Stainless-Steel-Rubberwood-Top-Workbench-TTY1172.html>.*

Primary Examiner — Robert M Spear

Assistant Examiner — John Voytek

(74) *Attorney, Agent, or Firm* — Nelson Mullins Riley & Scarborough LLP

(57) **CLAIM**

The ornamental design for a portable kitchen work station with service components, as shown and described.

DESCRIPTION

FIG. 1 is a front perspective view of the design of a portable kitchen work station with service components of the present application in a closed configuration;

FIG. 2 is a rear perspective view of the design of FIG. 1;

FIG. 3 is a front view of the design of FIG. 1;

FIG. 4 is a rear view of the design of FIG. 1;

FIG. 5 is a left side view of the design of FIG. 1;

FIG. 6 is a right side view of the design of FIG. 1;

FIG. 7 is a top view of the design of FIG. 1;

FIG. 8 is a front perspective view of the design of FIG. 1 in an open configuration;

FIG. 9 is a rear perspective view of the design as shown in FIG. 8;

FIG. 10 is a front view of the design as shown in FIG. 8;

FIG. 11 is a rear view of the design as shown in FIG. 8;

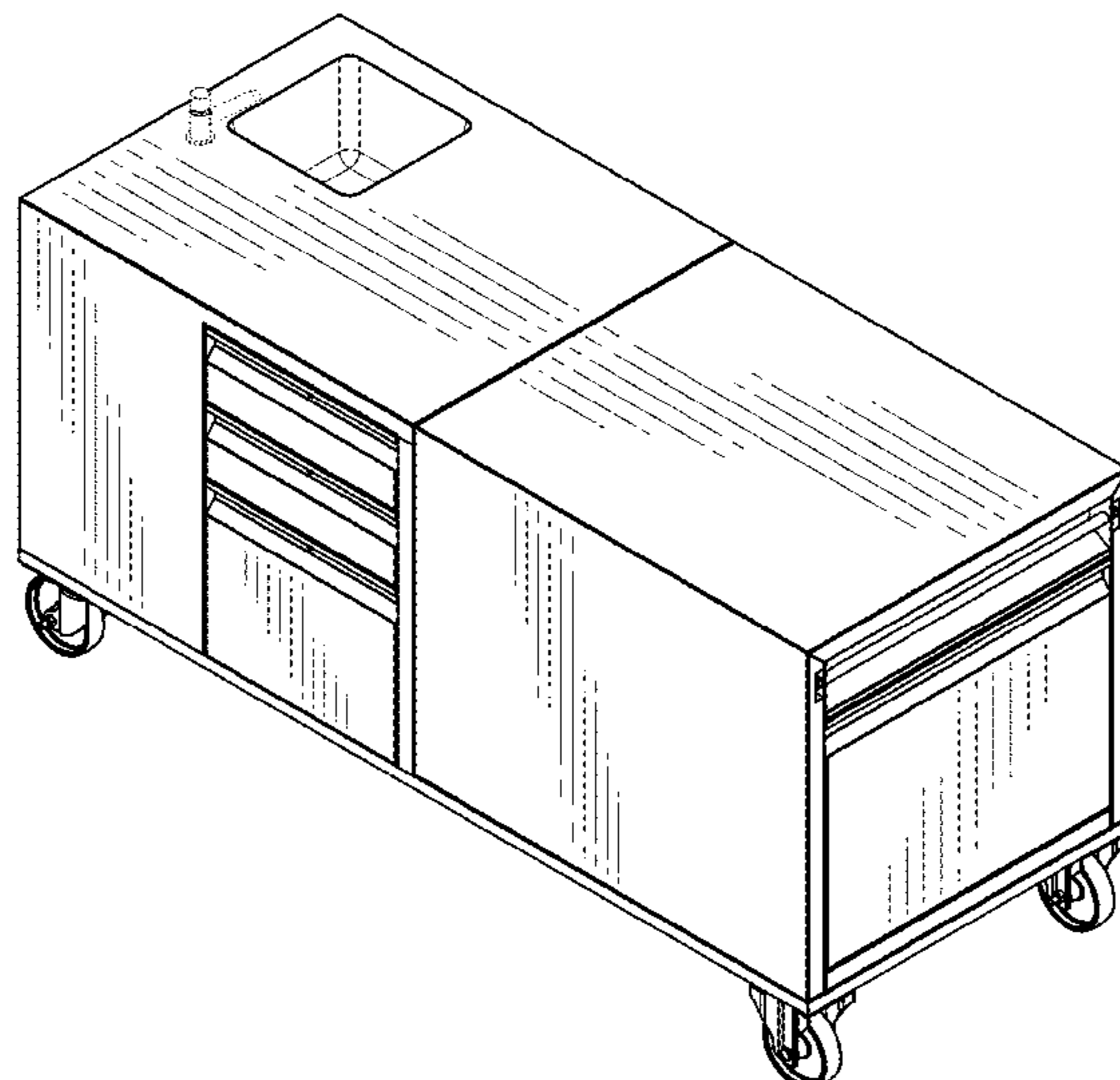
FIG. 12 is a left side view of the design as shown in FIG. 8;

FIG. 13 is a right side view of the design as shown in FIG. 8; and,

FIG. 14 is a top view of the design as shown in FIG. 8.

The broken lines of FIGS. 1-14 are illustrative of the visible environmental structure of the portable kitchen work station with service components and form no part of the claimed design.

1 Claim, 14 Drawing Sheets



(56)

References Cited

U.S. PATENT DOCUMENTS

D636,615 S *	4/2011	Grela	D34/20
D657,161 S *	4/2012	Combs	D6/657
8,157,337 B2 *	4/2012	Manalang	B25H 3/021 211/70.6
2014/0338655 A1 *	11/2014	Doyle	E03C 1/18 126/276

* cited by examiner

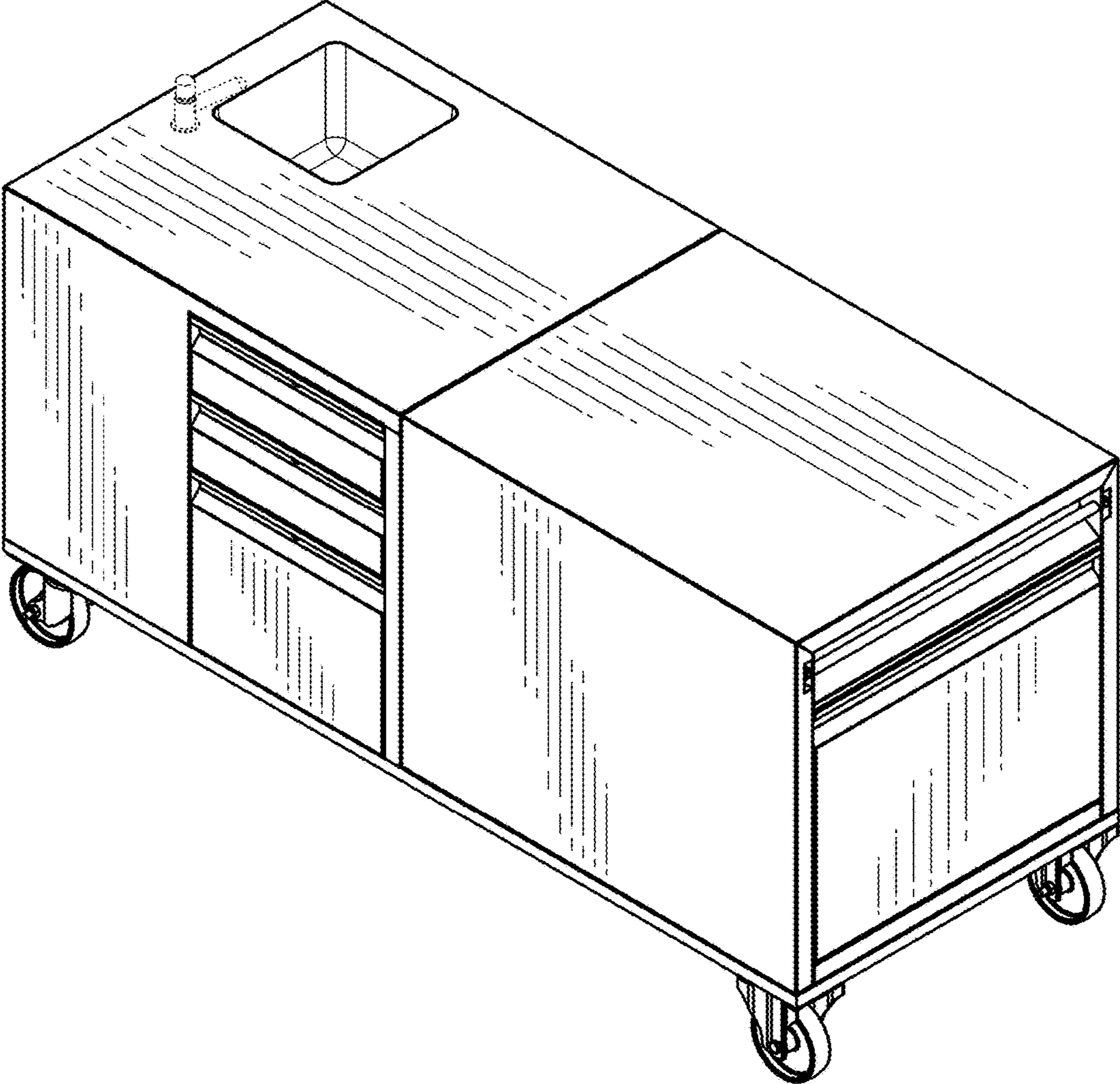


FIGURE 1

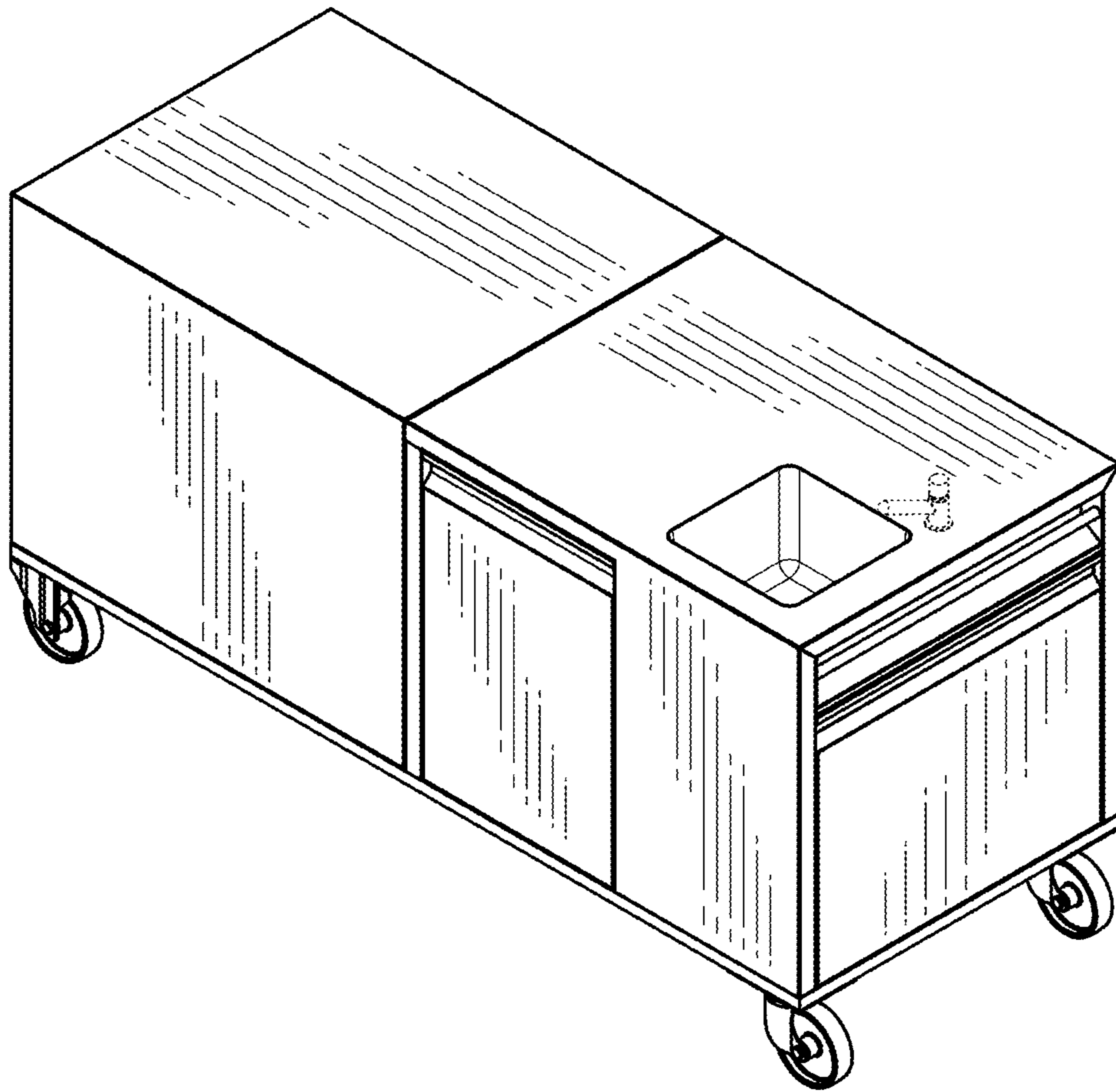


FIGURE 2

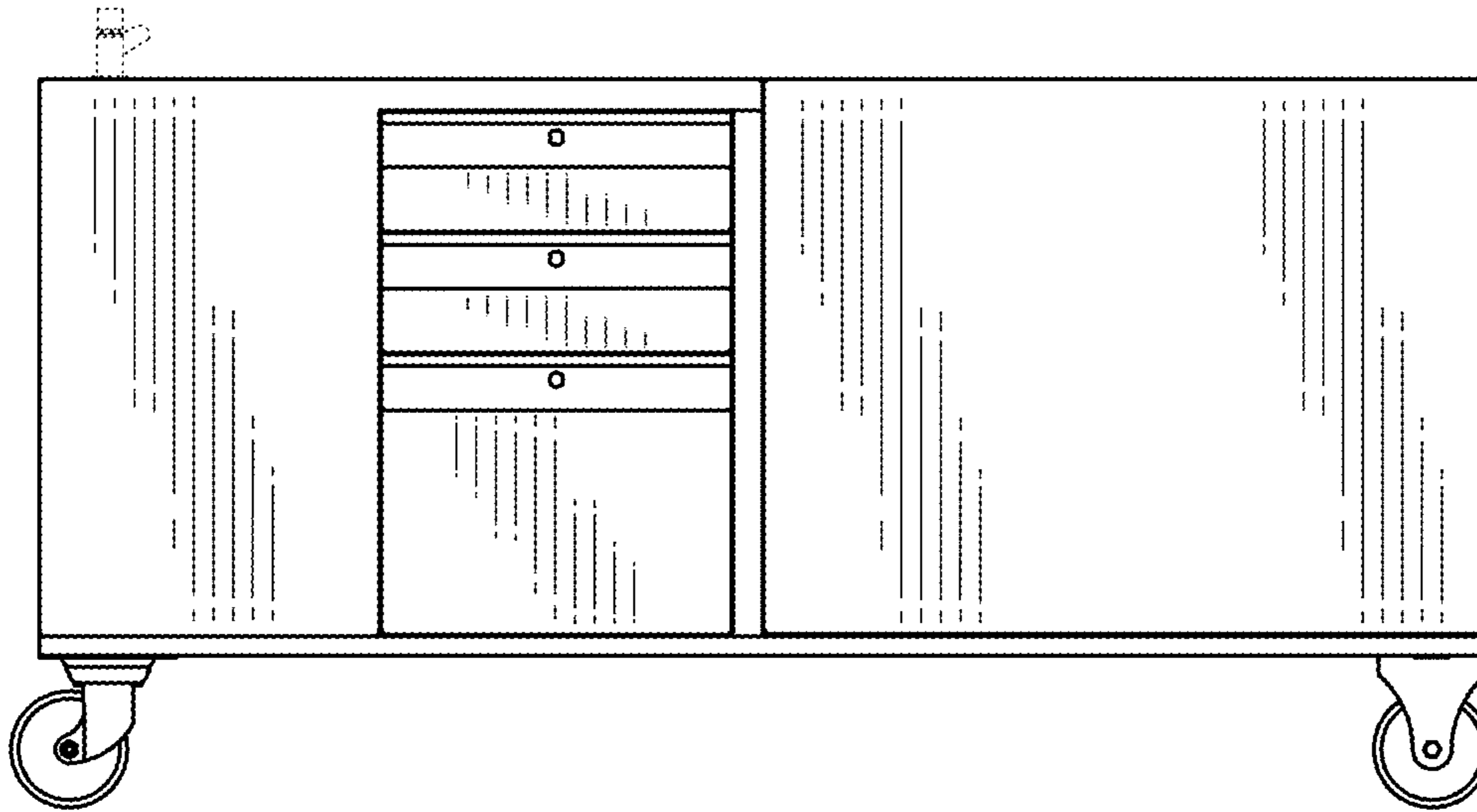


FIGURE 3

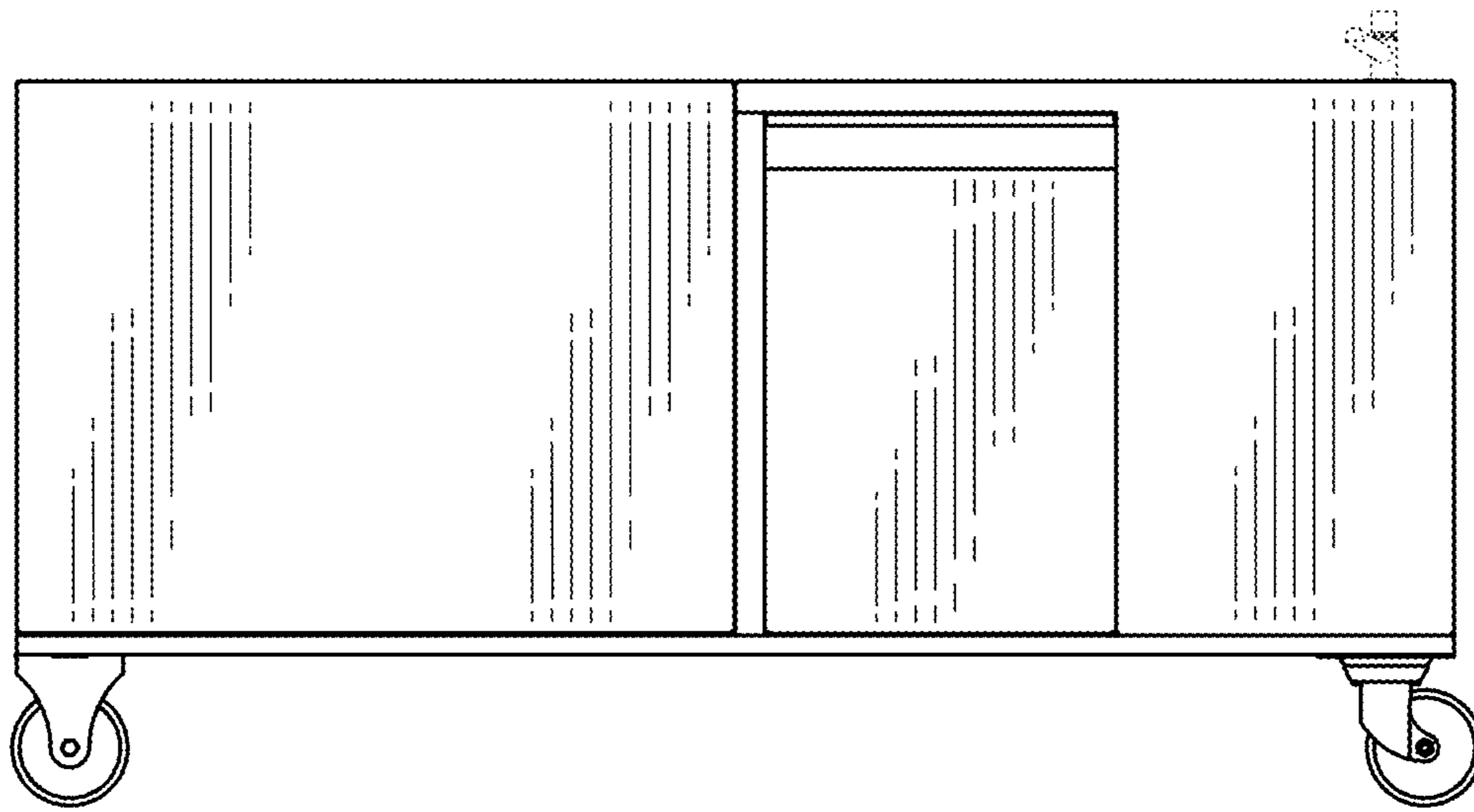


FIGURE 4

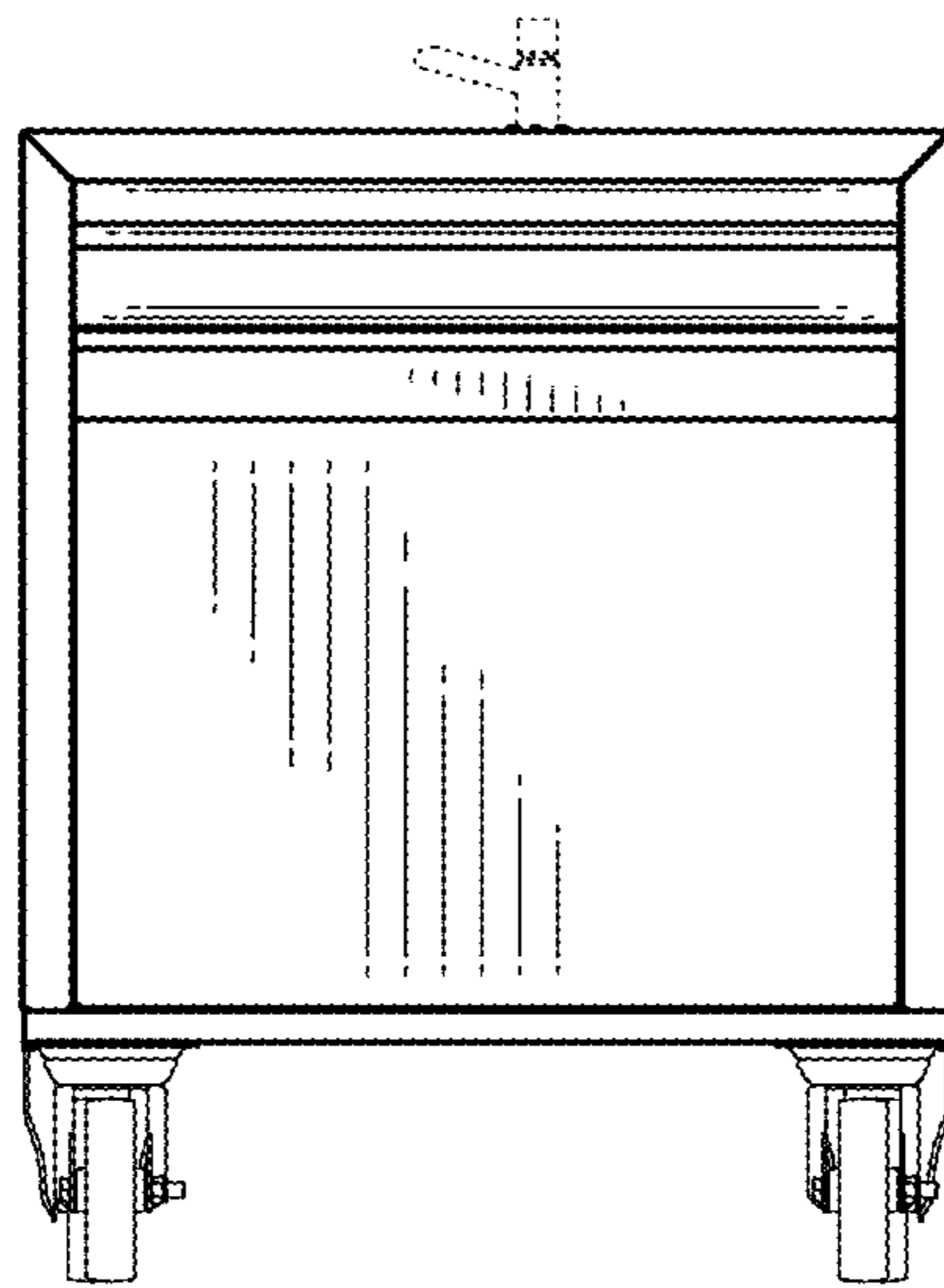


FIGURE 5

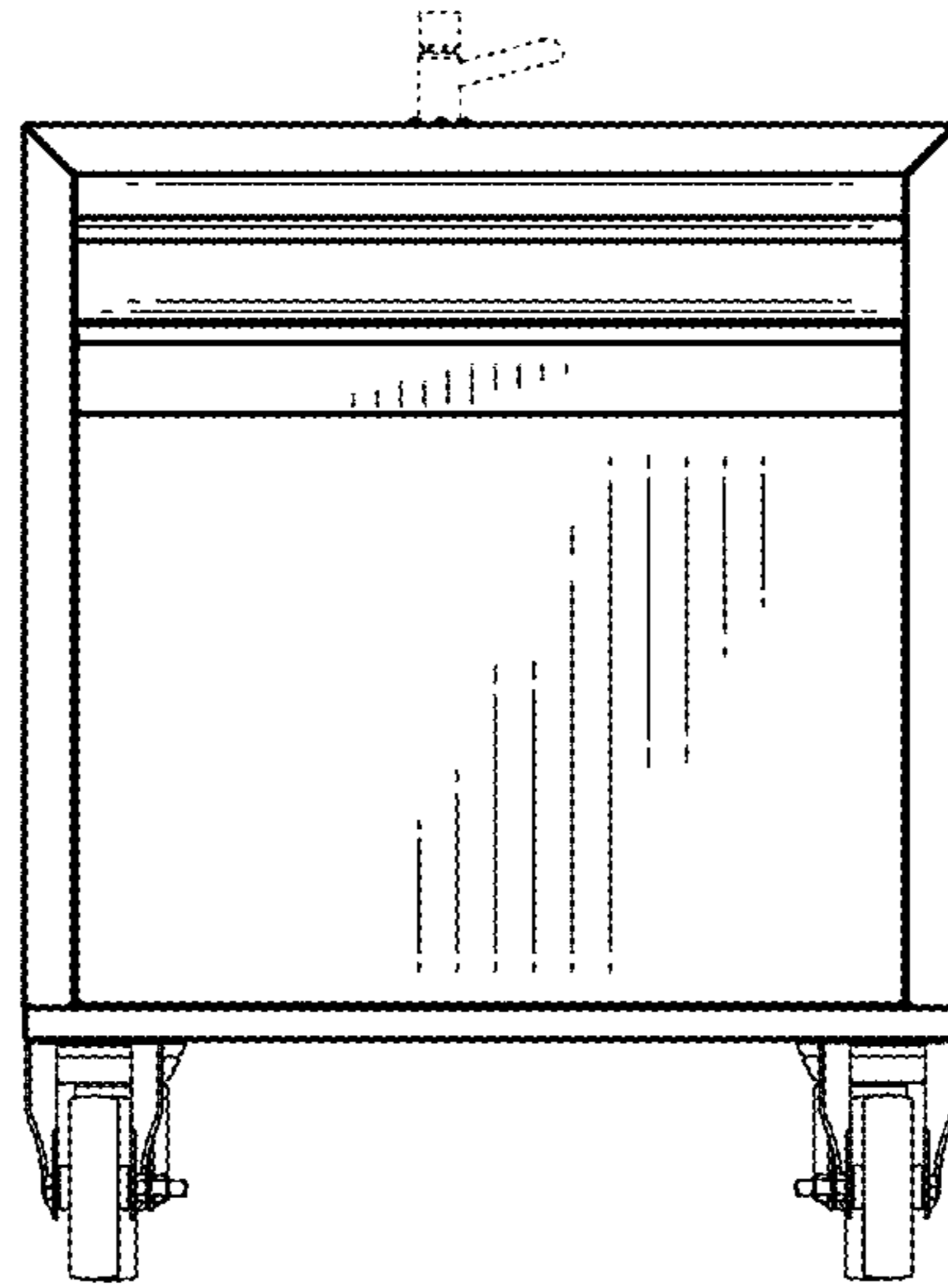


FIGURE 6

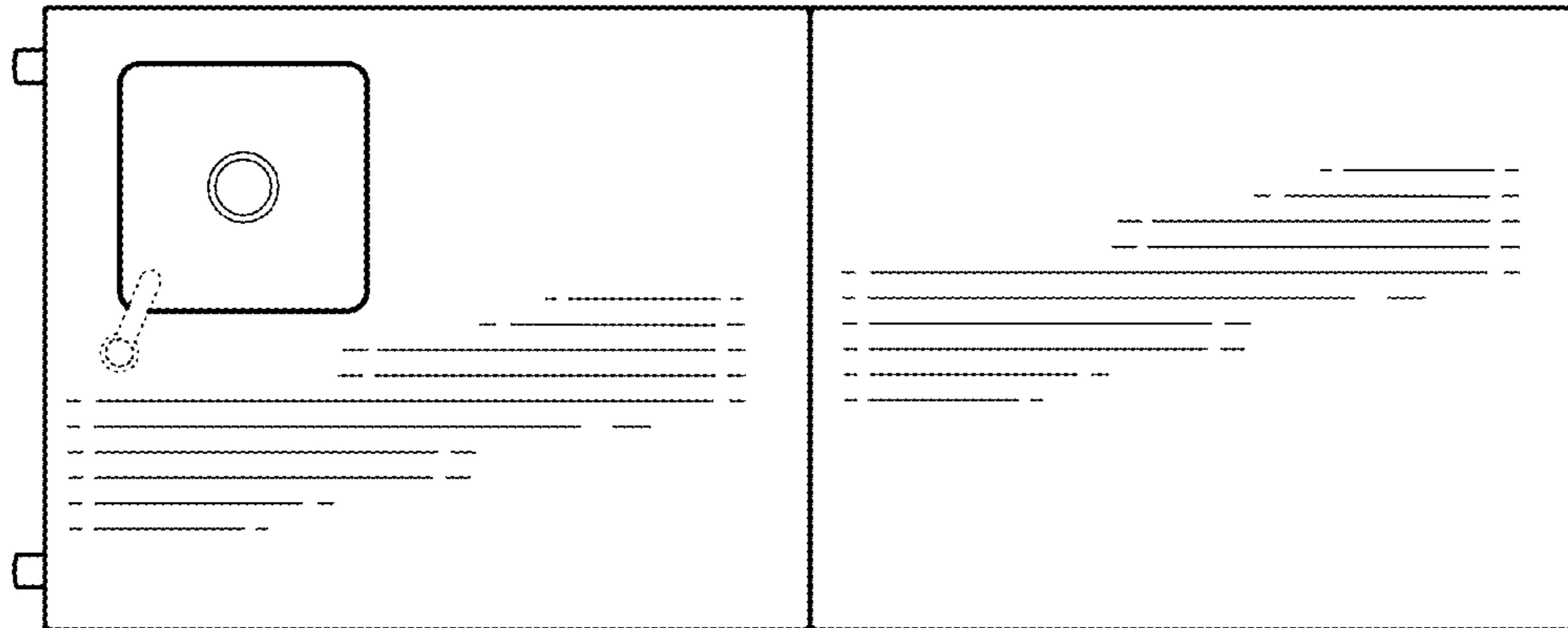


FIGURE 7

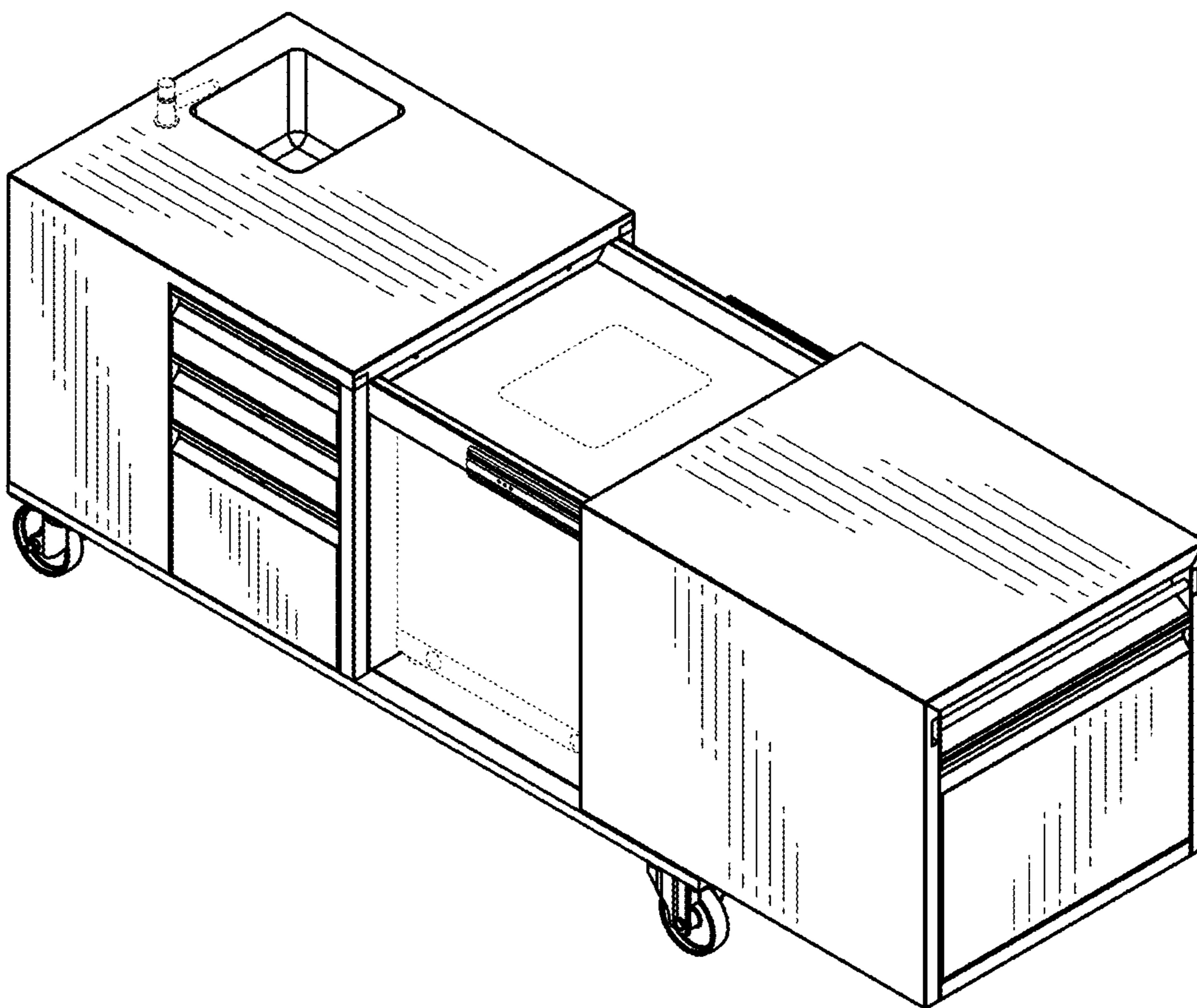


FIGURE 8

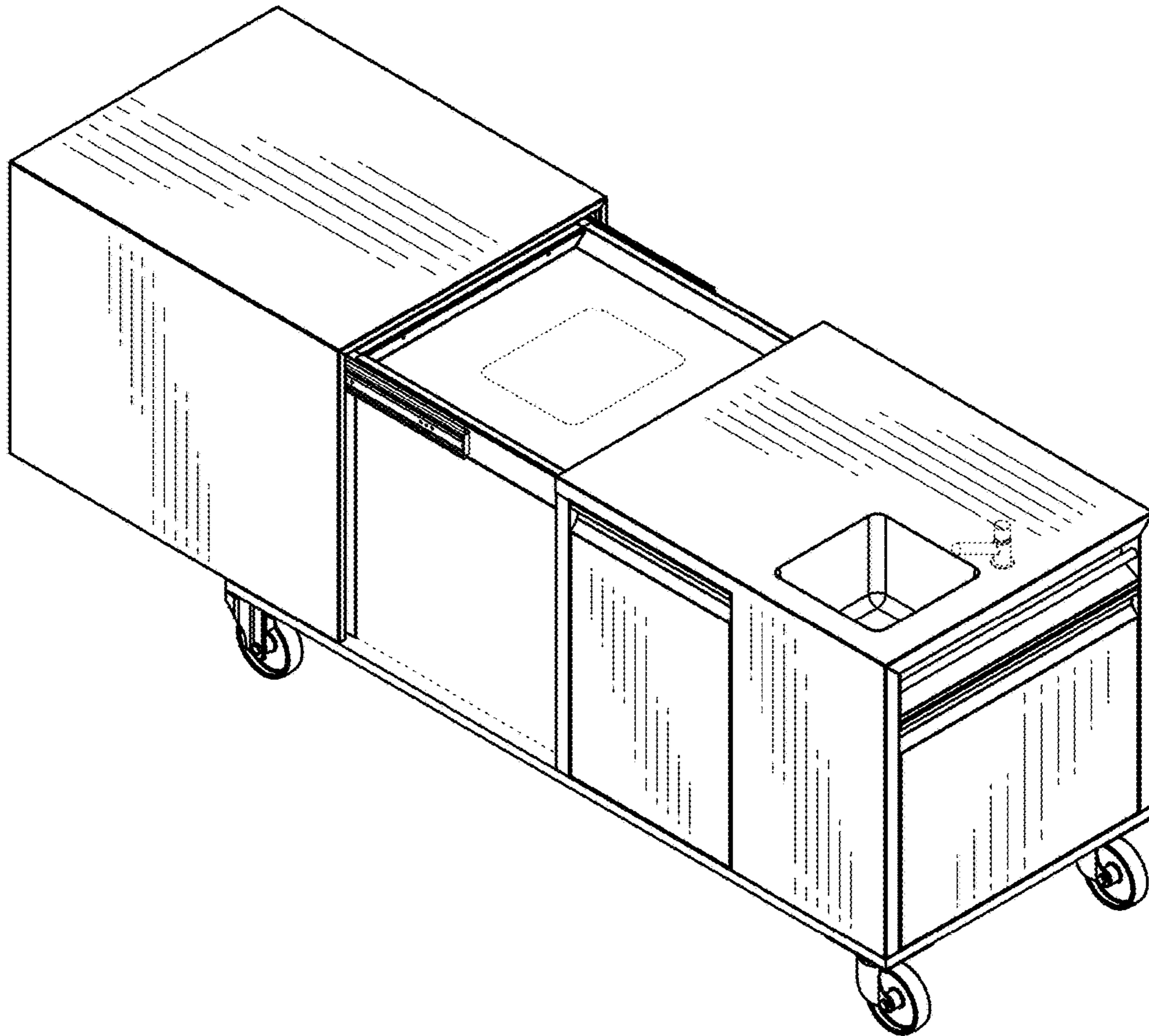


FIGURE 9

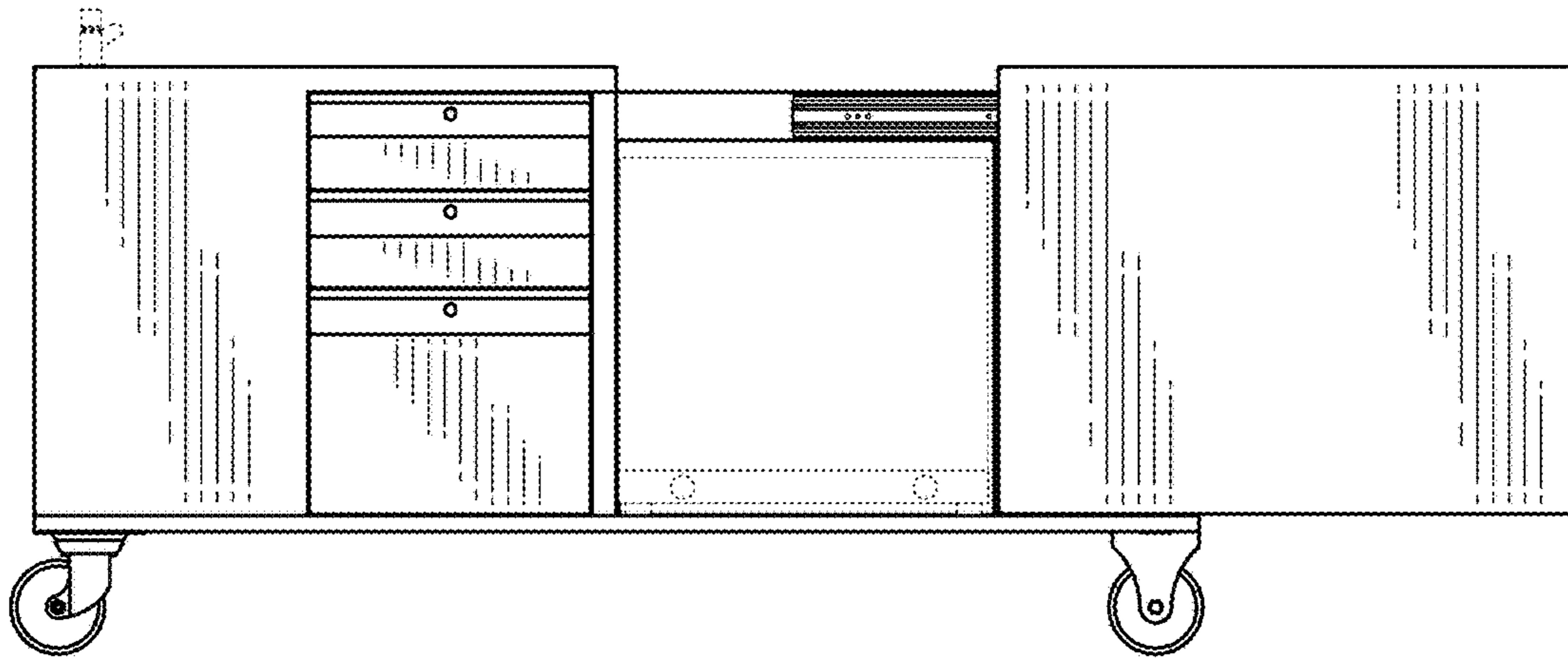


FIGURE 10

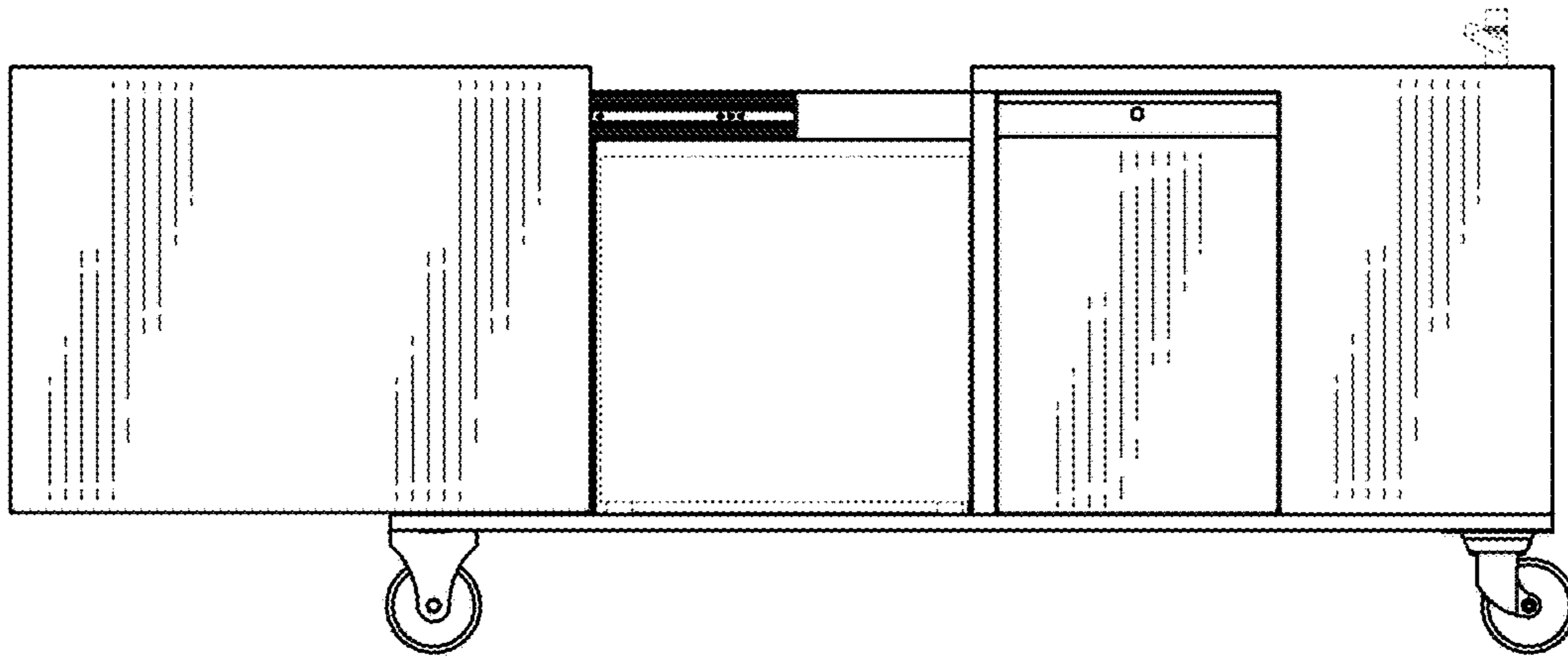


FIGURE 11

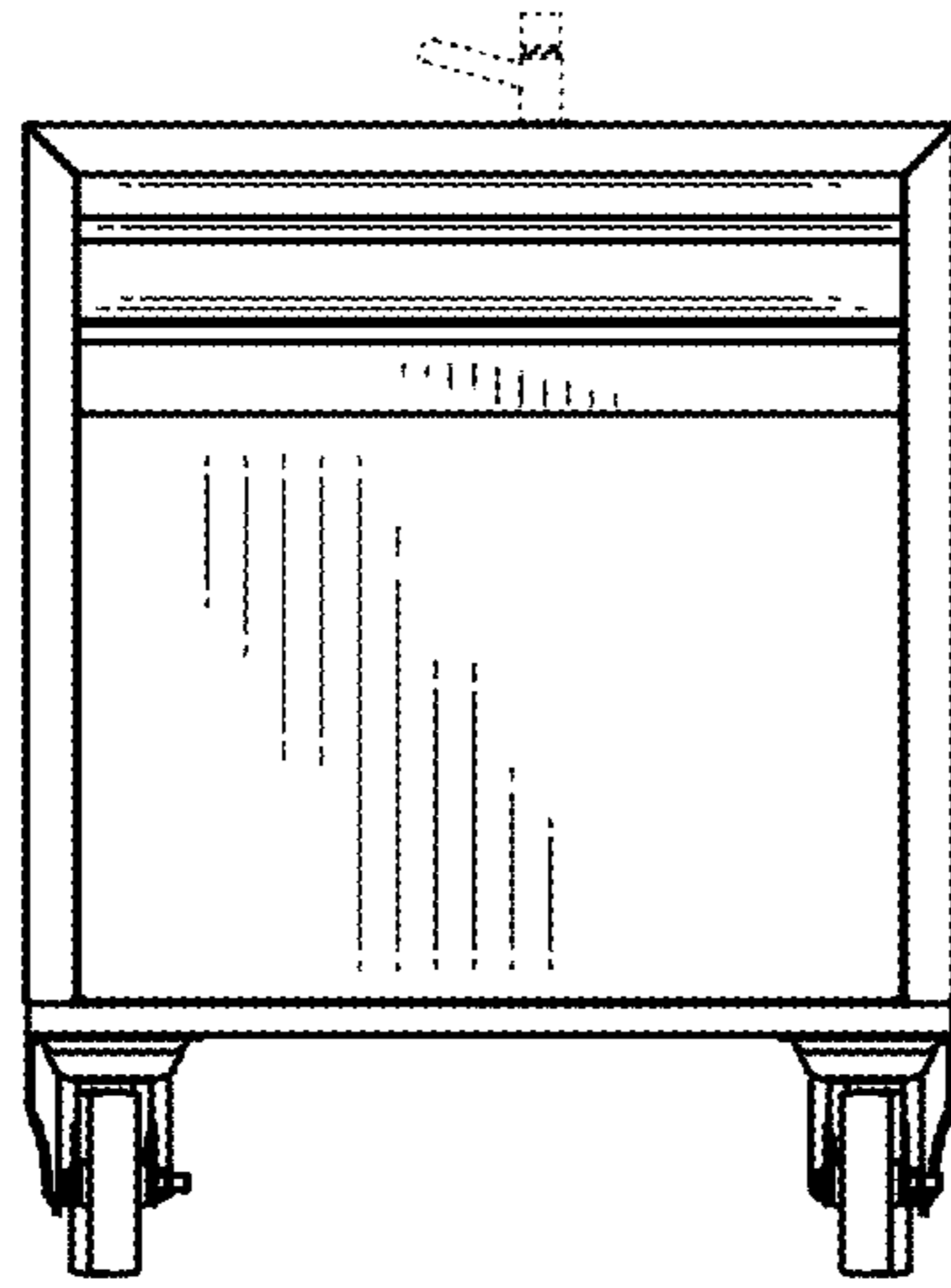


FIGURE 12

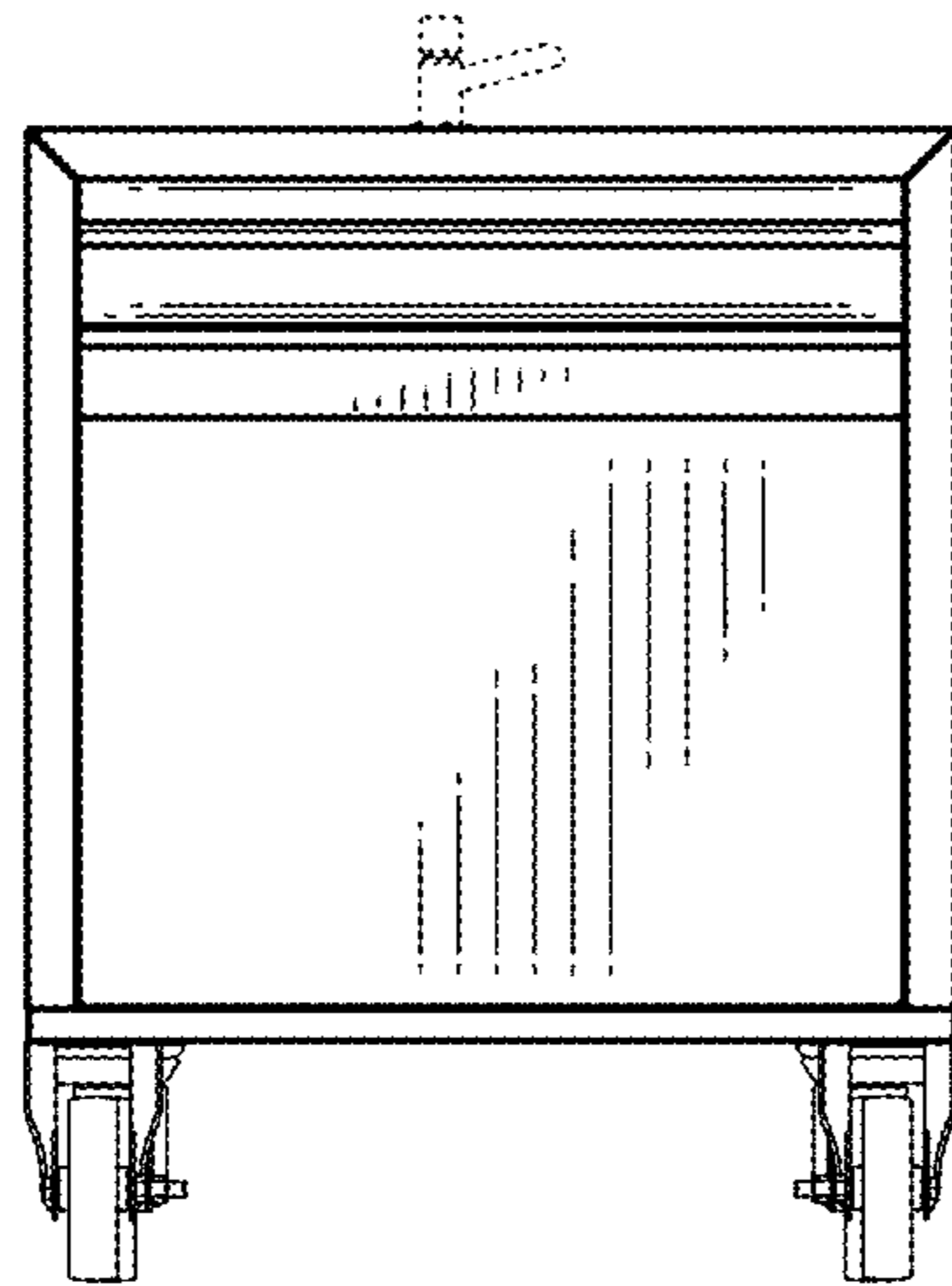


FIGURE 13

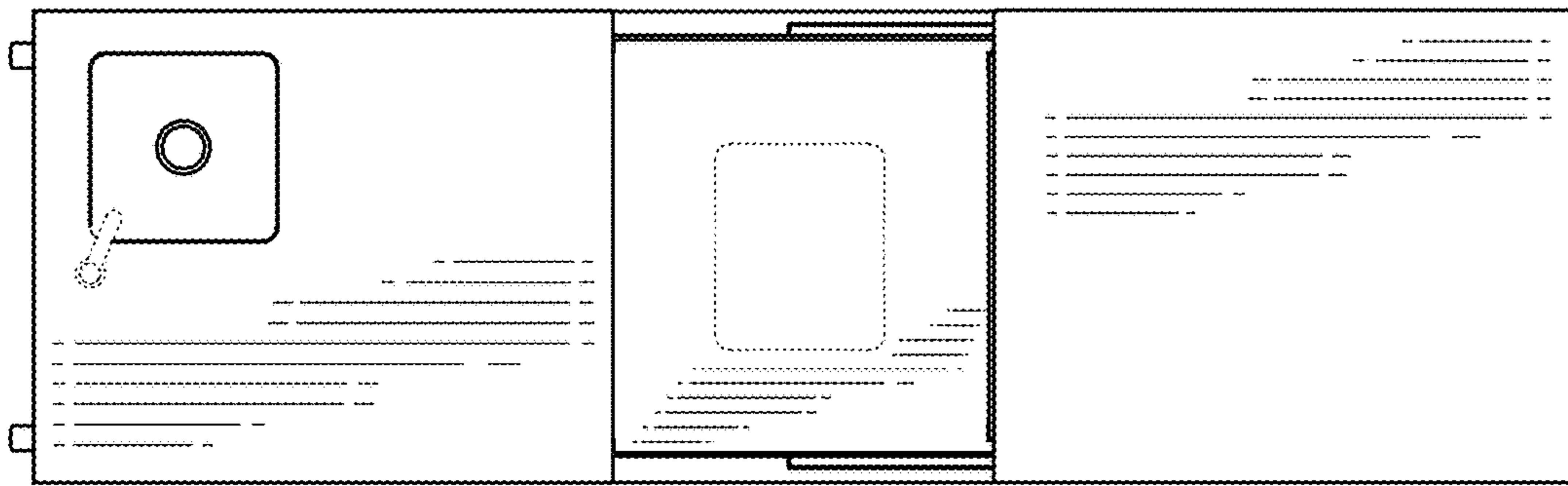


FIGURE 14