



US00D800277S

(12) **United States Design Patent**  
**Makinen et al.**

(10) **Patent No.:** **US D800,277 S**

(45) **Date of Patent:** **\*\* Oct. 17, 2017**

- (54) **FLOOR DRAIN**
- (71) Applicant: **Linercom Oy**, Kausala (FI)
- (72) Inventors: **Arto Makinen**, Kausala (FI); **Jussi Kailio**, Kausala (FI)
- (73) Assignee: **Linercom Oy**, Kausala (FI)
- (\*\*) Term: **15 Years**
- (21) Appl. No.: **29/562,576**
- (22) Filed: **Apr. 27, 2016**
- (30) **Foreign Application Priority Data**  
  - Oct. 30, 2015 (EM) ..... 002842799
- (51) **LOC (10) Cl.** ..... **23-01**
- (52) **U.S. Cl.**  
USPC ..... **D23/261**
- (58) **Field of Classification Search**  
USPC ..... D23/259-265, 266-267, 268-269;  
210/127, 163, 166, 744, 791; 137/247,  
137/247.41, 362; 285/56  
CPC ... E03C 1/26; E03C 1/262; E03C 1/28; E03C  
1/298; E03F 5/0407; E03F 5/042  
See application file for complete search history.

- (56) **References Cited**  
**U.S. PATENT DOCUMENTS**  
  - 1,522,053 A \* 1/1925 Griesemer ..... E02B 13/02  
137/613
  - 2,567,355 A \* 9/1951 Schmid ..... E03F 5/0407  
210/409

- 3,651,826 A \* 3/1972 Kojima ..... E03F 5/0407  
137/247.35
- D280,925 S \* 10/1985 Farnen ..... 137/247.29
- 5,341,523 A \* 8/1994 Barnes ..... E03F 5/0407  
137/362
- D529,144 S \* 9/2006 McAlpine ..... D23/268
- D580,530 S \* 11/2008 McAlpine ..... D23/268
- D644,305 S \* 8/2011 White ..... D23/266
- D647,598 S \* 10/2011 Matusche ..... D23/233
- D668,324 S \* 10/2012 Terry ..... D23/268
- D732,146 S \* 6/2015 Natrass ..... D23/261
- D745,115 S \* 12/2015 Kuang ..... D23/261
- D749,707 S \* 2/2016 Kuang ..... D23/263
- 2008/0072967 A1 \* 3/2008 Wen ..... E03C 1/298  
137/362
- 2010/0089838 A1 \* 4/2010 Soderstrom ..... E03F 5/042  
210/744
- 2016/0265673 A1 \* 9/2016 Character ..... E03F 5/0407

\* cited by examiner

*Primary Examiner* — Eric Goodman  
*Assistant Examiner* — Amy Wierenga  
(74) *Attorney, Agent, or Firm* — Fildes & Outland, P.C.

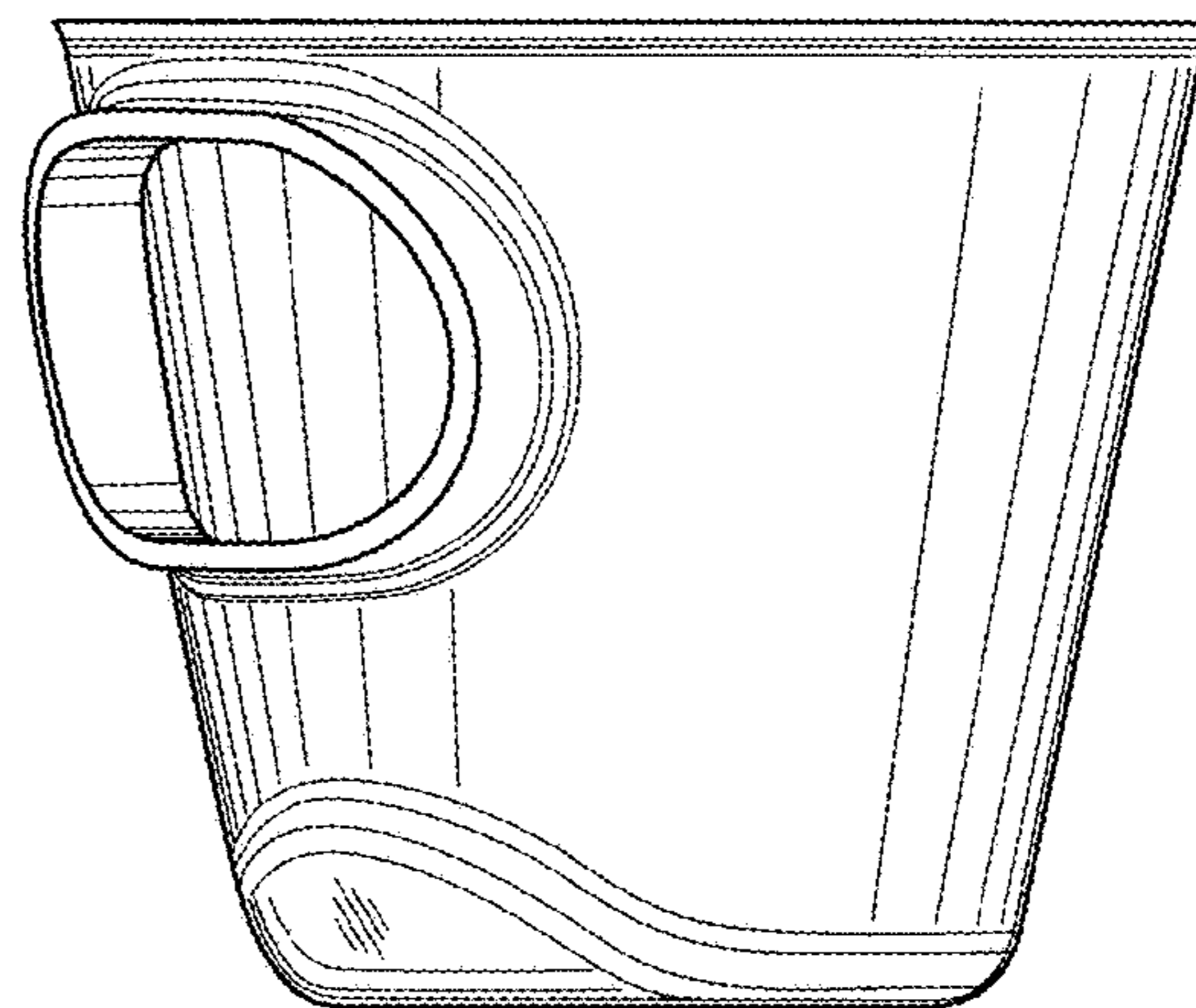
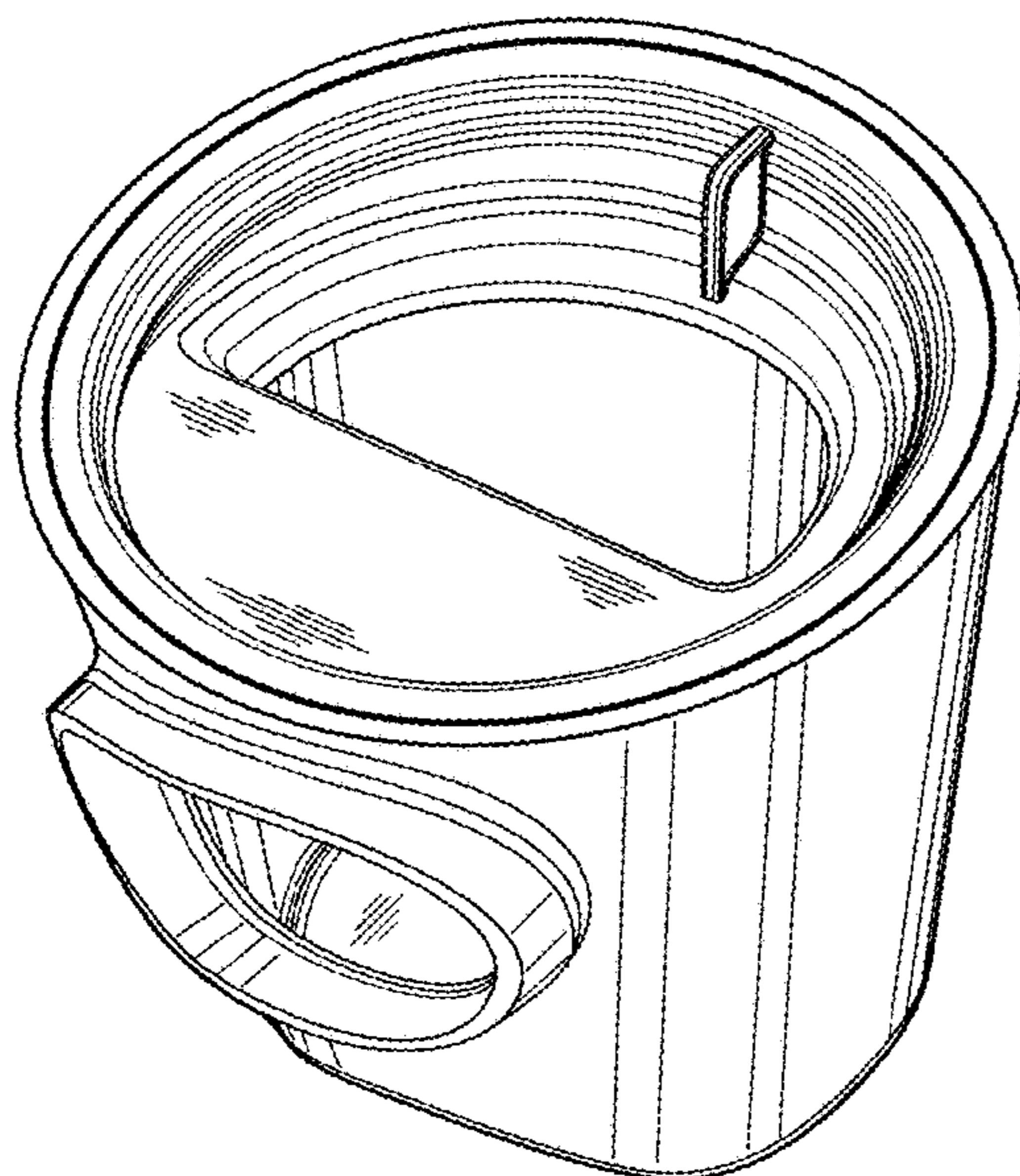
(57) **CLAIM**

The ornamental design for a floor drain, as shown and described.

**DESCRIPTION**

FIG. 1 is a top perspective view of a floor drain of our new design;  
FIG. 2 is a right view of the floor drain, the left side view being a mirror image; and,  
FIG. 3 is a top view of the floor drain.

**1 Claim, 3 Drawing Sheets**



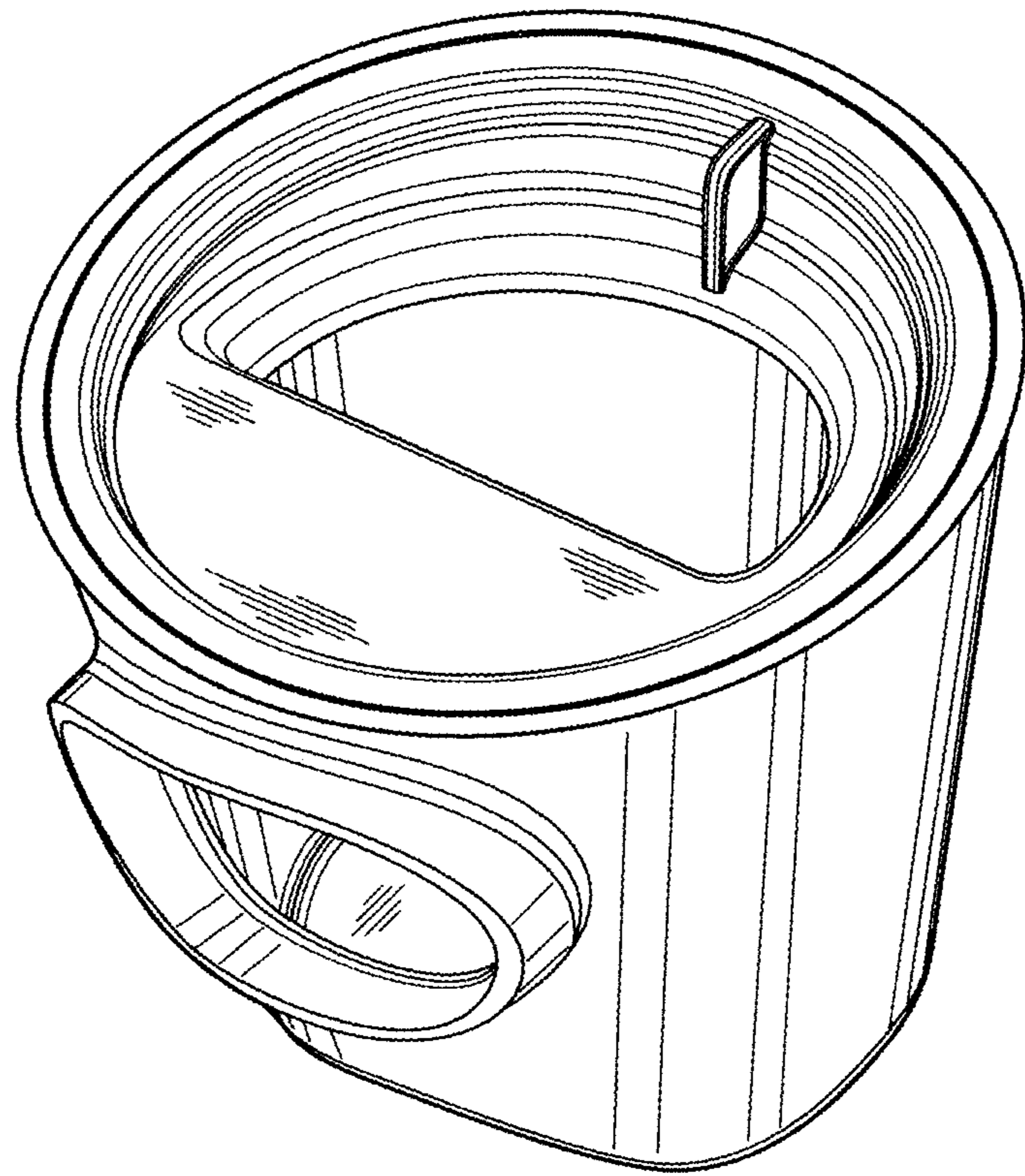


FIG. 1

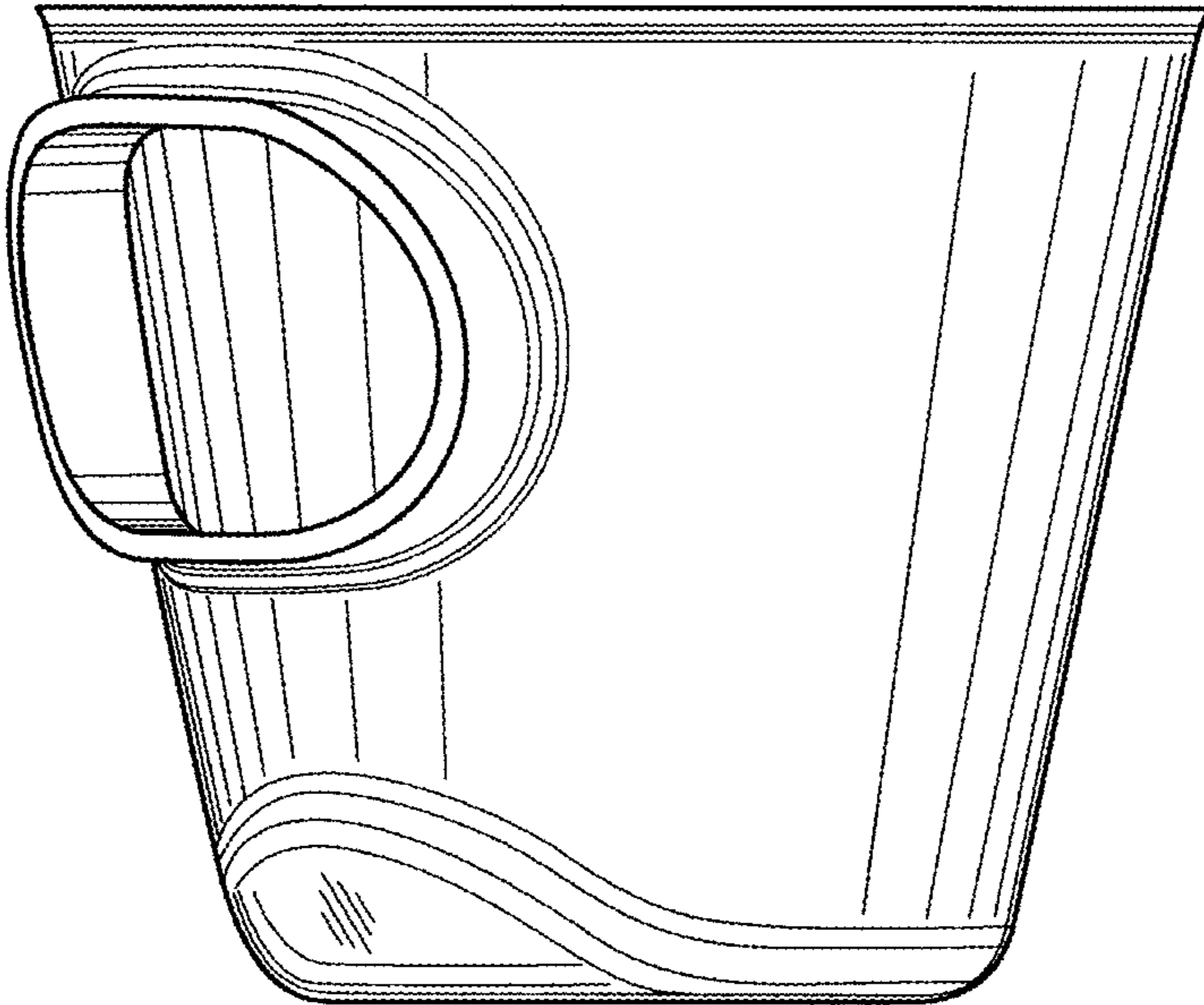


FIG. 2

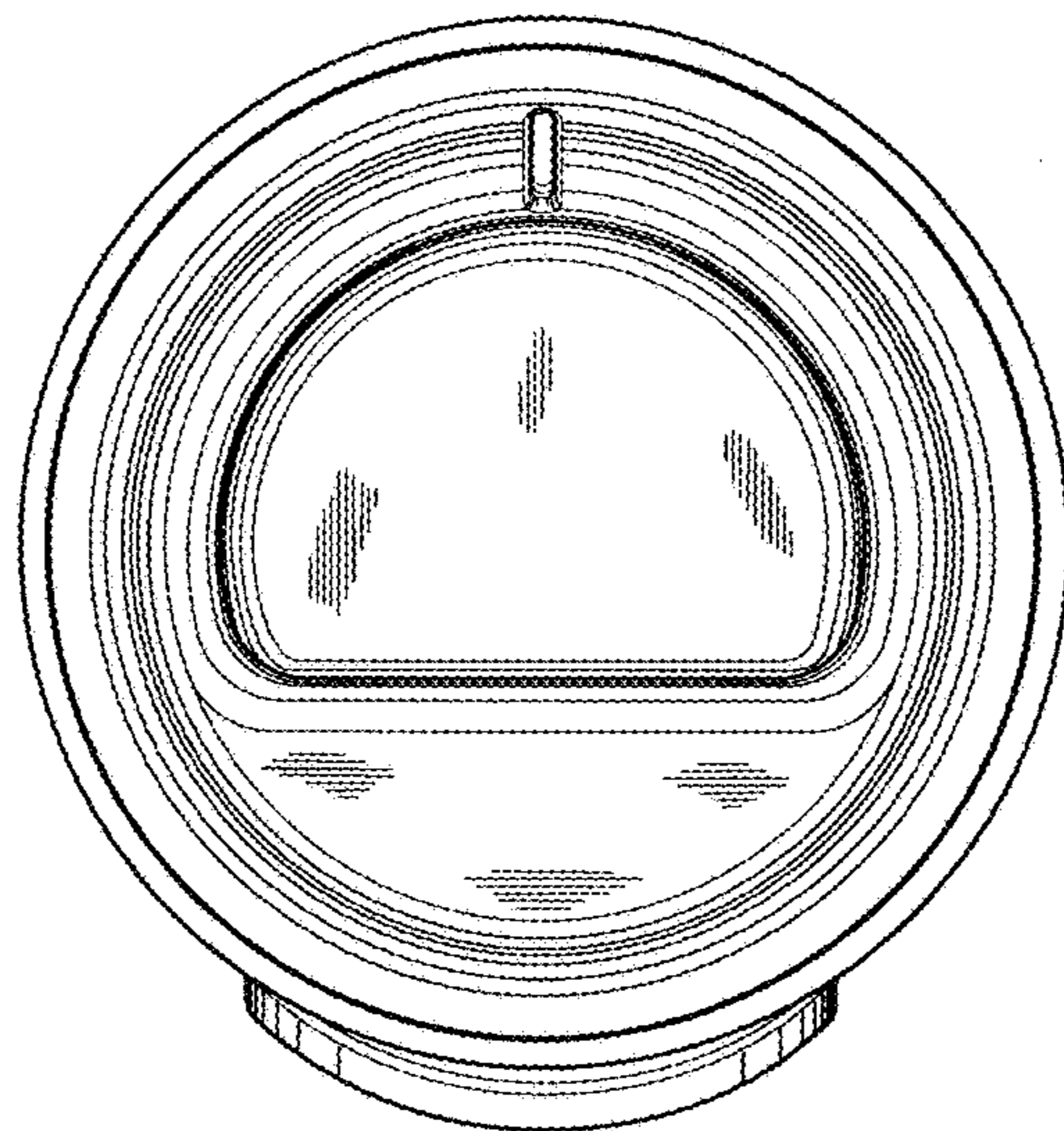


FIG. 3