

US00D800275S

(12) **United States Design Patent** (10) **Patent No.:** **US D800,275 S**
Andrew (45) **Date of Patent:** **** Oct. 17, 2017**

(54) **TUB SPOUT**

D678,986 S * 3/2013 Lord D23/255
D757,231 S * 5/2016 Garland D23/257
D782,013 S * 3/2017 Eads D23/255

(71) Applicant: **DELTA FAUCET COMPANY,**
Indianapolis, IN (US)

* cited by examiner

(72) Inventor: **Mercedita Andrew,** Indianapolis, IN
(US)

Primary Examiner — Robert A Delehanty

(73) Assignee: **DELTA FAUCET COMPANY,**
Indianapolis, IN (US)

(74) *Attorney, Agent, or Firm* — Edgar A. Zarins; Nirav
D. Parikh

(**) Term: **15 Years**

(57) **CLAIM**

(21) Appl. No.: **29/576,633**

The ornamental design for a tub spout, as shown and
described.

(22) Filed: **Sep. 6, 2016**

(51) **LOC (10) Cl.** **23-01**

DESCRIPTION

(52) **U.S. Cl.**

USPC **D23/257**

(58) **Field of Classification Search**

USPC D23/238, 241–243, 249, 255, 257

CPC E03C 1/02; E03C 1/023; E03C 1/0404;

E03C 1/0409; E03C 1/0412; E03C 1/05;

Y10T 137/9464; G05D 7/0629

See application file for complete search history.

FIG. 1 is a perspective view of a tub spout showing my new
design;
FIG. 2 is a front end view thereof;
FIG. 3 is a rear view thereof;
FIG. 4 is a top plan view thereof;
FIG. 5 is a right side view thereof, the opposite side being
a mirror image of the side shown; and,
FIG. 6 is a bottom view thereof.

The broken line showing an aperture is included for the
purpose of illustrating a portion of the tub spout and forms
no part of the claimed design.

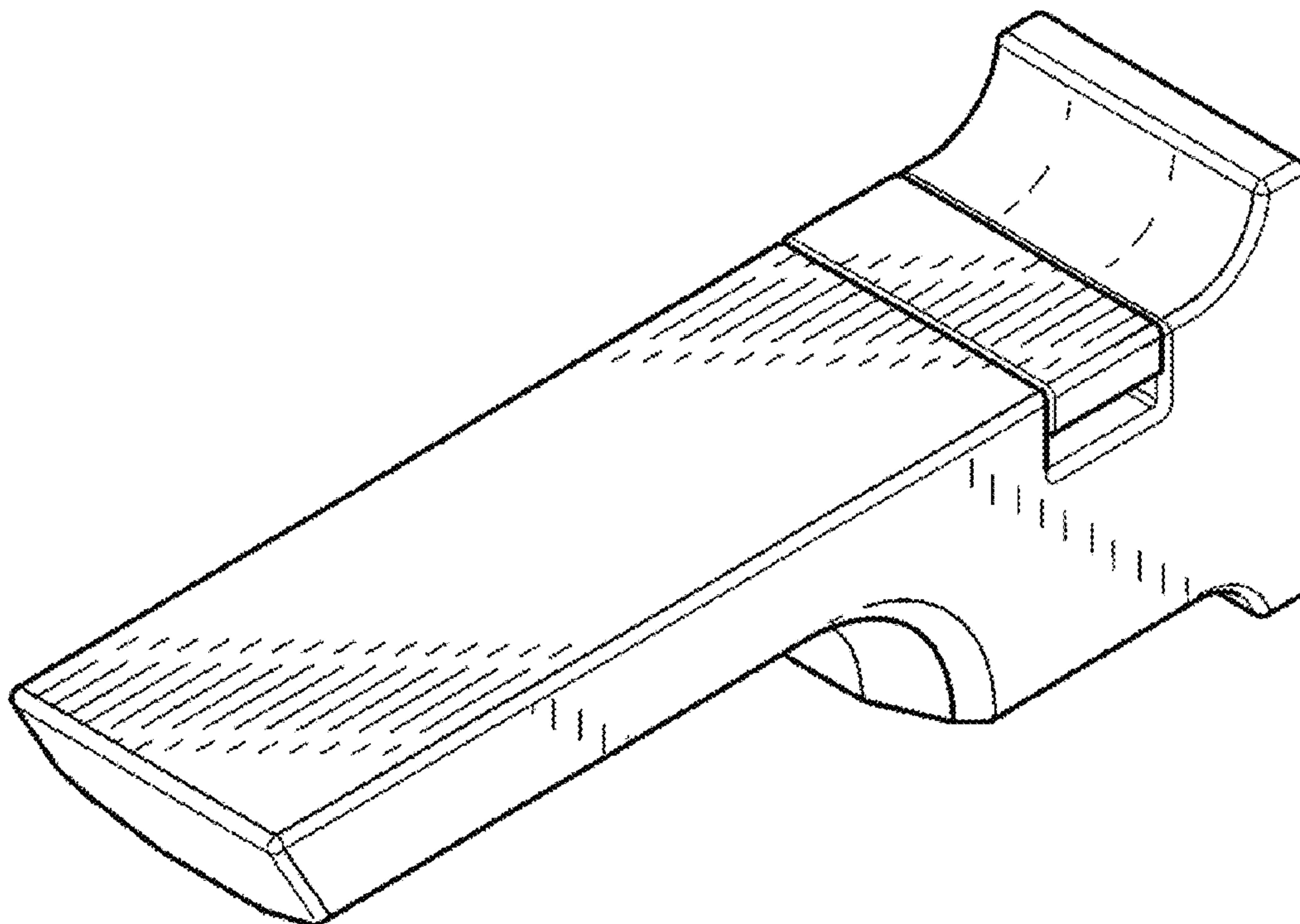
(56) **References Cited**

U.S. PATENT DOCUMENTS

D533,639 S * 12/2006 Hoernig D23/241

D557,384 S * 12/2007 Garner D23/255

1 Claim, 2 Drawing Sheets



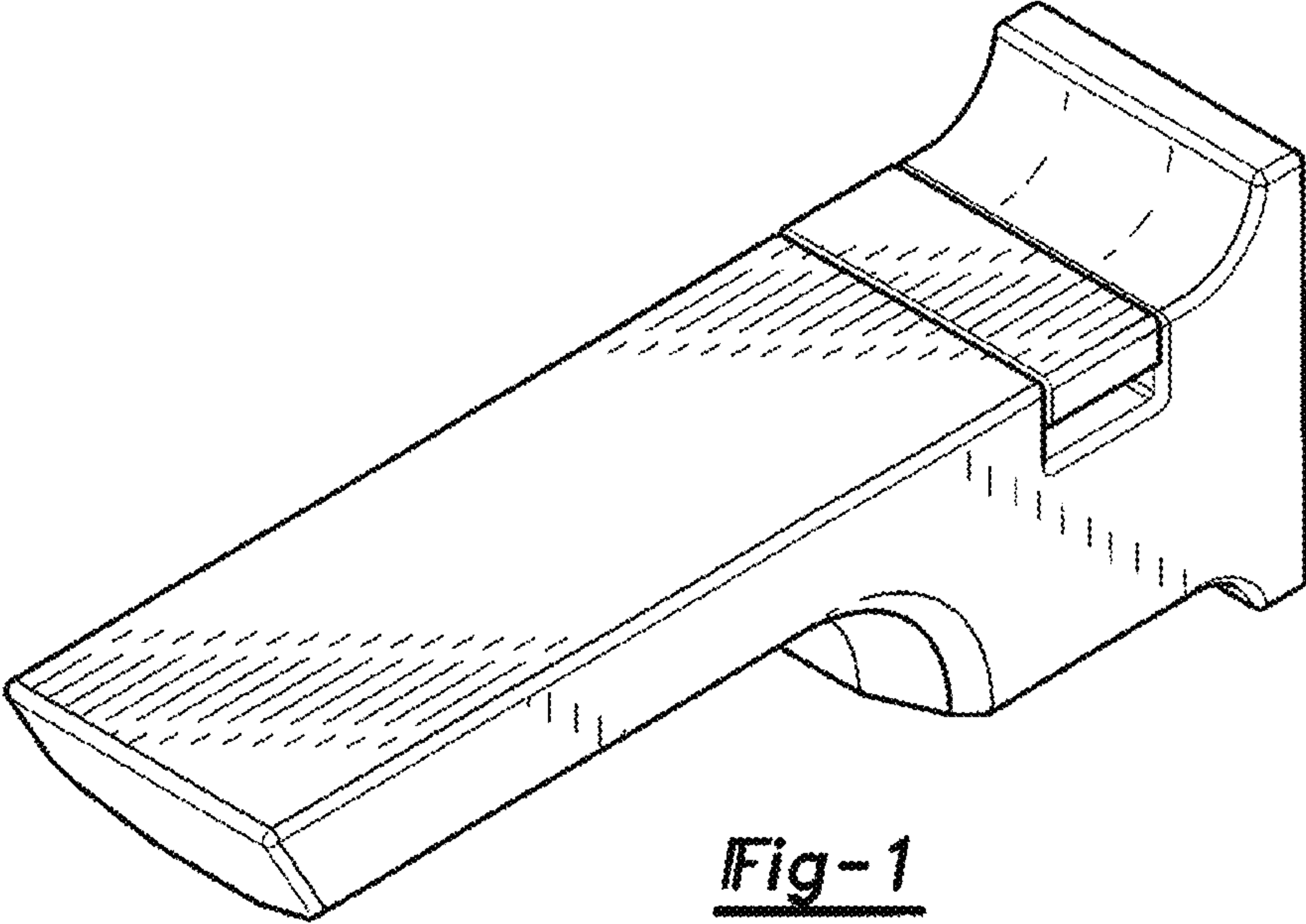


Fig-1

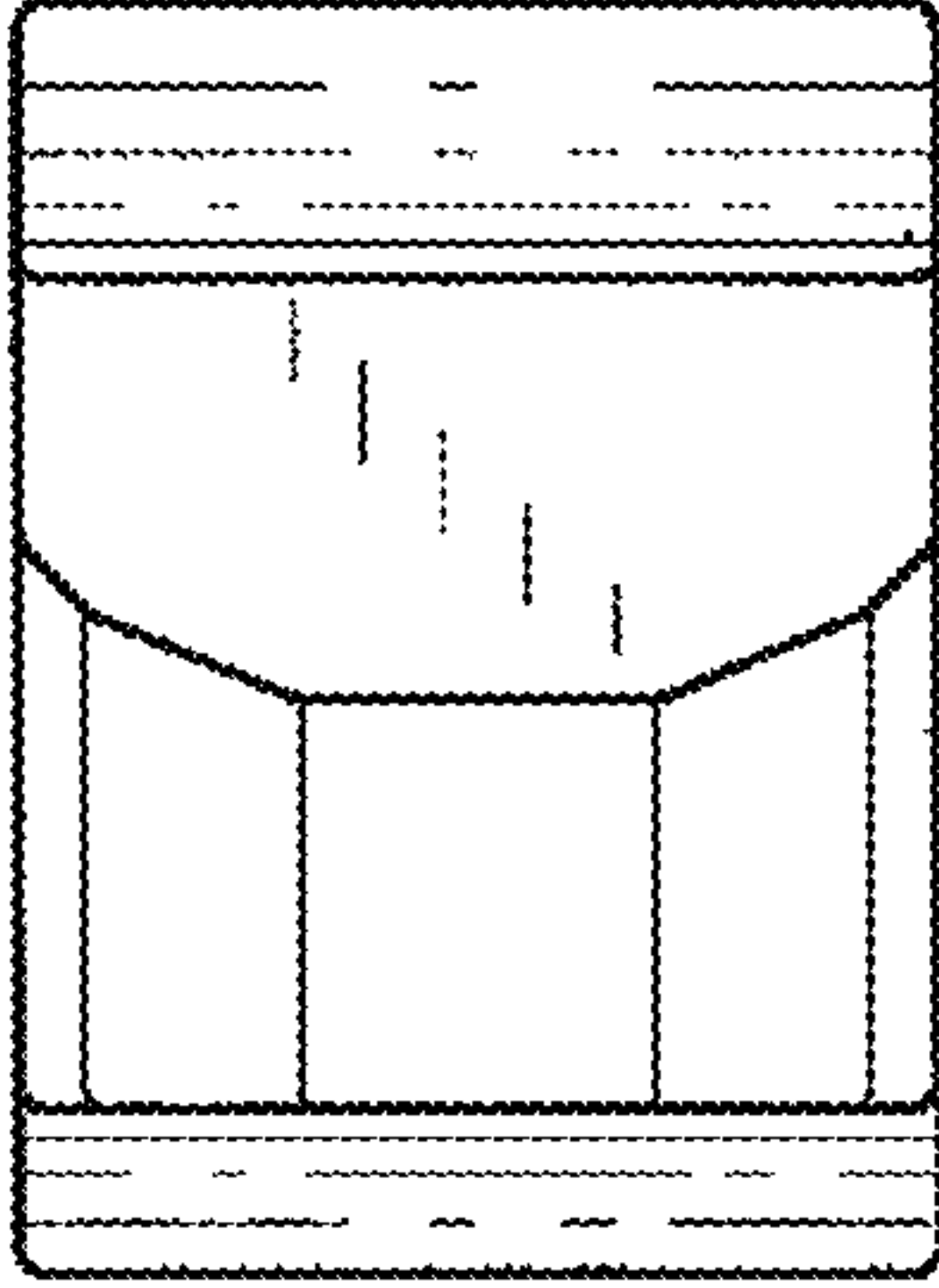


Fig-2

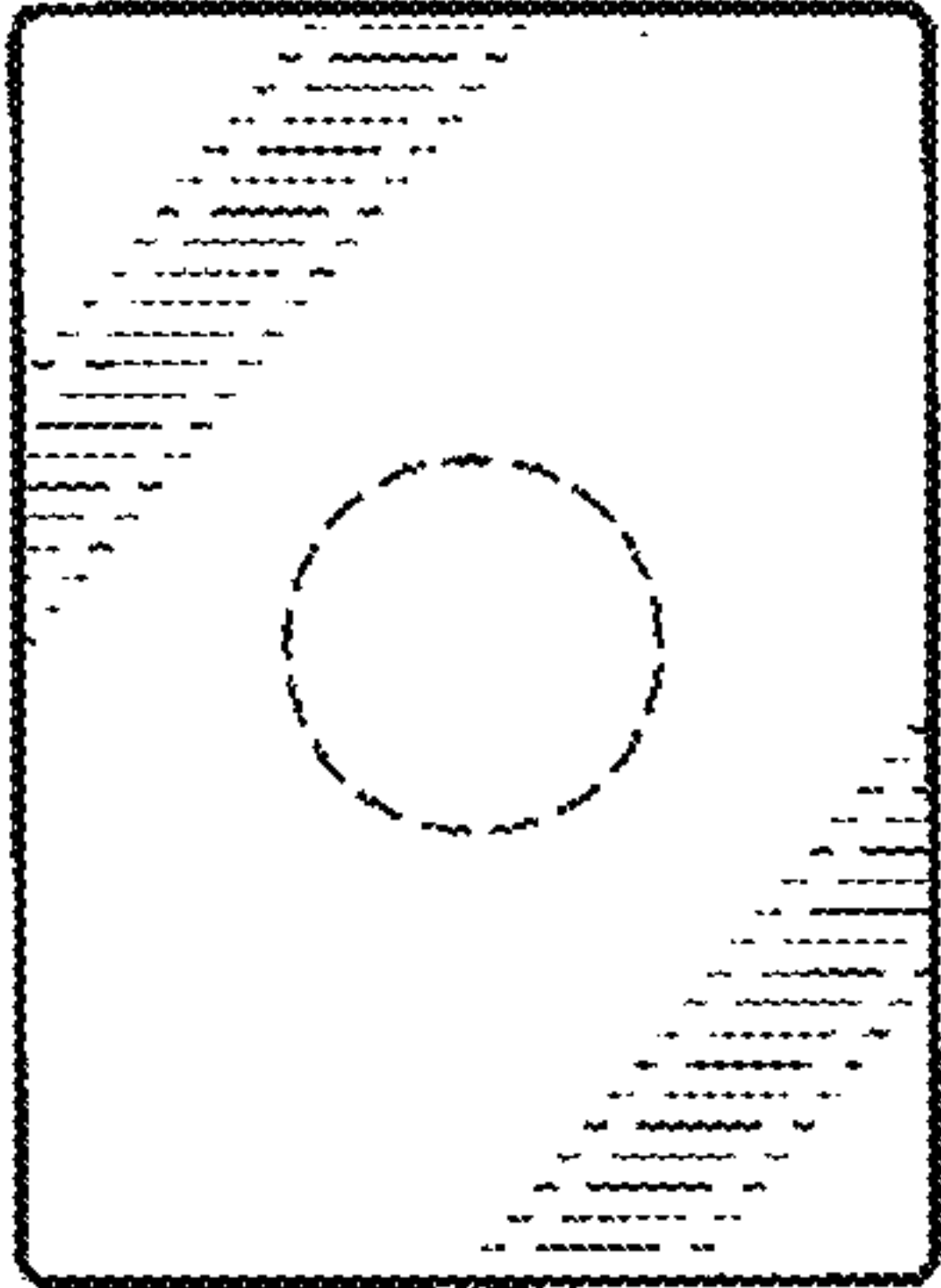


Fig-3

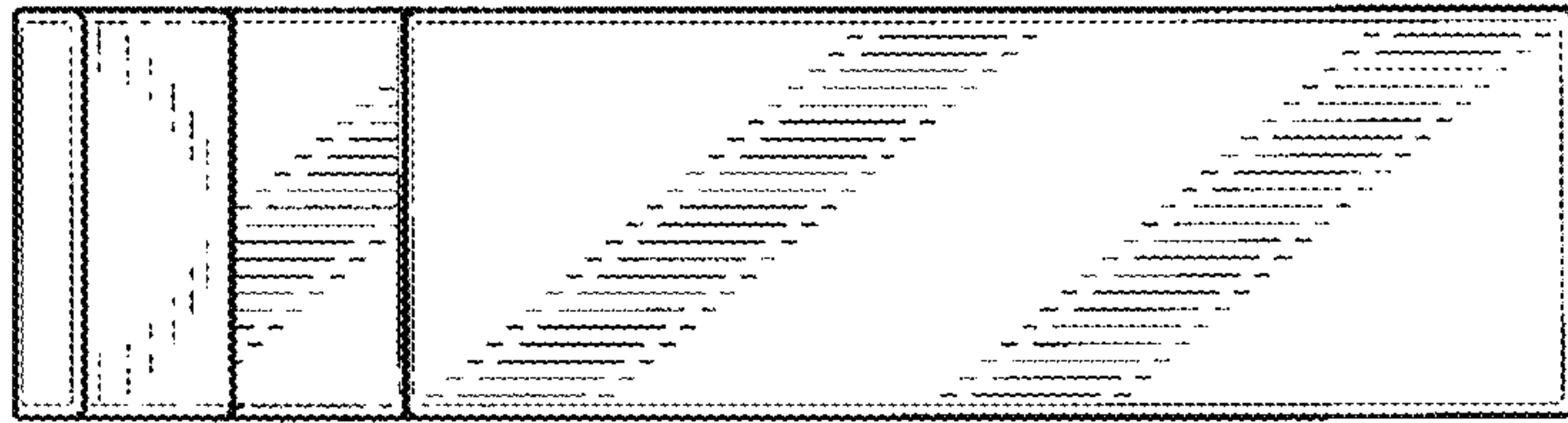


Fig-4

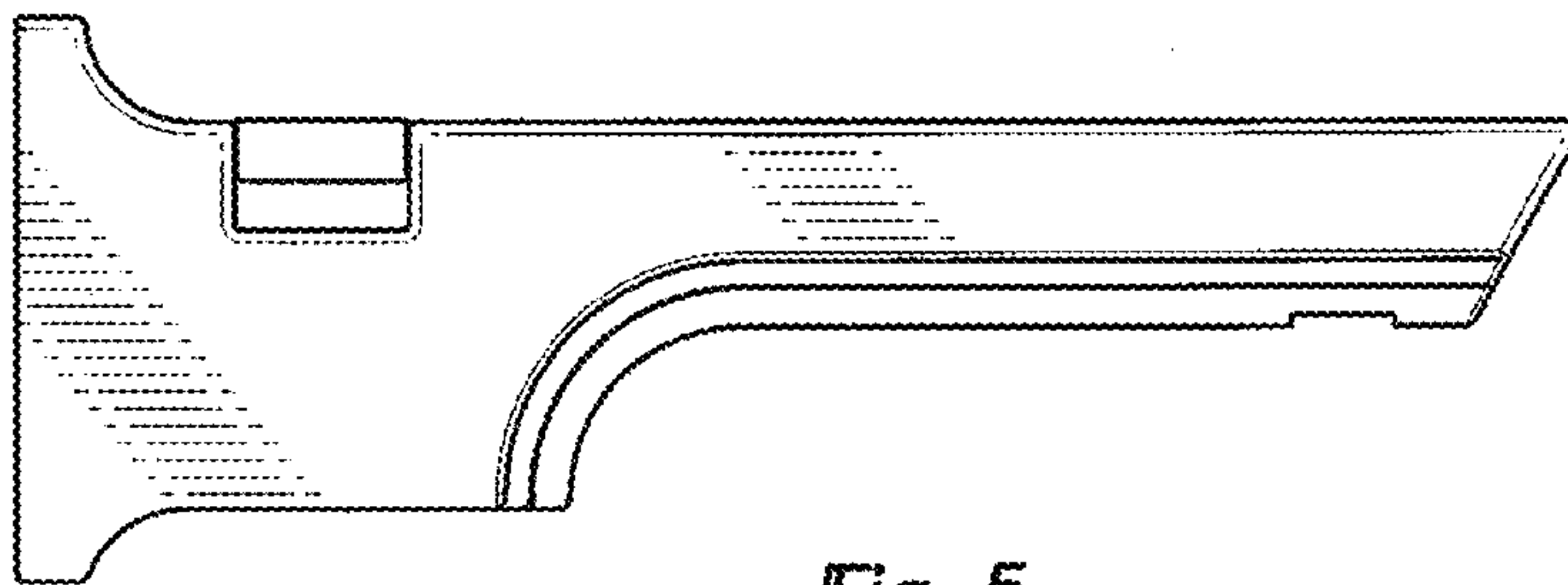


Fig-5

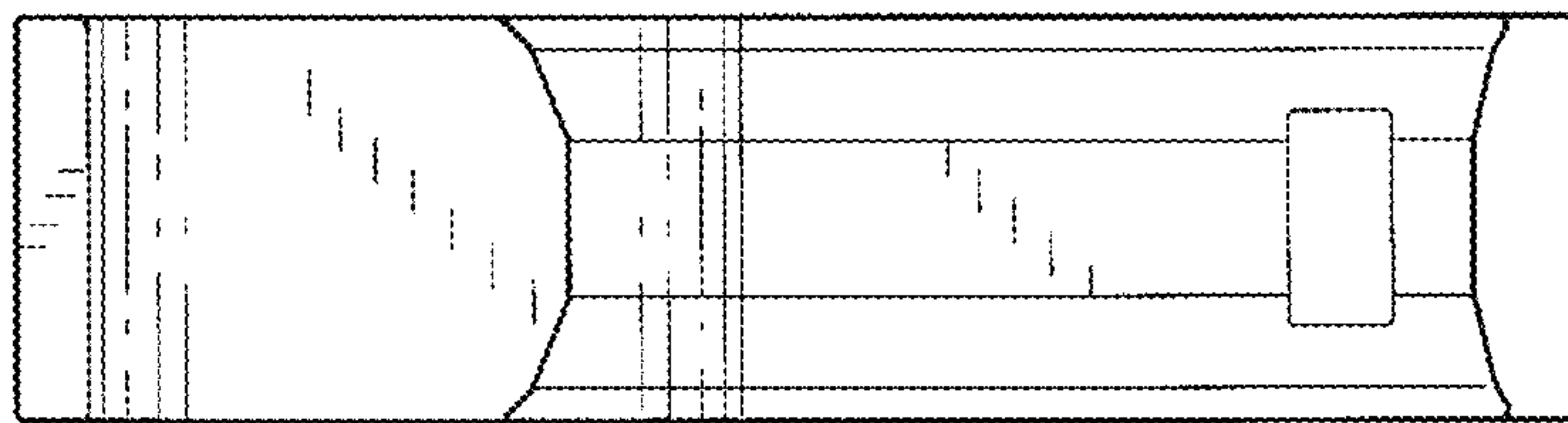


Fig-6