



US00D800272S

(12) **United States Design Patent**
Andrew

(10) **Patent No.:** **US D800,272 S**
(45) **Date of Patent:** **** Oct. 17, 2017**

(54) **FAUCET BODY**

D574,063 S * 7/2008 Tsai D23/255
D601,227 S * 9/2009 Sieger D23/242
D644,719 S * 9/2011 Vish D23/255

(71) Applicant: **DELTA FAUCET COMPANY,**
Indianapolis, IN (US)

* cited by examiner

(72) Inventor: **Mercedita Andrew,** Indianapolis, IN
(US)

Primary Examiner — Robert A Delehanty

(73) Assignee: **DELTA FAUCET COMPANY,**
Indianapolis, IN (US)

(74) *Attorney, Agent, or Firm* — Edgar A. Zarins; Nirav
D. Parikh

(**) Term: **15 Years**

(57) **CLAIM**

(21) Appl. No.: **29/577,739**

The ornamental design for a faucet body, as shown and
described.

(22) Filed: **Sep. 15, 2016**

(51) **LOC (10) Cl.** **23-01**

(52) **U.S. Cl.**

USPC **D23/255**

(58) **Field of Classification Search**

USPC D23/238, 241–243, 249, 255, 257

CPC E03C 1/02; E03C 1/023; E03C 1/0404;

E03C 1/0409; E03C 1/0412; E03C 1/05;

E03C 1/0401; E03C 1/0402; G05D

7/0629; Y10T 137/9464

See application file for complete search history.

DESCRIPTION

FIG. 1 is a perspective view of a faucet body showing my
new design;

FIG. 2 is a top plan view thereof;

FIG. 3 is a bottom view thereof;

FIG. 4 is a right side view thereof;

FIG. 5 is a left side view thereof;

FIG. 6 is a front elevational view thereof; and,

FIG. 7 is a rear view thereof.

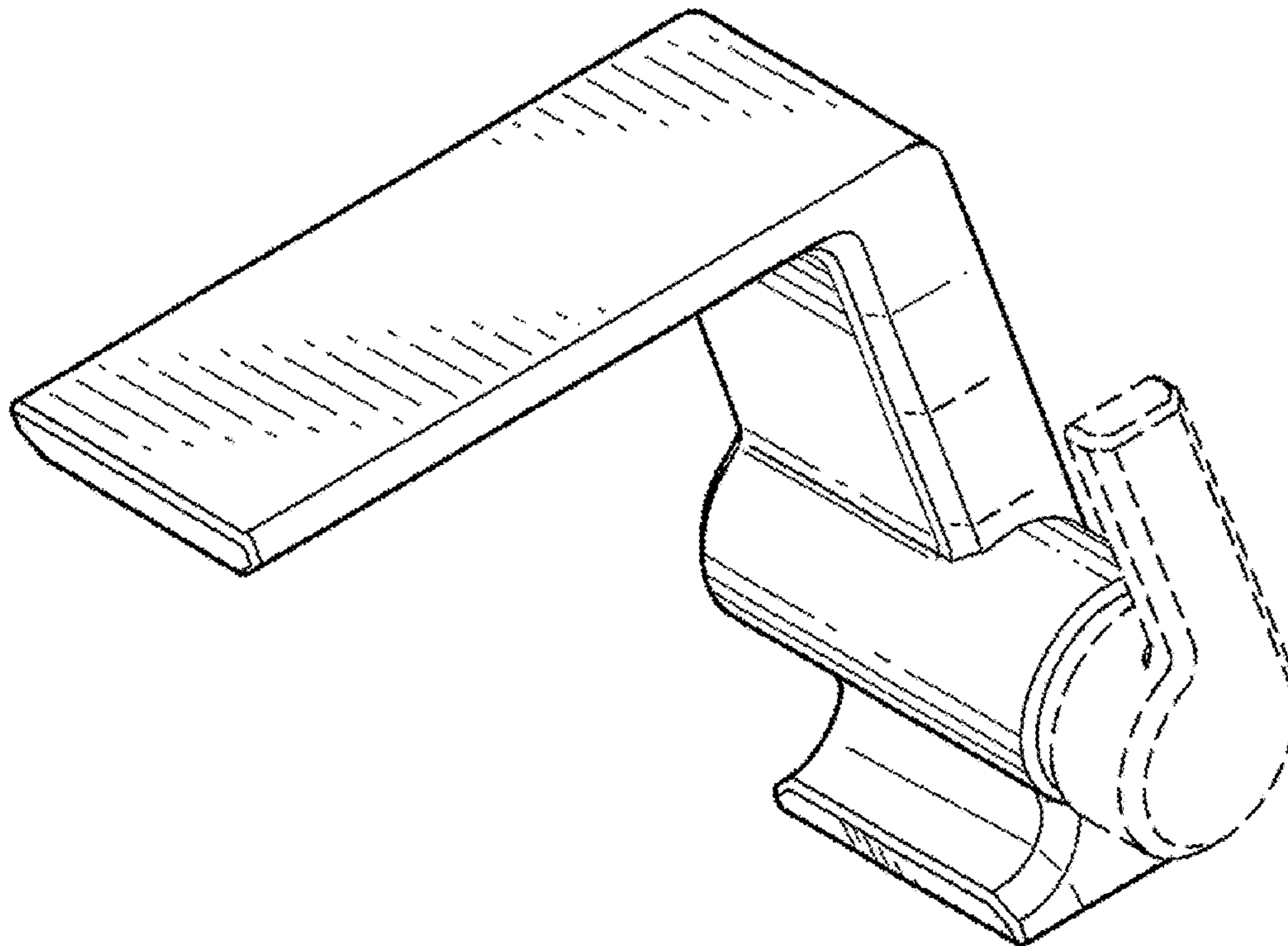
The broken lines showing of a faucet handle are included for
the purpose of illustrating a portion of the faucet and form
no part of the claimed design.

(56) **References Cited**

U.S. PATENT DOCUMENTS

D527,794 S * 9/2006 Sieger D23/238

1 Claim, 3 Drawing Sheets



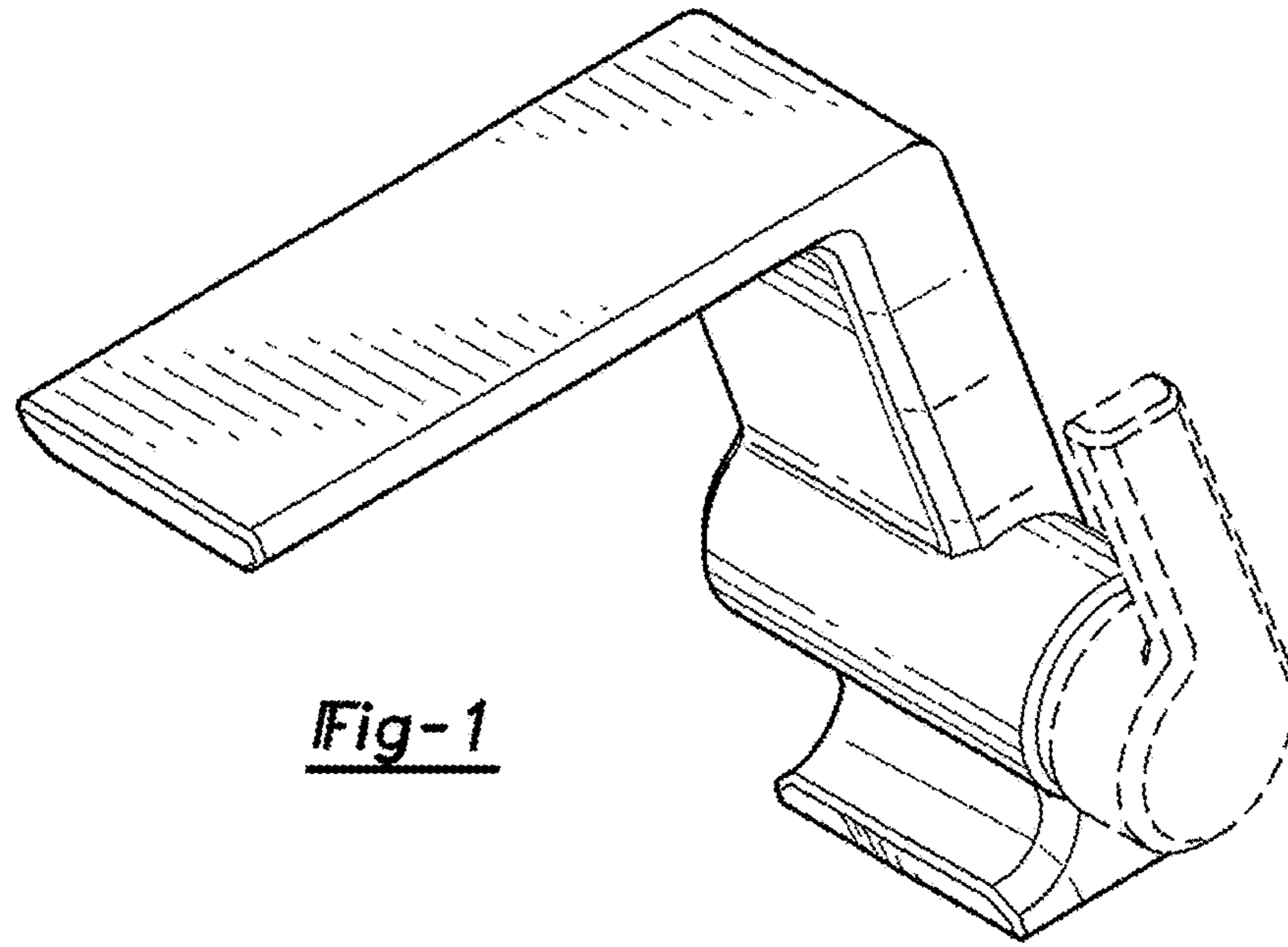


Fig-1

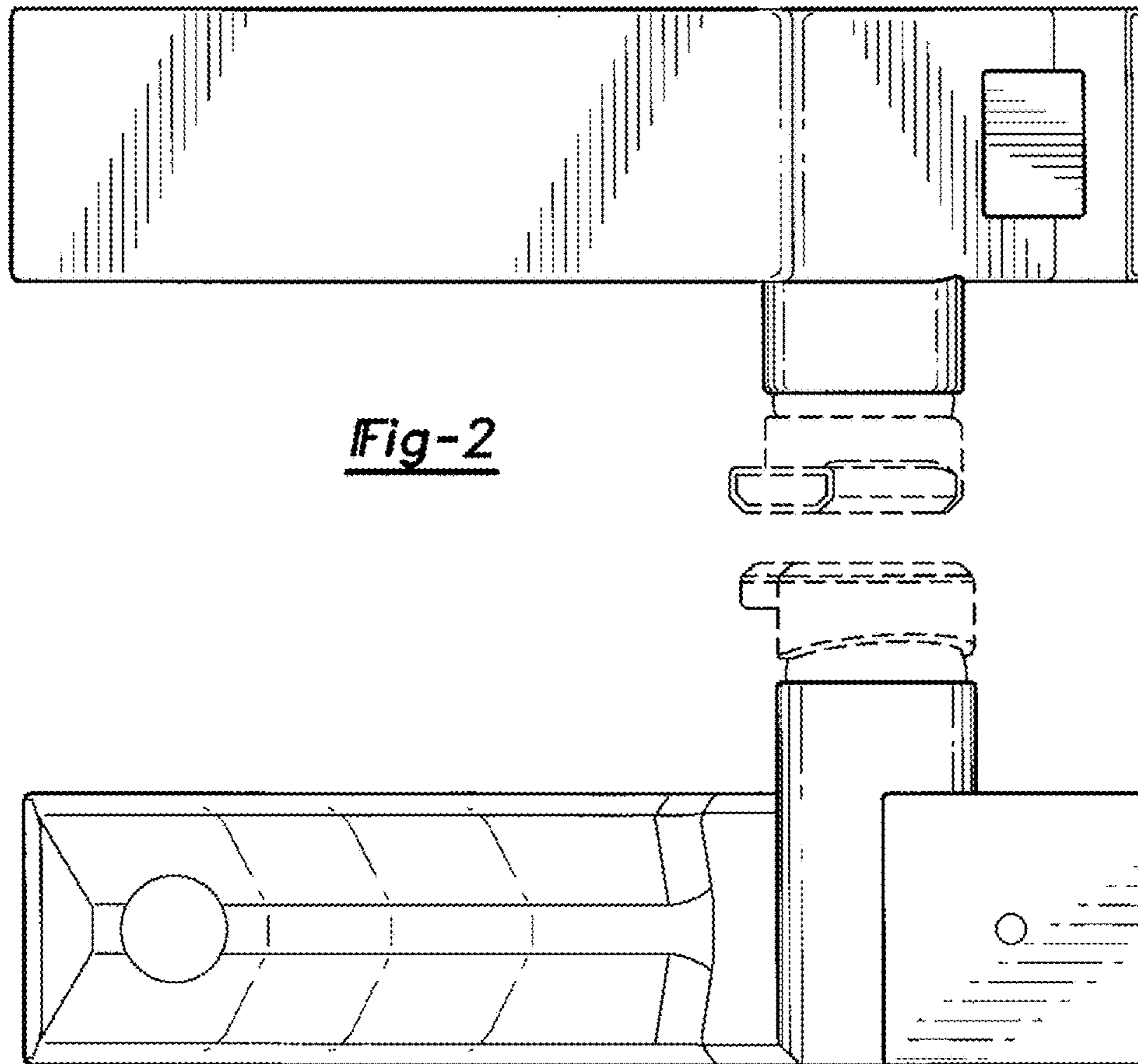


Fig-2

Fig-3

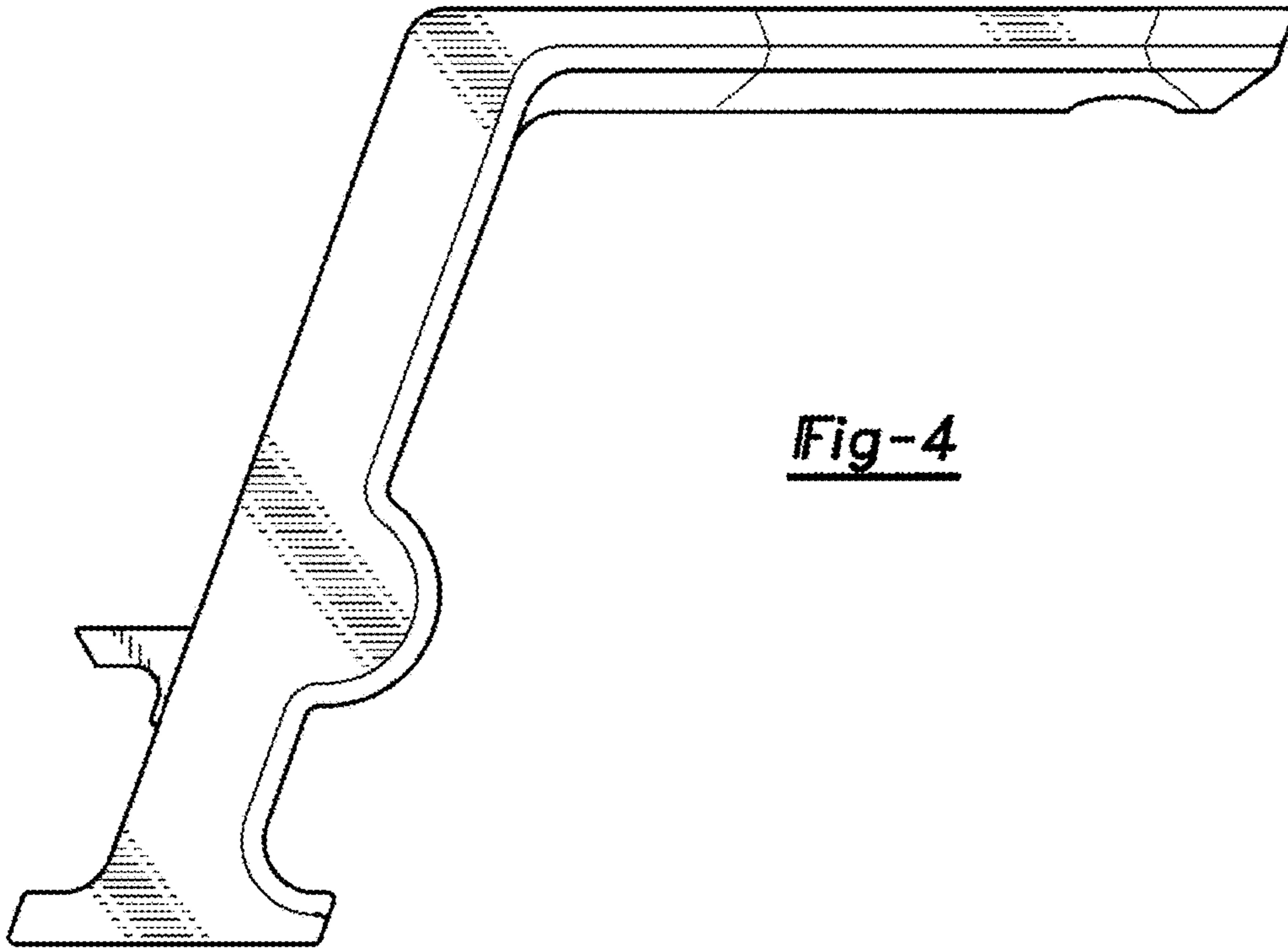


Fig-4

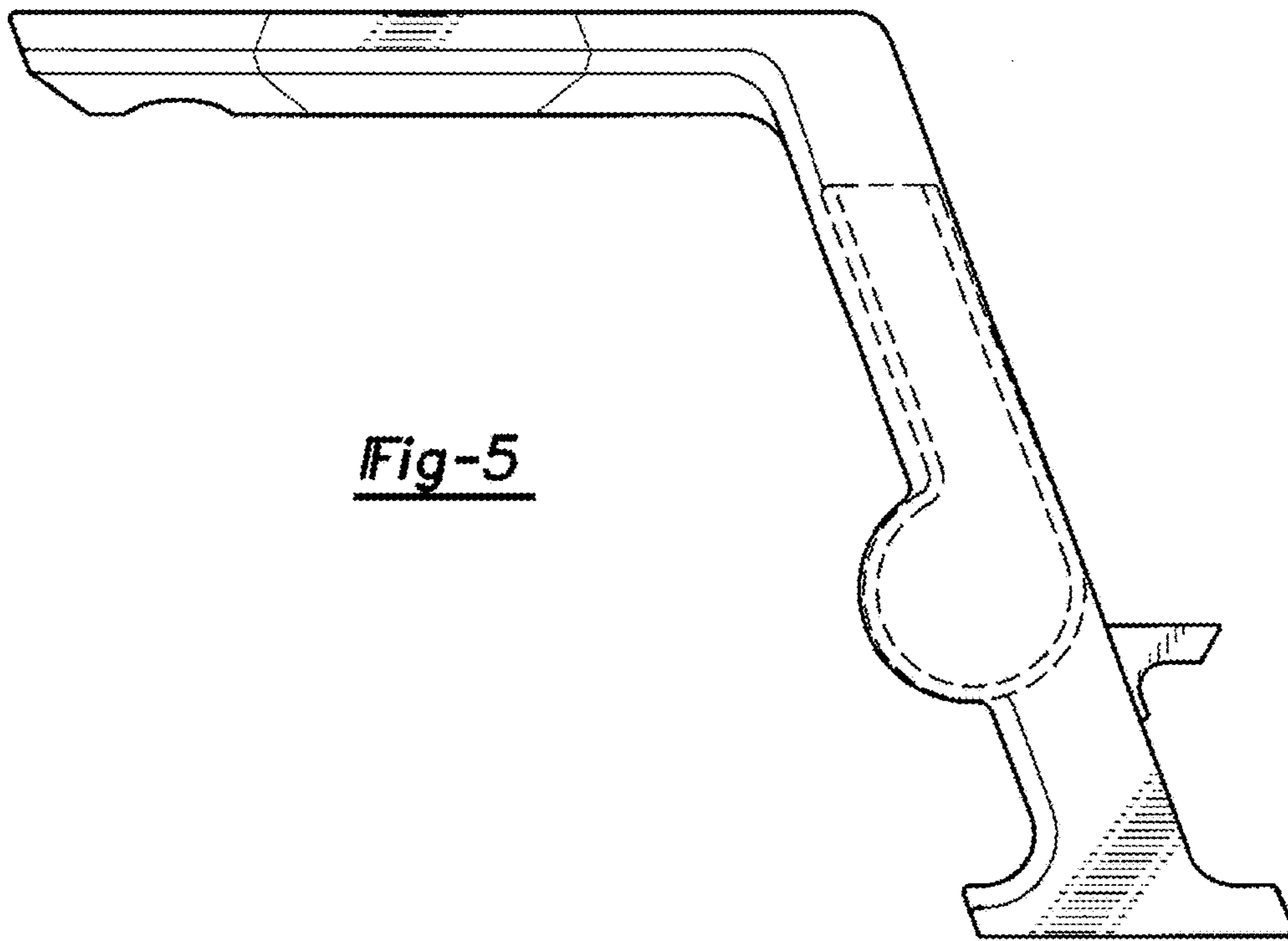


Fig-5

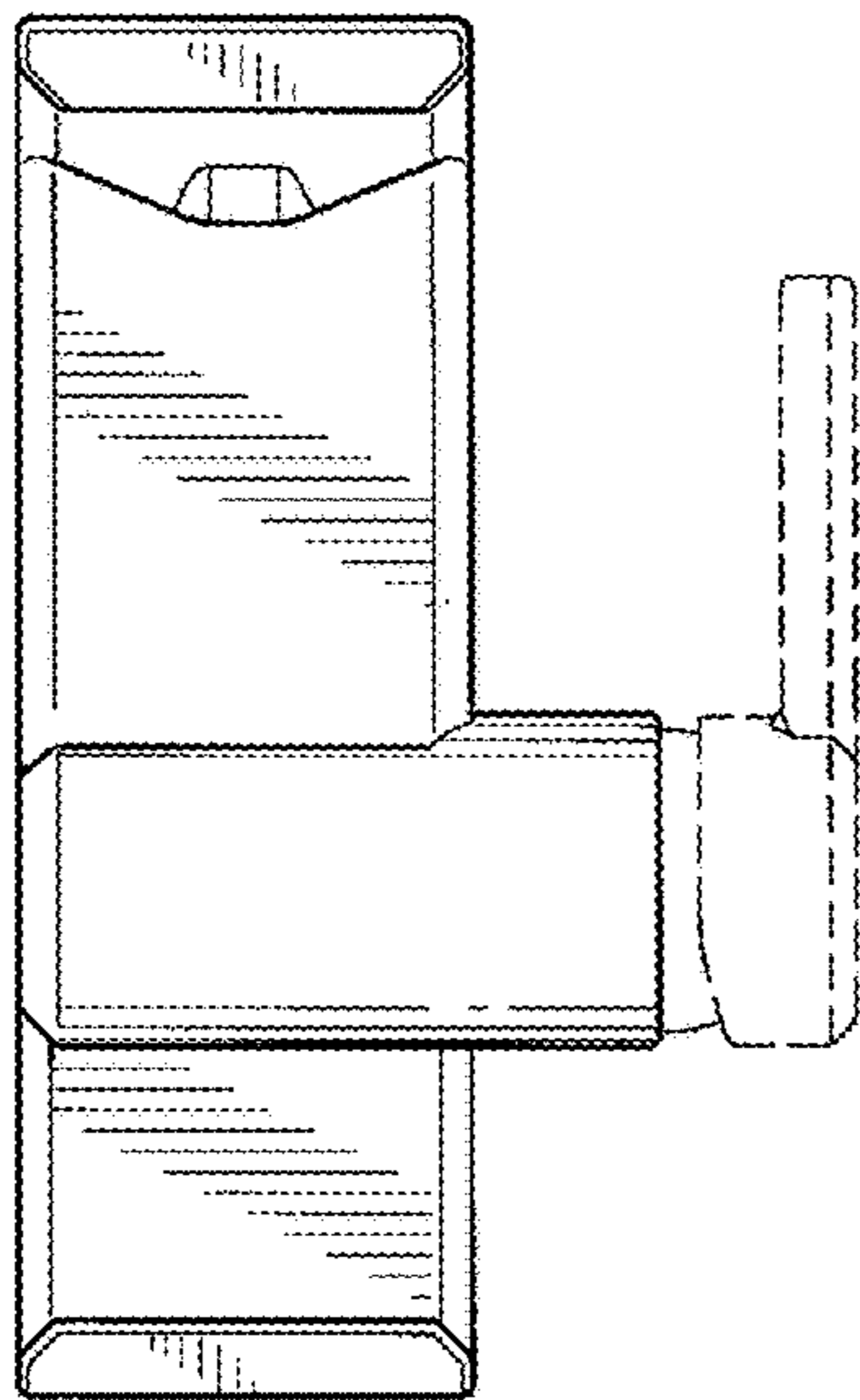


Fig-6

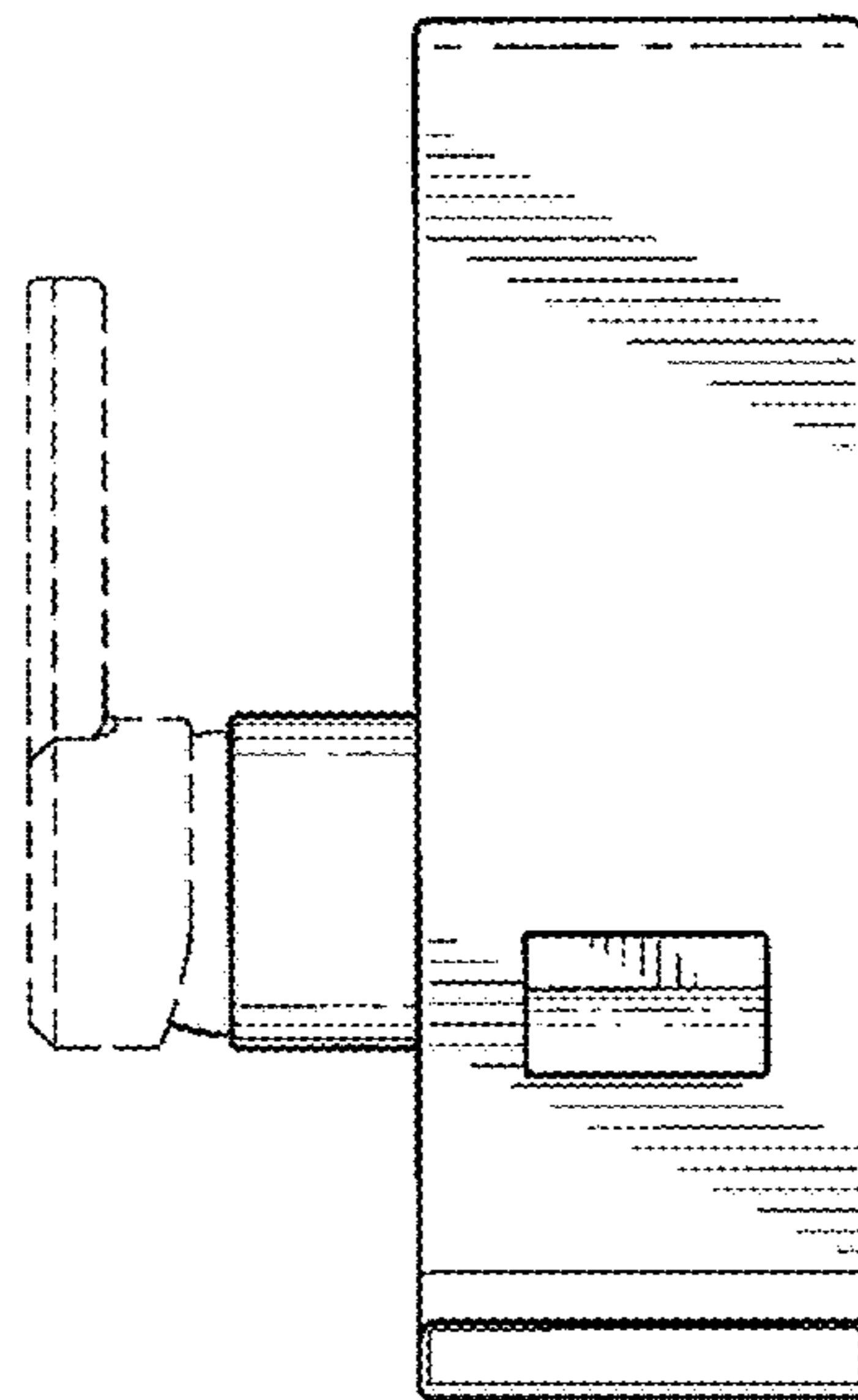


Fig-7