



US00D800270S

(12) **United States Design Patent** (10) **Patent No.:** **US D800,270 S**
Andrew (45) **Date of Patent:** **** Oct. 17, 2017**

(54) **FAUCET HANDLE**

(71) Applicant: **DELTA FAUCET COMPANY,**
Indianapolis, IN (US)

(72) Inventor: **Mercedita Andrew,** Indianapolis, IN
(US)

(73) Assignee: **DELTA FAUCET COMPANY,**
Indianapolis, IN (US)

(**) Term: **15 Years**

(21) Appl. No.: **29/577,741**

(22) Filed: **Sep. 15, 2016**

(51) **LOC (10) Cl.** **23-01**

(52) **U.S. Cl.**

USPC **D23/252**

(58) **Field of Classification Search**

USPC D23/238, 241–243, 249–250, 252, 254;
D8/107–108

CPC Y10T 137/9464; E03C 1/02; E03C 1/023;
E03C 1/0404; E03C 1/0409; E03C
1/0412; E03C 1/05; E03C 1/0401; E03C
1/0402; G05D 7/0629

See application file for complete search history.

(56) **References Cited**

U.S. PATENT DOCUMENTS

D527,794 S * 9/2006 Sieger D23/238
D692,104 S * 10/2013 Gessi D23/238
D754,295 S * 4/2016 Lord D23/238
D769,417 S * 10/2016 Rexach D23/238
D770,597 S * 11/2016 Eads D23/252

* cited by examiner

Primary Examiner — Robert A Delehanty

(74) *Attorney, Agent, or Firm* — Edgar A. Zarins; Nirav
D. Parikh

(57) **CLAIM**

The ornamental design for a faucet handle, as shown and
described.

DESCRIPTION

FIG. 1 is a perspective view of a faucet handle showing my
new design;

FIG. 2 is a top plan view thereof;

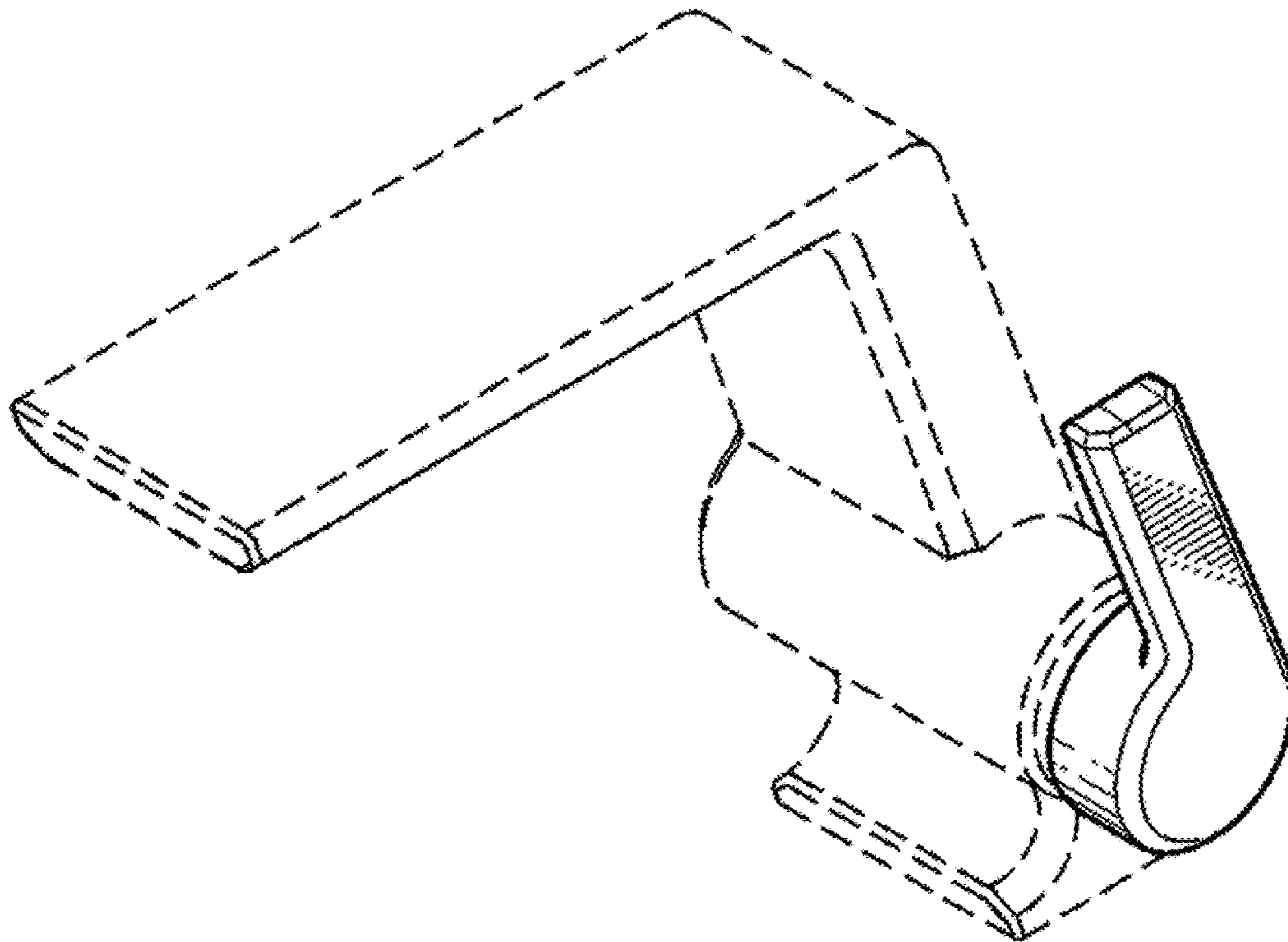
FIG. 3 is a side view thereof;

FIG. 4 is a bottom view thereof;

FIG. 5 is a front elevational view thereof; and,

FIG. 6 is a rear view thereof.

1 Claim, 1 Drawing Sheet



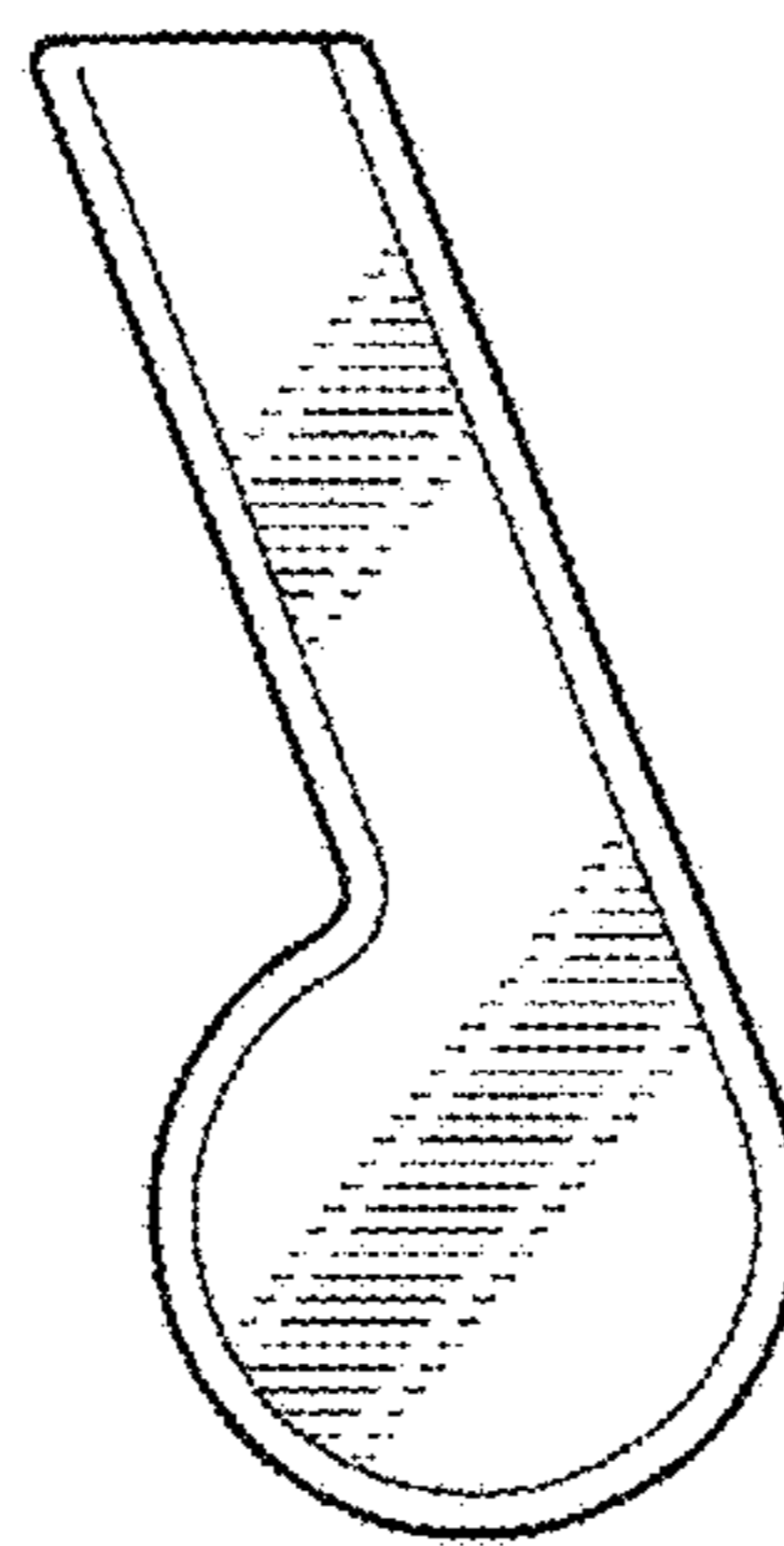
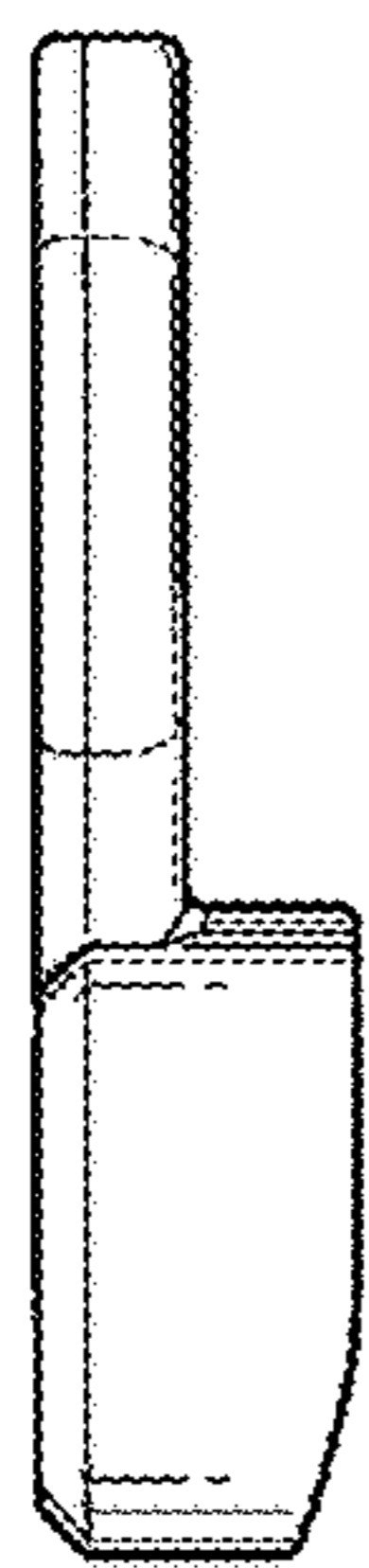
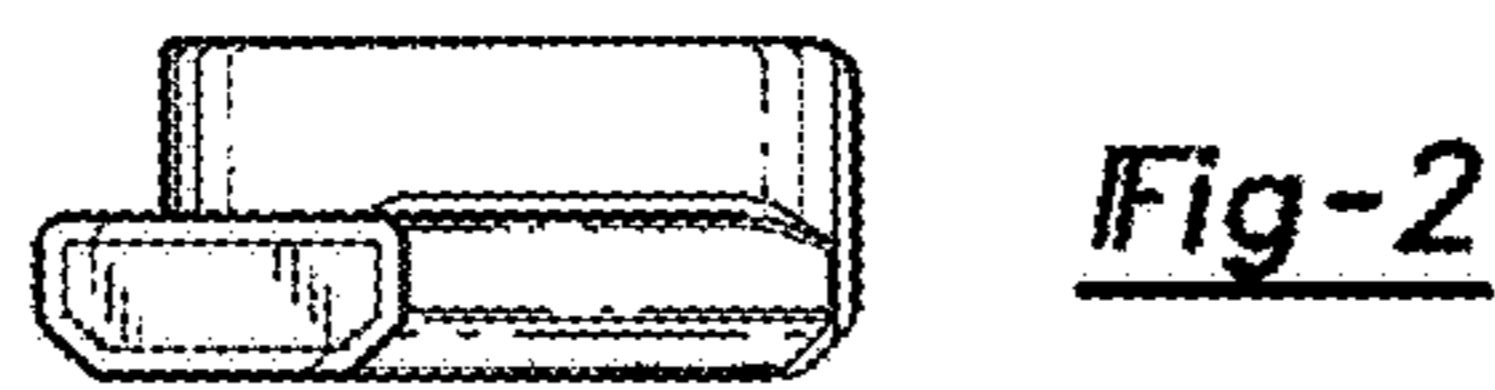
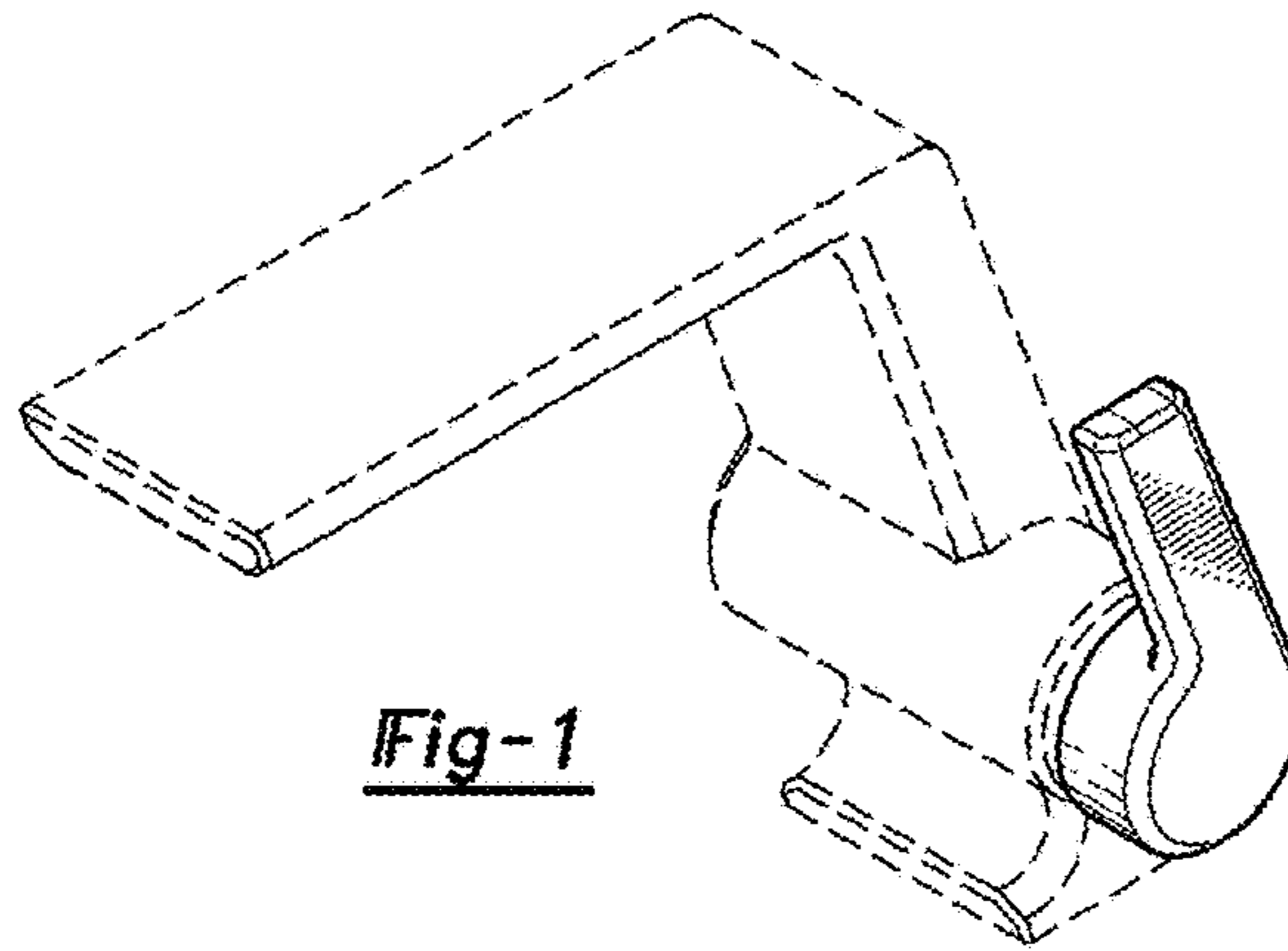


Fig-5

Fig-3

Fig-6

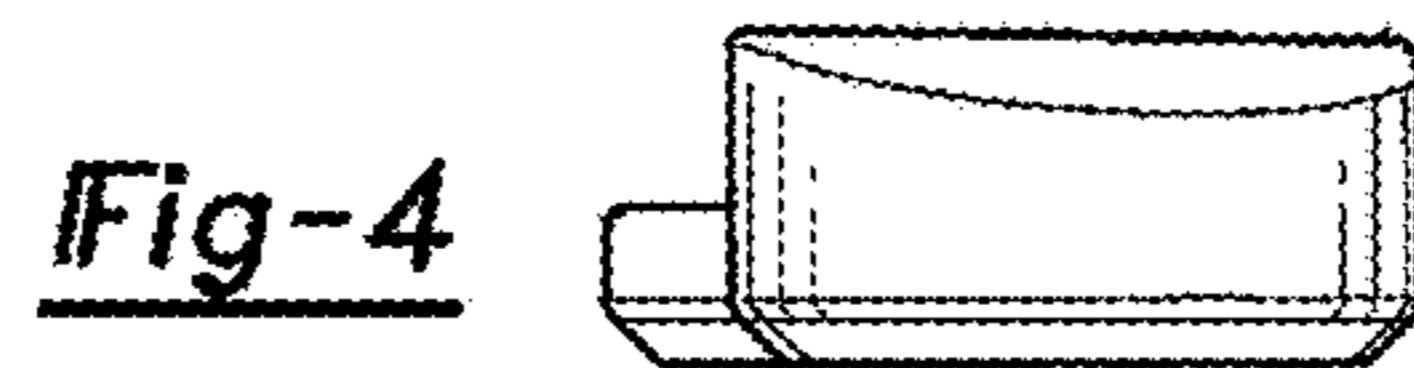


Fig-4