



US00D800267S

(12) **United States Design Patent** (10) **Patent No.:** **US D800,267 S**  
**Fritz** (45) **Date of Patent:** **\*\* Oct. 17, 2017**

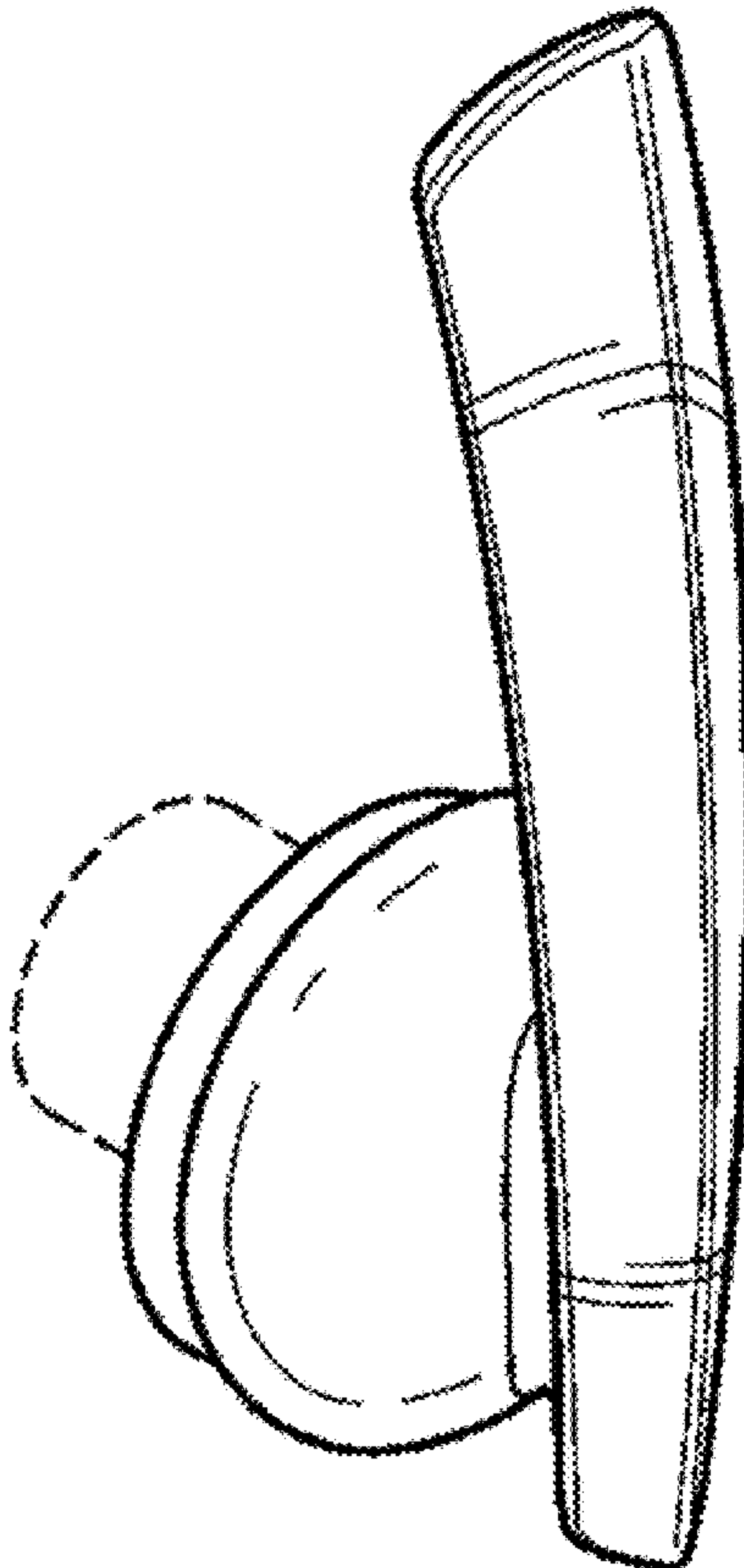
(54) **FAUCET HANDLE**  
(71) Applicant: **DELTA FAUCET COMPANY,**  
Indianapolis, IN (US)  
(72) Inventor: **Seth Fritz,** Carmel, IN (US)  
(73) Assignee: **DELTA FAUCET COMPANY,**  
Indianapolis, IN (US)  
(\*\*) Term: **15 Years**  
(21) Appl. No.: **29/555,395**  
(22) Filed: **Feb. 22, 2016**  
(51) **LOC (10) Cl.** ..... **23-01**  
(52) **U.S. Cl.**  
USPC ..... **D23/252**  
(58) **Field of Classification Search**  
USPC ..... D23/238-243, 250, 252, 254, 245;  
D8/300, 307-308, 310  
CPC . E03C 1/00; E03C 1/04; E03C 1/0401; E03C  
1/0402; E03C 1/0404; E03C 1/02; E03C  
1/021; E03C 1/0403; F16K 27/06; F16K  
27/067; F16K 27/0657  
See application file for complete search history.

(56) **References Cited**  
U.S. PATENT DOCUMENTS  
D438,935 S \* 3/2001 Mark ..... D23/238  
D532,869 S \* 11/2006 Lobermeier ..... D23/238  
\* cited by examiner  
*Primary Examiner* — Robert A Delehanty  
(74) *Attorney, Agent, or Firm* — Edgar A. Zarins; Nirav  
D. Parikh

(57) **CLAIM**  
The ornamental design for a faucet handle, as shown and  
described.

**DESCRIPTION**  
FIG. 1 is a perspective view of a faucet handle showing my  
new design;  
FIG. 2 is a first side view thereof, the opposite side being a  
mirror image of the side shown;  
FIG. 3 is a front view thereof;  
FIG. 4 is a first end view thereof; and,  
FIG. 5 is a second end view thereof.  
The broken lines showing a hub are included for the purpose  
of illustrating a portion of the faucet handle and form no part  
of the claimed design.

**1 Claim, 1 Drawing Sheet**



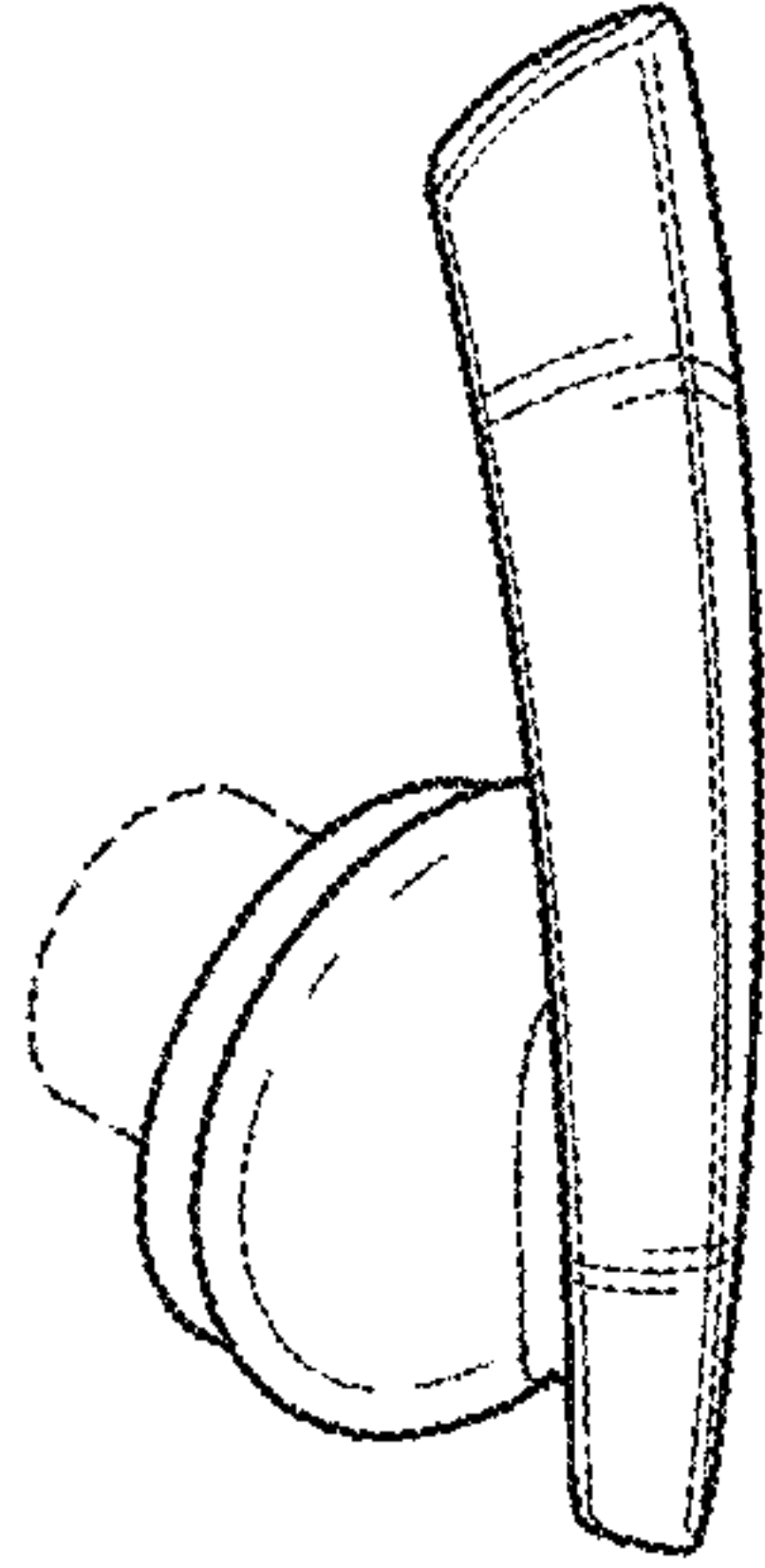


Fig-1

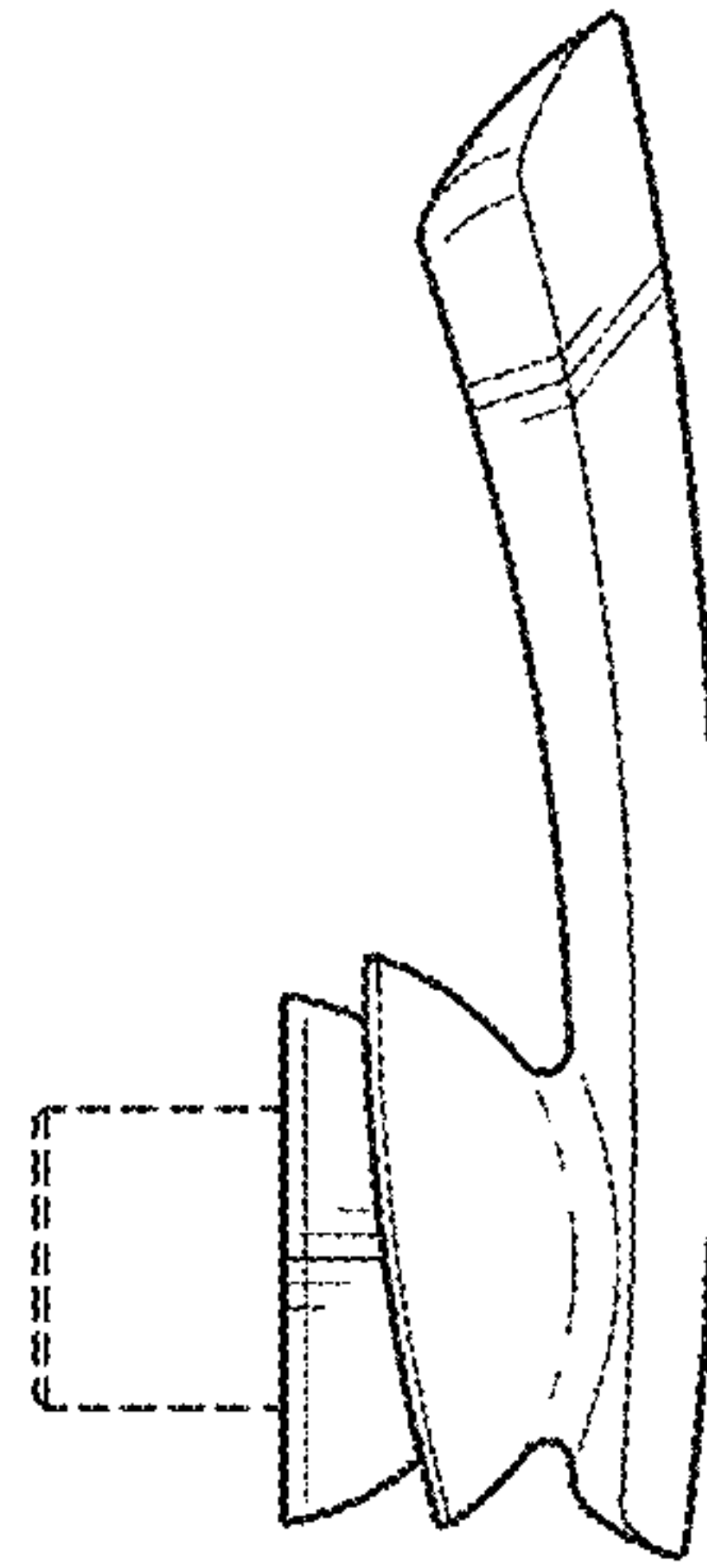


Fig-2

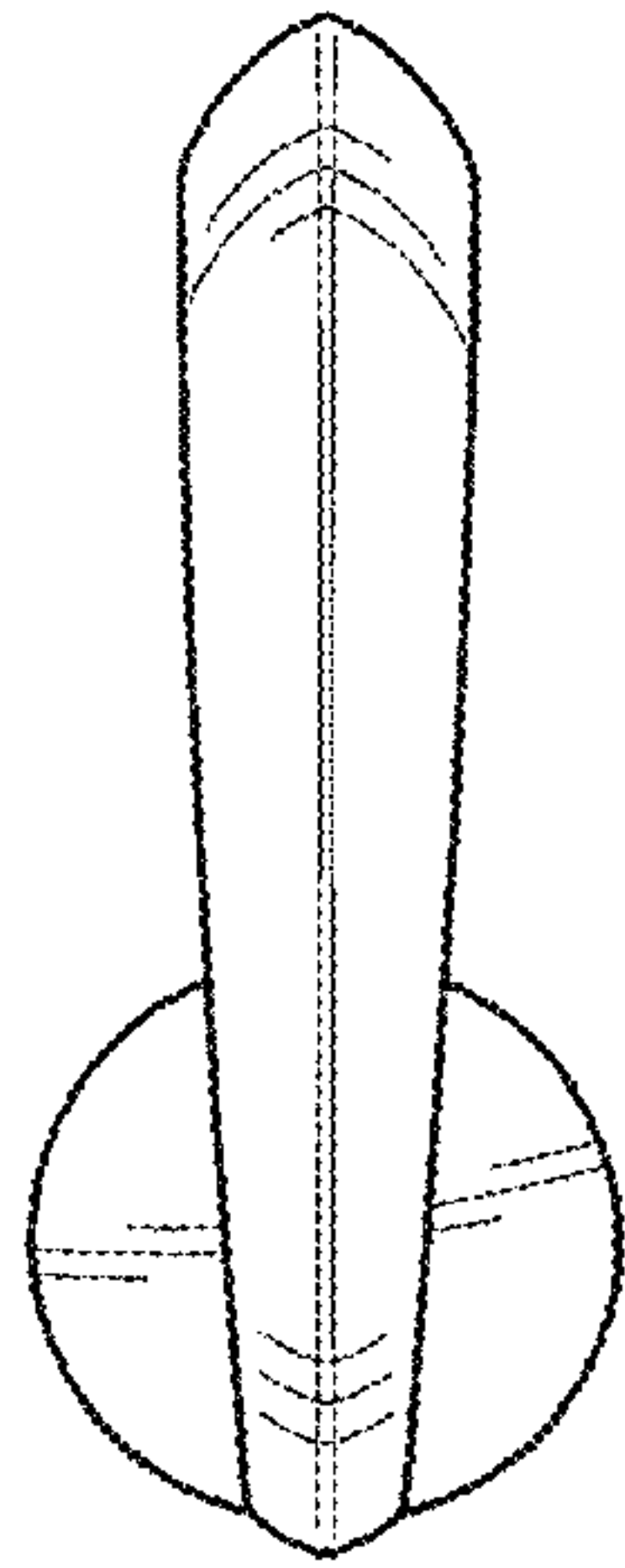


Fig-3

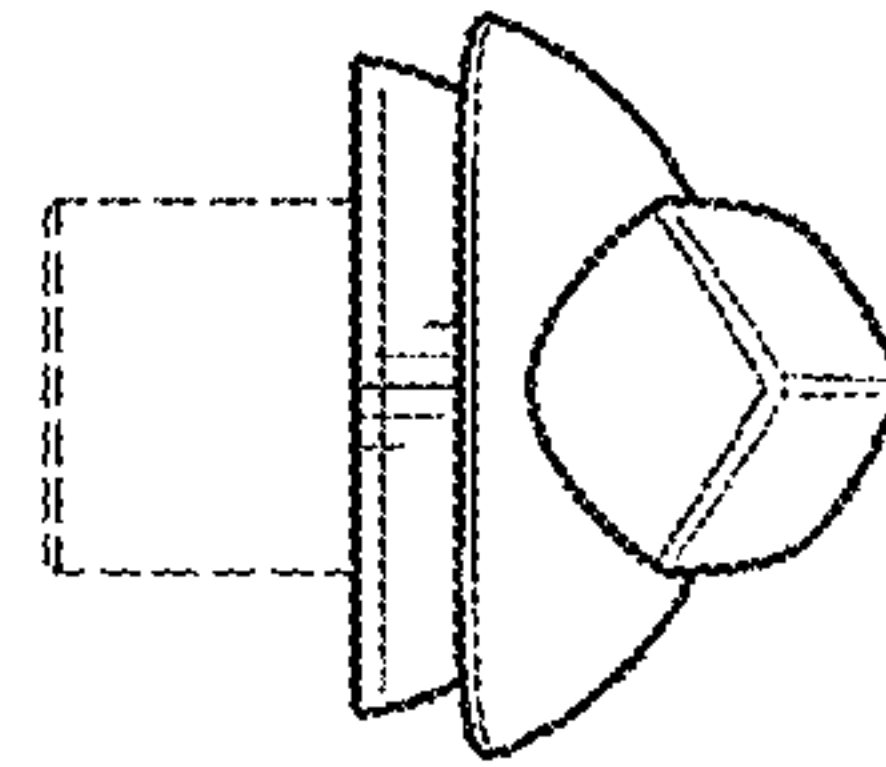


Fig-4

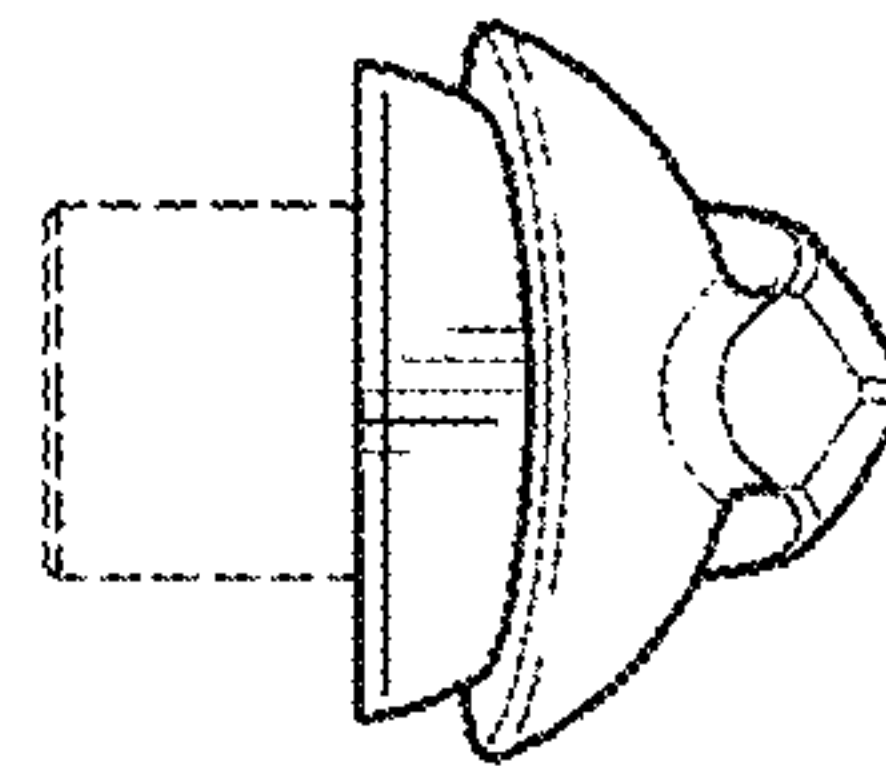


Fig-5