



US00D800266S

(12) **United States Design Patent**  
**Holub, Jr.**

(10) **Patent No.:** **US D800,266 S**  
(45) **Date of Patent:** **\*\* Oct. 17, 2017**

(54) **FAUCET ATTACHMENT**

(71) Applicant: **James Holub, Jr.**, Ravenna, MI (US)

(72) Inventor: **James Holub, Jr.**, Ravenna, MI (US)

(\*\*) Term: **15 Years**

(21) Appl. No.: **29/561,513**

(22) Filed: **Apr. 16, 2016**

(51) **LOC (10) Cl.** ..... **23-01**

(52) **U.S. Cl.**  
USPC ..... **D23/249; D32/32**

(58) **Field of Classification Search**  
USPC ..... **D23/249, 255-257, 213**  
CPC ..... **B05B 1/042; B05B 1/044; B05B 1/02;**  
**B05B 15/065; E04C 2001/0414; E03C**  
**2001/0415; E03C 2001/0417**

See application file for complete search history.

(56) **References Cited**

**U.S. PATENT DOCUMENTS**

D215,875 S \* 11/1969 Hoadley ..... D32/32  
D618,311 S \* 6/2010 Gao ..... D23/255  
D712,519 S \* 9/2014 Lu ..... E03C 1/0404  
D23/255

D750,858 S \* 3/2016 Aramli ..... D23/213

\* cited by examiner

*Primary Examiner* — Robert A Delehanty

(74) *Attorney, Agent, or Firm* — Kane & Co., PLC; Barry C. Kane

(57) **CLAIM**

The ornamental design for a faucet attachment, as shown and described.

**DESCRIPTION**

FIG. 1 is an oblique view of one embodiment of the invention;

FIG. 2 is a left side elevation view of the invention shown in FIG. 1;

FIG. 3 is a front side elevation view of the invention shown in FIG. 1;

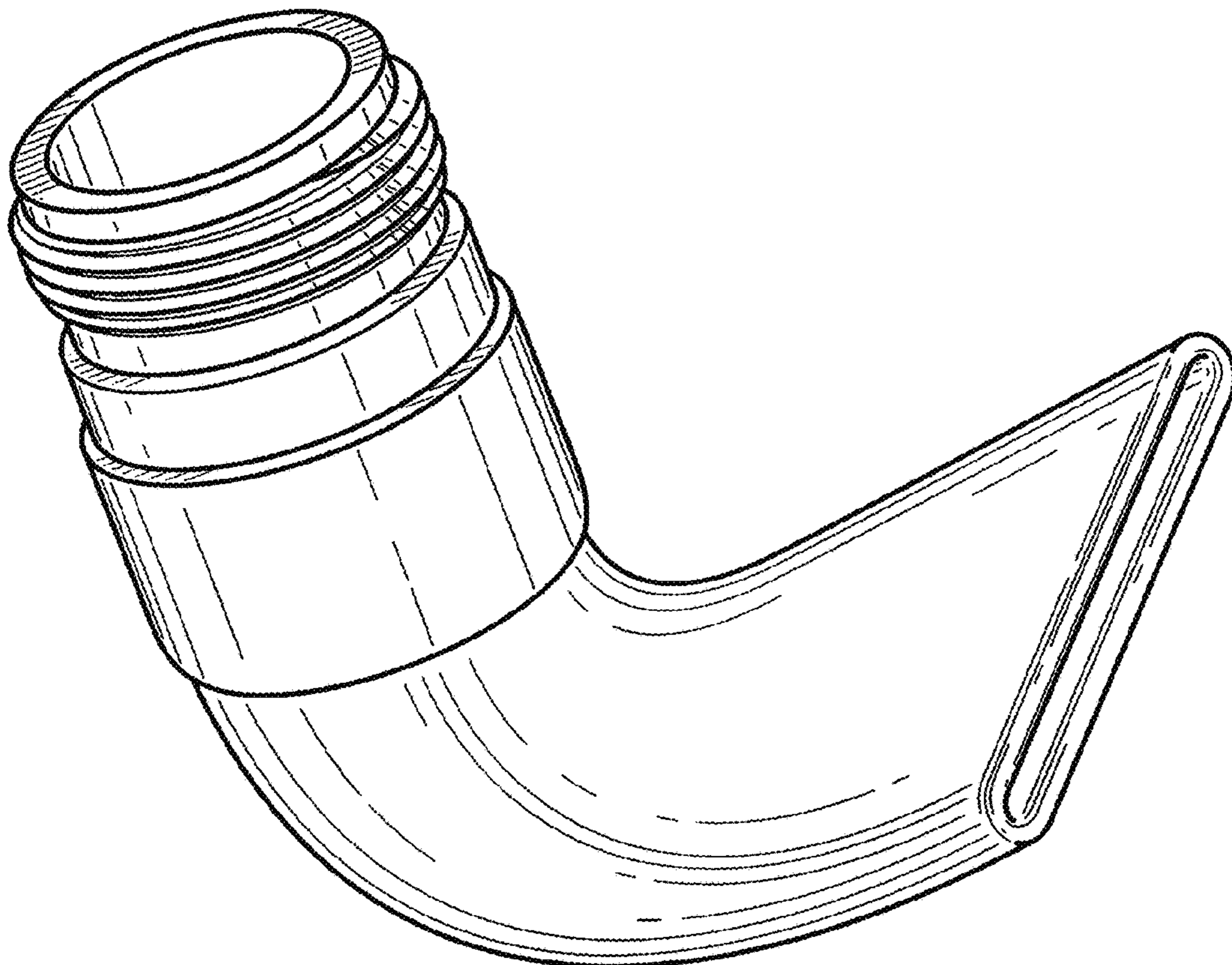
FIG. 4 is a back side elevation view of the invention shown in FIG. 1;

FIG. 5 is a right side elevation view of the invention shown in FIG. 1;

FIG. 6 is a bottom view of the invention shown in FIG. 1; and,

FIG. 7 is a top view of the invention shown in FIG. 1.

**1 Claim, 4 Drawing Sheets**



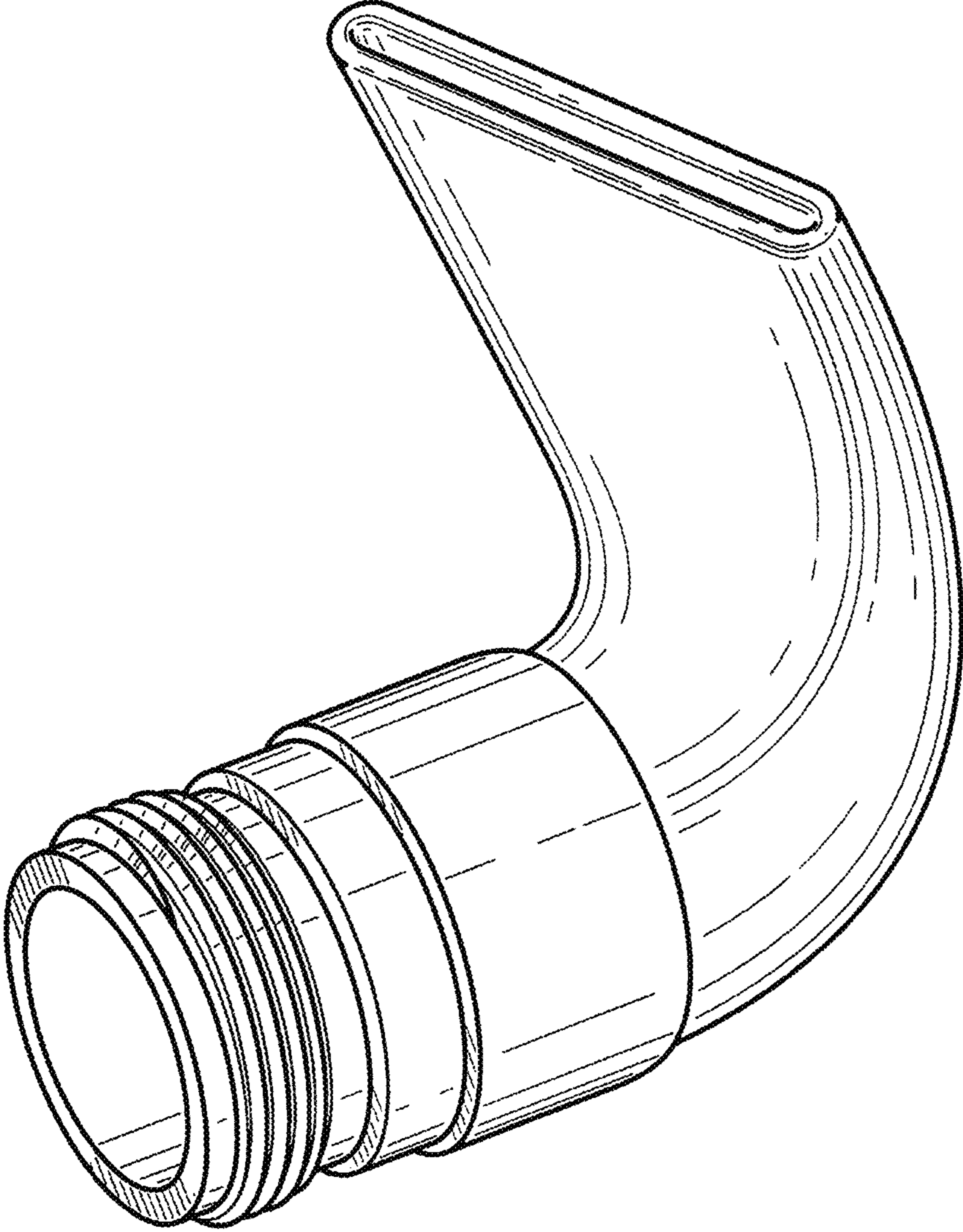


FIG. 1

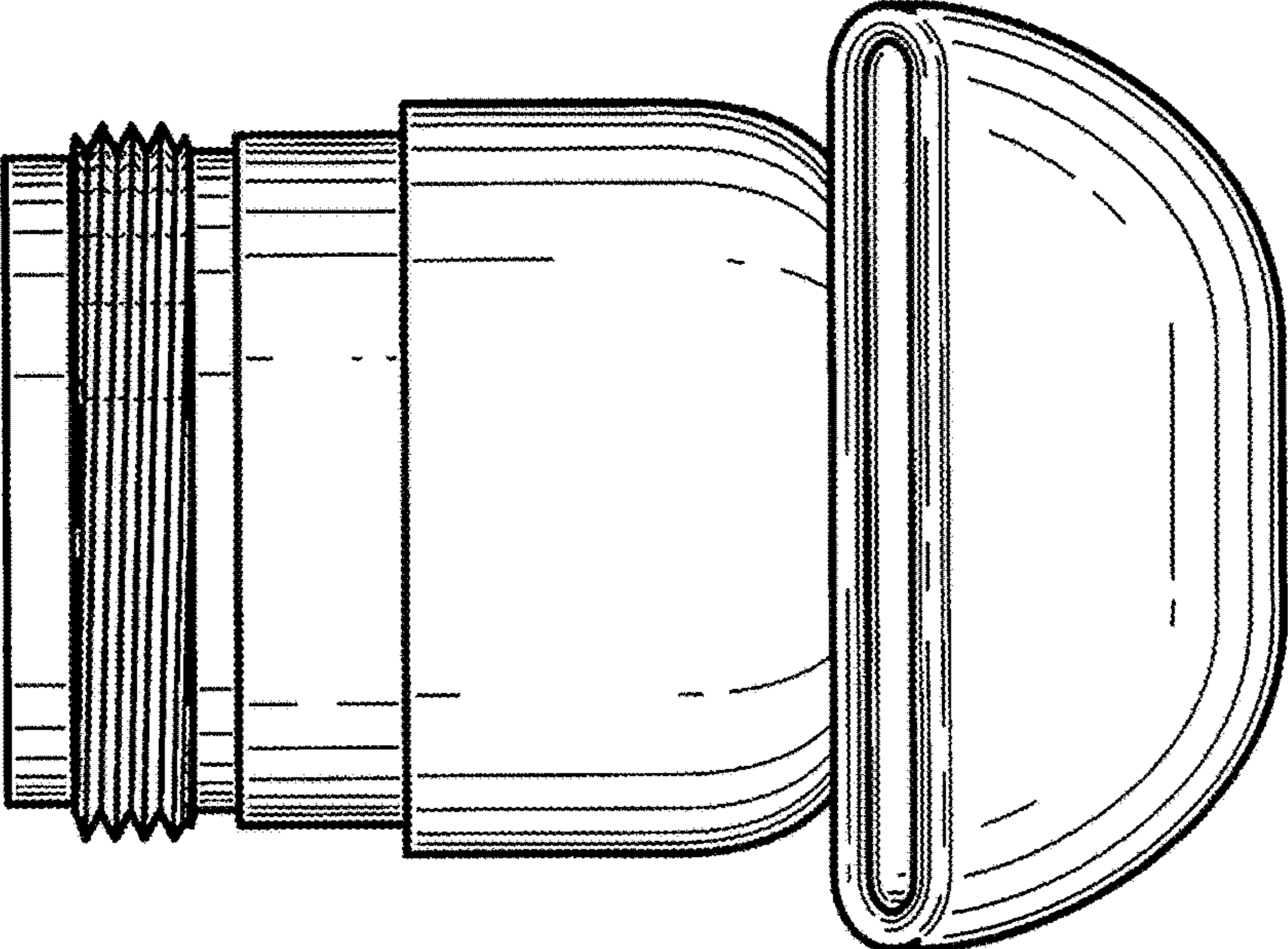


FIG. 3

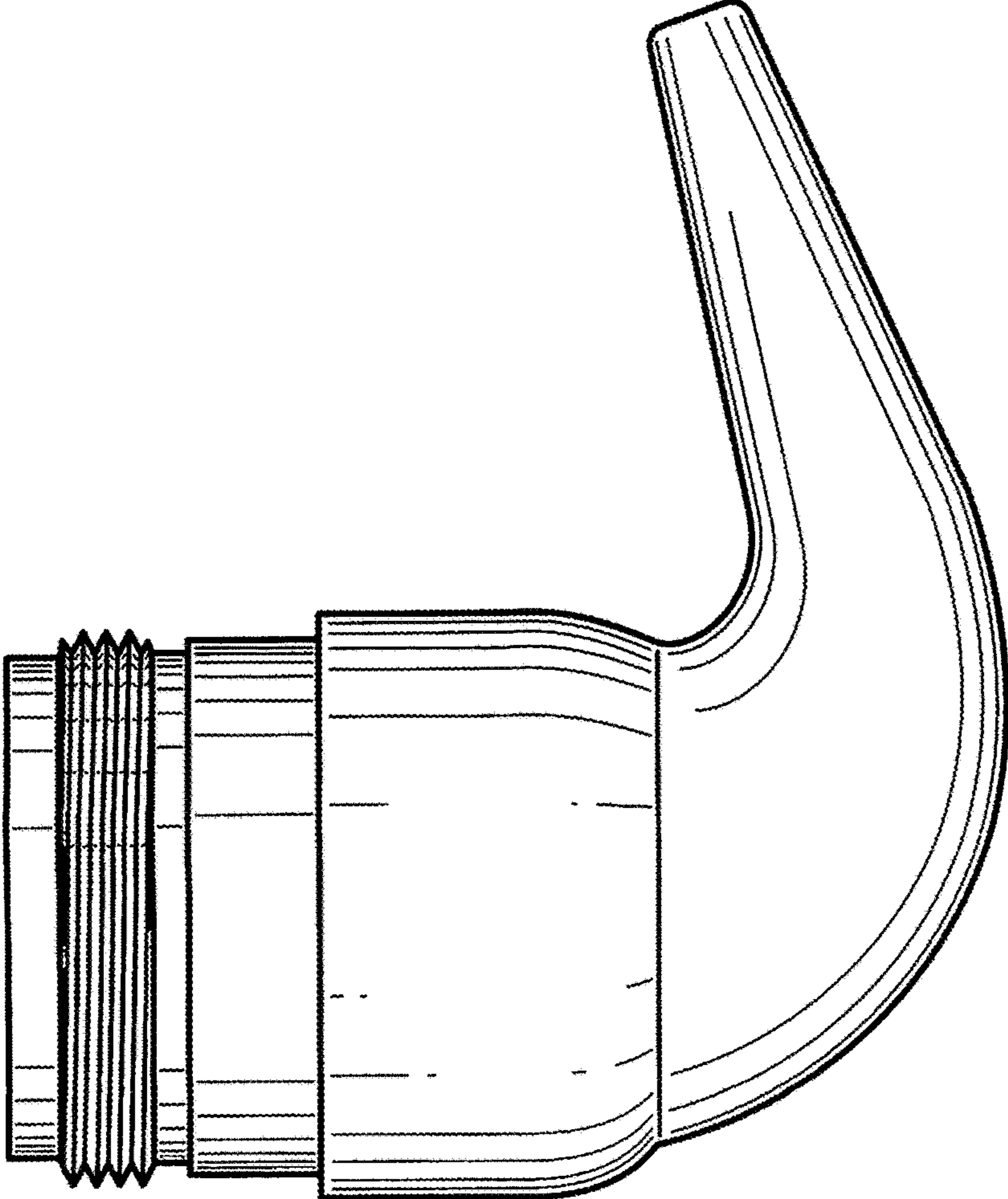


FIG. 2

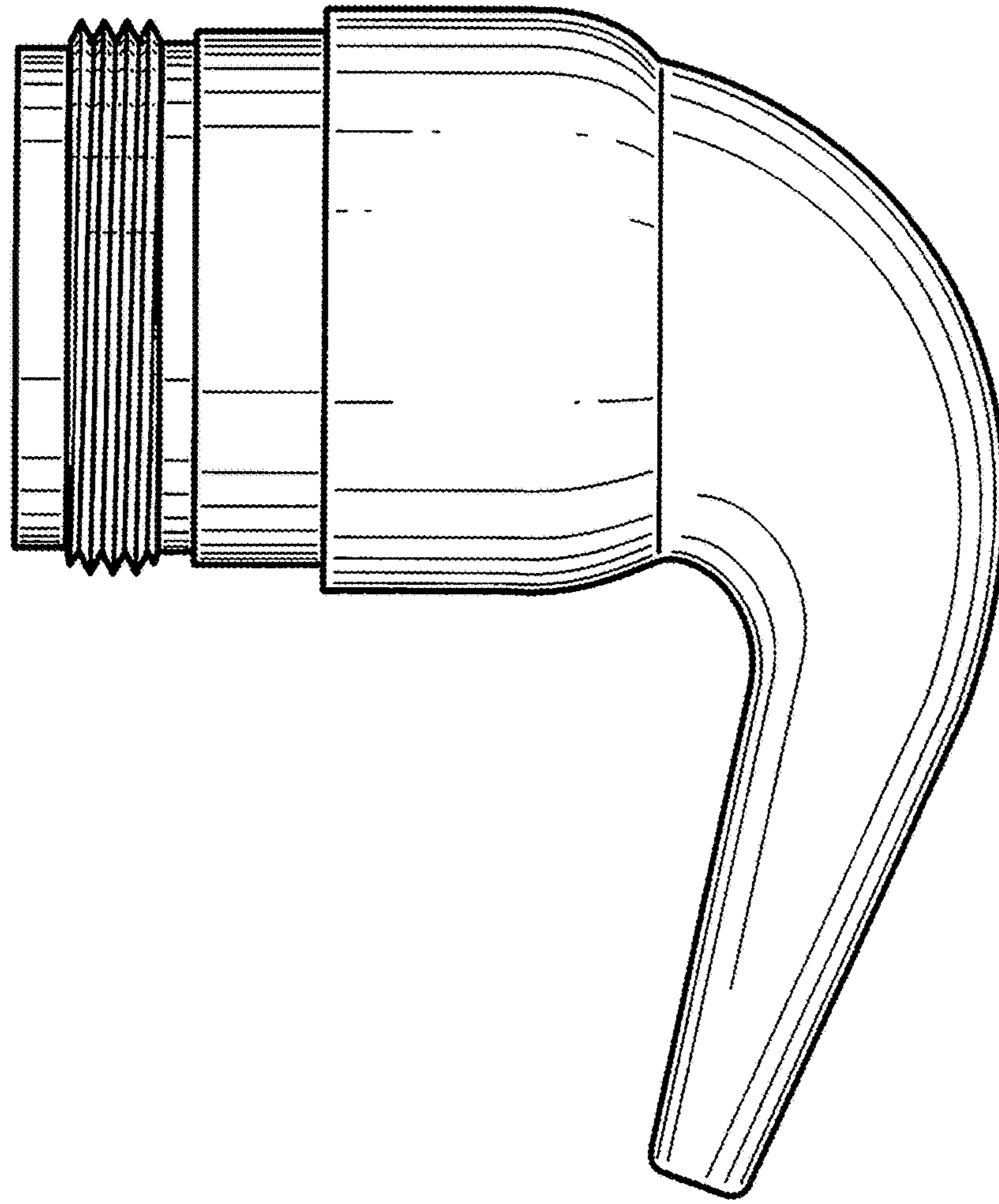


FIG. 4

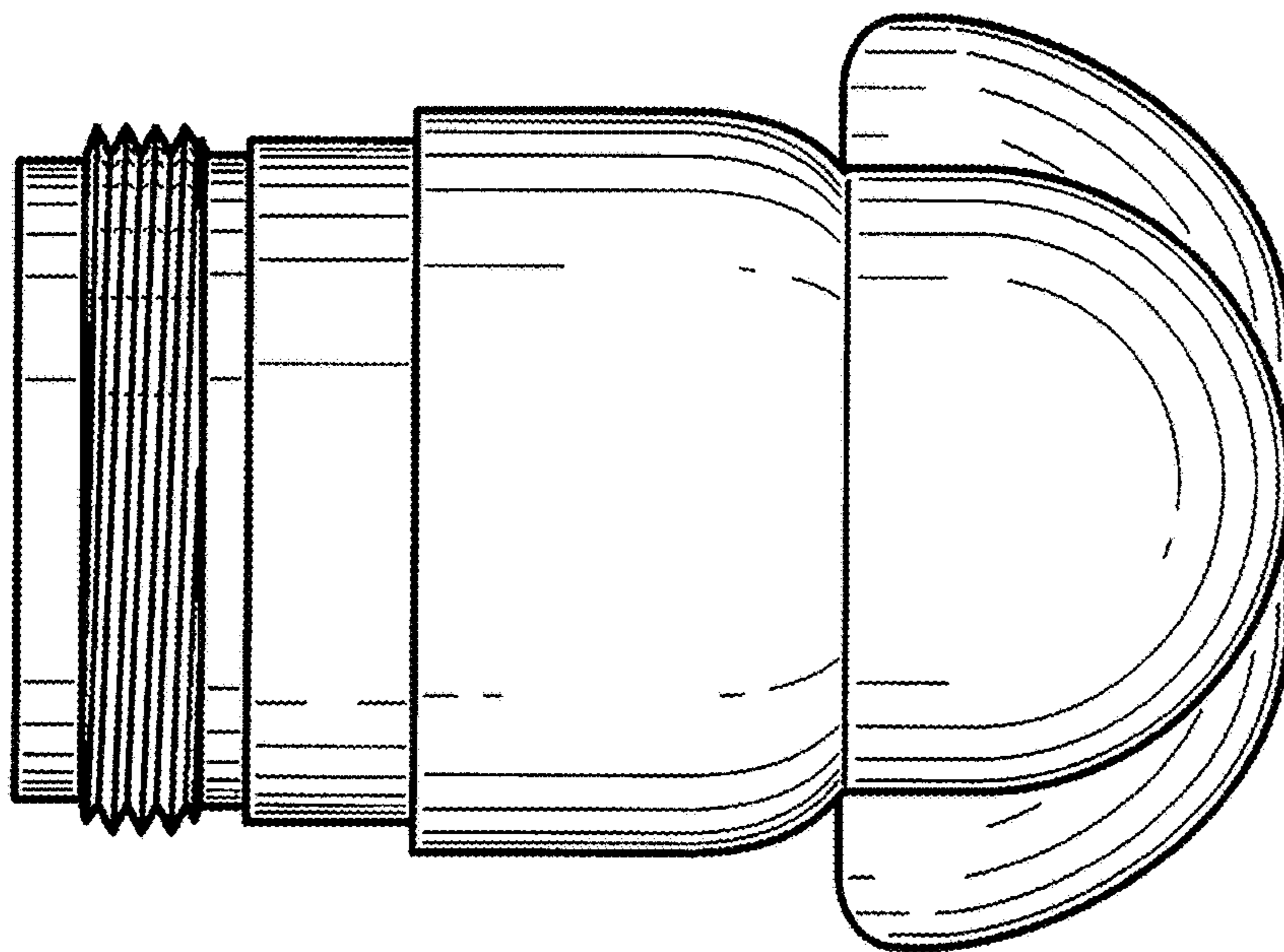


FIG. 5

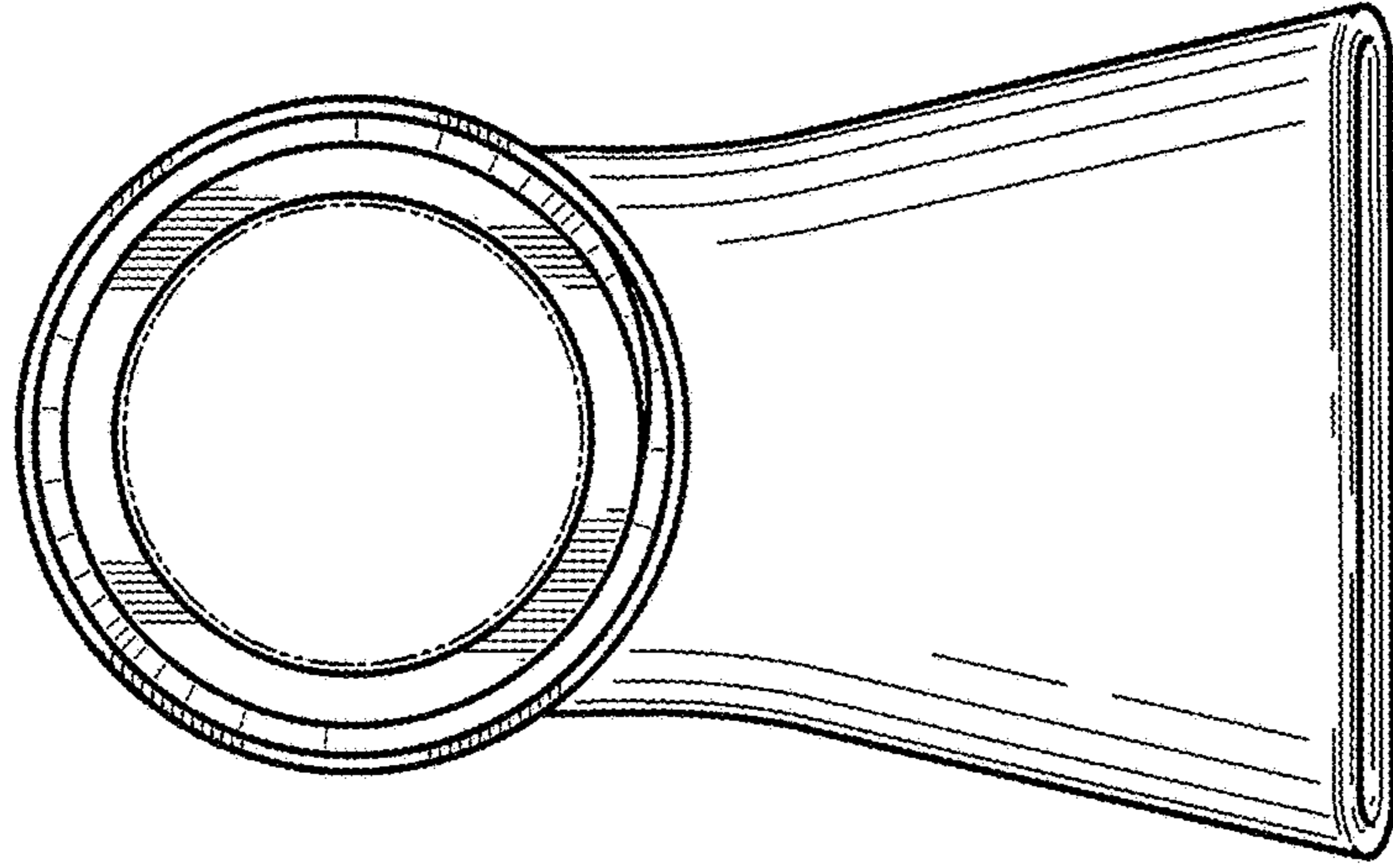


FIG. 7

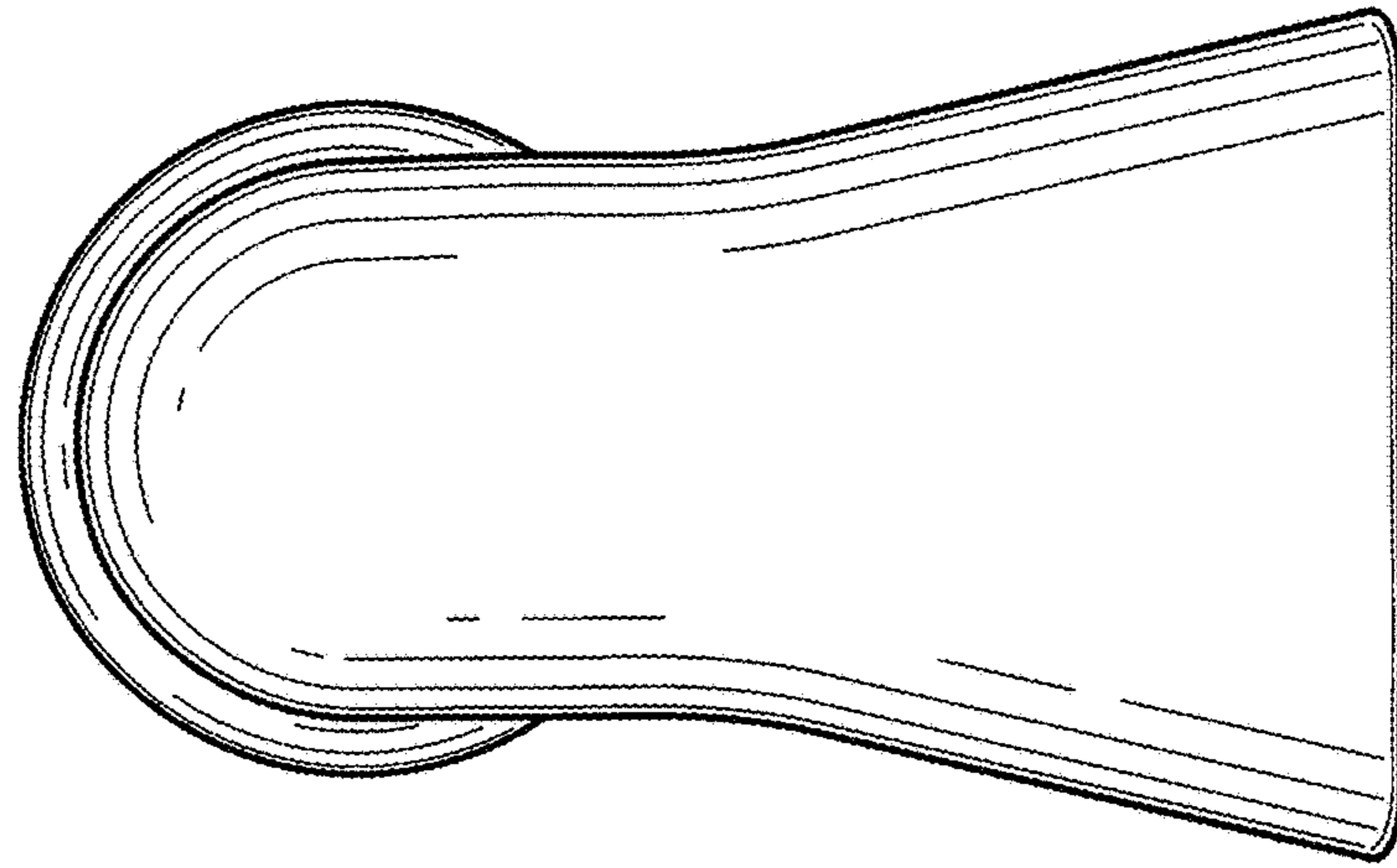


FIG. 6