



US00D800264S

(12) **United States Design Patent** (10) **Patent No.:** **US D800,264 S**
Andrew (45) **Date of Patent:** **** Oct. 17, 2017**

(54) **FAUCET**

(71) Applicant: **DELTA FAUCET COMPANY,**
Indianapolis, IN (US)

(72) Inventor: **Mercedita Andrew,** Indianapolis, IN
(US)

(73) Assignee: **DELTA FAUCET COMPANY,**
Indianapolis, IN (US)

(**) Term: **15 Years**

(21) Appl. No.: **29/577,744**

(22) Filed: **Sep. 15, 2016**

(51) **LOC (10) Cl.** **23-01**

(52) **U.S. Cl.**
USPC **D23/242**

(58) **Field of Classification Search**
USPC D23/238, 241–243, 249–250, 252,
D23/254–255, 257; D8/307–308
CPC E03C 1/02; E03C 1/023; E03C 1/0404;
E03C 1/0409; E03C 1/0412; E03C 1/05;
G05D 7/0629; Y10T 137/9464
See application file for complete search history.

(56) **References Cited**

U.S. PATENT DOCUMENTS

D275,985 S * 10/1984 Stairs, Jr. D23/252
D298,275 S * 10/1988 Hill D23/252

D302,202 S * 7/1989 Paul D23/252
D347,268 S * 5/1994 Paul D23/252
D352,767 S * 11/1994 McKeone D23/252
D519,617 S * 4/2006 Hoernig D23/255
D557,384 S * 12/2007 Garner D23/255
D678,986 S * 3/2013 Lord D23/255
D760,360 S * 6/2016 Kawakami D23/255
D782,013 S * 3/2017 Eads D23/255

* cited by examiner

Primary Examiner — Robert A Delehanty

(74) *Attorney, Agent, or Firm* — Edgar A. Zarins; Nirav
D. Parikh

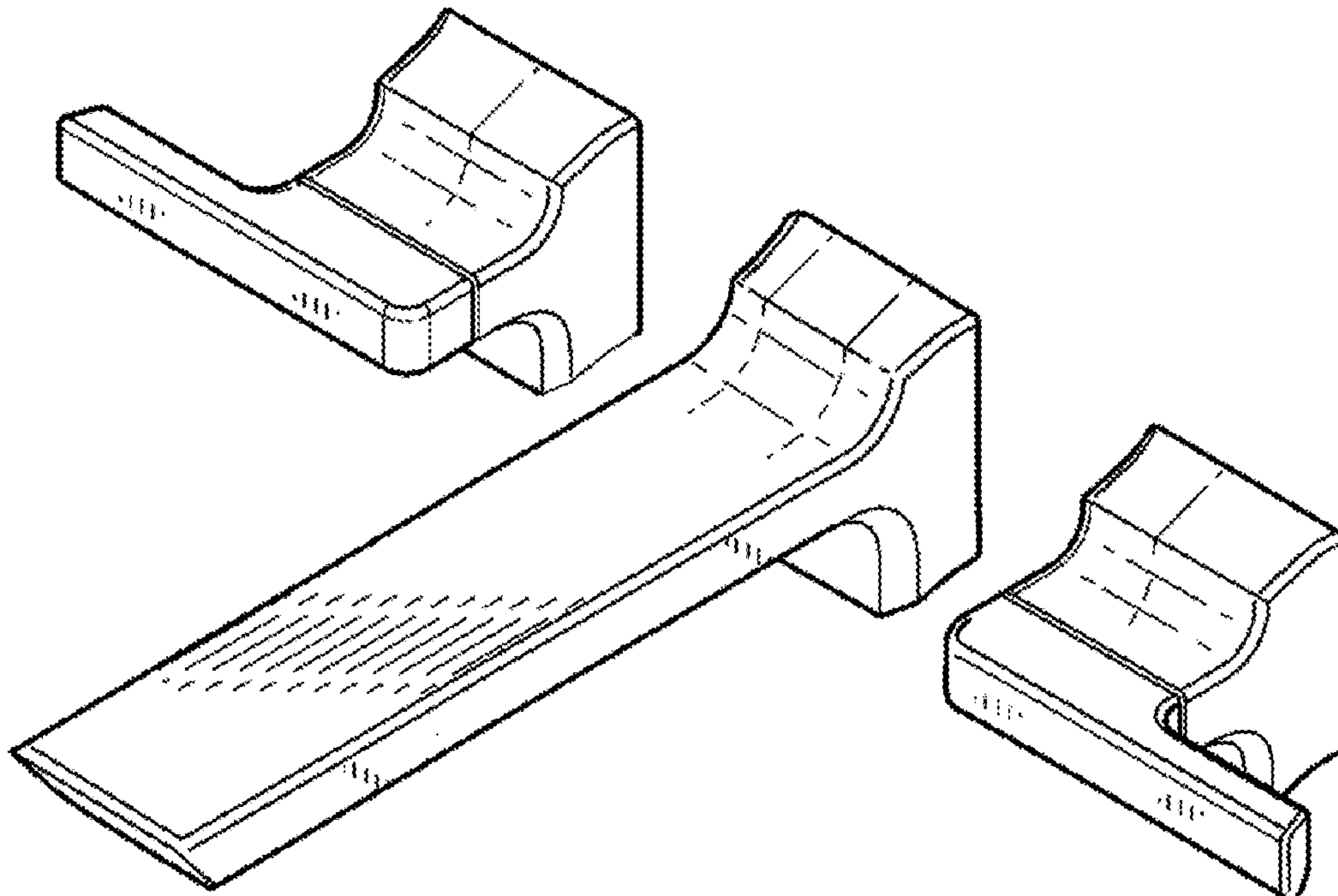
(57) **CLAIM**

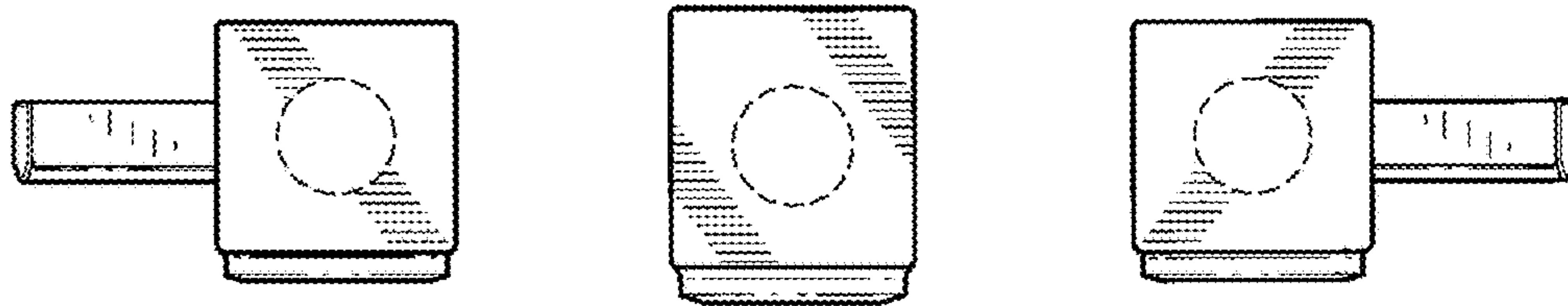
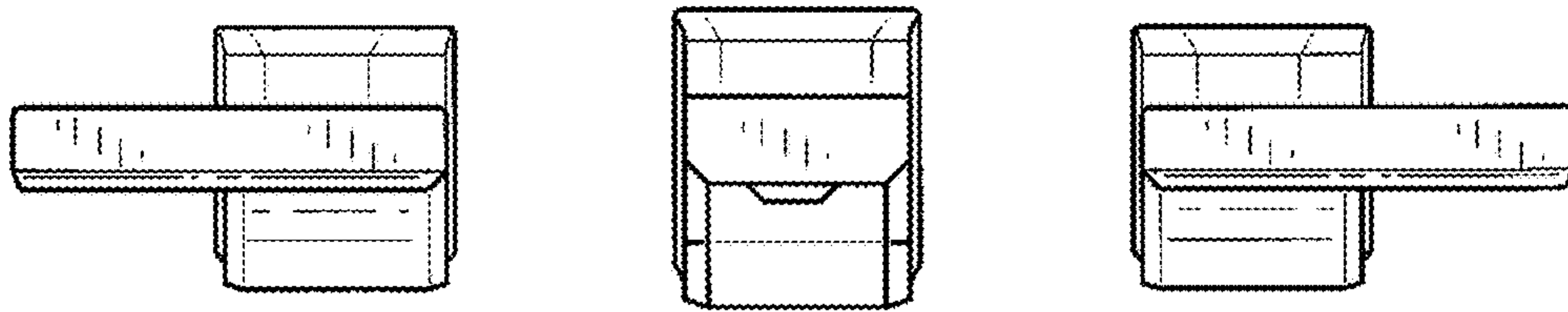
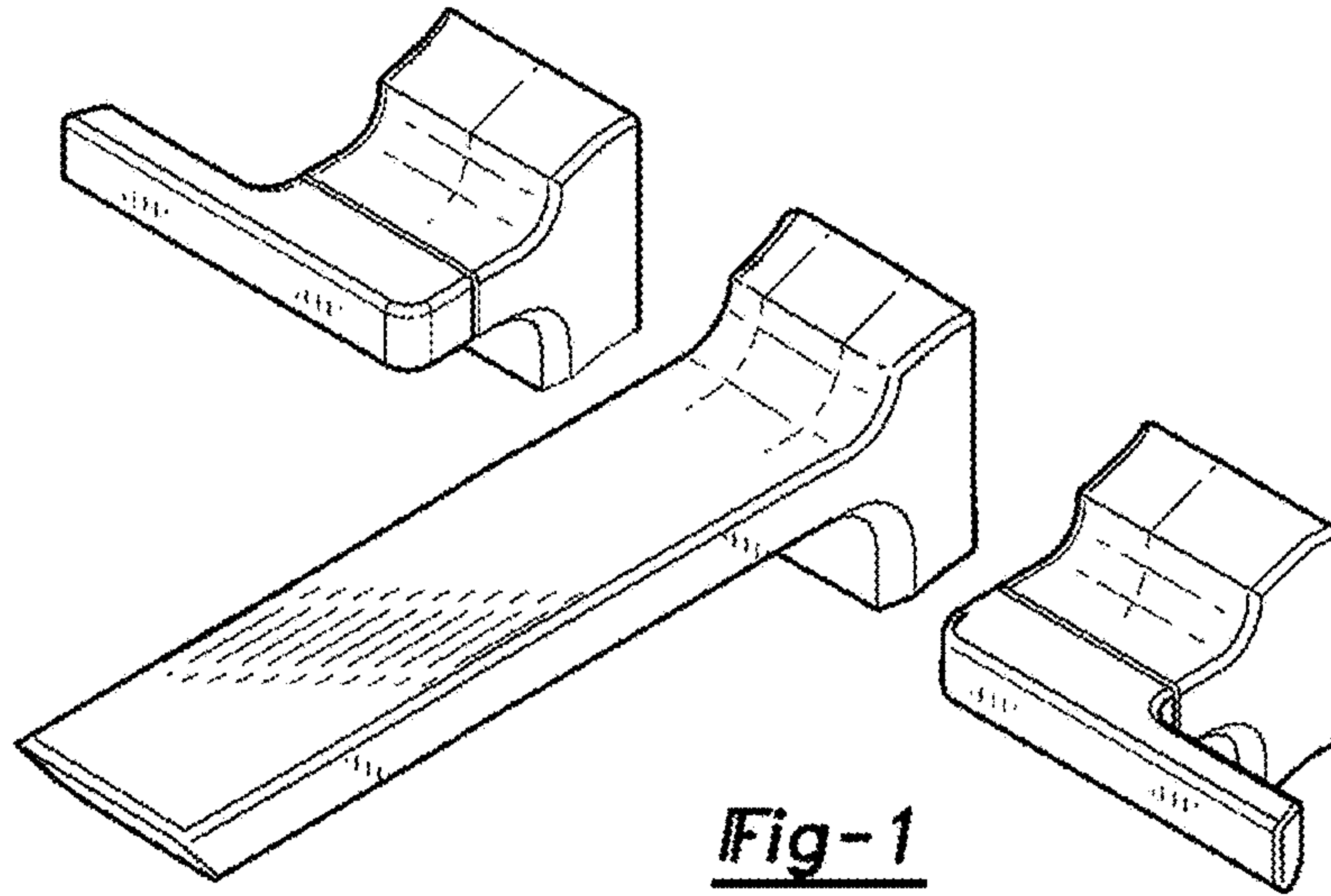
The ornamental design for a faucet, as shown and described.

DESCRIPTION

FIG. 1 is a perspective view of a faucet showing my new design;
FIG. 2 is a front elevational view thereof;
FIG. 3 is a rear view thereof;
FIG. 4 is a top plan view thereof;
FIG. 5 is a left side view thereof, the opposite side being a mirror image of the side shown; and,
FIG. 6 is a bottom view thereof.
The broken lines showing apertures are included for the purpose of illustrating a portion of the faucet and form no part of the claimed design.

1 Claim, 3 Drawing Sheets





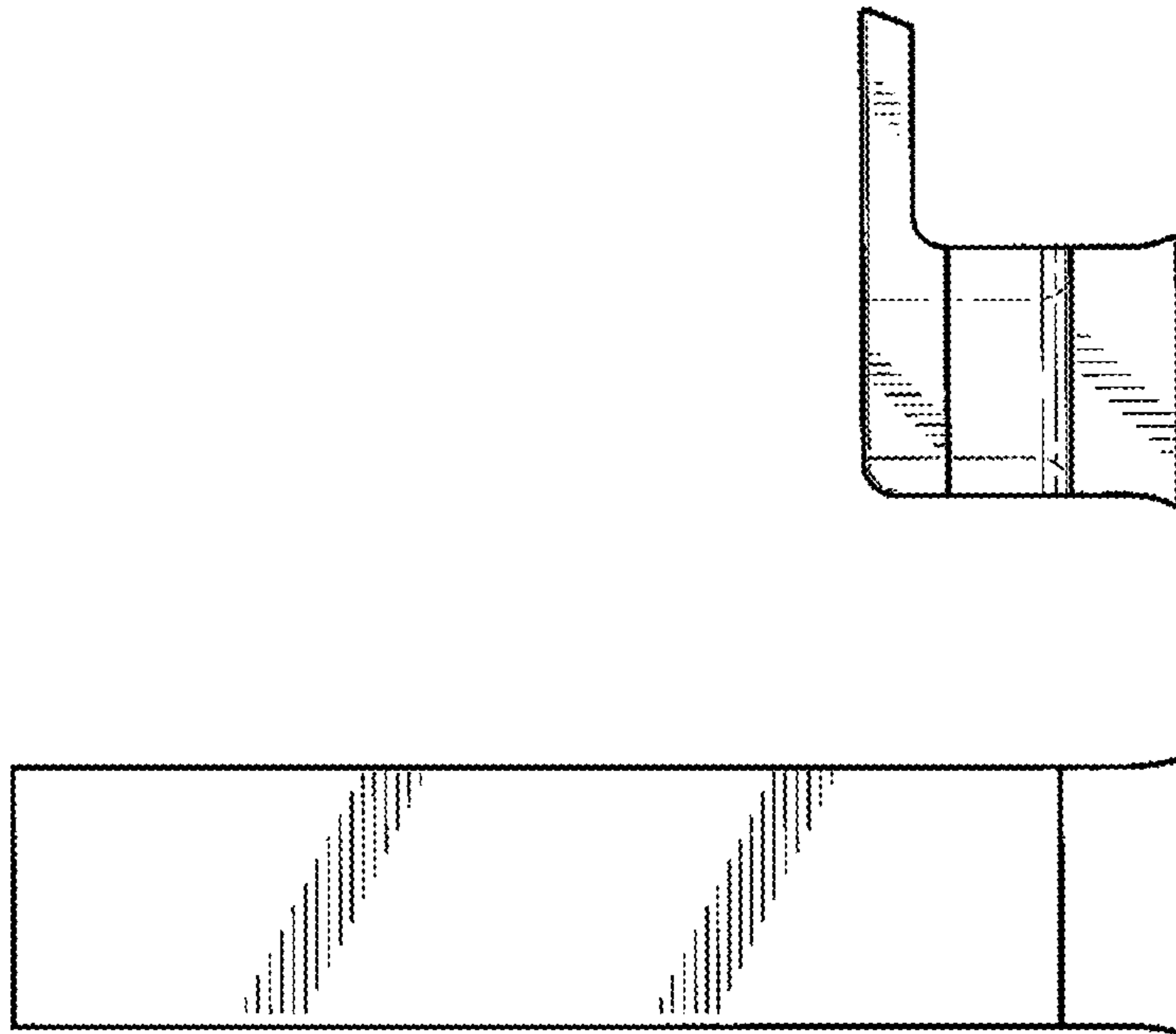


Fig-4

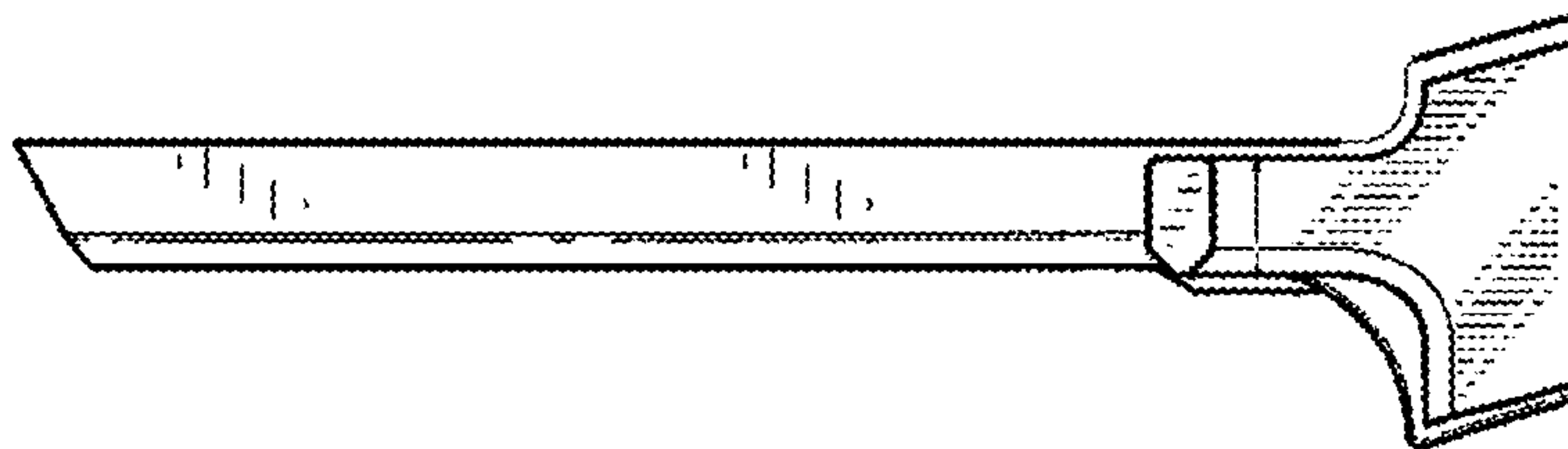


Fig-5

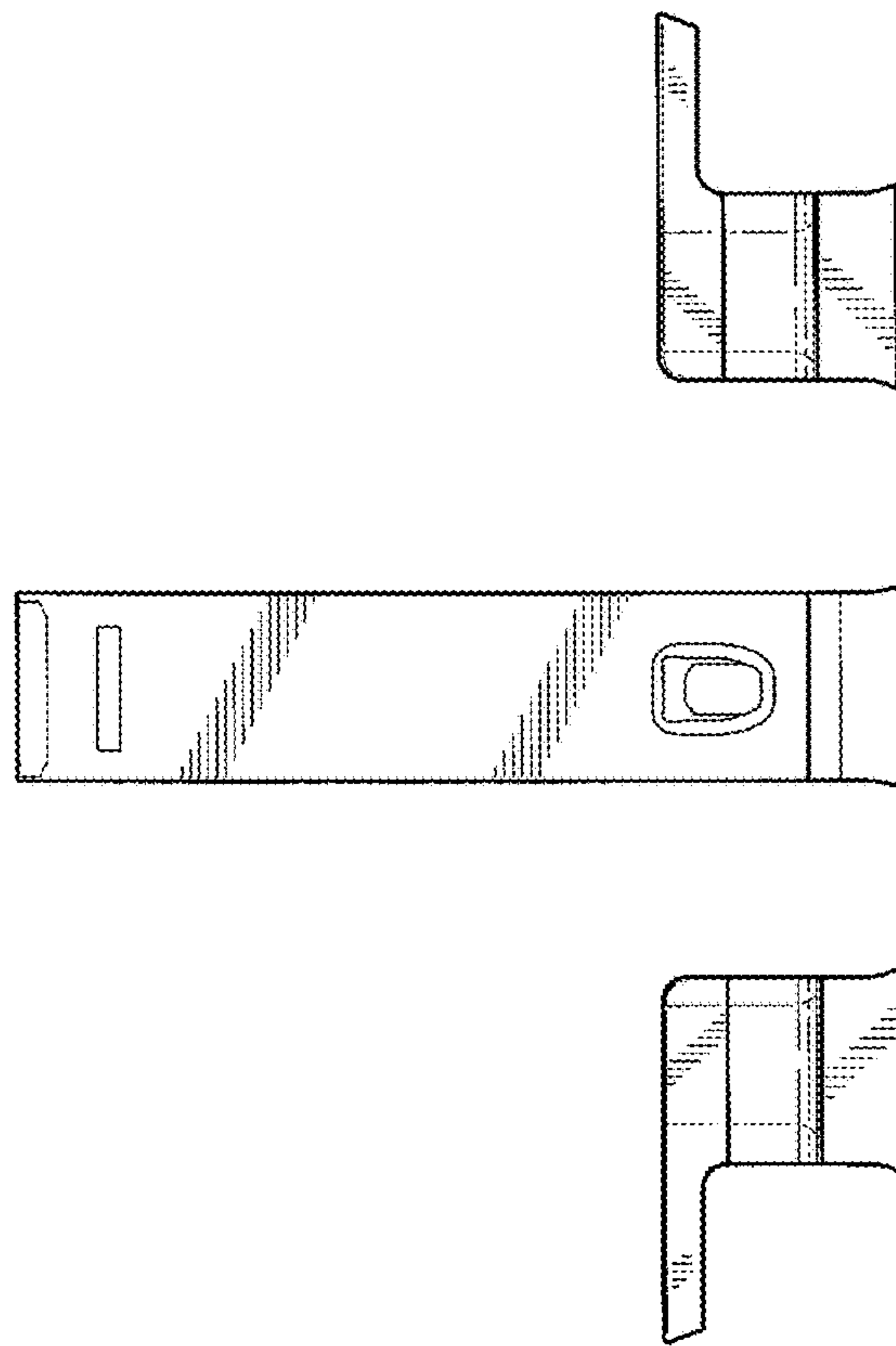


Fig-6