

US00D800263S

(12) **United States Design Patent** (10) **Patent No.:** **US D800,263 S**
Andrew (45) **Date of Patent:** **** Oct. 17, 2017**

(54) **FAUCET**
(71) Applicant: **DELTA FAUCET COMPANY,**
Indianapolis, IN (US)
(72) Inventor: **Mercedita Andrew,** Indianapolis, IN
(US)
(73) Assignee: **DELTA FAUCET COMPANY,**
Indianapolis, IN (US)
(**) Term: **15 Years**
(21) Appl. No.: **29/576,636**
(22) Filed: **Sep. 6, 2016**
(51) **LOC (10) Cl.** **23-01**
(52) **U.S. Cl.**
USPC **D23/239**
(58) **Field of Classification Search**
USPC D23/238-239, 241-243, 249-250, 252,
D23/254-255, 257; D8/107-108
CPC E03C 2001/0415; E03C 2001/0417; E03C
2001/0414; E03C 1/04; E03C 1/0404;
E03C 1/0401; E03C 1/0405; Y10T
137/9464
See application file for complete search history.

D302,202 S * 7/1989 Paul D23/252
D347,268 S * 5/1994 Paul D23/252
D352,767 S * 11/1994 McKeone D23/252
D533,639 S * 12/2006 Hoernig D23/241
D575,845 S * 8/2008 Lobermeier D23/223
D601,227 S * 9/2009 Sieger D23/242
D625,393 S * 10/2010 Sieger D23/242
D644,719 S * 9/2011 Vish D23/255

* cited by examiner

Primary Examiner — Robert A Delehanty

(74) *Attorney, Agent, or Firm* — Edgar A. Zarins; Nirav
D. Parikh

(56) **References Cited**
U.S. PATENT DOCUMENTS
D275,985 S * 10/1984 Stairs, Jr. D23/252
D298,275 S * 10/1988 Hill D23/252

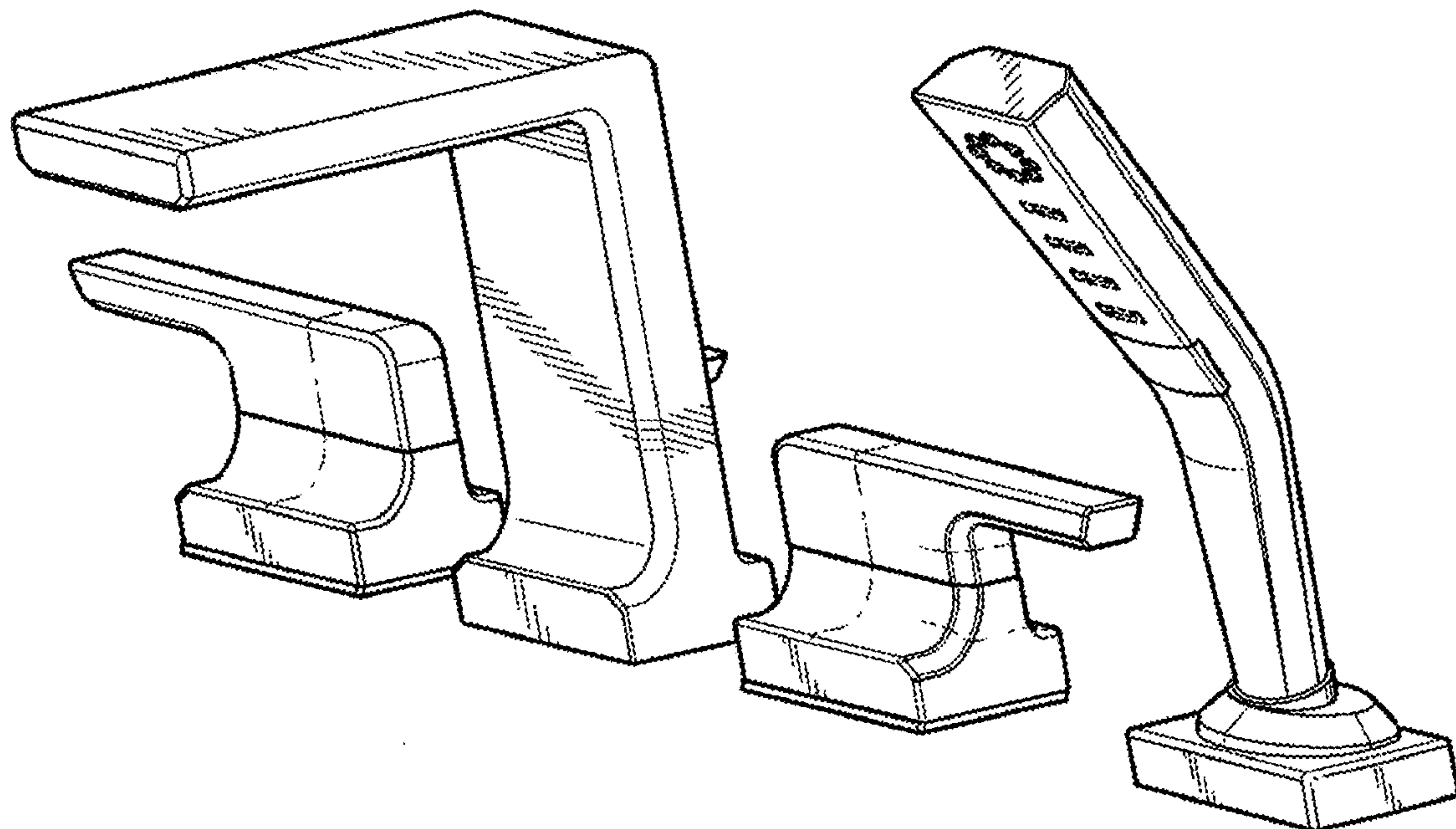
(57) **CLAIM**

The ornamental design for a faucet, as shown and described.

DESCRIPTION

FIG. 1 is a perspective view of a faucet showing my new design;
FIG. 2 is a front elevational view thereof;
FIG. 3 is a rear view thereof;
FIG. 4 is a top plan view thereof;
FIG. 5 is a left side view thereof; and,
FIG. 6 is a right side view thereof.

1 Claim, 3 Drawing Sheets



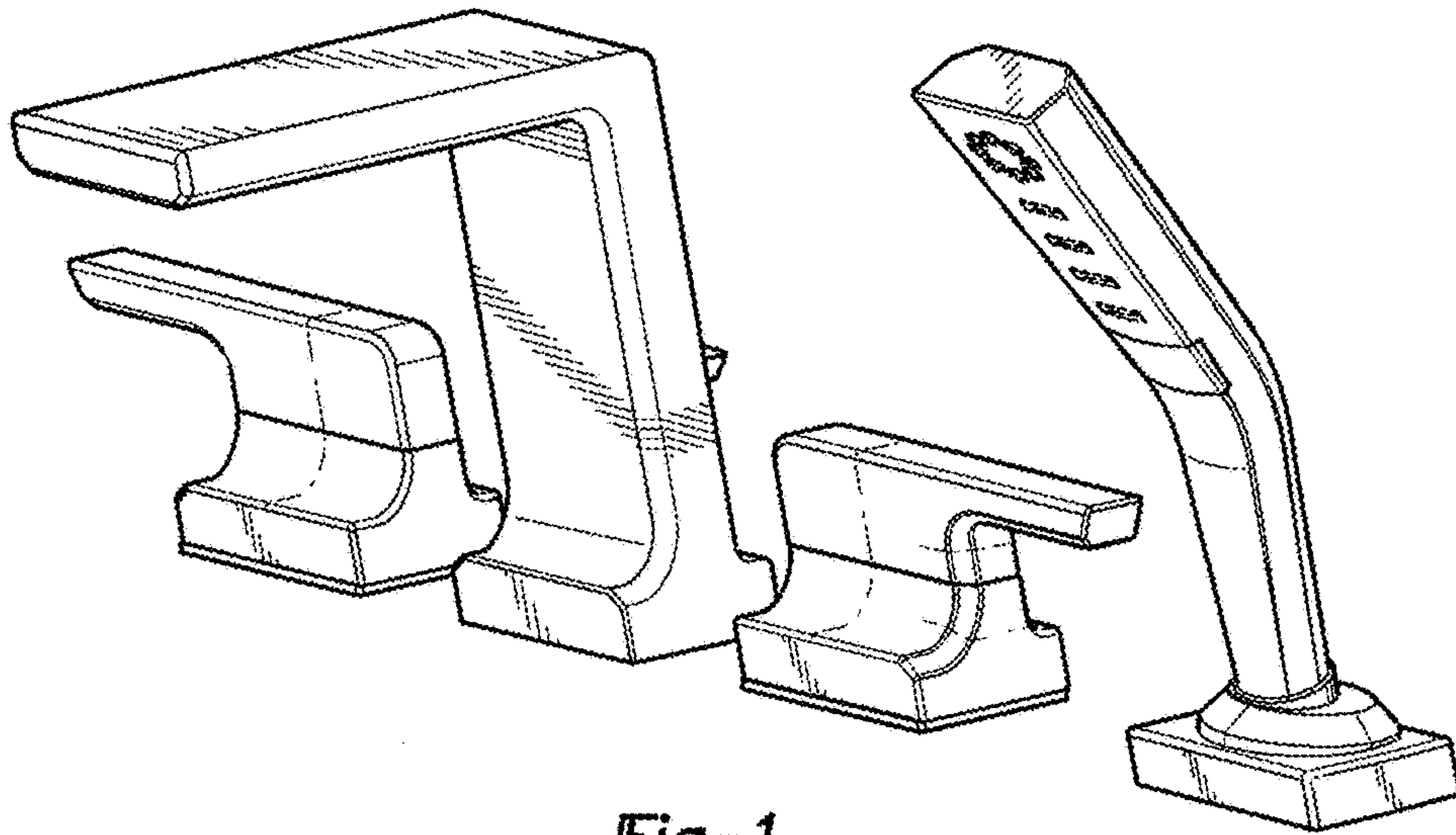


Fig-1

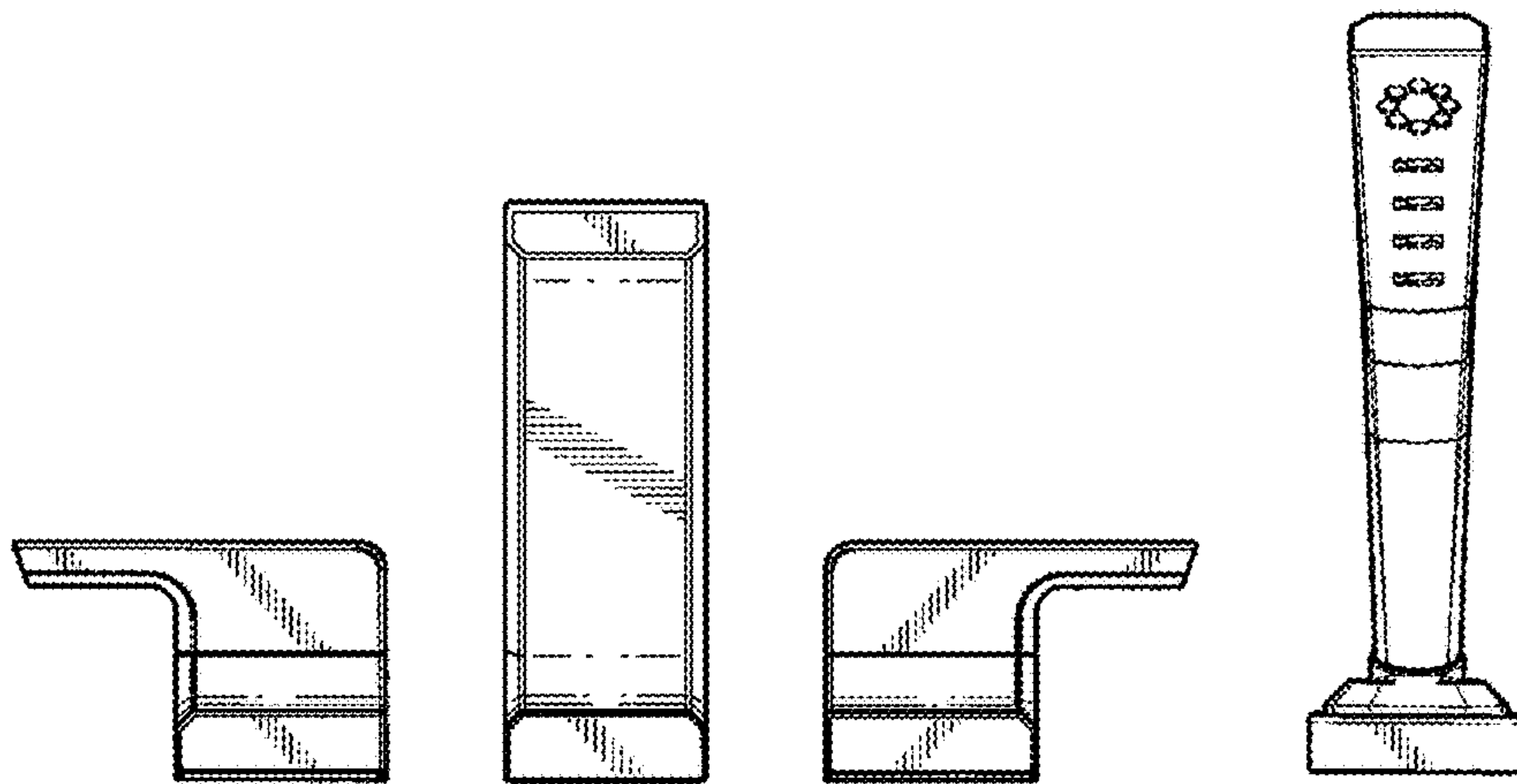


Fig-2

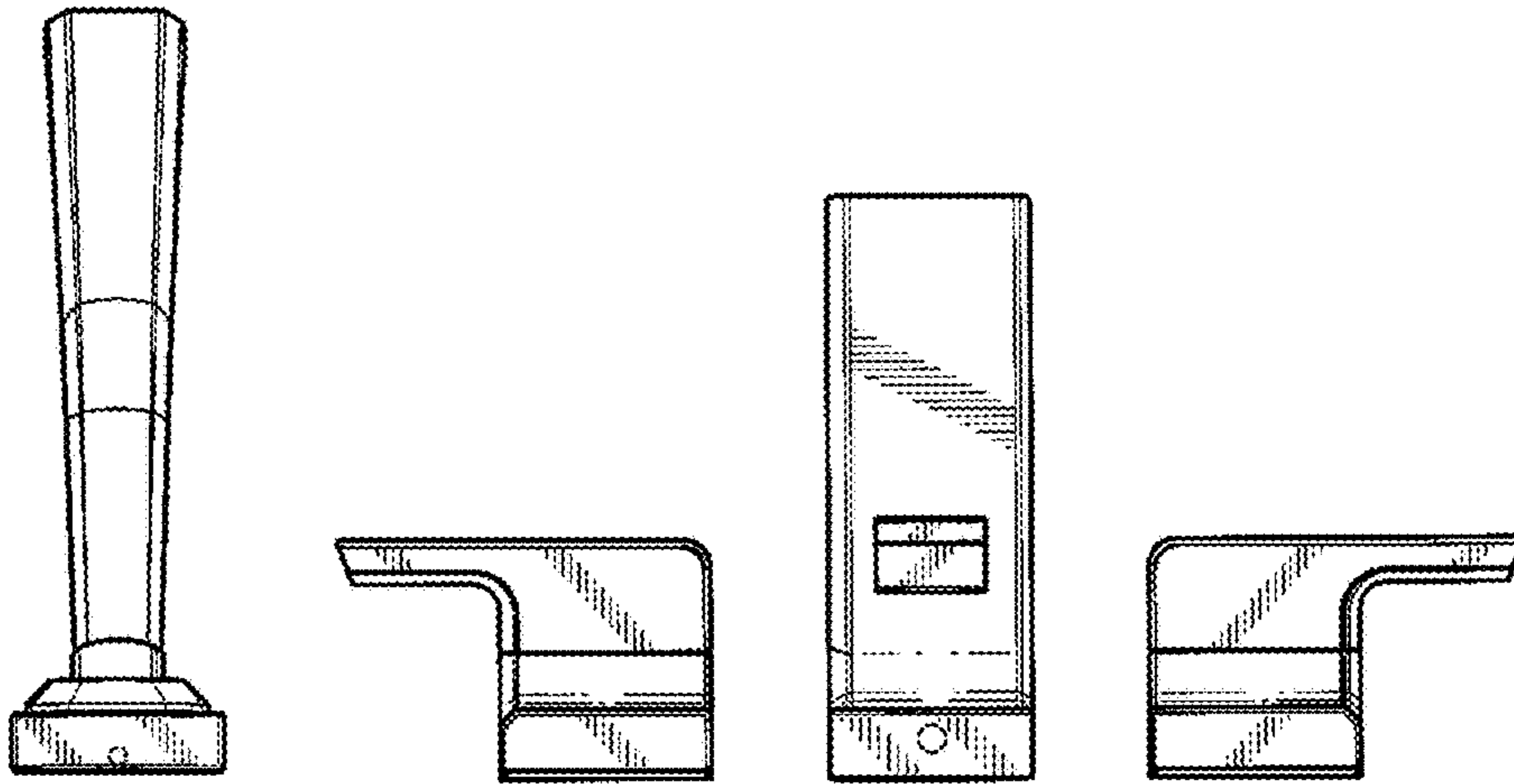


Fig-3

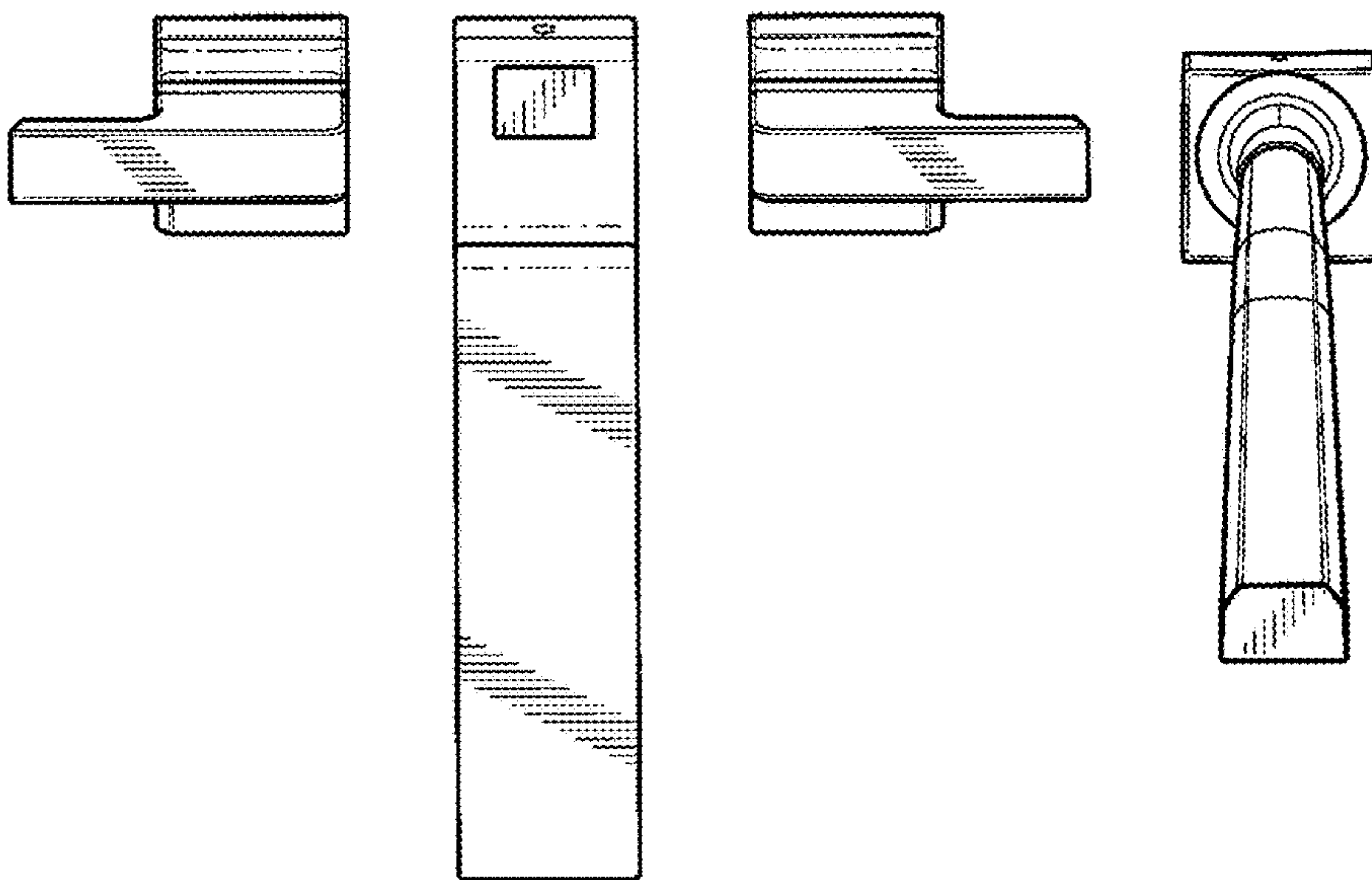


Fig-4

