

US00D800262S

(12) **United States Design Patent** (10) **Patent No.:** **US D800,262 S**  
**Andrew** (45) **Date of Patent:** **\*\* Oct. 17, 2017**

(54) **FAUCET**

(71) Applicant: **DELTA FAUCET COMPANY,**  
Indianapolis, IN (US)

(72) Inventor: **Mercedita Andrew,** Indianapolis, IN  
(US)

(73) Assignee: **DELTA FAUCET COMPANY,**  
Indianapolis, IN (US)

(\*\*) Term: **15 Years**

(21) Appl. No.: **29/577,736**

(22) Filed: **Sep. 15, 2016**

(51) **LOC (10) Cl.** ..... **23-01**

(52) **U.S. Cl.**  
USPC ..... **D23/238**

(58) **Field of Classification Search**  
USPC ..... D23/238, 241-243, 249-250, 252,  
D23/254-255, 257; D8/107-108  
CPC ..... E03C 1/02; E03C 1/023; E03C 1/0404;  
E03C 1/0409; E03C 1/0412; E03C 1/05;  
E03C 1/0401; E03C 1/0402; G05D  
7/0629; Y10T 137/9464

See application file for complete search history.

(56) **References Cited**

U.S. PATENT DOCUMENTS

D527,794	S	*	9/2006	Sieger	.....	D23/238
D574,063	S	*	7/2008	Tsai	.....	D23/255
D601,227	S	*	9/2009	Sieger	.....	D23/242
D644,719	S	*	9/2011	Vish	.....	D23/255
D692,104	S	*	10/2013	Gessi	.....	D23/238
D769,417	S	*	10/2016	Rexach	.....	D23/238
D769,418	S	*	10/2016	Eads	.....	D23/238

\* cited by examiner

*Primary Examiner* — Robert A Delehanty

(74) *Attorney, Agent, or Firm* — Edgar A. Zarins; Nirav D. Parikh

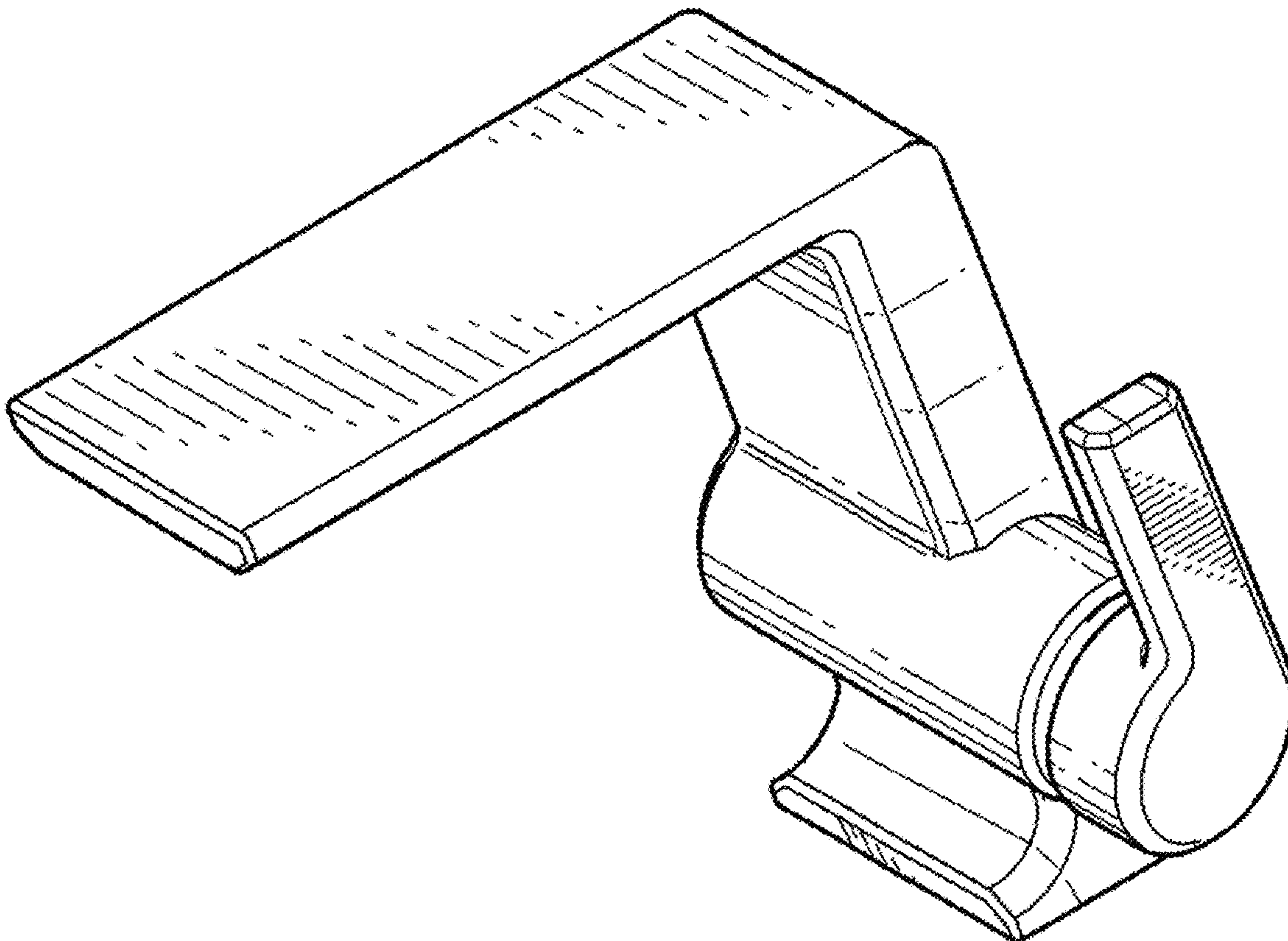
(57) **CLAIM**

The ornamental design for a faucet, as shown and described.

**DESCRIPTION**

FIG. 1 is a perspective view of a faucet showing my new design;  
FIG. 2 is a top plan view thereof;  
FIG. 3 is a bottom view thereof;  
FIG. 4 is a right side view thereof;  
FIG. 5 is a left side view thereof;  
FIG. 6 is a front elevational view thereof; and,  
FIG. 7 is a rear view thereof.

**1 Claim, 3 Drawing Sheets**



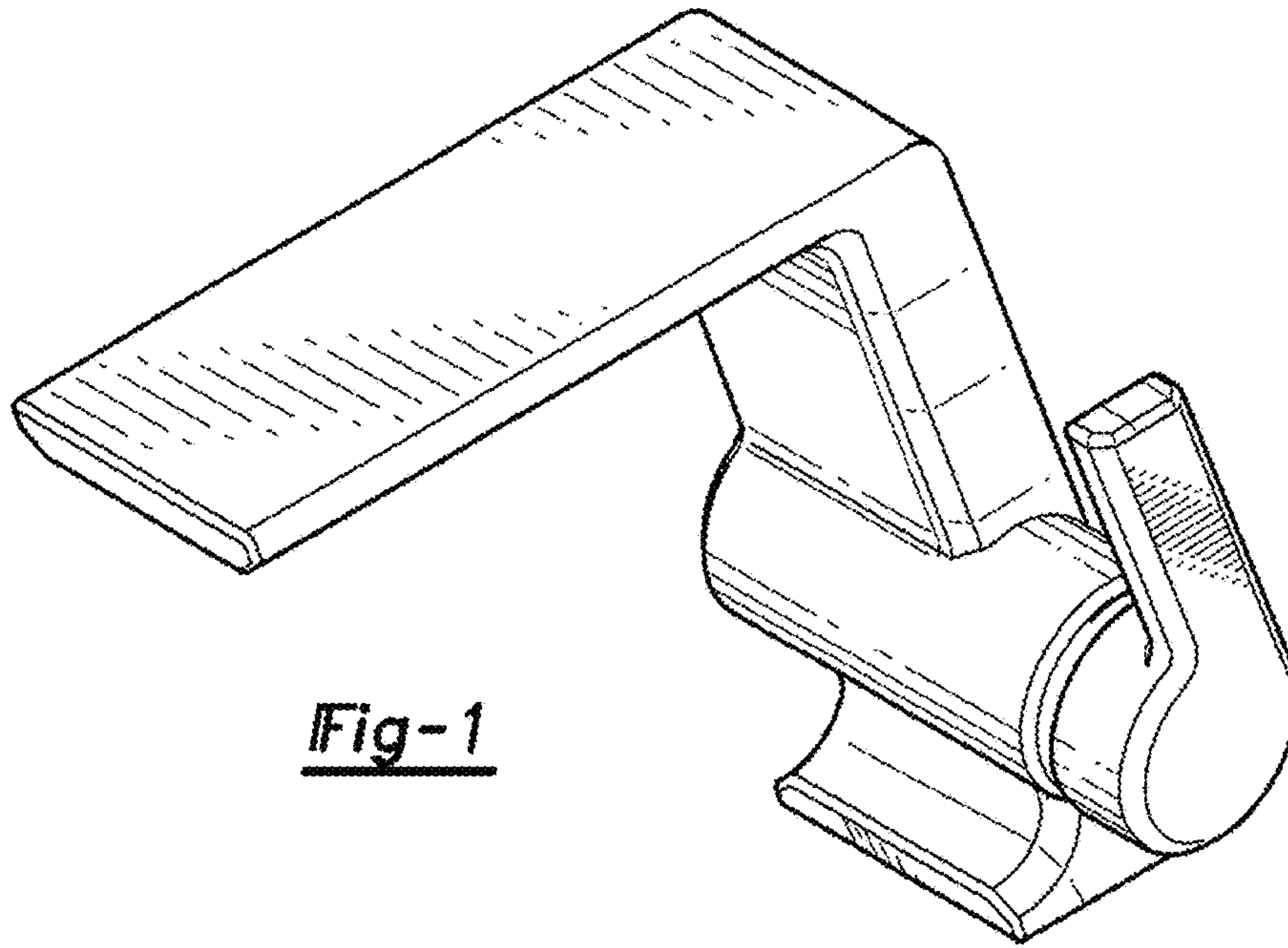


Fig-1

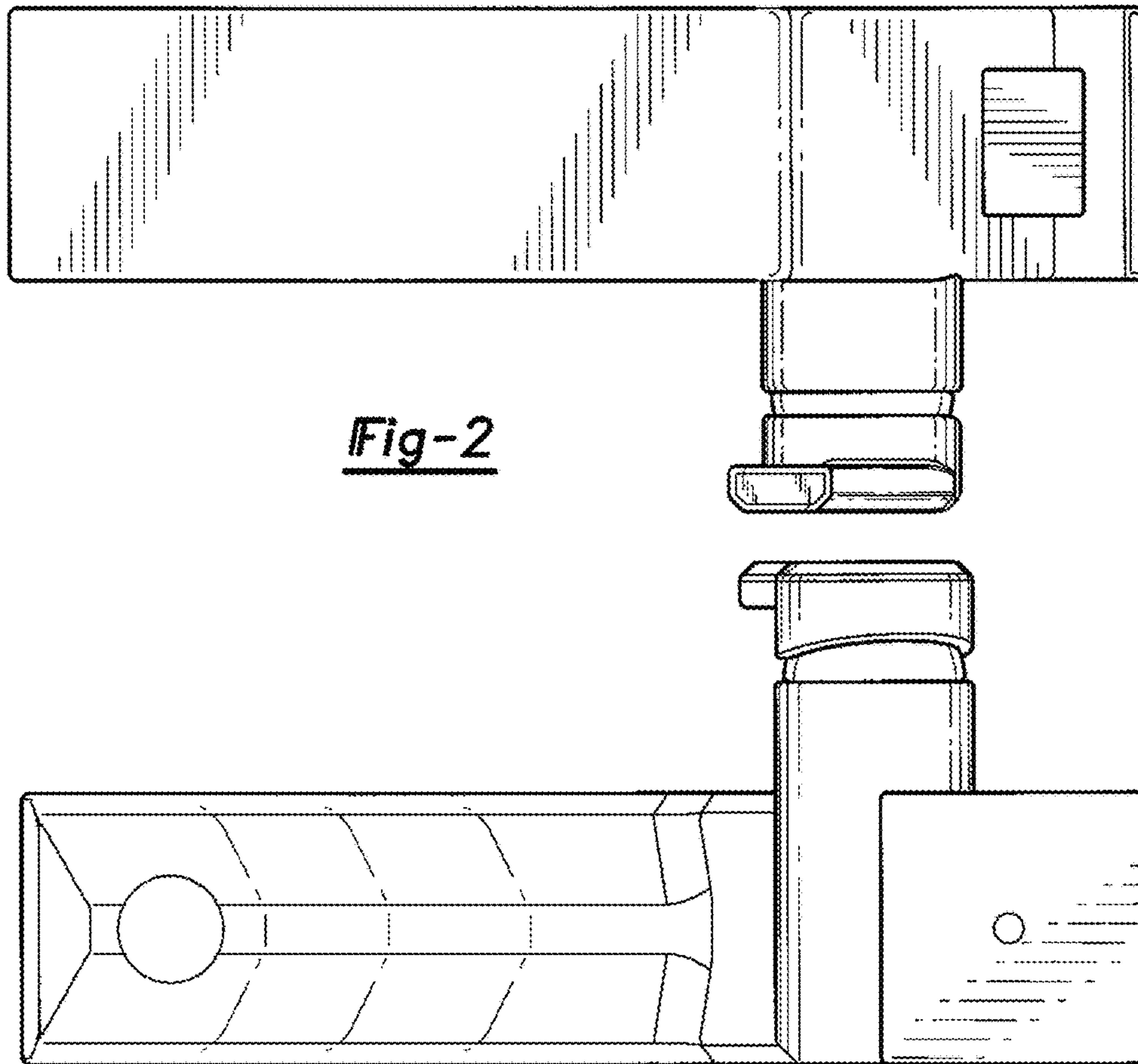


Fig-2

Fig-3

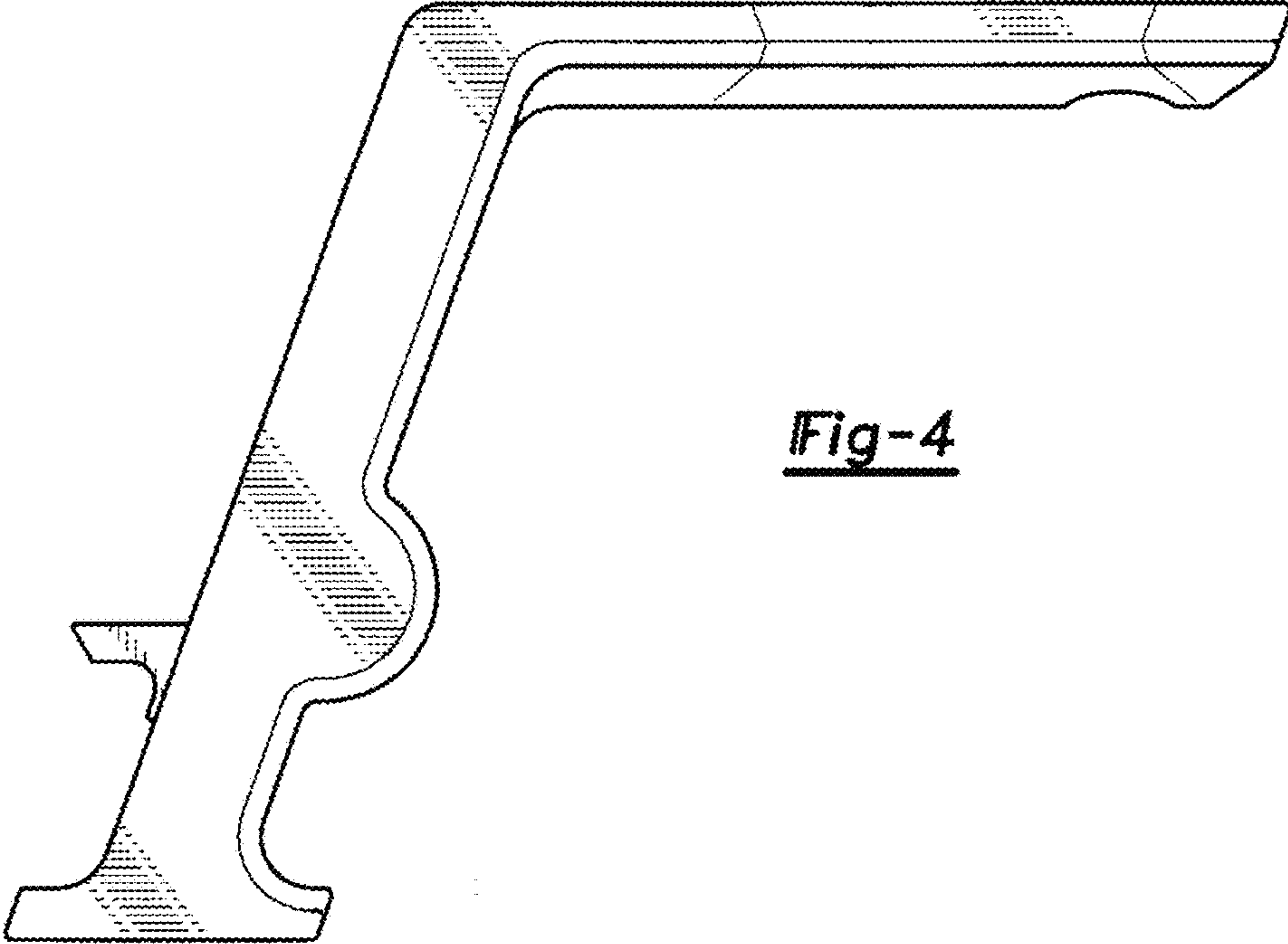


Fig-4

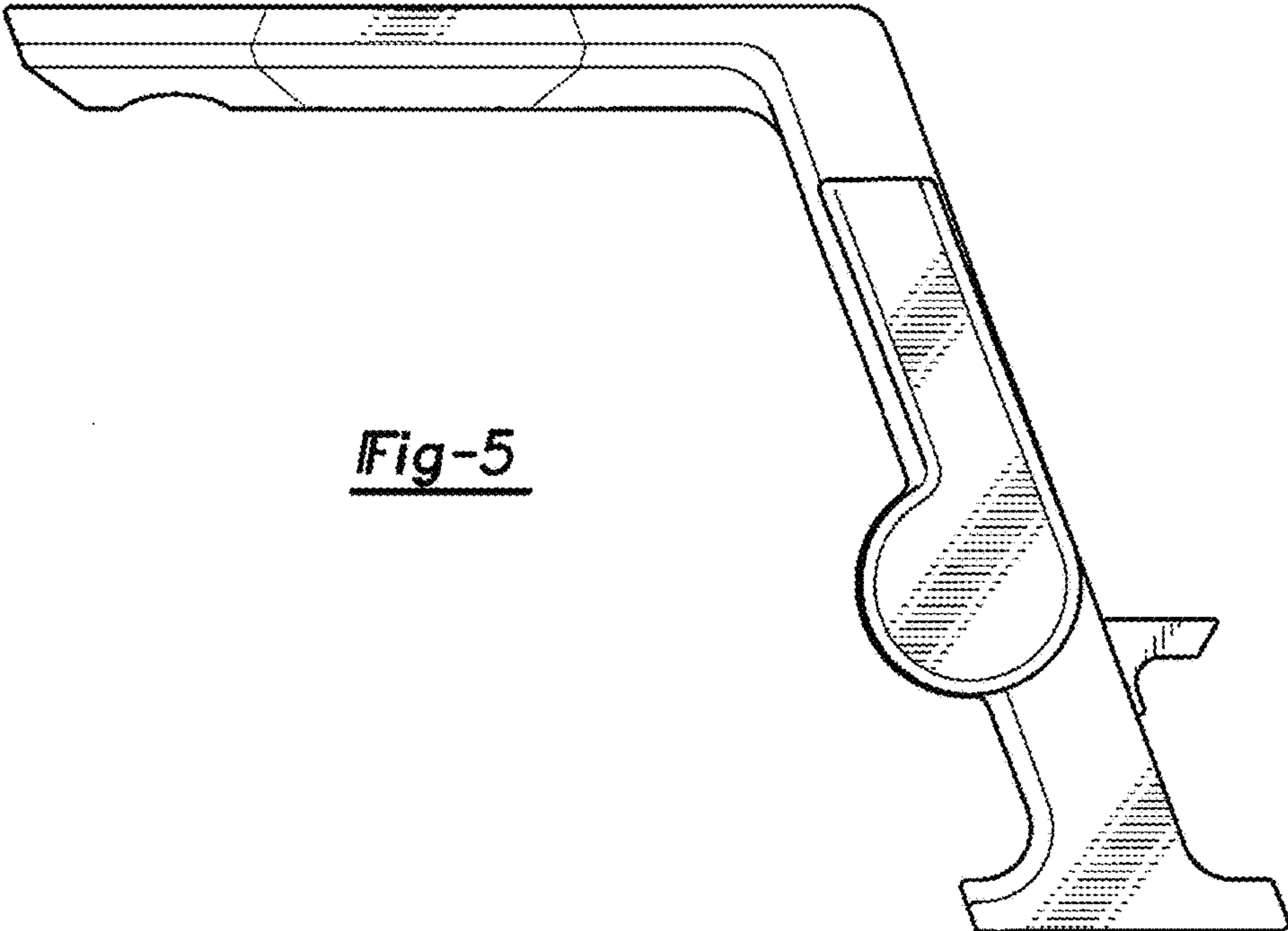


Fig-5

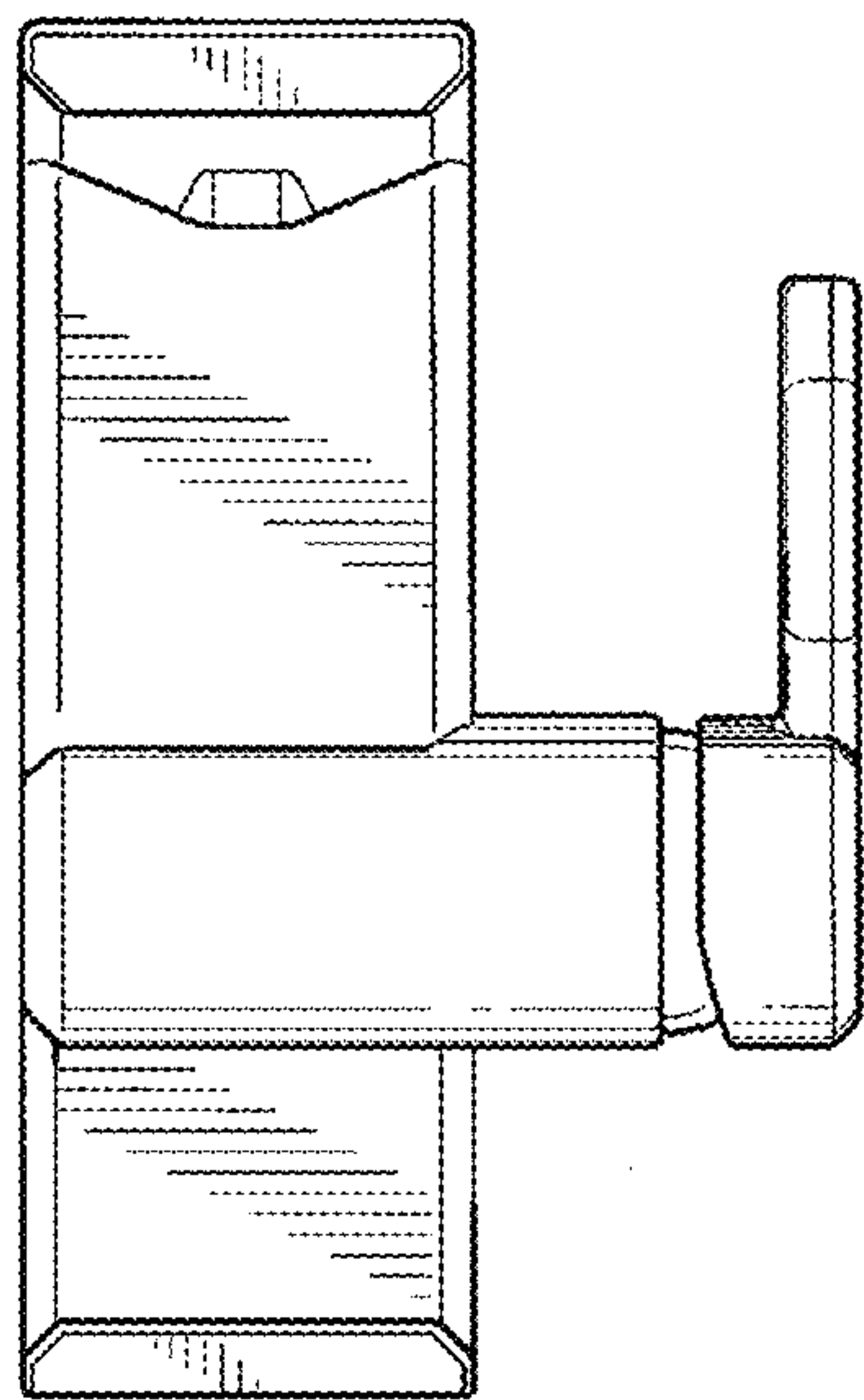


Fig-6

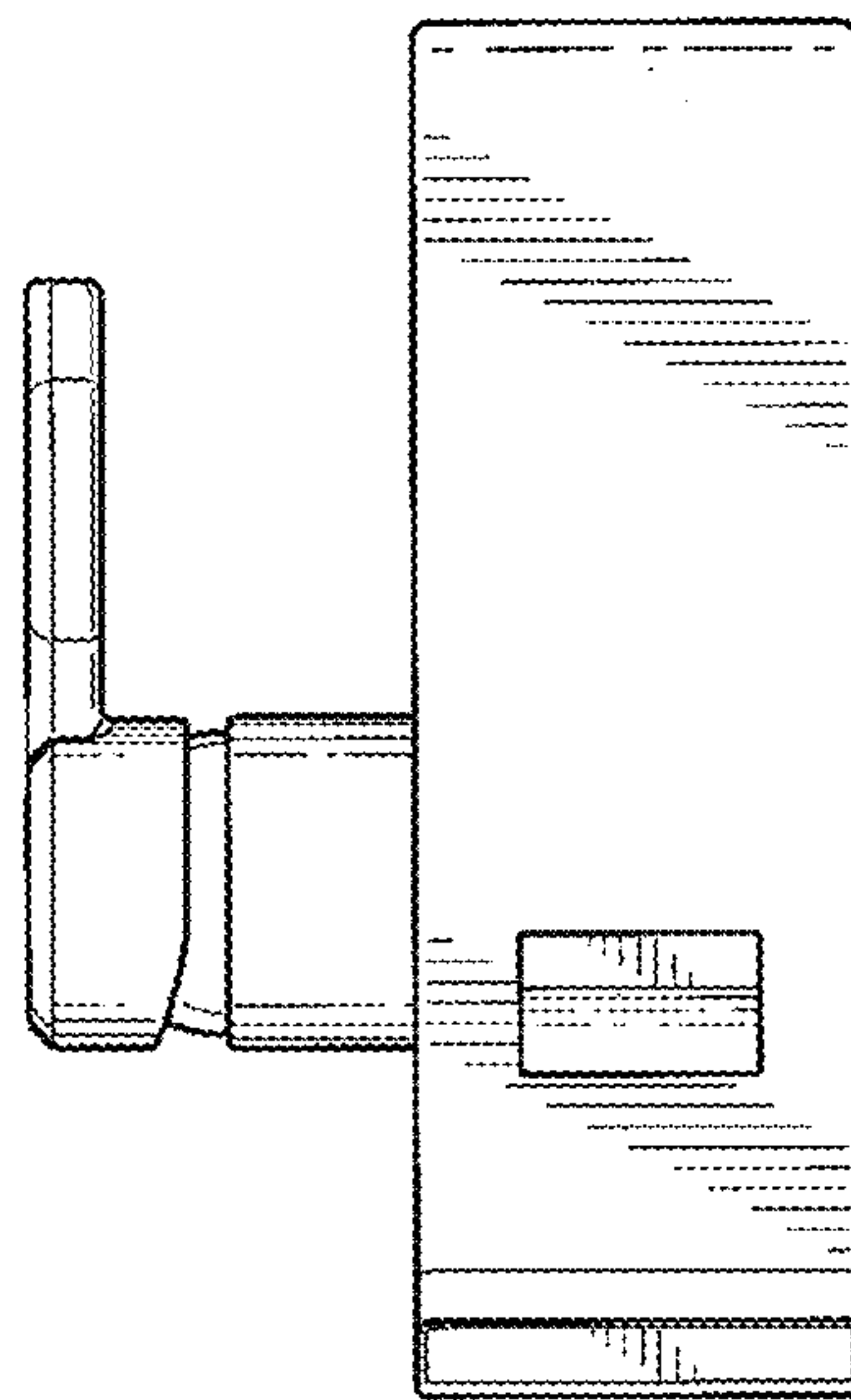


Fig-7