



US00D800261S

(12) **United States Design Patent**
Huat

(10) **Patent No.:** **US D800,261 S**

(45) **Date of Patent:** **** Oct. 17, 2017**

(54) **WATER FAUCET**

E03C 1/0412; G05D 7/0629; Y10T
137/9464

See application file for complete search history.

(71) Applicant: **NEP HOLDINGS (MALAYSIA)**
BHD, Seri Kembangan, Selangor (MY)

(56) **References Cited**

U.S. PATENT DOCUMENTS

(72) Inventor: **Lim Chang Huat**, Seri Kembangan
(MY)

D337,812 S * 7/1993 Bray D23/238
D529,996 S * 10/2006 Martinez D23/238
8,348,229 B2 * 1/2013 Burns E03C 1/057
251/129.04
D687,517 S * 8/2013 Miles D23/238

(73) Assignee: **NEP HOLDINGS (MALAYSIA)**
BHD, Seri Kembangan (MY)

* cited by examiner

(**) Term: **15 Years**

Primary Examiner — Robert Delehanty

(74) *Attorney, Agent, or Firm* — Maschoff Brennan

(21) Appl. No.: **29/557,682**

(57) **CLAIM**

The ornamental design for a water faucet, as shown and described.

(22) Filed: **Mar. 10, 2016**

DESCRIPTION

(51) **LOC (10) Cl.** **23-01**

(52) **U.S. Cl.**

USPC **D23/238**

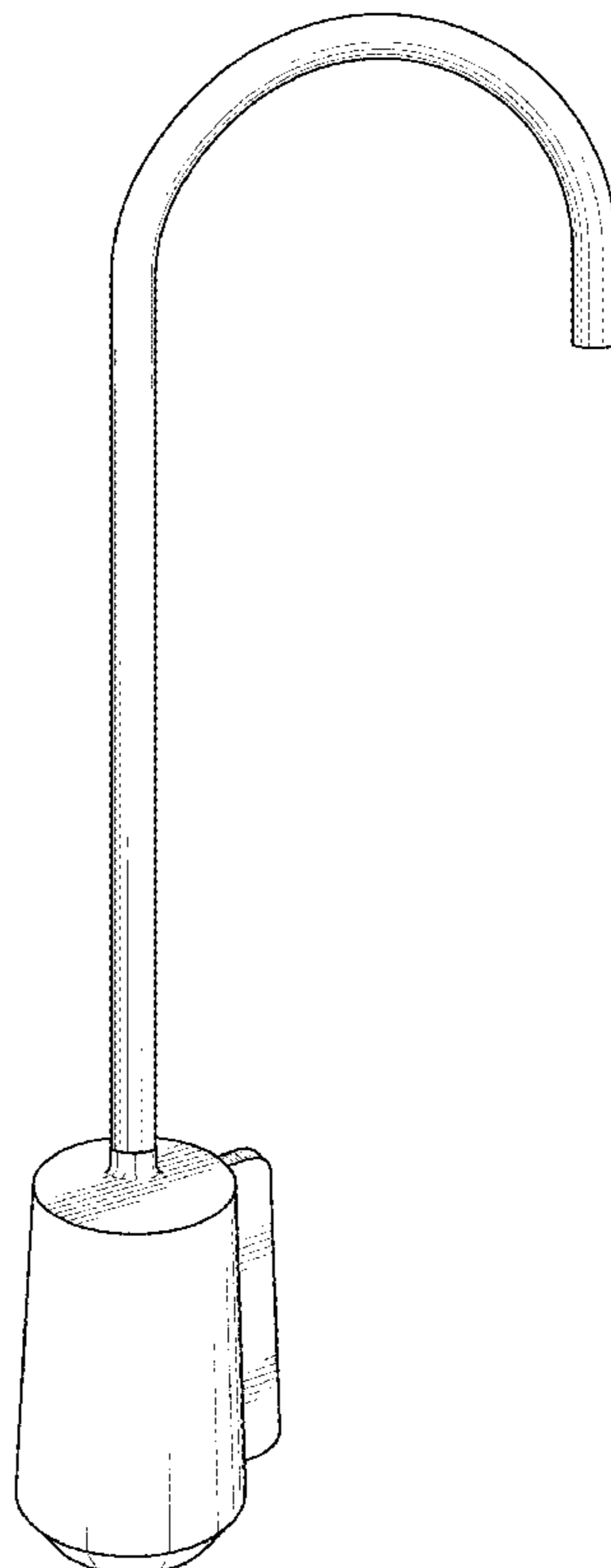
(58) **Field of Classification Search**

USPC D23/238–243, 249, 255, 257, 250, 252,
D23/254

CPC E03C 1/0404; E03C 1/0409; E03C 1/02;
E03C 1/023; E03C 1/05; E03C 1/0411;

FIG. 1 is a perspective view of a water faucet
FIG. 2 is a front view of the water faucet shown in FIG. 1;
FIG. 3 is a back view of the water faucet shown in FIG. 1;
FIG. 4 is a left side view of the water faucet shown in FIG.
1;
FIG. 5 is a right side view of the water faucet shown in FIG.
1;
FIG. 6 is a top view of the water faucet shown in FIG. 1; and,
FIG. 7 is a bottom view of the water faucet shown in FIG.
1.

1 Claim, 7 Drawing Sheets



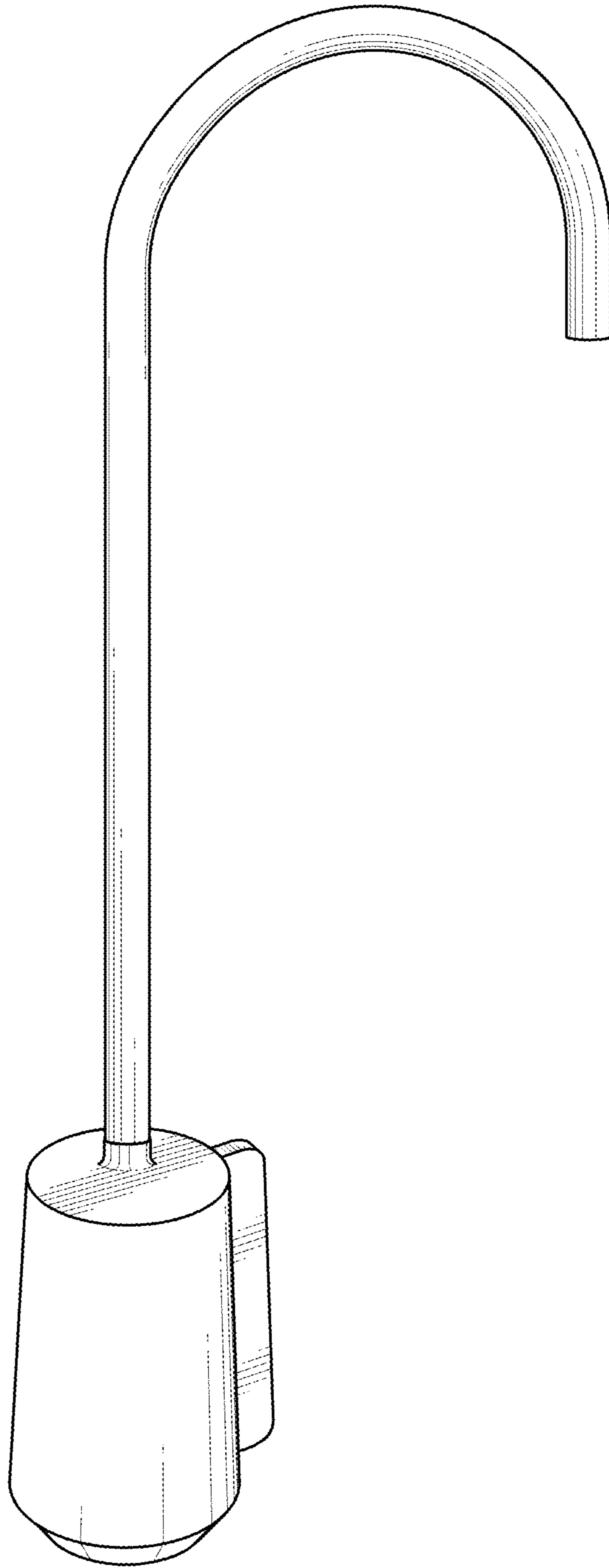


FIG. 1

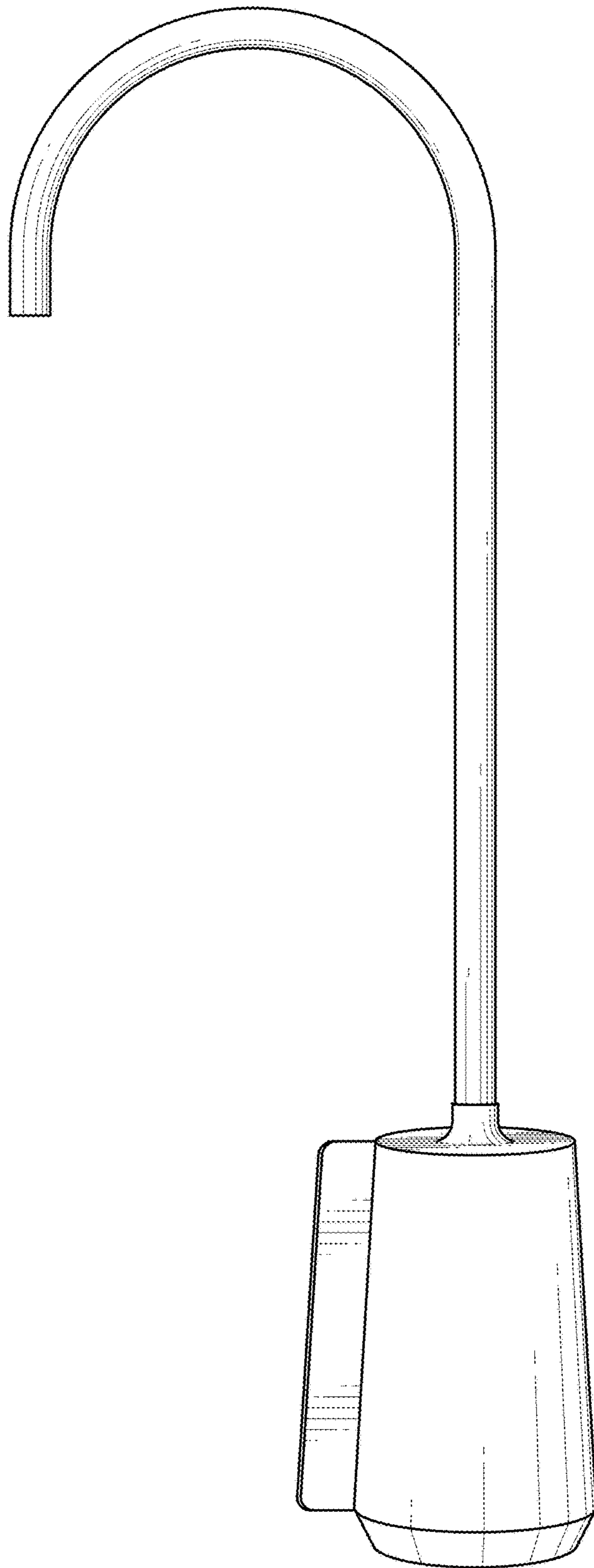


FIG. 2

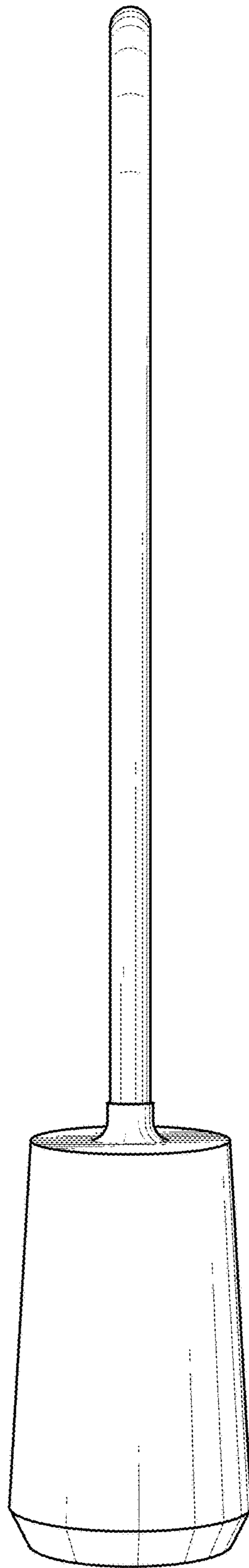


FIG. 3

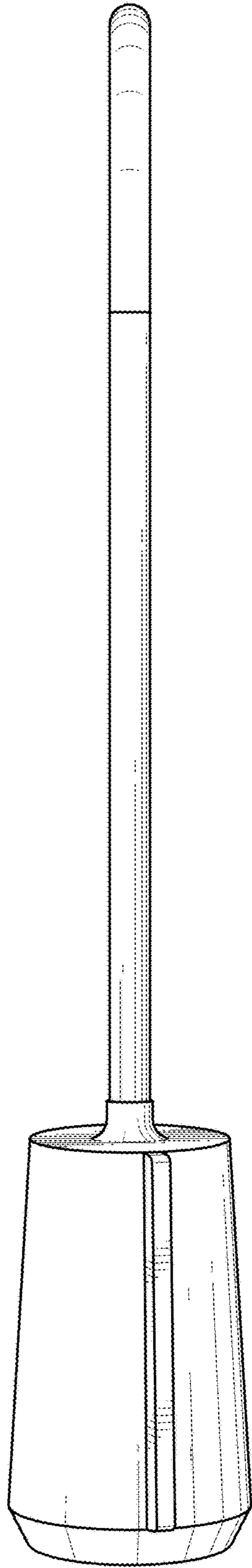


FIG. 4

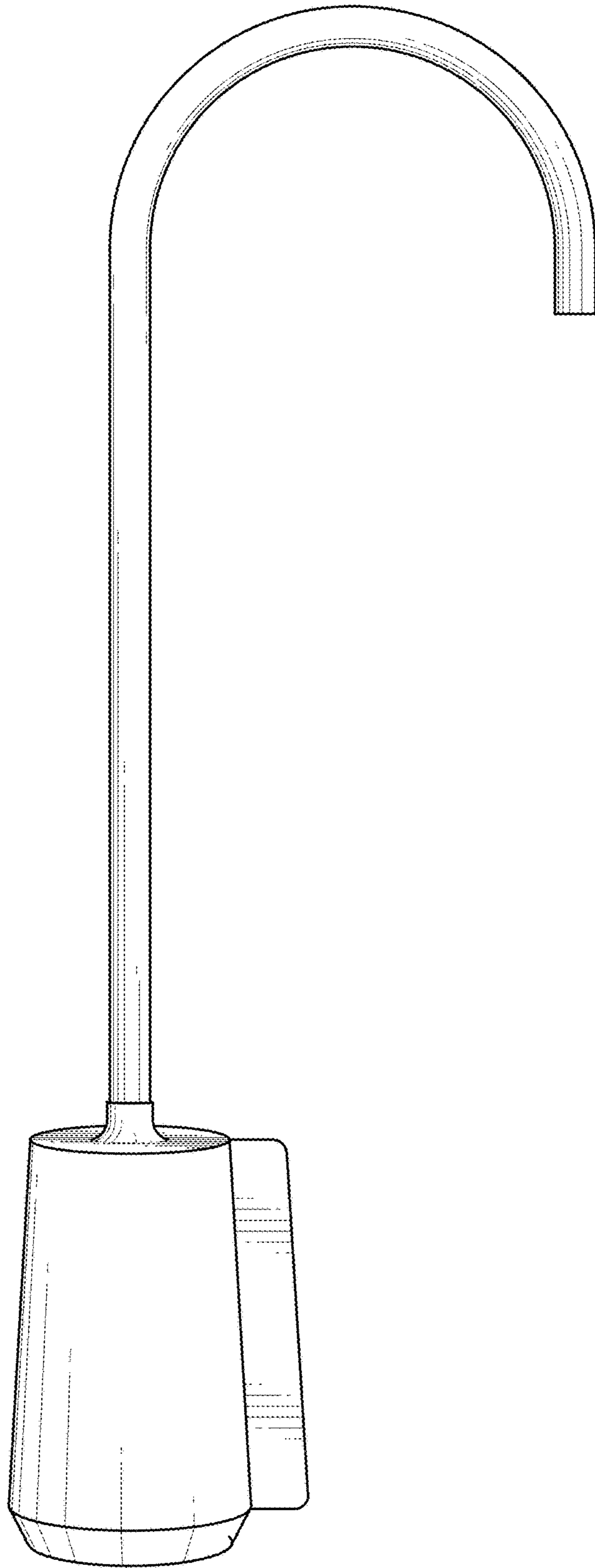


FIG. 5

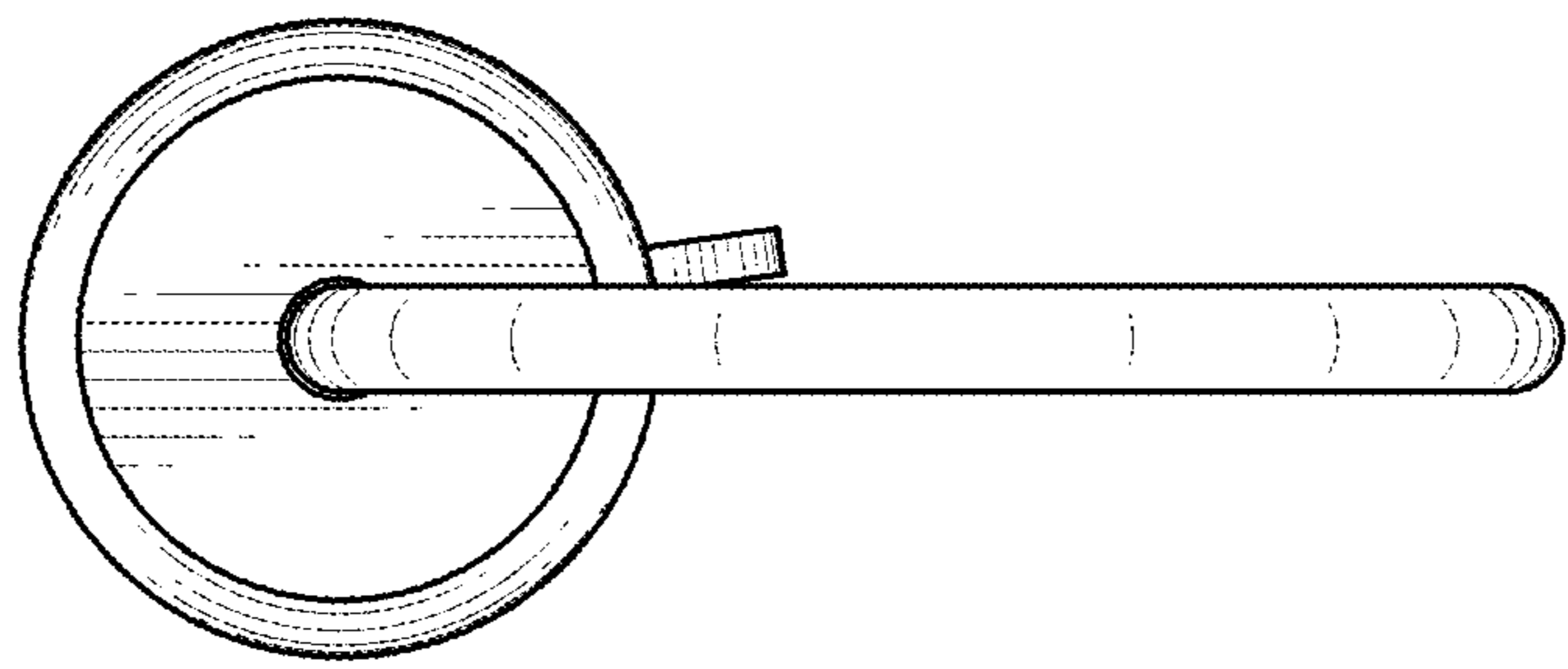


FIG. 6

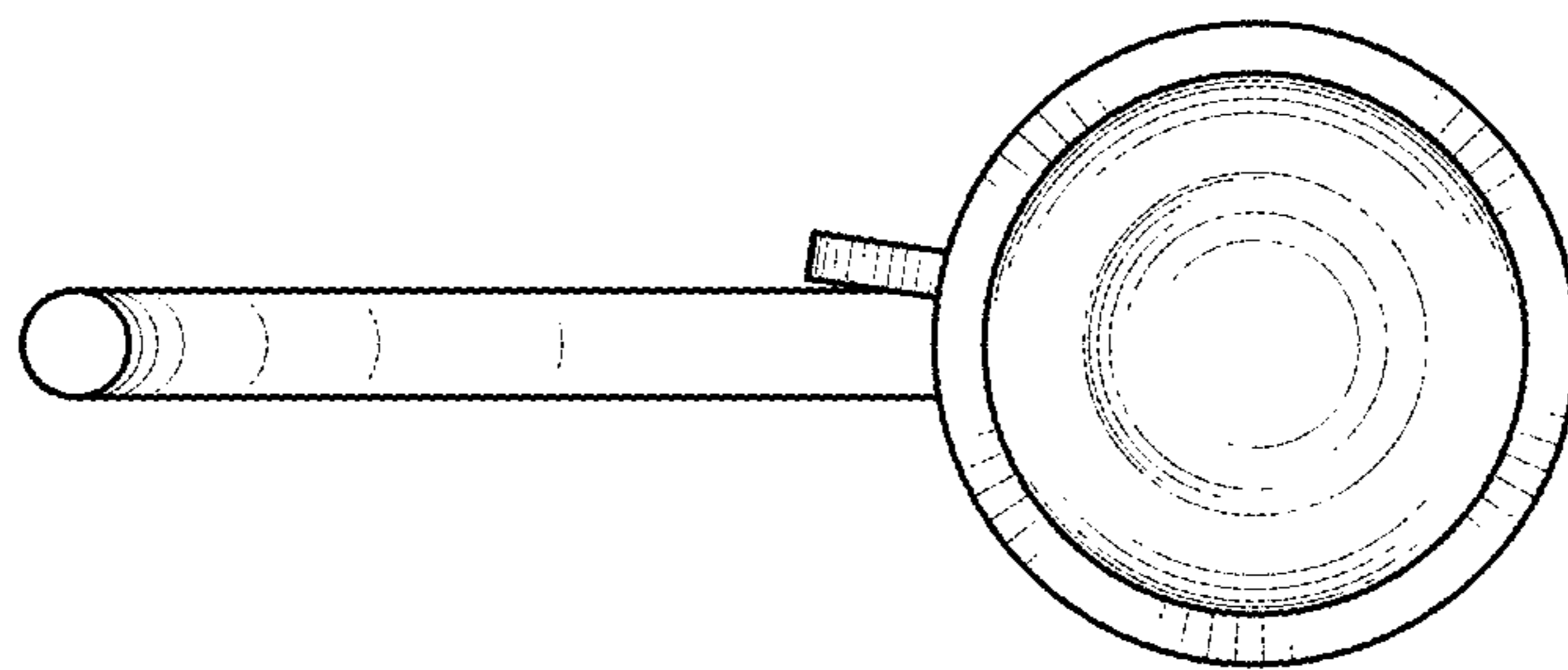


FIG. 7