



US00D800260S

(12) **United States Design Patent** (10) **Patent No.:** **US D800,260 S**
Fritz (45) **Date of Patent:** **** Oct. 17, 2017**

(54) **FAUCET HUB**

D581,027 S * 11/2008 Dolan D23/255
D642,661 S * 8/2011 Corbett D23/238
D754,820 S * 4/2016 Bahler D23/238

(71) Applicant: **DELTA FAUCET COMPANY,**
Indianapolis, IN (US)

* cited by examiner

(72) Inventor: **Seth Fritz,** Carmel, IN (US)

Primary Examiner — Robert A Delehanty

(73) Assignee: **DELTA FAUCET COMPANY,**
Indianapolis, IN (US)

(74) *Attorney, Agent, or Firm* — Edgar A. Zarins; Nirav
D. Parikh

(**) Term: **15 Years**

(21) Appl. No.: **29/555,406**

(57) **CLAIM**

(22) Filed: **Feb. 22, 2016**

The ornamental design for a faucet hub, as shown and
described.

(51) **LOC (10) Cl.** **23-01**

(52) **U.S. Cl.**
USPC **D23/238**

DESCRIPTION

(58) **Field of Classification Search**
USPC D23/238–243, 249, 255, 257, 245;
D8/300, 307–308, 310
CPC . E03C 1/00; E03C 1/04; E03C 1/0401; E03C
1/0402; E03C 1/0404; E03C 1/02; E03C
1/021; E03C 1/0403; F16K 27/06; F16K
27/067; F16K 27/0657

FIG. 1 is a perspective view of a faucet hub showing my new
design;
FIG. 2 is a first side view thereof, the opposite side being a
mirror image of the side shown;
FIG. 3 is a third side view thereof;
FIG. 4 is a fourth side view thereof;
FIG. 5 is a top end view thereof; and,
FIG. 6 is a bottom view thereof.

See application file for complete search history.

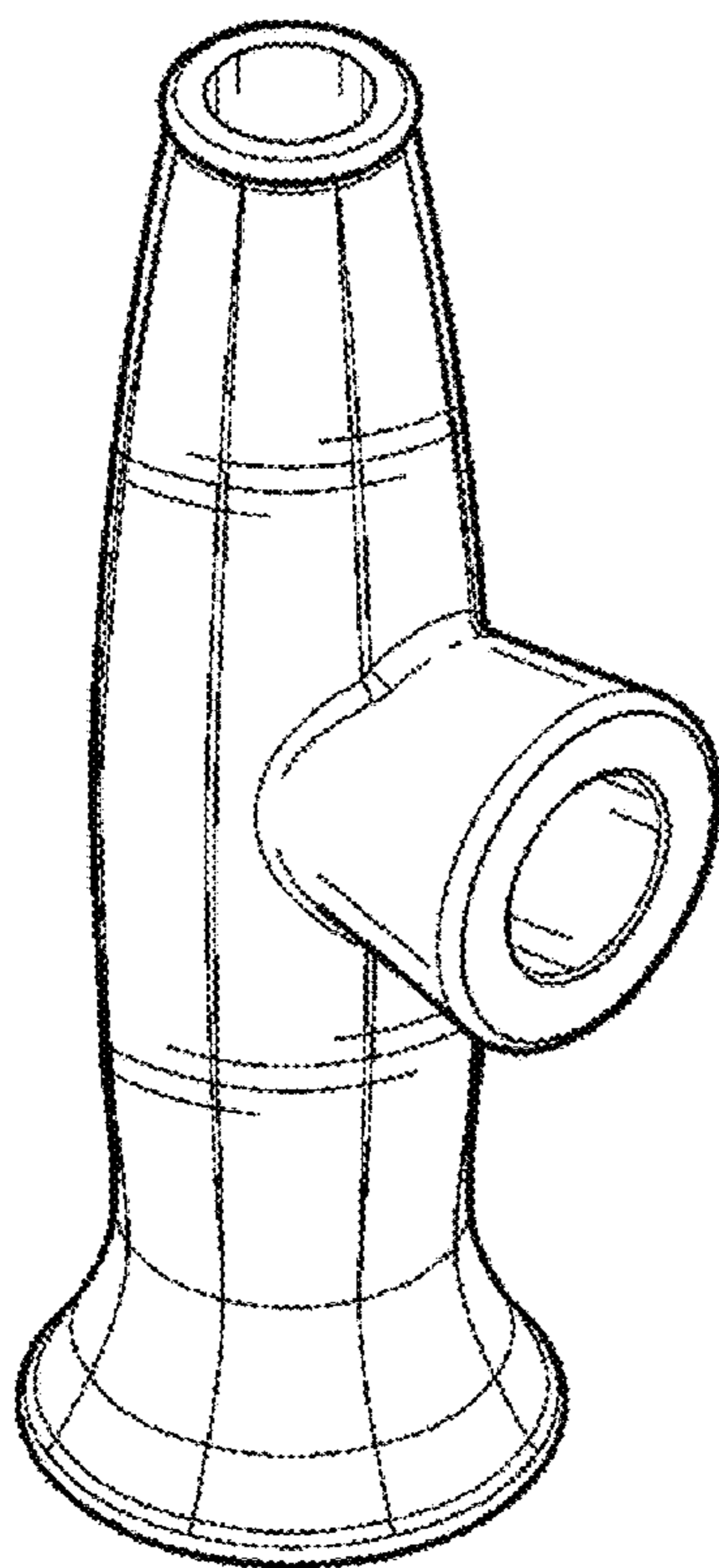
The broken lines showing an aperture are included for the
purpose of illustrating a portion of the faucet hub and form
no part of the claimed design.

(56) **References Cited**

U.S. PATENT DOCUMENTS

D533,632 S * 12/2006 Kennard D23/238
D554,236 S * 10/2007 Dolan D23/255

1 Claim, 2 Drawing Sheets



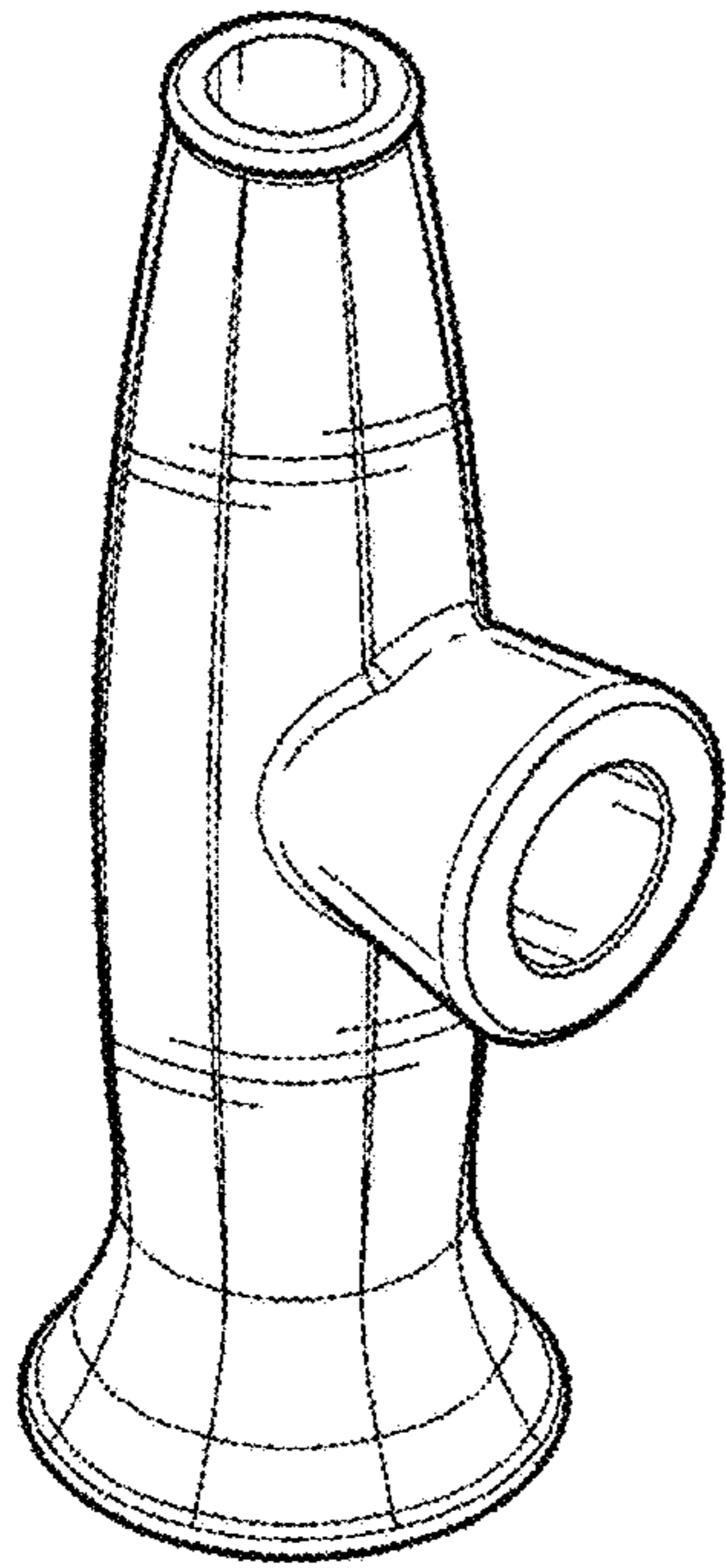


Fig-1

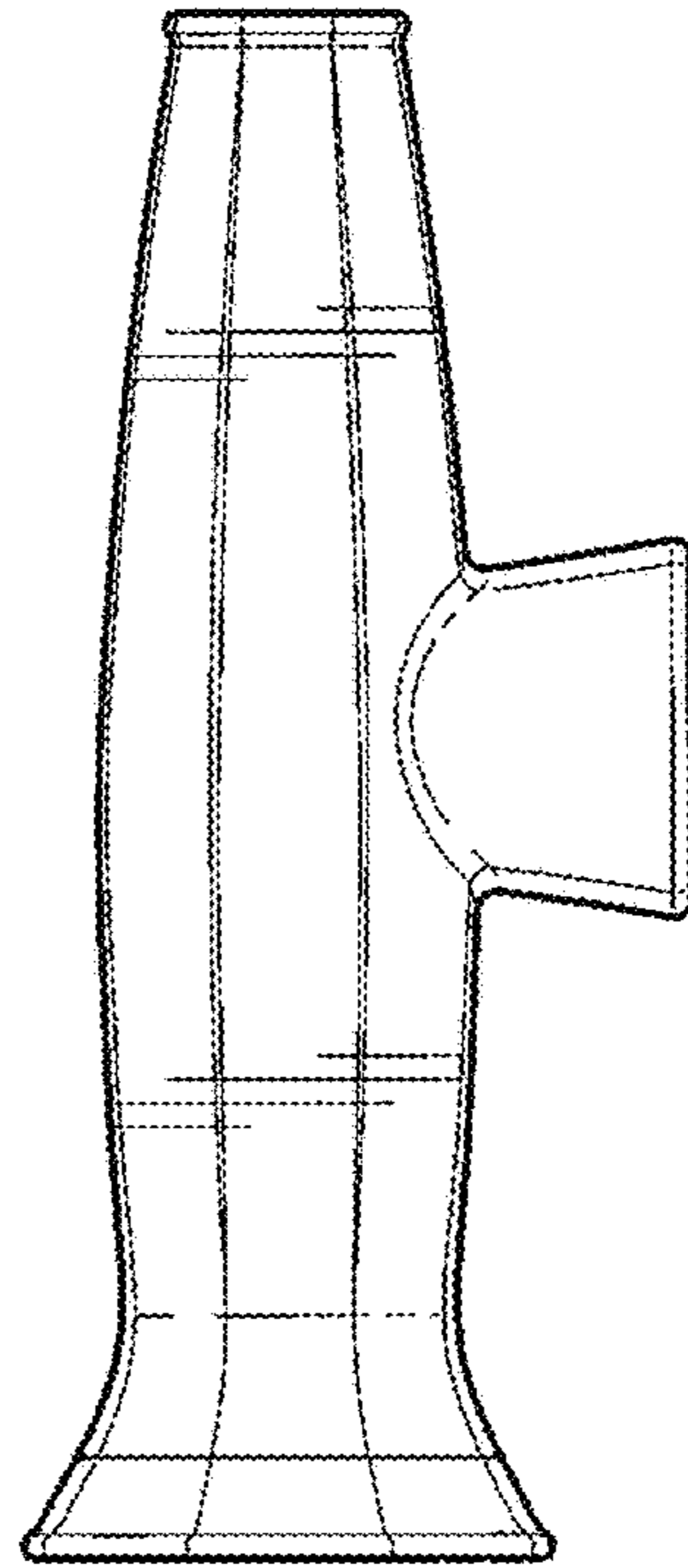


Fig-2

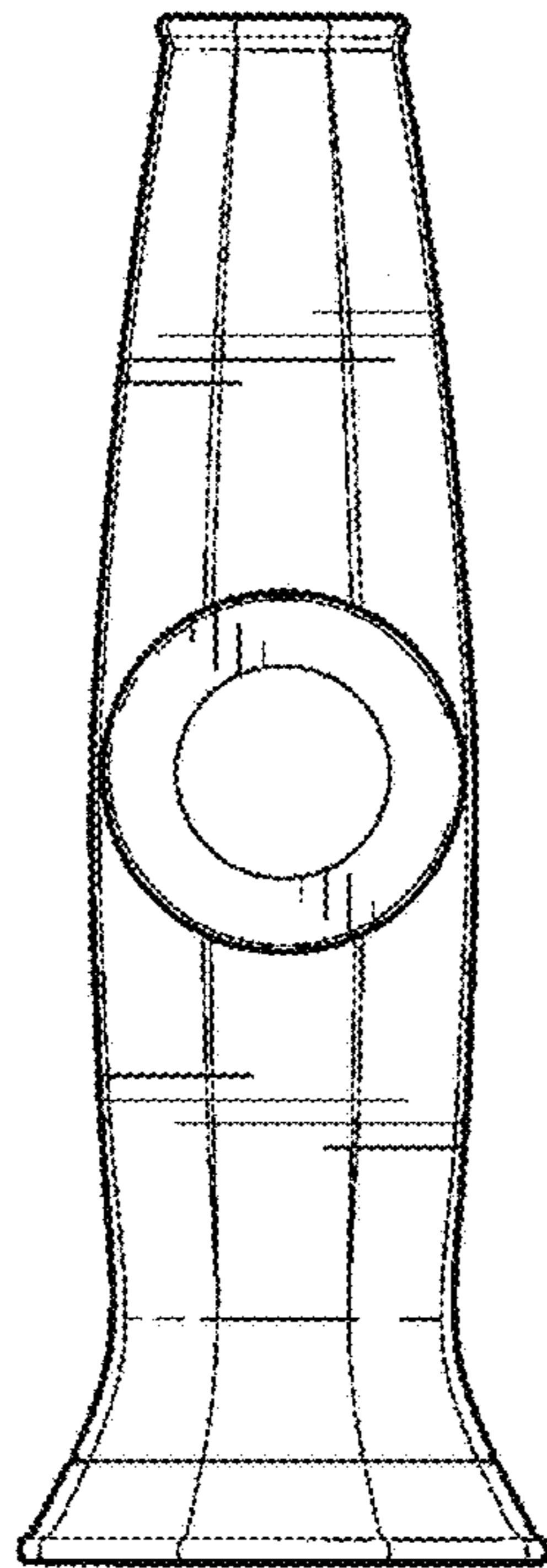


Fig-3

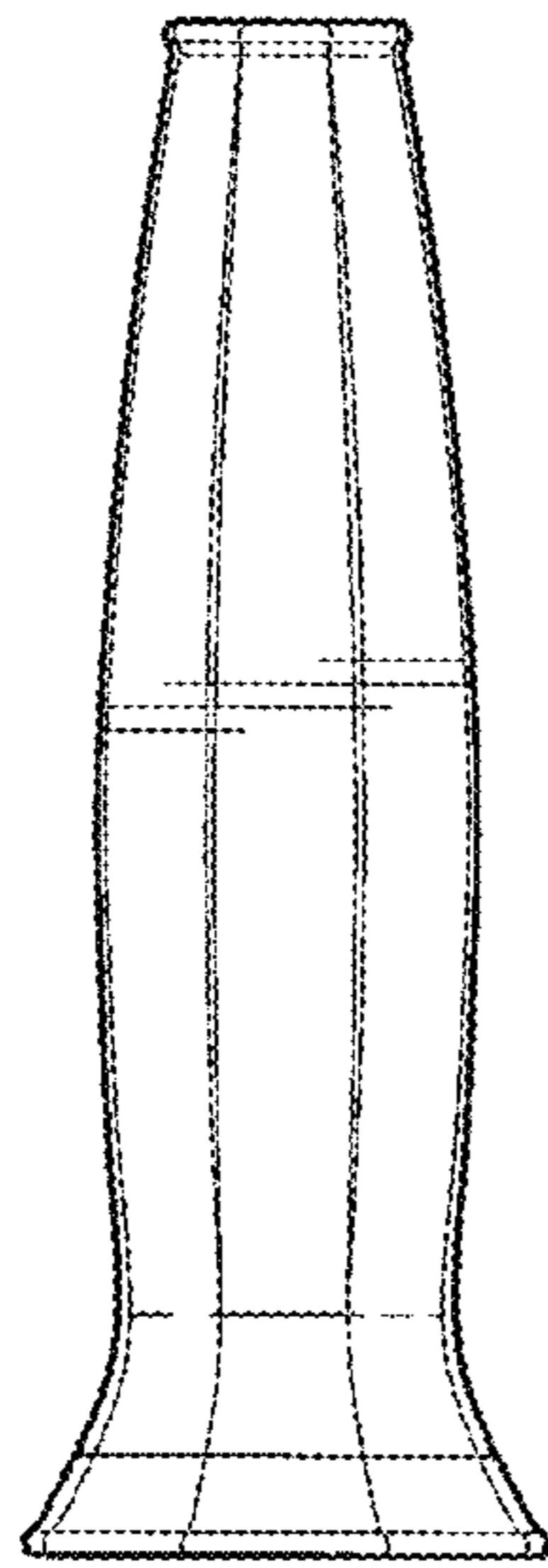


Fig-4

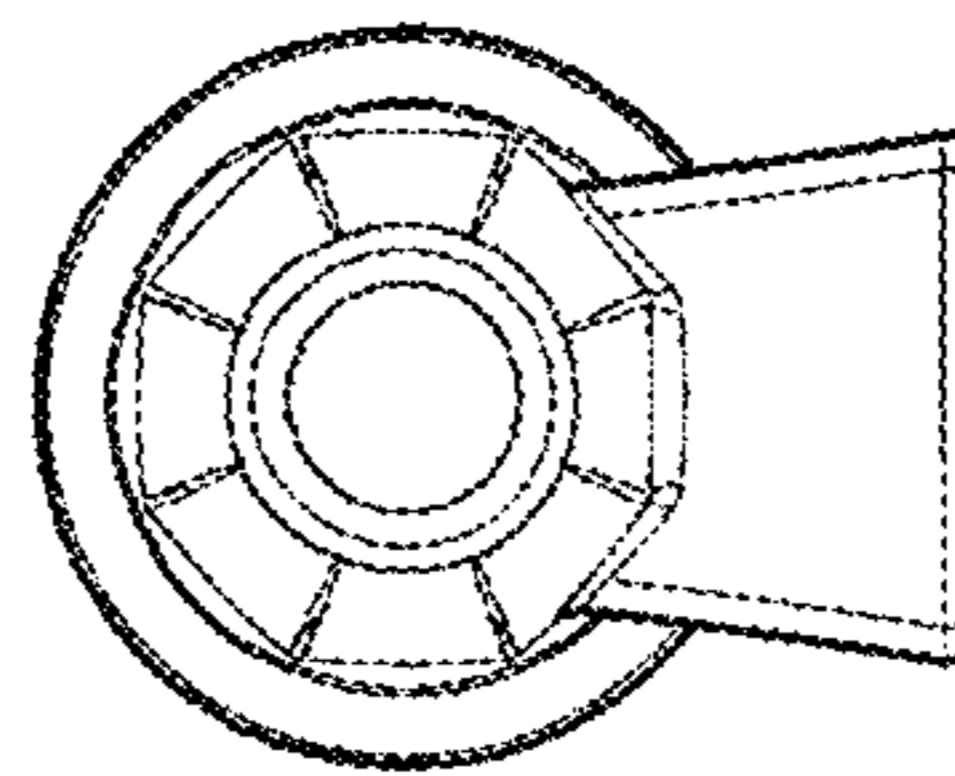


Fig-5

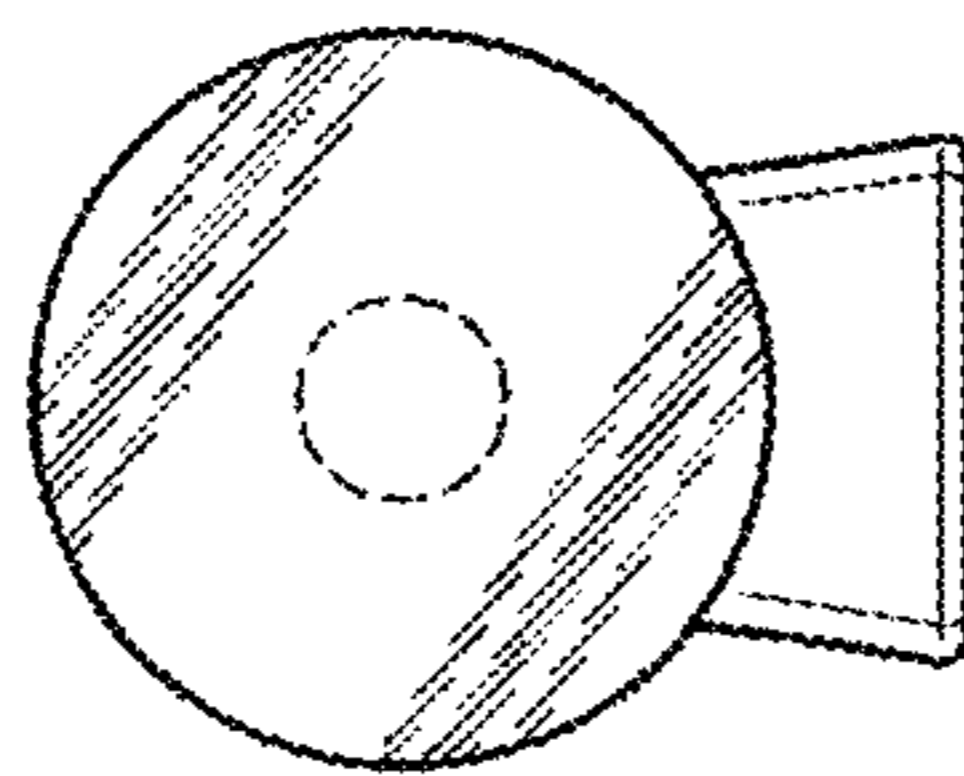


Fig-6