



US00D800259S

(12) **United States Design Patent**  
**Fritz**

(10) **Patent No.:** **US D800,259 S**

(45) **Date of Patent:** **\*\* Oct. 17, 2017**

(54) **FAUCET**

(71) Applicant: **DELTA FAUCET COMPANY,**  
Indianapolis, IN (US)

(72) Inventor: **Seth Fritz,** Carmel, IN (US)

(73) Assignee: **DELTA FAUCET COMPANY,**  
Indianapolis, IN (US)

(\*\*) Term: **15 Years**

(21) Appl. No.: **29/555,384**

(22) Filed: **Feb. 22, 2016**

(51) **LOC (10) Cl.** ..... **23-01**

(52) **U.S. Cl.**  
USPC ..... **D23/238**

(58) **Field of Classification Search**  
USPC ..... D23/238-242, 249-250, 252, 254-255,  
D23/257, 245; D8/300, 307-308, 310  
CPC . E03C 1/00; E03C 1/04; E03C 1/0401; E03C  
1/0402; E03C 1/0404; E03C 1/02; E03C  
1/021; E03C 1/0403; F16K 27/06; F16K  
27/067; F16K 27/0657

See application file for complete search history.

(56) **References Cited**

**U.S. PATENT DOCUMENTS**

D438,935 S \* 3/2001 Mark ..... D23/238  
D532,869 S \* 11/2006 Lobermeier ..... D23/238

D533,632 S \* 12/2006 Kennard ..... D23/238  
D554,236 S \* 10/2007 Dolan ..... D23/255  
D581,027 S \* 11/2008 Dolan ..... D23/255  
7,699,241 B2 \* 4/2010 Benstead ..... E03C 1/0404  
239/1  
D642,661 S \* 8/2011 Corbett ..... D23/238  
D754,301 S \* 4/2016 Bahler ..... D23/255  
D754,820 S \* 4/2016 Bahler ..... D23/238

\* cited by examiner

*Primary Examiner* — Robert A Delehanty

(74) *Attorney, Agent, or Firm* — Edgar A. Zarins; Nirav  
D. Parikh

(57) **CLAIM**

The ornamental design for a faucet, as shown and described.

**DESCRIPTION**

FIG. 1 is a perspective view of a faucet showing my new design;

FIG. 2 is a front elevational view thereof;

FIG. 3 is a rear view thereof;

FIG. 4 is a right side view thereof;

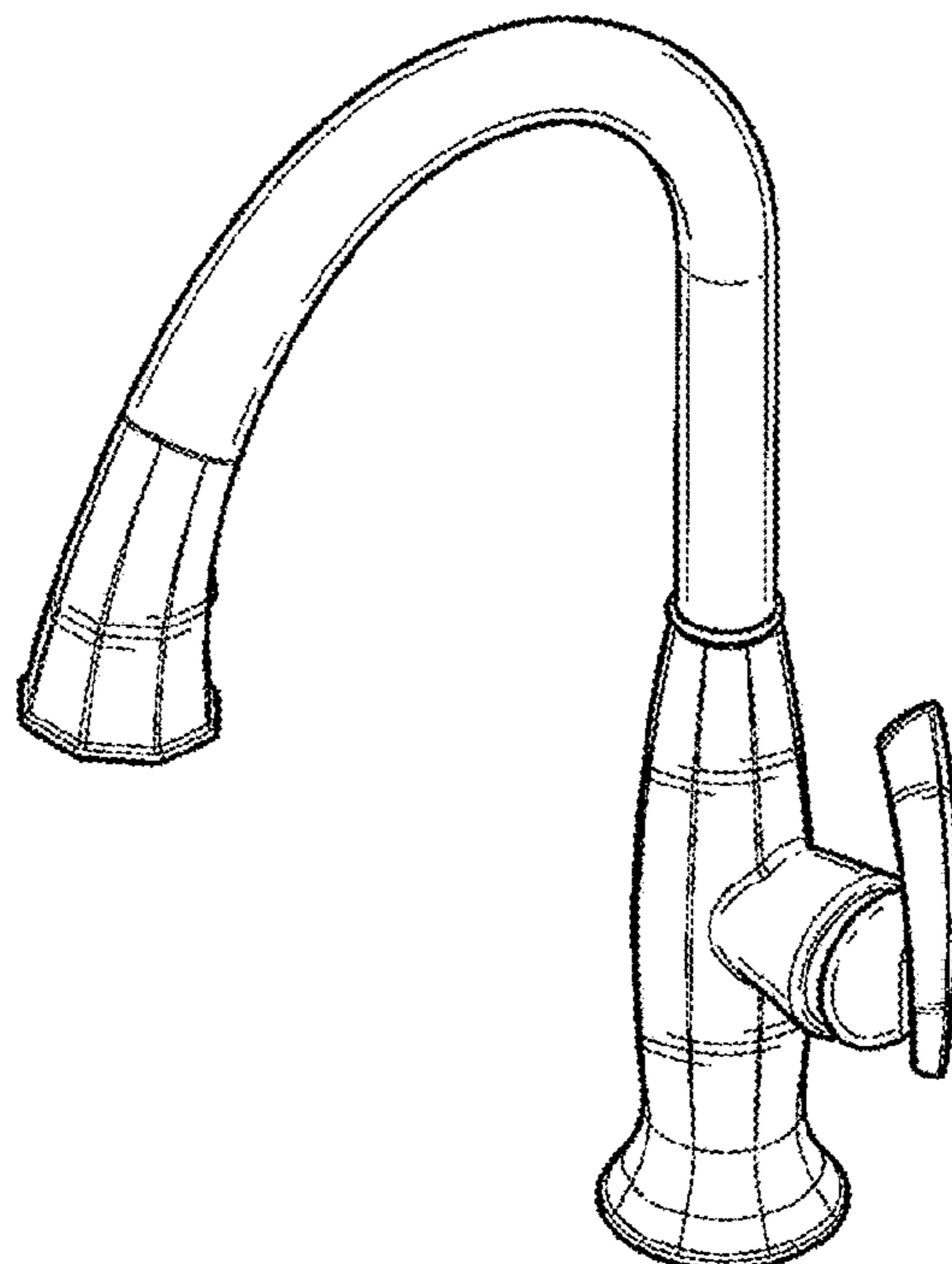
FIG. 5 is a left side view thereof;

FIG. 6 is a top plan view thereof; and,

FIG. 7 is a bottom view thereof.

The broken lines showing an aperture are included for the purpose of illustrating a portion of the faucet and form no part of the claimed design.

**1 Claim, 3 Drawing Sheets**



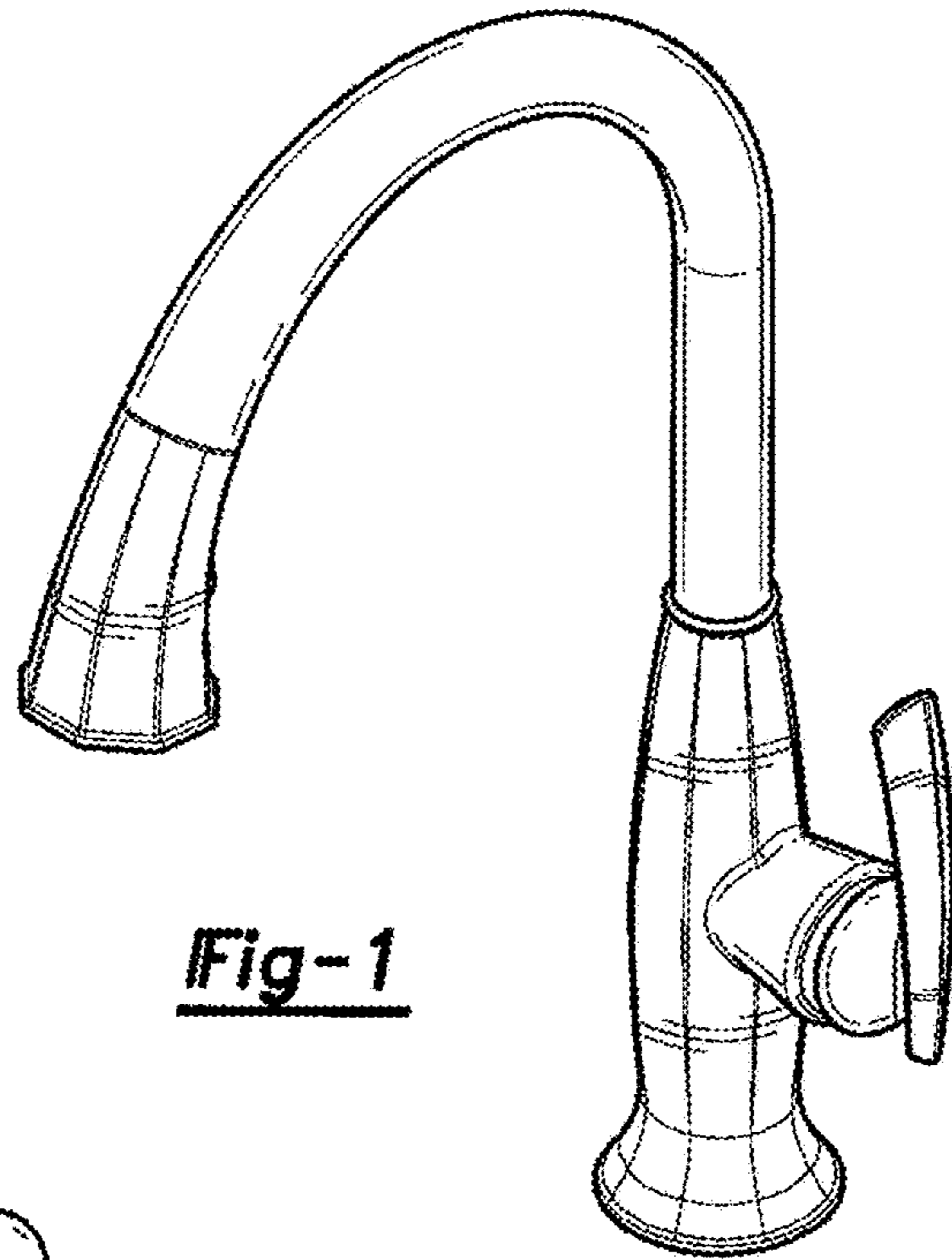


Fig-1

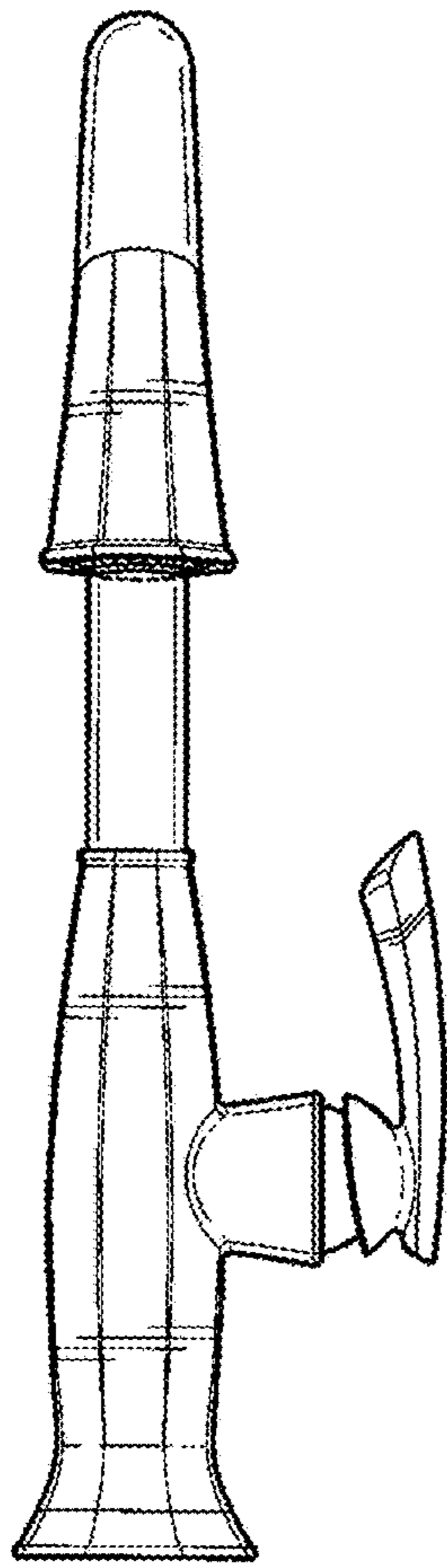


Fig-2

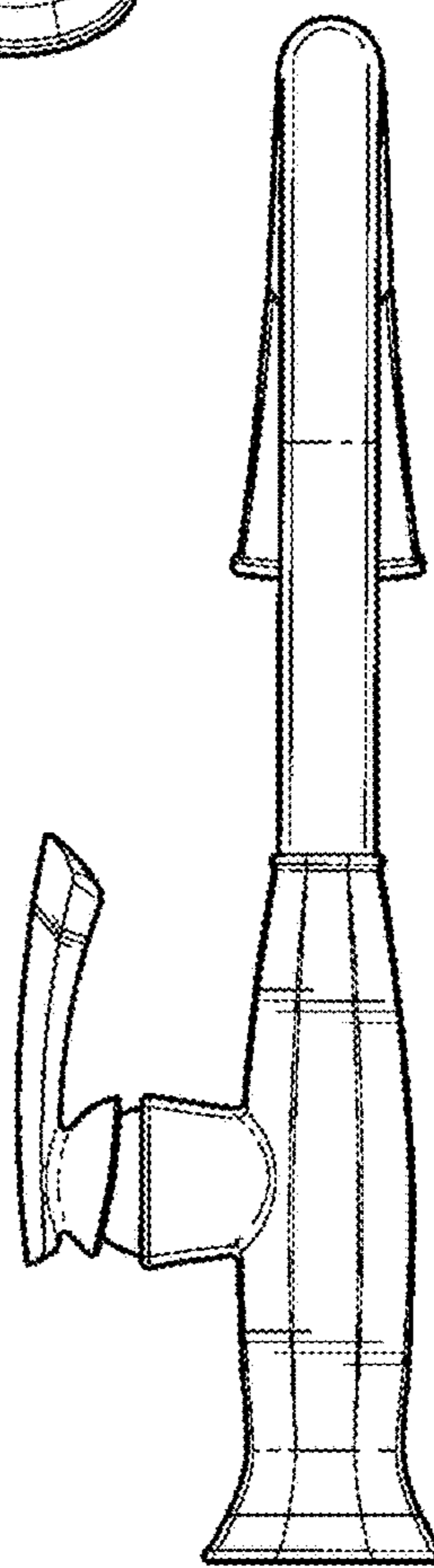


Fig-3

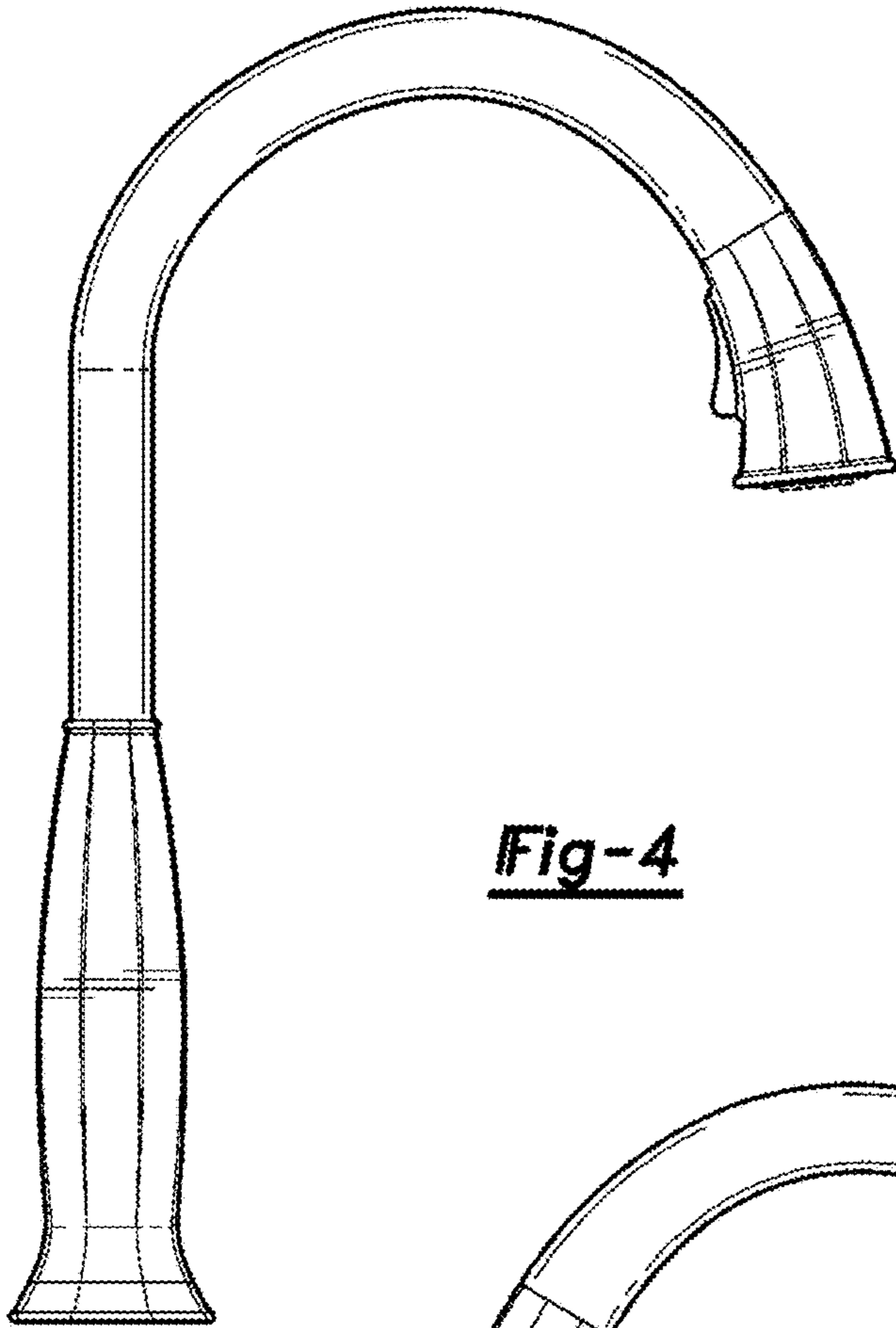


Fig-4

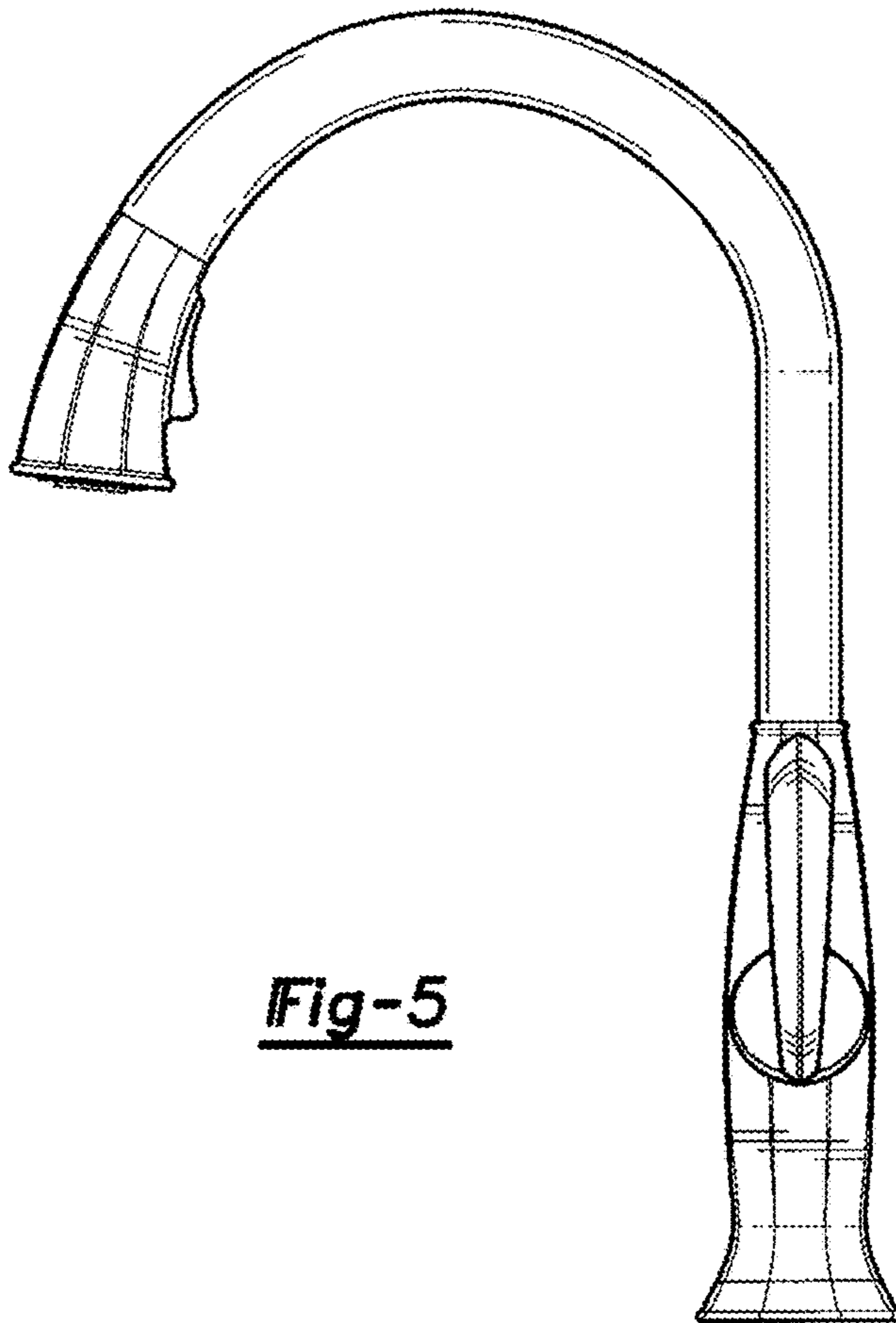


Fig-5

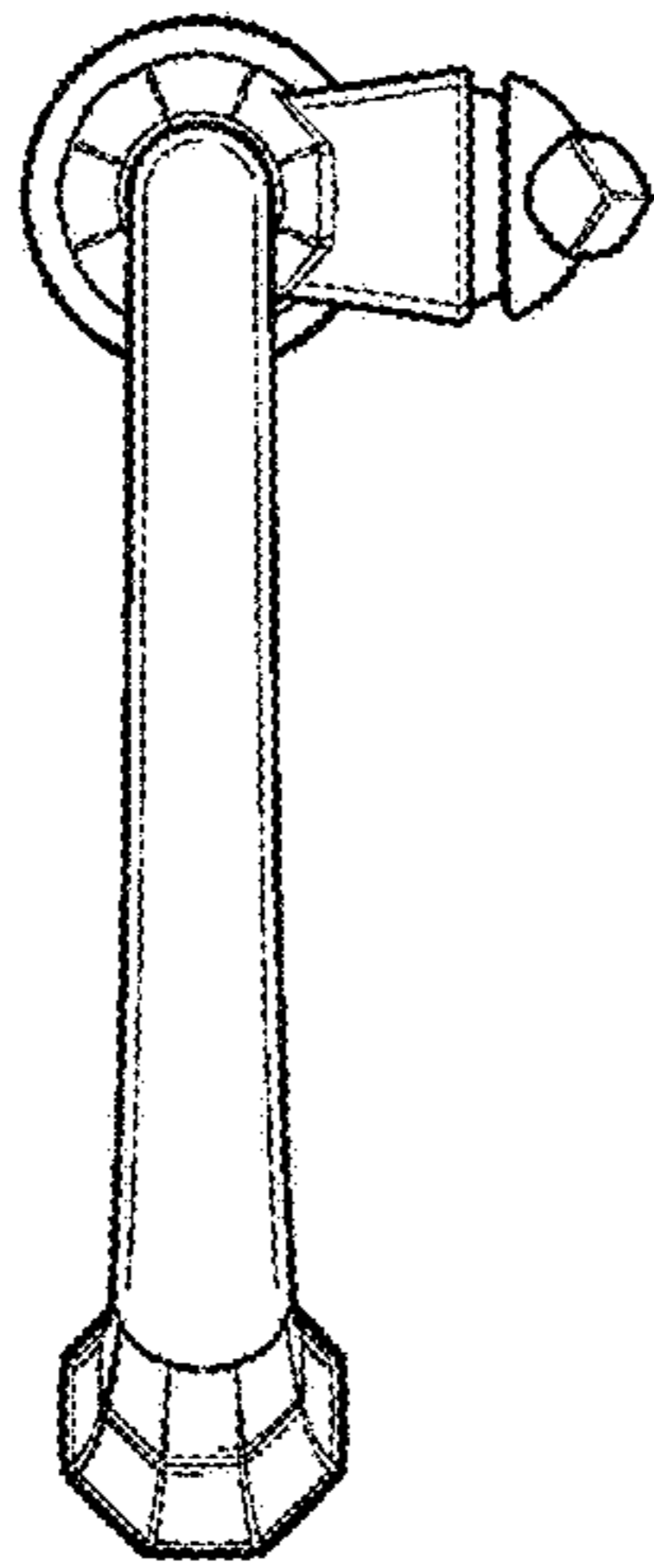


Fig-6

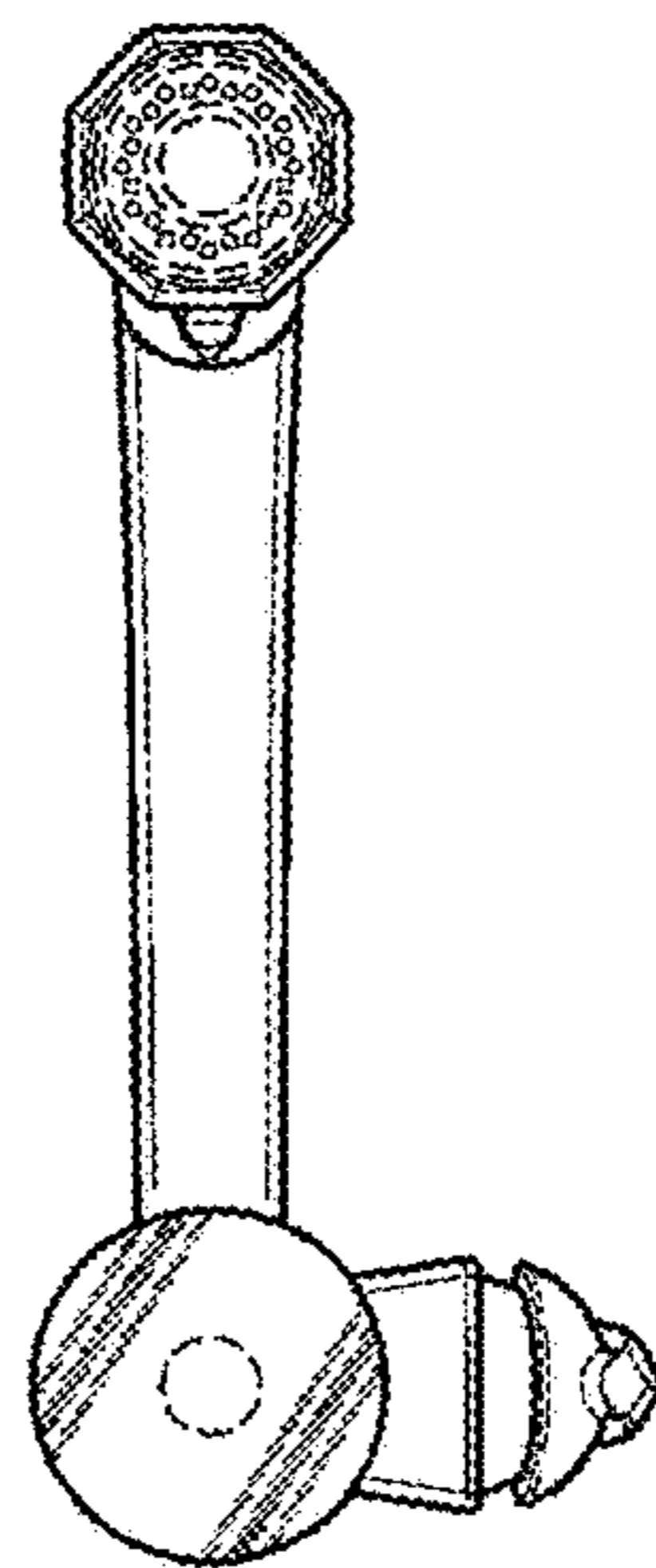


Fig-7