



US00D800255S

(12) **United States Design Patent**
Chen

(10) **Patent No.:** **US D800,255 S**
(45) **Date of Patent:** **** Oct. 17, 2017**

(54) **WATER SPRAYER**

(71) Applicant: **Chin-Yuan Chen**, Changhua (TW)

(72) Inventor: **Chin-Yuan Chen**, Changhua (TW)

(73) Assignee: **Shin Tai Spurt Water of the Garden Tools Co. Ltd.**, Changhua (TW)

(**) Term: **15 Years**

(21) Appl. No.: **29/566,792**

(22) Filed: **Jun. 2, 2016**

(51) **LOC (10) Cl.** **23-01**

(52) **U.S. Cl.**
USPC **D23/226**

(58) **Field of Classification Search**
USPC D23/201, 211, 213, 221, 223, 225, 226,
D23/229
CPC B05B 1/18; B05B 1/00-1/08; B05B 1/20;
B05B 15/063
See application file for complete search history.

6,247,654 B1 * 6/2001 Kuo A62C 31/03
239/443

D446,283 S * 8/2001 Wang D23/226

D453,371 S * 2/2002 Wang D23/226

D453,814 S * 2/2002 Wang D23/226

D454,619 S * 3/2002 Wang D23/226

6,390,390 B1 * 5/2002 Hung B05B 1/3013
239/525

D464,707 S * 10/2002 Wang D23/226

D465,550 S * 11/2002 Wang D23/226

D470,220 S * 2/2003 Nien D23/226

D475,763 S * 6/2003 Kuo D23/226

6,719,219 B1 * 4/2004 Wang B05B 1/1654
239/392

D501,537 S * 2/2005 Zeng D23/226

D501,538 S * 2/2005 Zeng D23/226

D517,645 S * 3/2006 Chang D23/226

D532,077 S * 11/2006 Chen D23/213

D534,240 S * 12/2006 Wang D23/226

D557,768 S * 12/2007 Chih D23/226

D584,794 S * 1/2009 Lo D23/223

(Continued)

Primary Examiner — Robin V Webster
Assistant Examiner — Rachel Voorhies
(74) *Attorney, Agent, or Firm* — Che-Yang Chen; Law
Offices of Scott Warmuth

(56) **References Cited**
U.S. PATENT DOCUMENTS

D225,736 S * 1/1973 Mango D23/226

4,534,512 A * 8/1985 Chow B05B 1/12
222/153.14

D314,609 S * 2/1991 Liaw D23/226

D328,780 S * 8/1992 Aquilina D23/226

D355,953 S * 2/1995 Wang D23/223

D356,144 S * 3/1995 Wang D23/223

D369,853 S * 5/1996 Wang D23/223

D373,814 S * 9/1996 Wang D23/223

D379,491 S * 5/1997 Goodin D23/226

5,873,531 A * 2/1999 Wang B05B 1/1654
239/394

D431,070 S * 9/2000 Hsieh D23/226

6,164,566 A * 12/2000 Hui-Chen B05B 1/1645
239/383

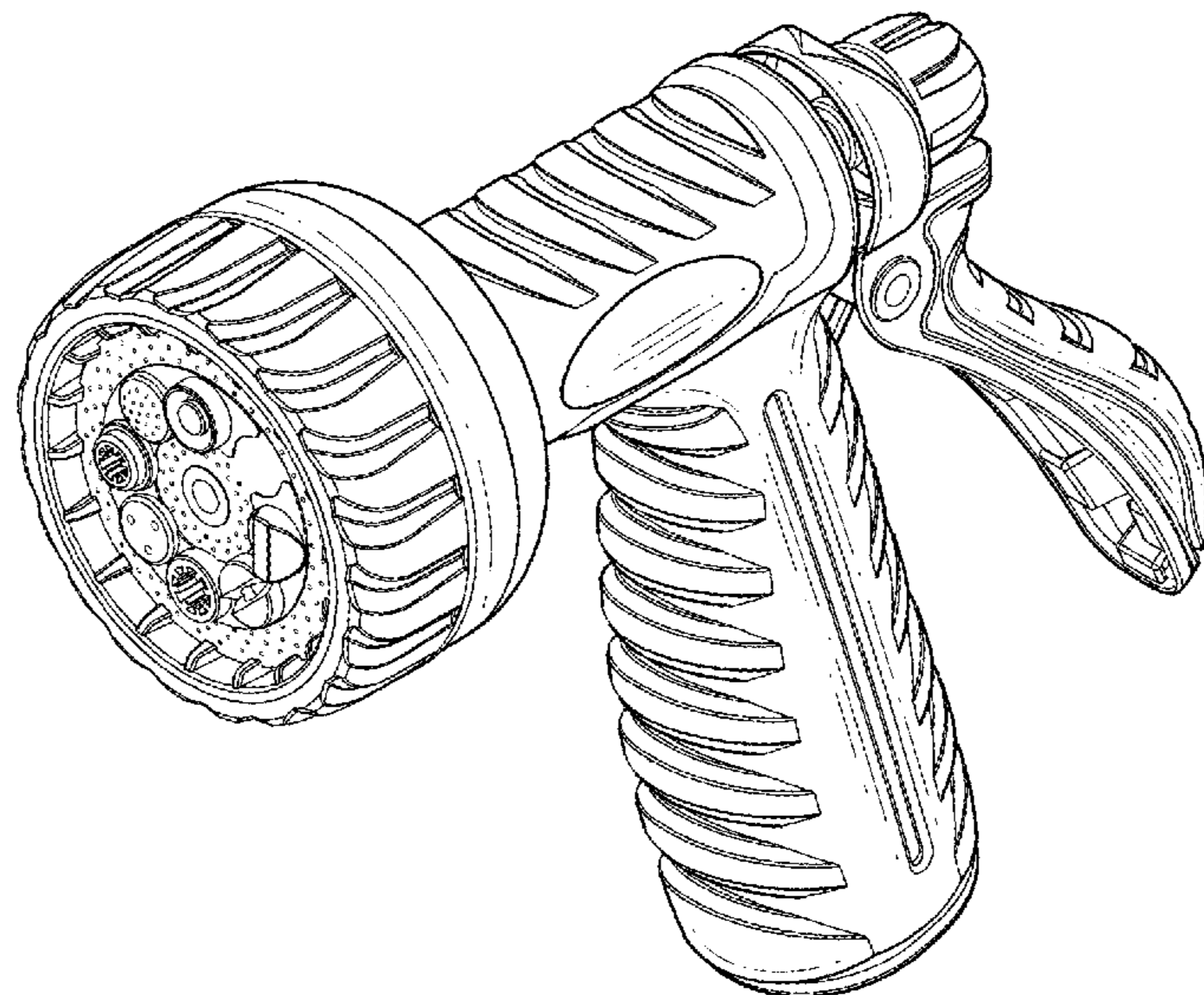
(57) **CLAIM**

The ornamental design for a water sprayer, as shown and described.

DESCRIPTION

FIG. 1 is a perspective view of a water sprayer showing my new design;
FIG. 2 is a front elevational view thereof;
FIG. 3 is a rear elevational view thereof;
FIG. 4 is a left side elevational view thereof;
FIG. 5 is a right side elevational view thereof;
FIG. 6 is a top plan view thereof; and,
FIG. 7 is a bottom plan view thereof.

1 Claim, 5 Drawing Sheets



(56)

References Cited

U.S. PATENT DOCUMENTS

D767,091	S	*	9/2016	Chen	D23/223
D767,096	S	*	9/2016	Chen	D23/226
D769,415	S	*	10/2016	Chen	D23/226
D783,123	S	*	4/2017	Chen	D23/226
2002/0190141	A1	*	12/2002	Huang	B05B 1/1654 239/526
2006/0237559	A1	*	10/2006	Chih	B05B 1/1654 239/394

* cited by examiner

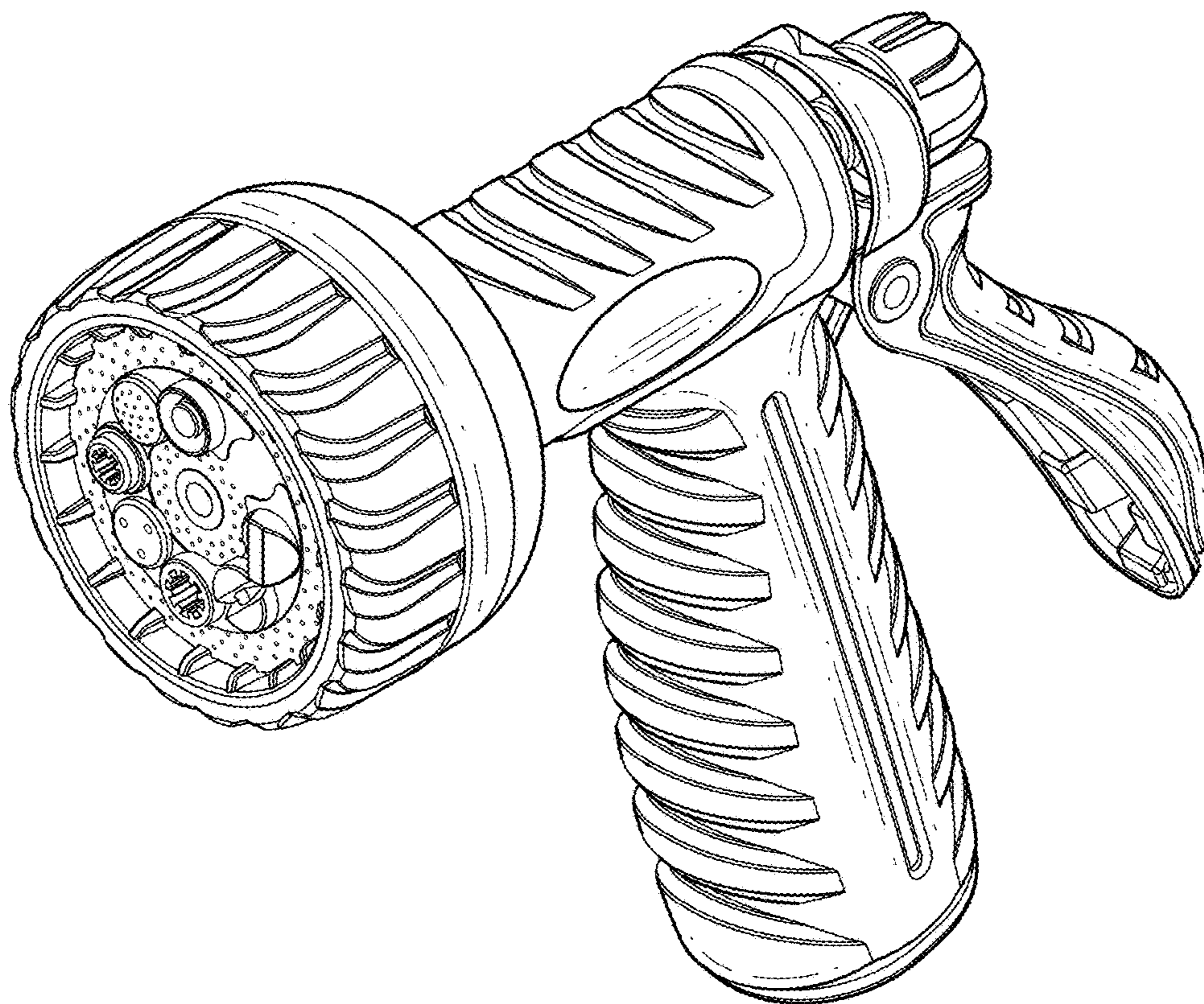


FIG. 1

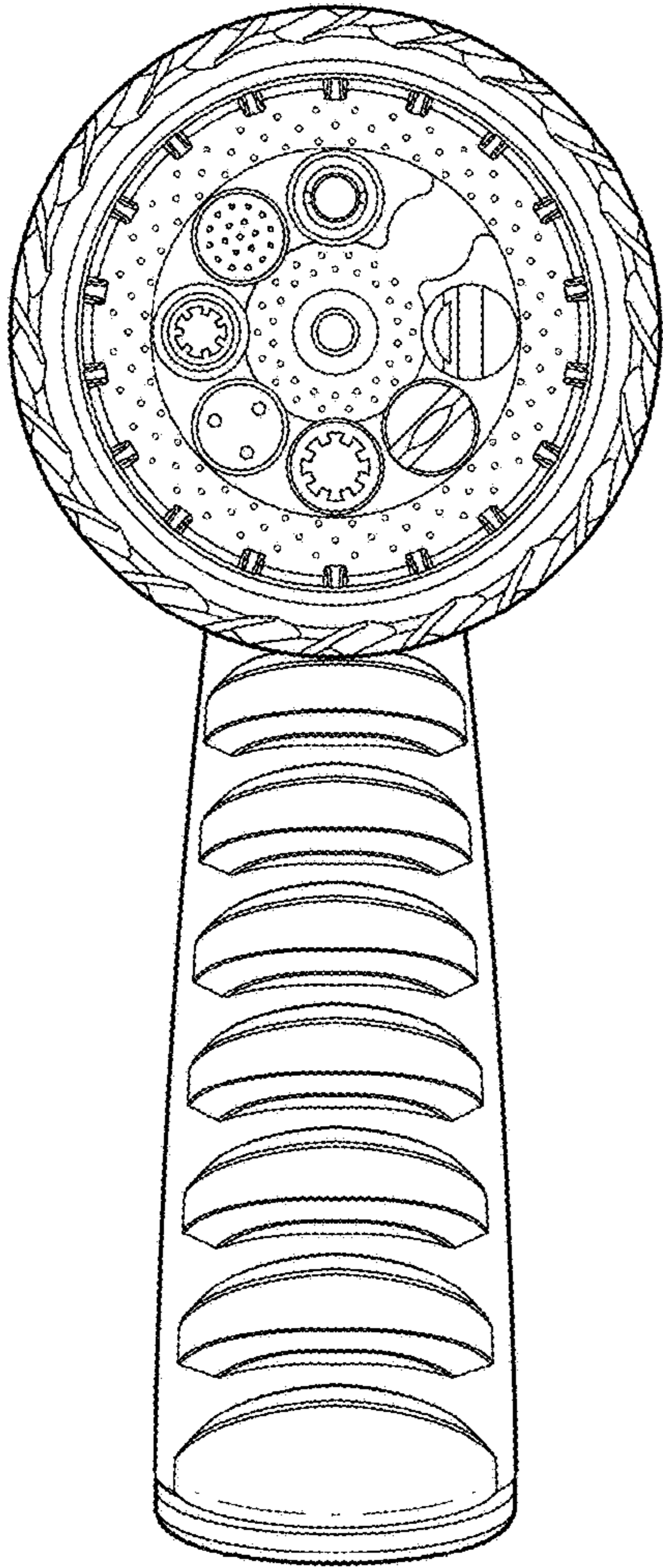


FIG. 2

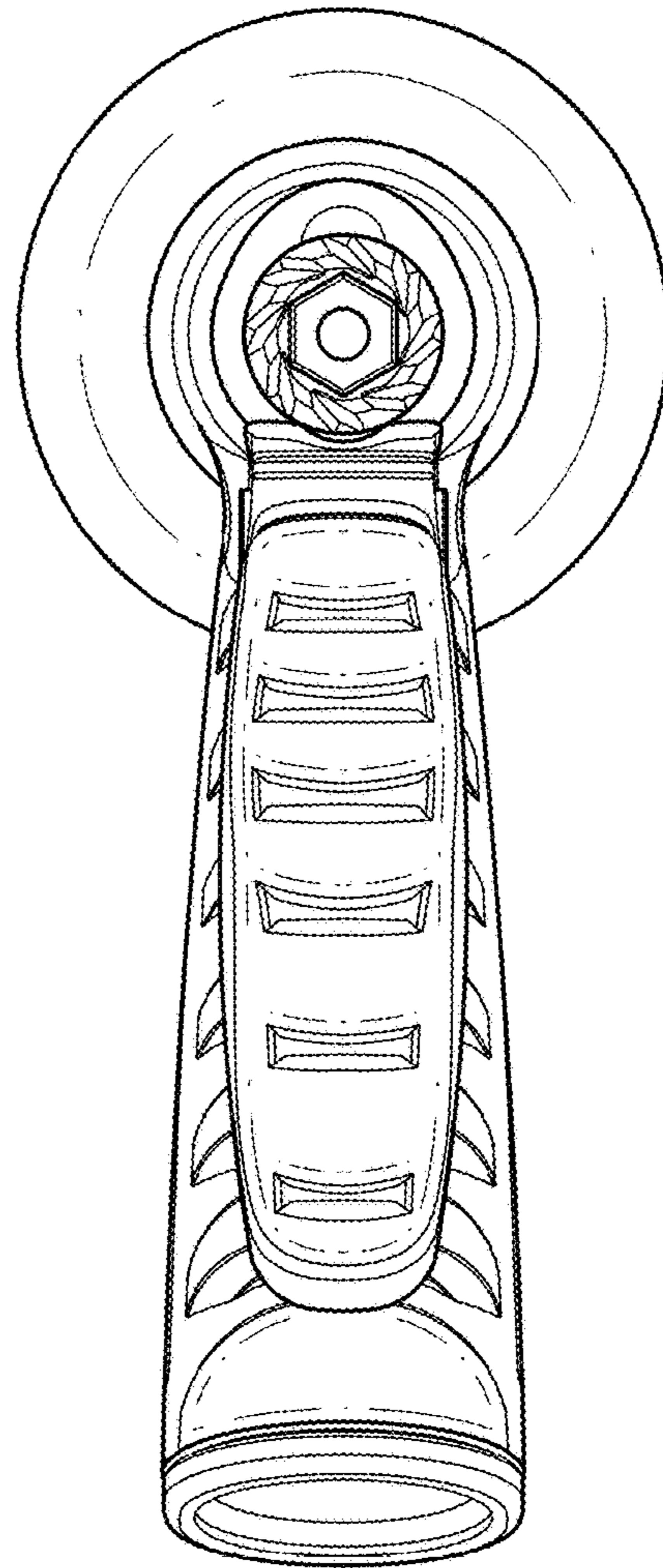


FIG. 3

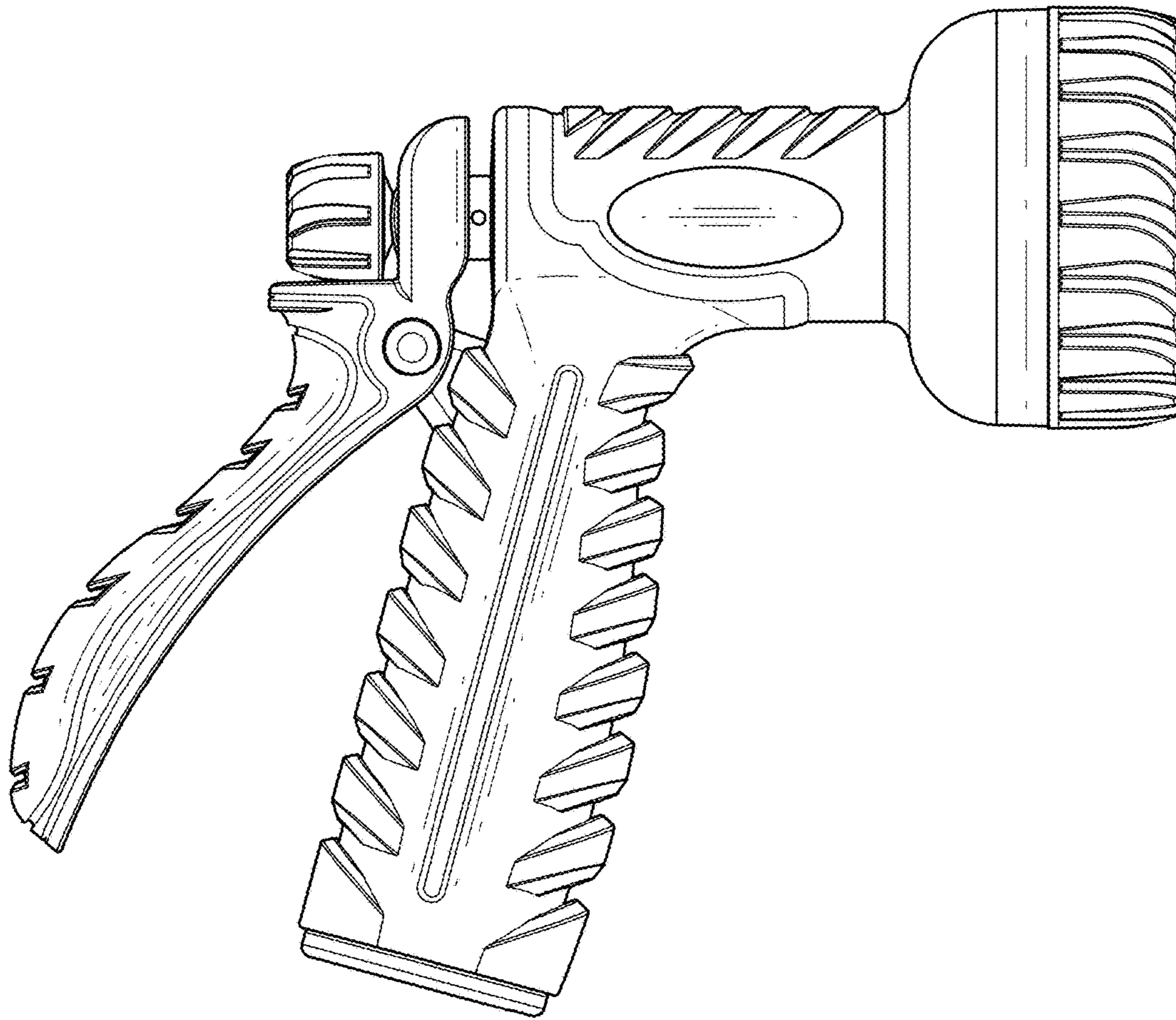


FIG. 4

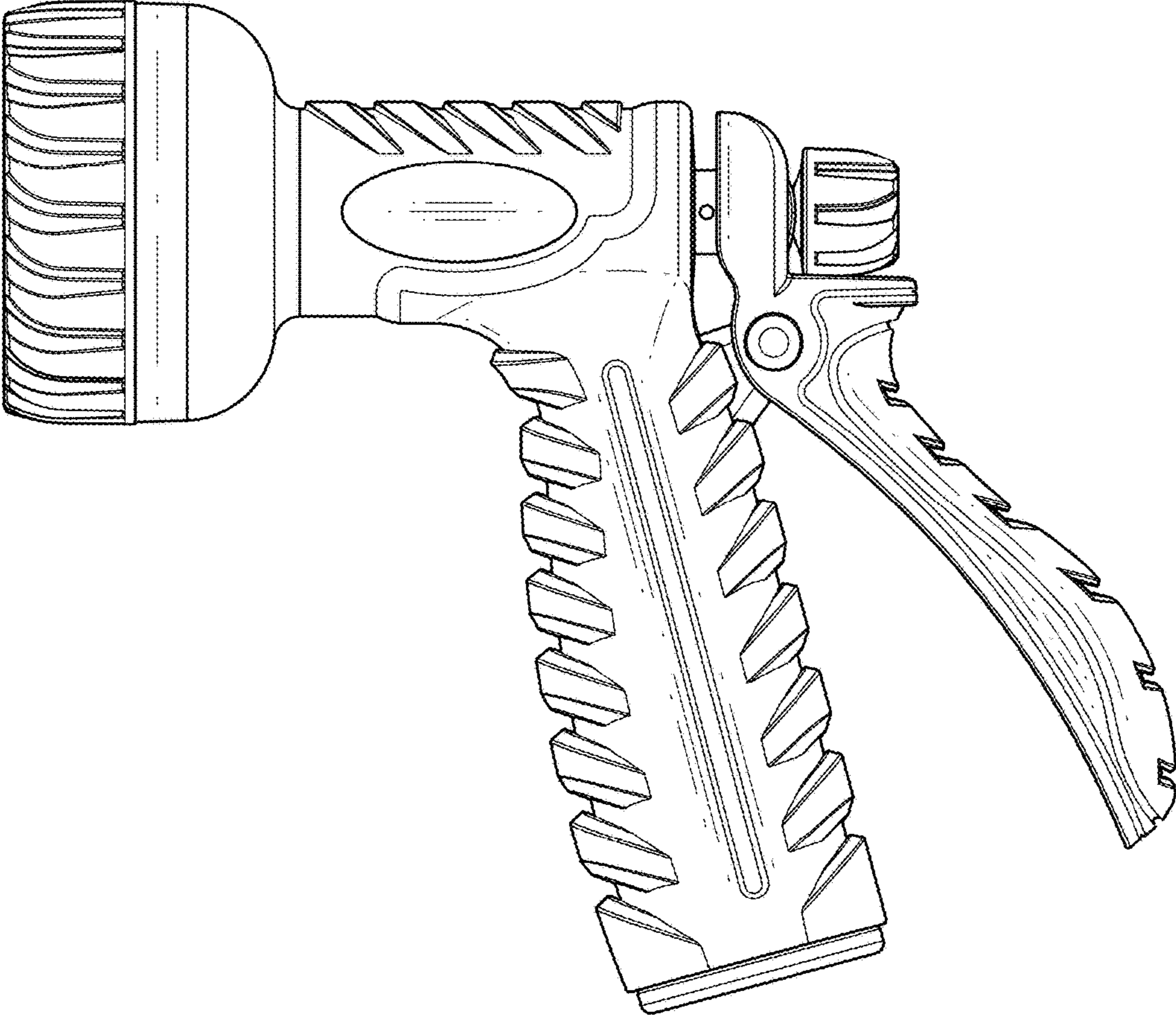


FIG. 5

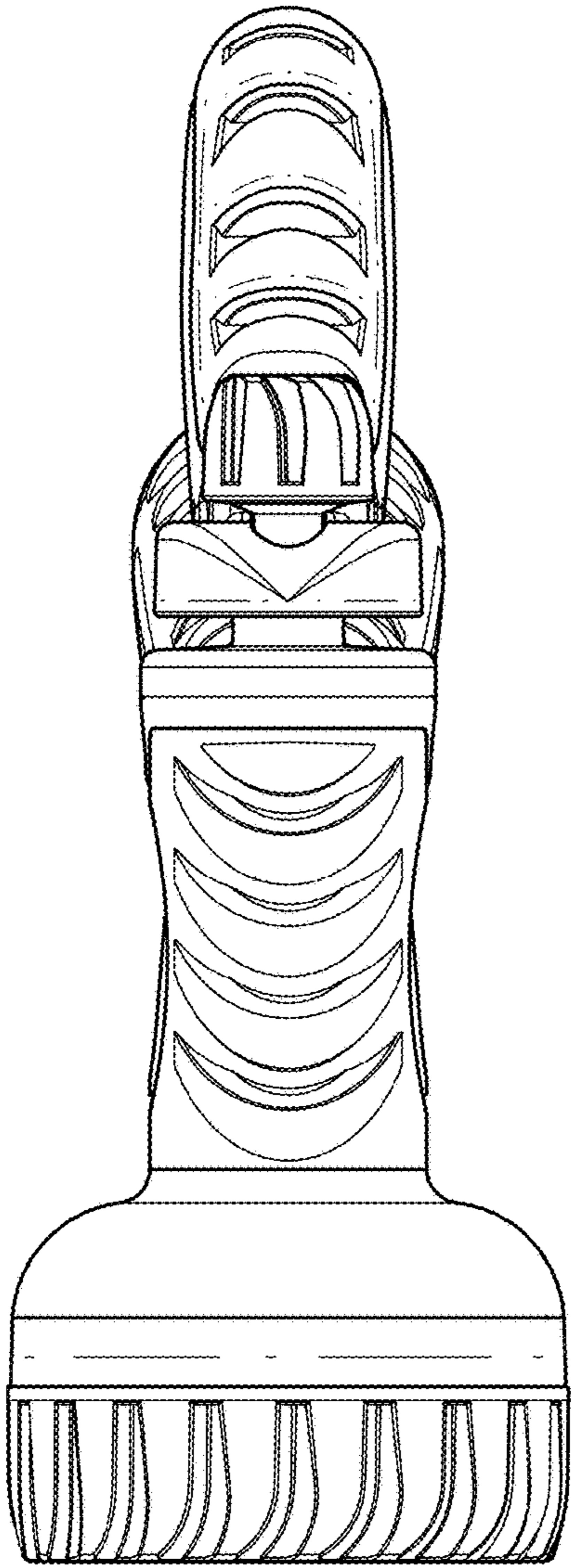


FIG. 6

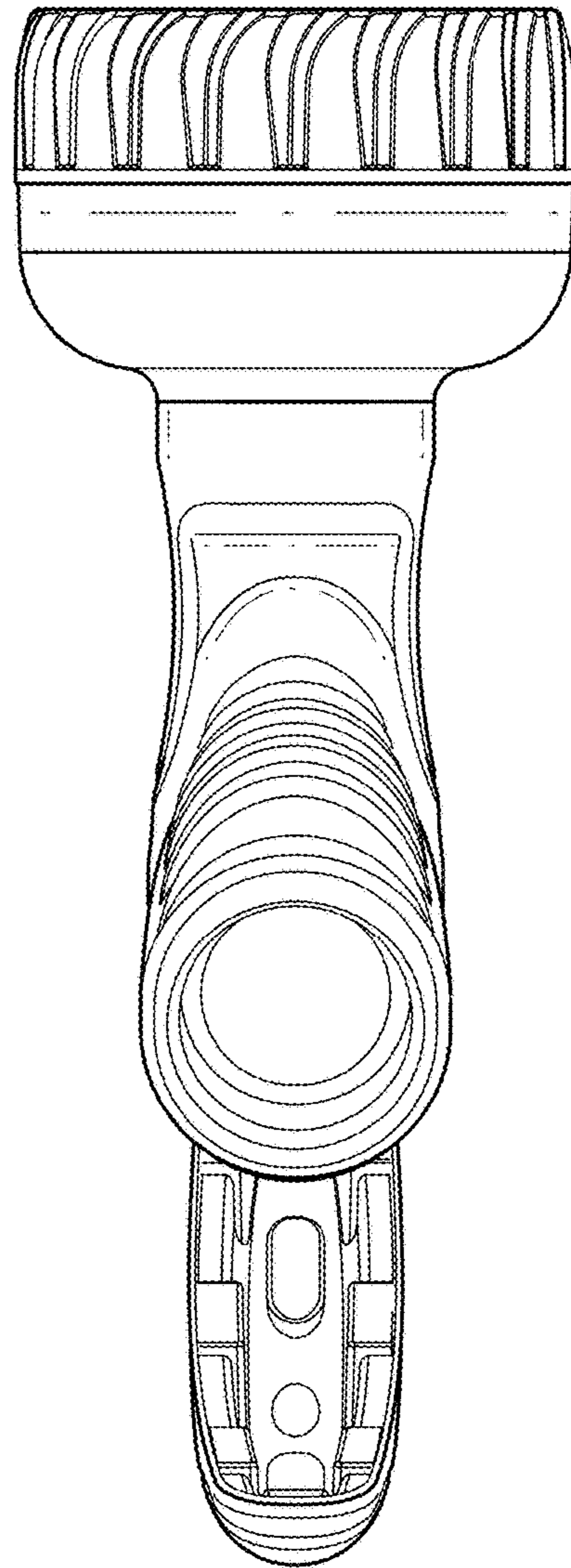


FIG. 7