



US00D800253S

(12) **United States Design Patent**  
**Oyarbide et al.**

(10) **Patent No.:** **US D800,253 S**

(45) **Date of Patent:** **\*\* Oct. 17, 2017**

(54) **SPRAYER**

(71) Applicant: **GOIZPER, S.COOP.**, Antzuola (ES)

(72) Inventors: **Iñigo Garmendia Oyarbide**, Idiazabal (ES); **Eneritz Etxebarria Zubizarreta**, Arrasate (ES)

(\*\*) Term: **15 Years**

(21) Appl. No.: **35/500,878**

(22) Filed: **Jan. 18, 2016**

(80) **Hague Agreement Data**

Int. Filing Date: **Jan. 18, 2016**

Int. Reg. No.: **DM/090210**

Int. Reg. Date: **Jan. 18, 2016**

Int. Reg. Pub. Date: **Apr. 29, 2016**

(51) **LOC (10) Cl.** ..... **23-01**

(52) **U.S. Cl.**  
USPC ..... **D23/225**

(58) **Field of Classification Search**  
USPC ..... D23/202, 213, 225  
CPC ..... B05B 9/08; B05B 9/0805; B05B 9/0816;  
B05B 7/2408; B05B 7/2405; B05B 7/241;  
B05B 7/2421  
See application file for complete search history.

(56) **References Cited**

**U.S. PATENT DOCUMENTS**

D271,790 S *	12/1983	Aldrich	.....	D23/228
D327,528 S *	6/1992	Sears	.....	D23/225
D347,047 S *	5/1994	Wood	.....	D23/225
D516,167 S *	2/2006	Leer	.....	D23/225
D516,168 S *	2/2006	Leer	.....	D23/225
D529,129 S *	9/2006	Leer	.....	D23/225
D542,373 S *	5/2007	Cooper	.....	D23/225
D616,959 S *	6/2010	Wu	.....	D23/202

D630,708 S *	1/2011	Blenkush	.....	D23/225
D633,176 S *	2/2011	Blenkush	.....	D23/225
D639,388 S *	6/2011	Plantz	.....	D23/225
D639,389 S *	6/2011	Plantz	.....	D23/225
7,971,803 B1 *	7/2011	Barlowe	.....	B05B 9/007 222/333
D647,999 S *	11/2011	Hudson	.....	D23/225
D649,624 S *	11/2011	Hudson	.....	D23/225
D651,691 S *	1/2012	Muetzel	.....	D23/225
D664,236 S *	7/2012	Hudson	.....	D23/225
D670,787 S *	11/2012	Kang	.....	D23/225
D670,788 S *	11/2012	Plantz	.....	D23/225
D719,639 S *	12/2014	Pagliari	.....	D23/225
D721,161 S *	1/2015	Yam	.....	D23/225
D739,260 S *	9/2015	Isaacs	.....	D9/689
D749,698 S *	2/2016	Pereira Dos Reis	.....	D23/225
D749,699 S *	2/2016	Nicolia	.....	D23/202
D751,670 S *	3/2016	Loiti Urquia	.....	D23/225
2009/0008476 A1 *	1/2009	Bonet Villoria	....	A01M 7/0035 239/154

\* cited by examiner

*Primary Examiner* — Darlington Ly

(57) **CLAIM**

The ornamental design for a sprayer, as shown and described.

**DESCRIPTION**

1. Sprayer

**1.1** is a top perspective view of a sprayer showing our new design;

**1.2** is a front elevation view thereof;

**1.3** is a rear elevation view thereof;

**1.4** is a left side elevation view thereof;

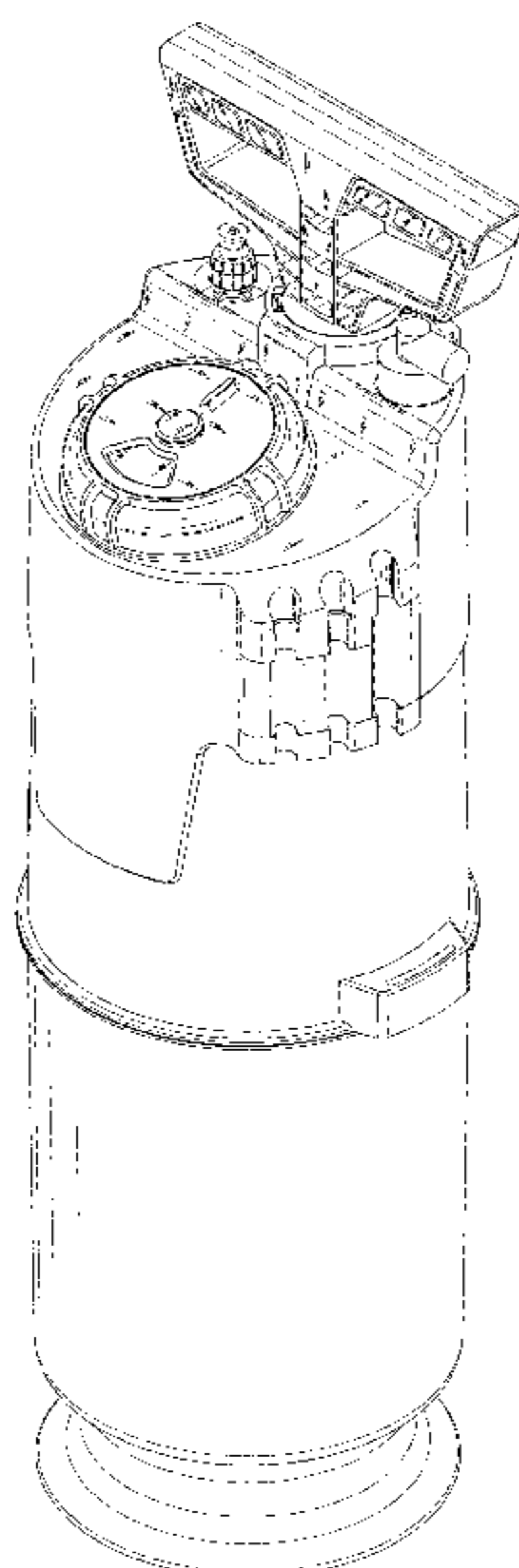
**1.5** is a right side elevational view thereof;

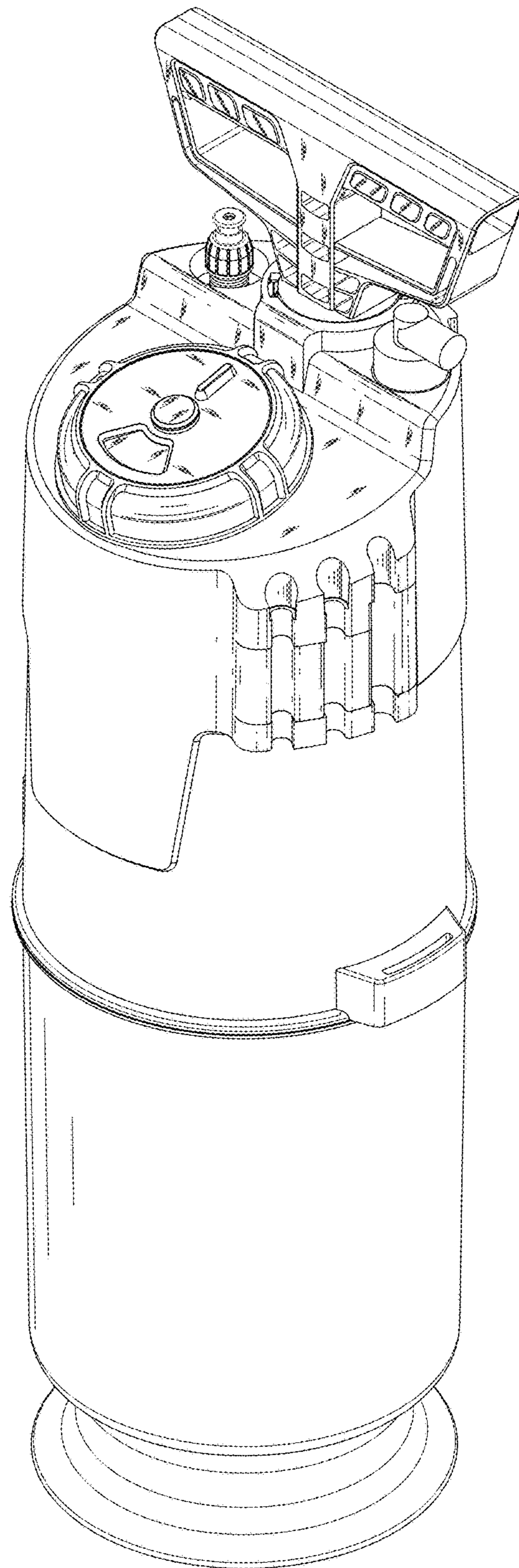
**1.6** is a top plan view thereof; and

**1.7** is a bottom plan view thereof.

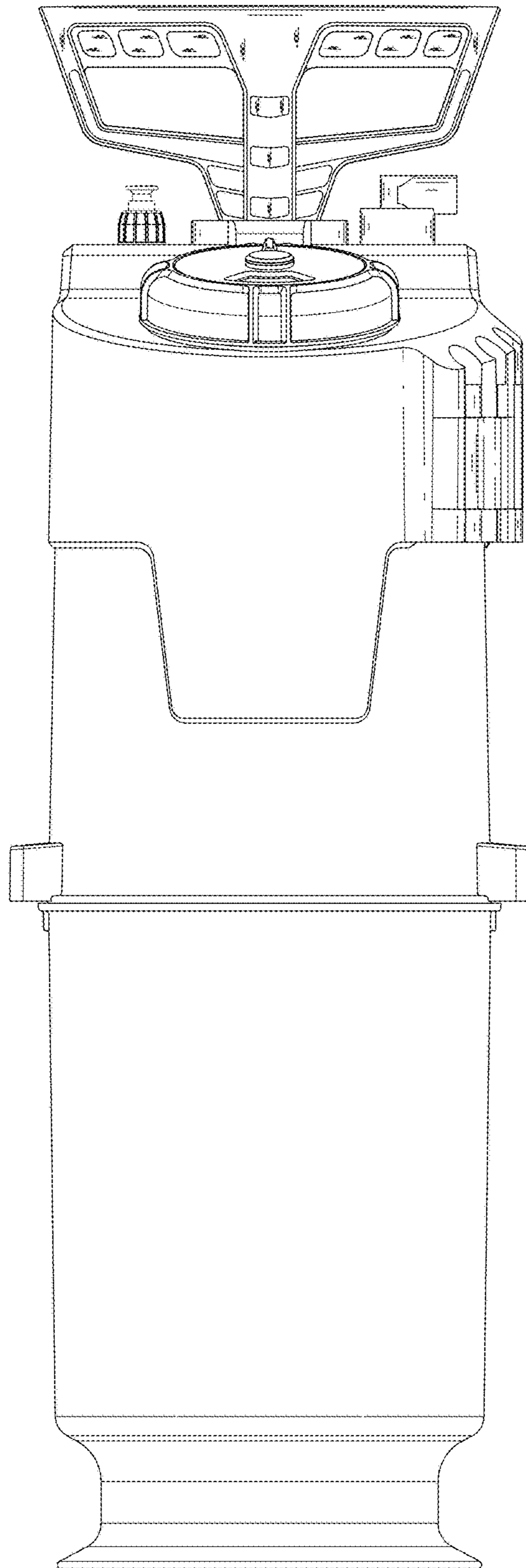
The broken lines in the drawings depict portions of the sprayer that form no part of the claimed design.

**1 Claim, 6 Drawing Sheets**

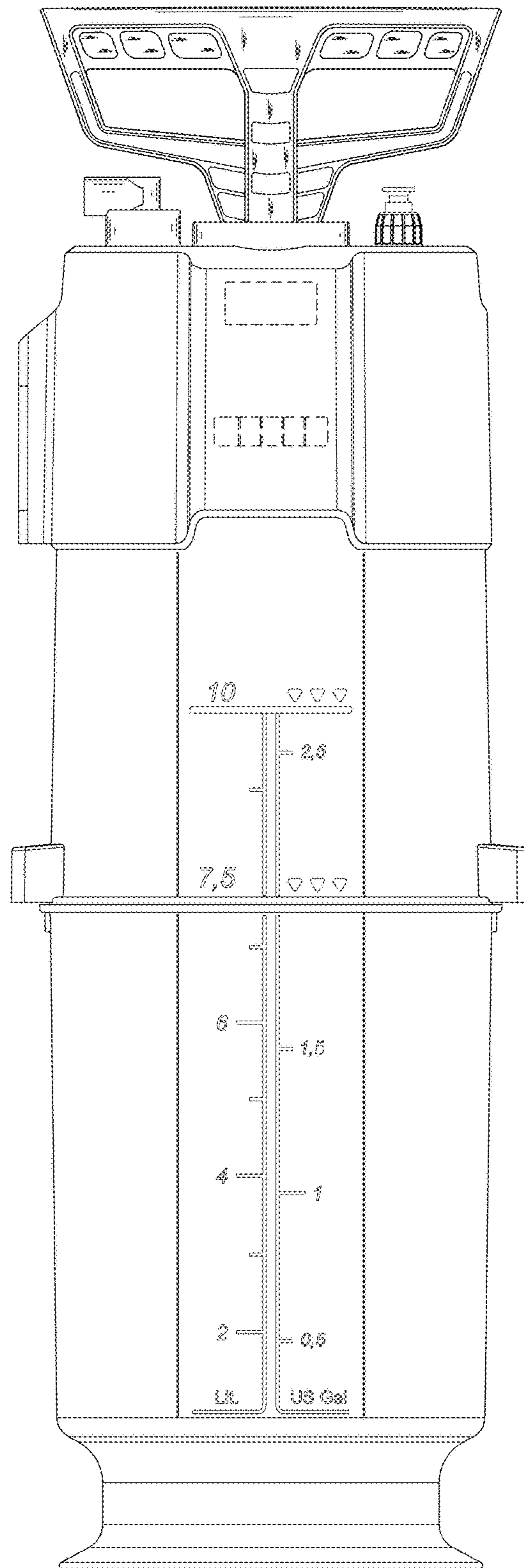




1.1

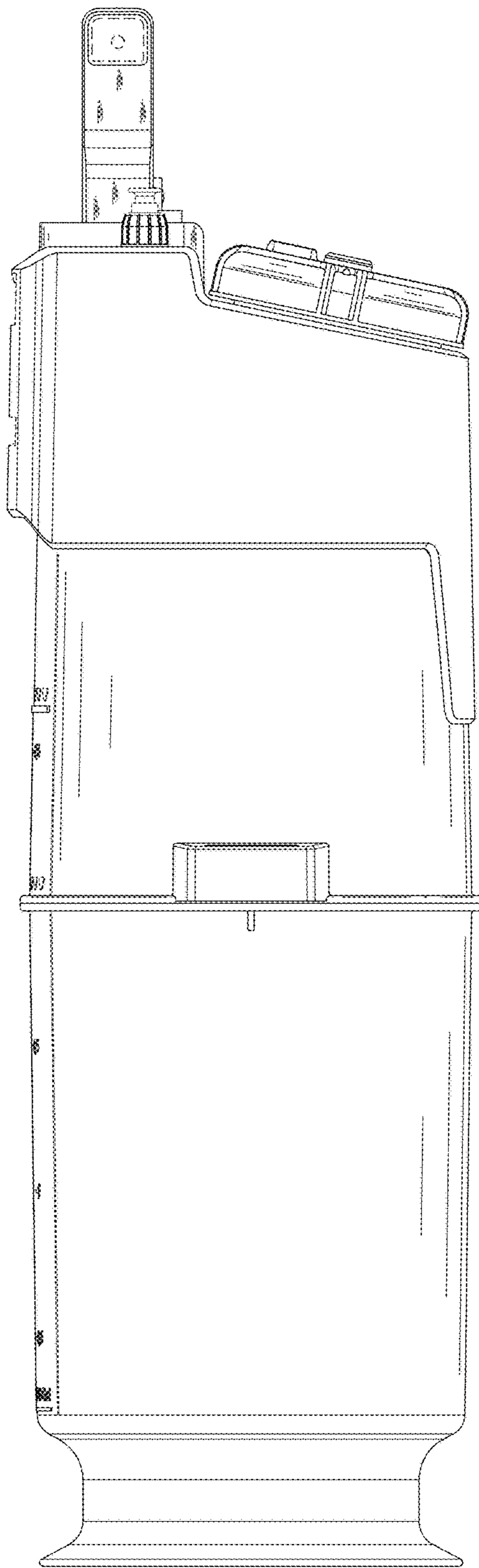


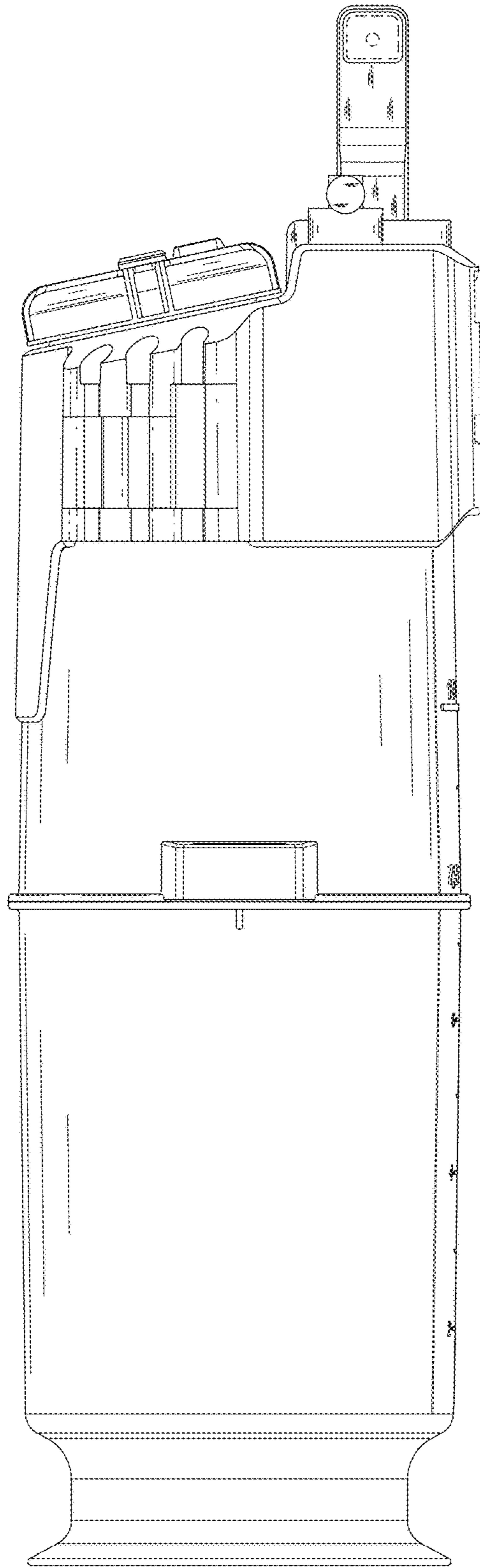
1.2



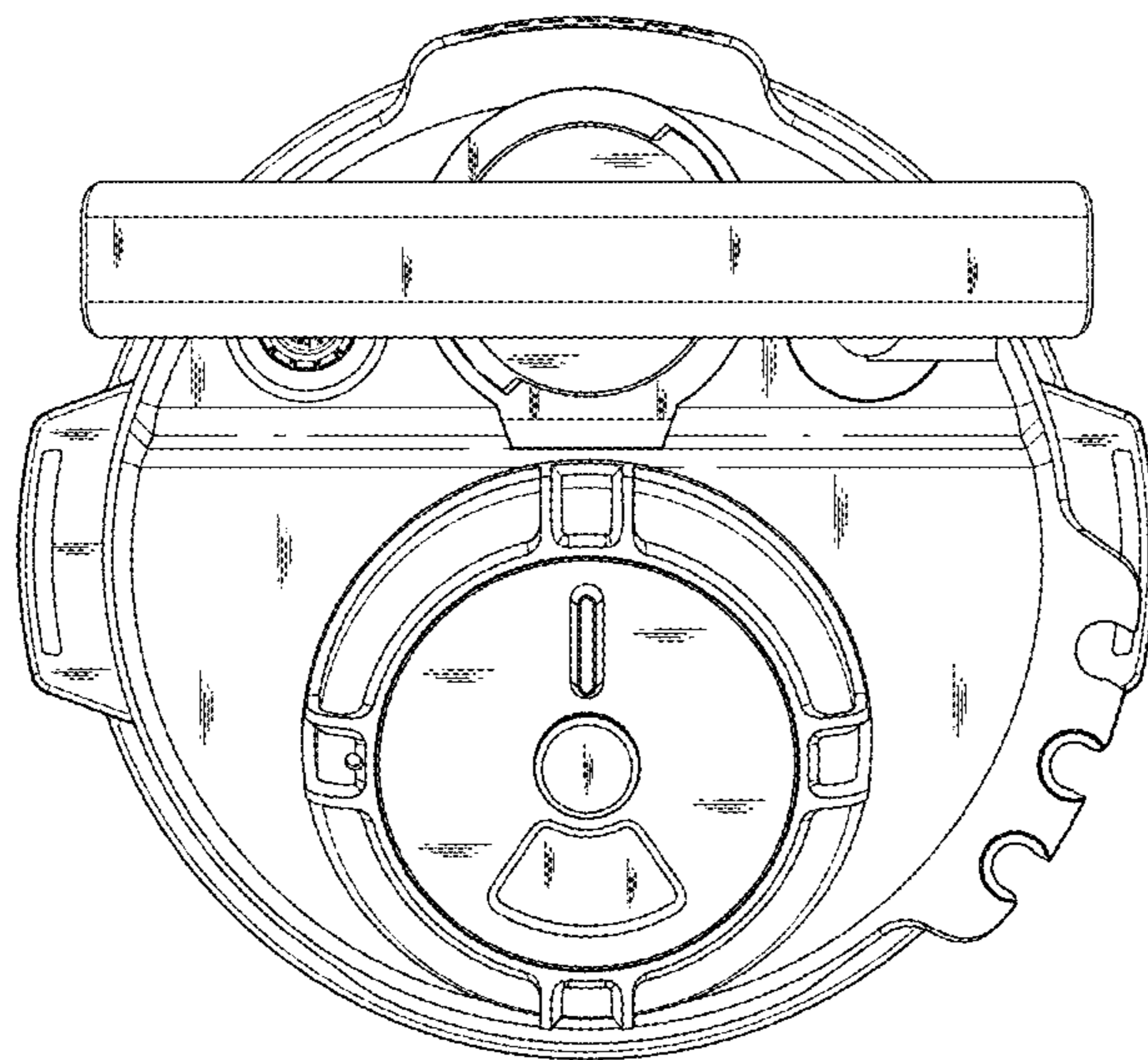
1.3



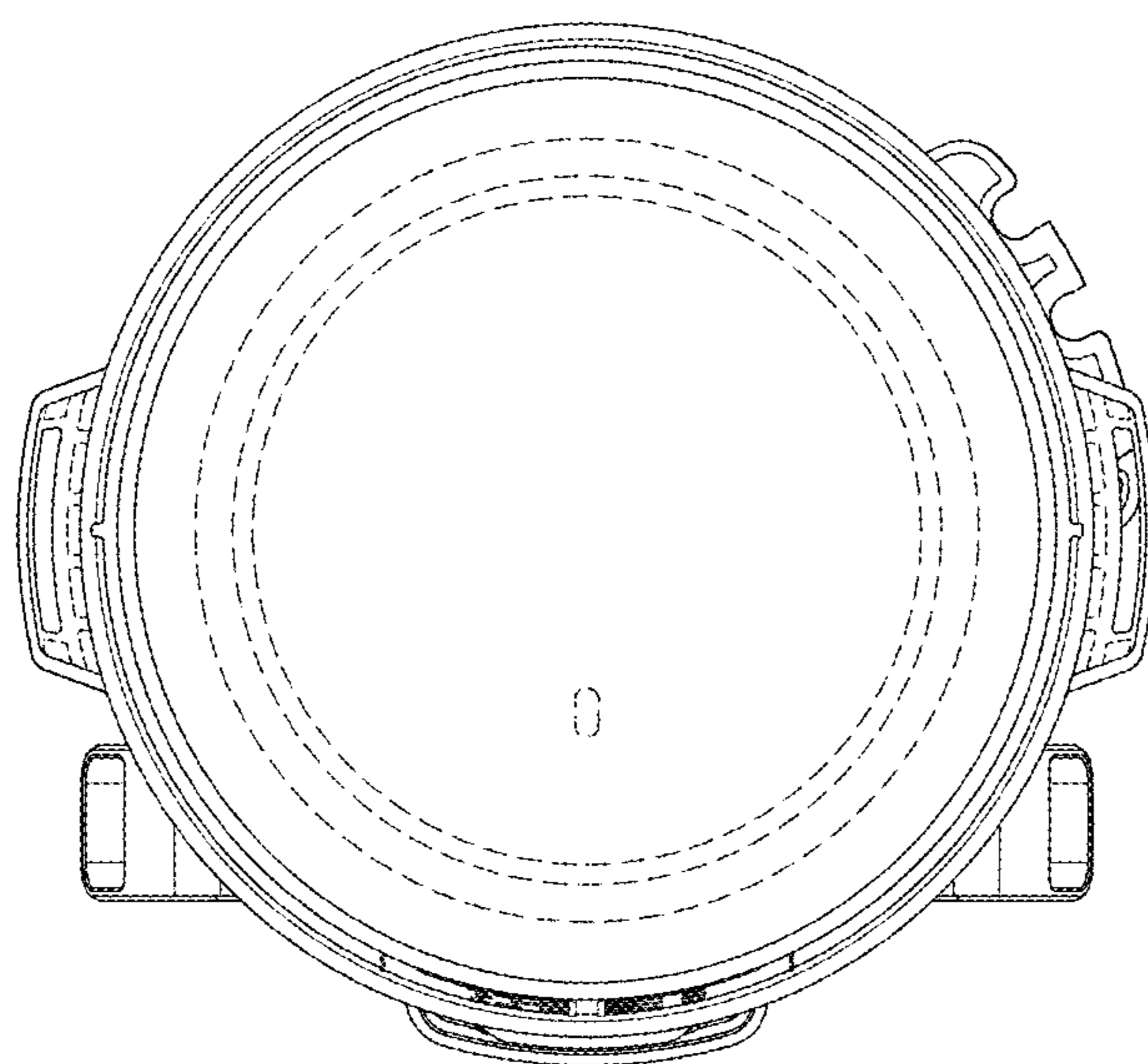




1.5



1.6



1.7