



US00D800252S

(12) **United States Design Patent** (10) **Patent No.:** **US D800,252 S**  
**Zientara et al.** (45) **Date of Patent:** **\*\* Oct. 17, 2017**

(54) **PAINT SPRAYER APPARATUS**

- (71) Applicant: **Wagner Spray Tech Corporation**,  
Plymouth, MN (US)
- (72) Inventors: **Daniel Robert Zientara**, Lakeville,  
MN (US); **Jonathan L. Schaumann**,  
Champlin, MN (US); **Heiko Tullney**,  
Hamburg (DE)
- (73) Assignee: **Wagner Spray Tech Corporation**,  
Plymouth, MN (US)

(\*\*) Term: **15 Years**

(21) Appl. No.: **29/562,602**

(22) Filed: **Apr. 27, 2016**

(51) **LOC (10) Cl.** ..... **23-01**

(52) **U.S. Cl.**  
USPC ..... **D23/225**

(58) **Field of Classification Search**  
USPC ..... D23/201, 211, 213, 221, 223, 225, 226,  
D23/229  
CPC ..... B05B 1/18; B05B 1/00-1/08; B05B 1/20;  
B05B 15/063  
See application file for complete search history.

(56) **References Cited**

U.S. PATENT DOCUMENTS

|           |     |         |                 |                       |
|-----------|-----|---------|-----------------|-----------------------|
| 3,189,016 | A   | 6/1965  | Corlet          |                       |
| D235,996  | S * | 7/1975  | Scheider        | D15/13                |
| 4,003,504 | A   | 1/1977  | Johnson et al.  |                       |
| 4,013,251 | A   | 3/1977  | Cleveland       |                       |
| D277,499  | S * | 2/1985  | Slager          | 239/754               |
| 4,560,127 | A   | 12/1985 | Ippolito        |                       |
| D307,589  | S * | 5/1990  | Ridgeon         | D15/13                |
| 5,217,238 | A   | 6/1993  | Cyphers et al.  |                       |
| 5,263,789 | A   | 11/1993 | Torntore et al. |                       |
| 5,286,045 | A   | 2/1994  | Cyphers et al.  |                       |
| 5,288,017 | A * | 2/1994  | Halovitz        | A01C 15/02<br>222/625 |
| 5,441,297 | A   | 8/1995  | Krohn et al.    |                       |

(Continued)

OTHER PUBLICATIONS

Graco, Electric Sprayers, [http://www.graco.com/Distributors/DLibrary.nsf/Files/337555/\\$file/337555E.pdf](http://www.graco.com/Distributors/DLibrary.nsf/Files/337555/$file/337555E.pdf) (accessed Mar. 31, 2010), 24 pages.

(Continued)

*Primary Examiner* — Robin V Webster

*Assistant Examiner* — Rachel Voorhies

(74) *Attorney, Agent, or Firm* — Christopher J. Volkman; Kelly, Holt & Christenson, PLLC

(57) **CLAIM**

The ornamental design for a paint sprayer apparatus, as shown and described.

**DESCRIPTION**

FIG. 1 is a perspective view of the paint sprayer apparatus, in accordance with our new design.

FIG. 2 is a right side view of the paint sprayer apparatus, in accordance with our new design.

FIG. 3 is a left side view of the paint sprayer apparatus, in accordance with our new design.

FIG. 4 is a back view of the paint sprayer apparatus, in accordance with our new design.

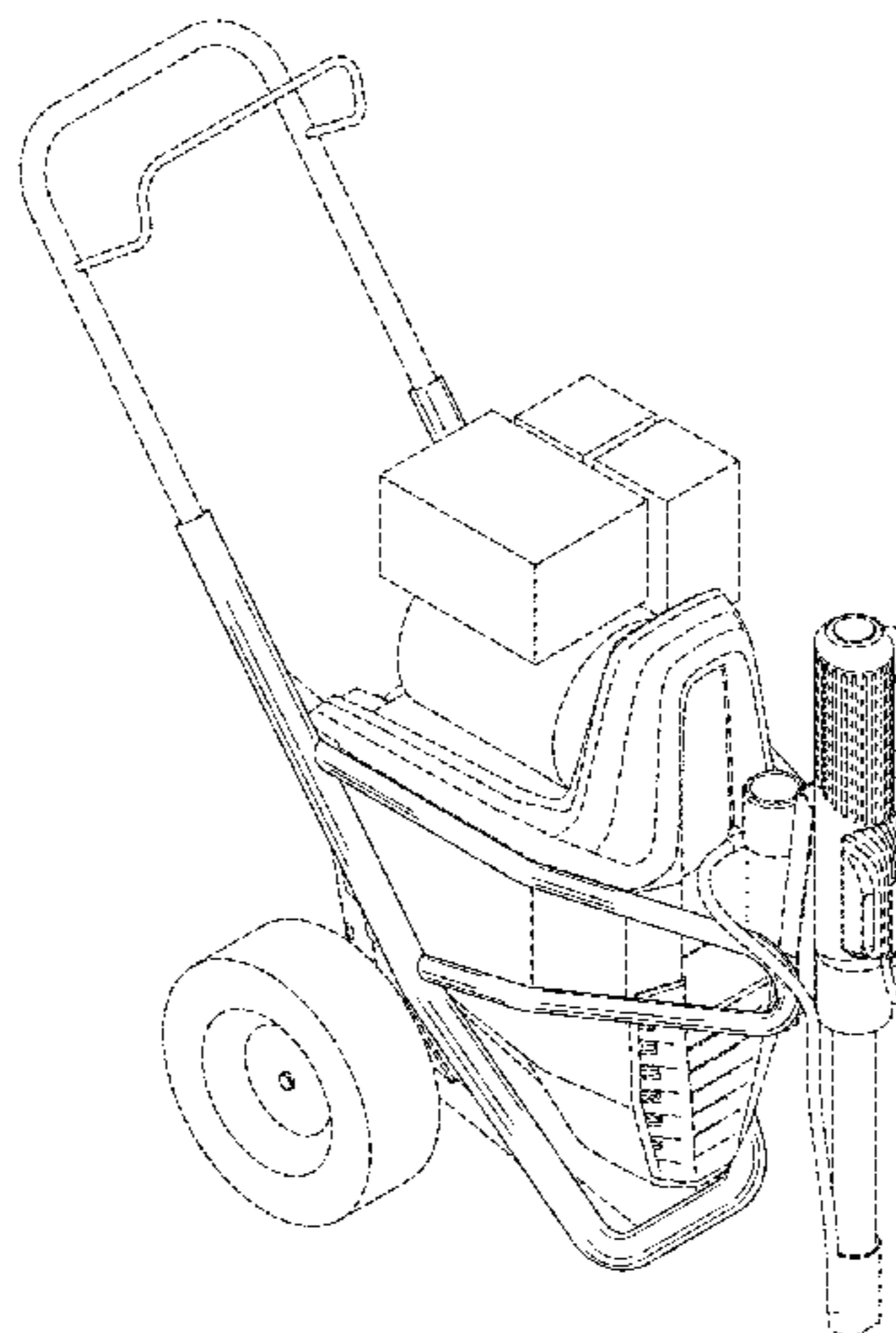
FIG. 5 is a front view of the paint sprayer apparatus, in accordance with our new design.

FIG. 6 is a top view of the paint sprayer apparatus, in accordance with our new design. In FIG. 6, portions of the unclaimed environment shown in dashed lines, which would otherwise obscure portions of the claimed design, have been omitted; and,

FIG. 7 is a bottom view of the paint sprayer apparatus, in accordance with our new design.

The broken lines in the drawing illustrate portions of the paint sprayer apparatus which form no part of the claimed design.

**1 Claim, 6 Drawing Sheets**



(56)

References Cited

U.S. PATENT DOCUMENTS

D427,283 S \* 6/2000 Bower ..... D23/225  
 D429,314 S \* 8/2000 Bower ..... D23/225  
 6,250,595 B1 6/2001 Campbell  
 6,695,267 B2 2/2004 Liao  
 6,962,353 B1 11/2005 Garcia  
 D572,795 S \* 7/2008 Kieffer ..... D23/225  
 D580,518 S 11/2008 Johnson et al.  
 D591,024 S \* 4/2009 Gammel ..... D34/24  
 D597,173 S \* 7/2009 Mulgrew ..... D23/225  
 D608,414 S \* 1/2010 Legatt ..... D23/225  
 7,963,532 B2 6/2011 Feitel  
 8,979,001 B2 3/2015 Peterson et al.  
 D733,840 S \* 7/2015 Butler ..... D23/225  
 D771,222 S \* 11/2016 Pellin ..... D23/225  
 2004/0084552 A1 \* 5/2004 Huartson ..... A01M 7/0039  
 239/146  
 2005/0064973 A1 \* 3/2005 Schroeder ..... B05B 9/007  
 474/174  
 2005/0230497 A1 \* 10/2005 Gundersen ..... E04F 21/12  
 239/152  
 2006/0196967 A1 \* 9/2006 Monty ..... B05B 1/00  
 239/73  
 2008/0245894 A1 \* 10/2008 Ossian ..... E01H 5/04  
 239/155  
 2010/0294855 A1 \* 11/2010 Johnson ..... F04B 17/03  
 239/289  
 2011/0253229 A1 \* 10/2011 Mattson ..... B05B 7/0093  
 137/355.16  
 2011/0260418 A1 10/2011 Feitel  
 2011/0297756 A1 \* 12/2011 Peterson ..... B05B 9/01  
 239/127

2013/0020410 A1 \* 1/2013 Conrad ..... B05B 7/0408  
 239/290  
 2013/0200173 A1 \* 8/2013 Wolfgram ..... B05B 1/02  
 239/11  
 2014/0252138 A1 \* 9/2014 Wischstadt ..... B05B 1/12  
 239/589  
 2015/0283575 A1 \* 10/2015 Miller ..... B05C 17/00516  
 239/548  
 2015/0352570 A1 \* 12/2015 Lins ..... E01C 23/22  
 239/146

OTHER PUBLICATIONS

Wagner, Twin Stroke Piston Pump Owner's manual, 2005, 28 pages.  
 Sherwin-Williams Company, Ultimate Mx 695 Airless Paint  
 Sprayer Owner's manual, 1997, 36 pages.  
 Prosecution History of U.S. Appl. No. 12/795,378 including: Issue  
 Notification dated Feb. 25, 2015, Notice of Allowance dated Dec.  
 31, 2014, Amendment dated Sep. 18, 2014, Non-Final Office Action  
 dated Jun. 18, 2014, Applicant Initiated Interview Summary dated  
 Mar. 3, 2014, Amendment with RCE dated Feb. 25, 2014, Final  
 Office Action dated Dec. 2, 2013, Amendment dated Sep. 5, 2013,  
 Non-Final Office Action dated Jun. 5, 2013, Amendment with RCE  
 dated Feb. 14, 2013, Part 1 of 2.  
 Prosecution History for U.S. Appl. No. 12/795,378 including: Final  
 Office Action dated Dec. 14, 2012, Amendment dated Oct. 2, 2012,  
 Non-Final Office Action dated Aug. 1, 2012, Response to Restriction  
 Requirement dated Jul. 9, 2012, Restriction Requirement dated  
 Jun. 18, 2012, and Application and Drawings filed Jun. 7, 2010, Part  
 2 of 2, 142 pages.

\* cited by examiner

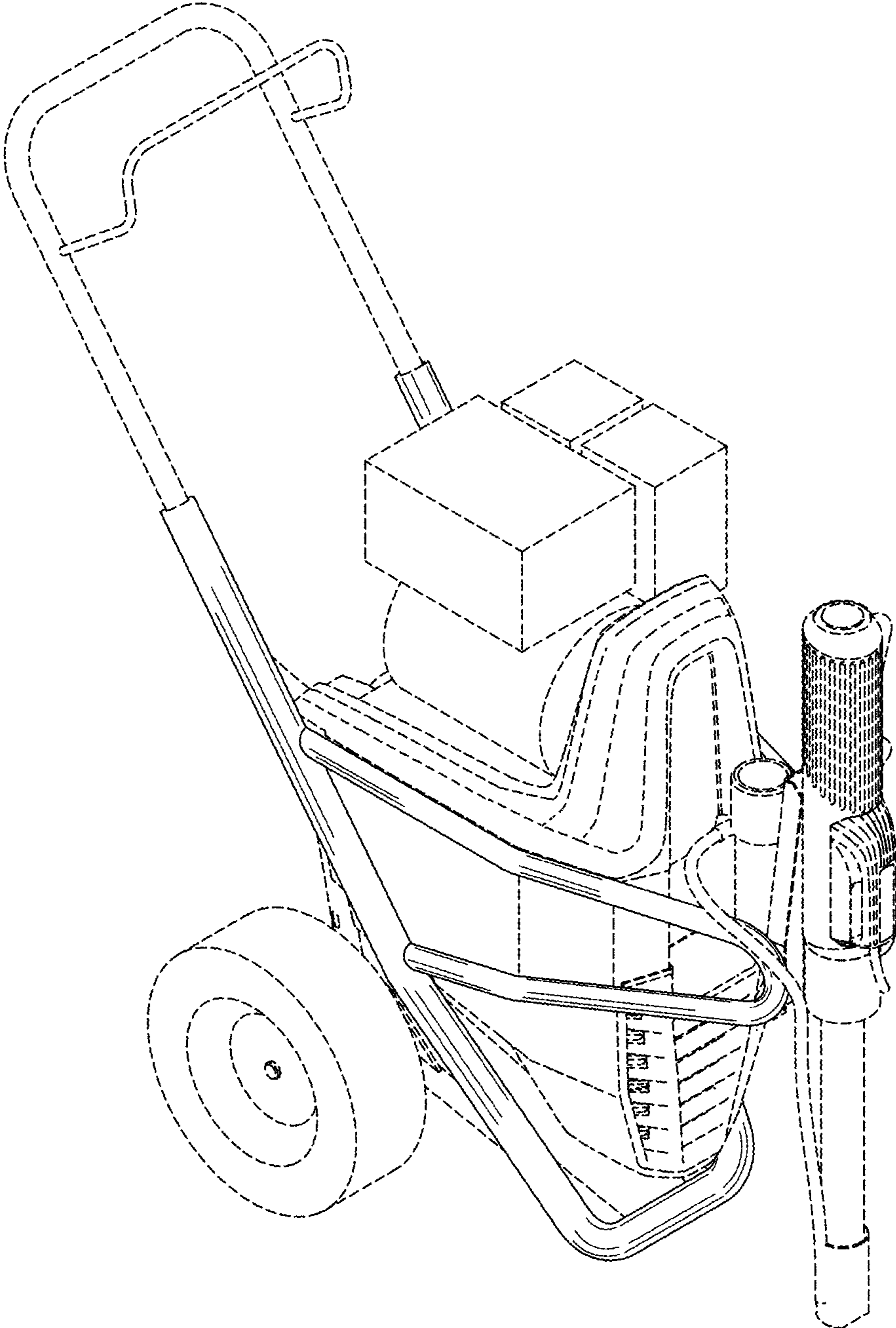


Fig. 1

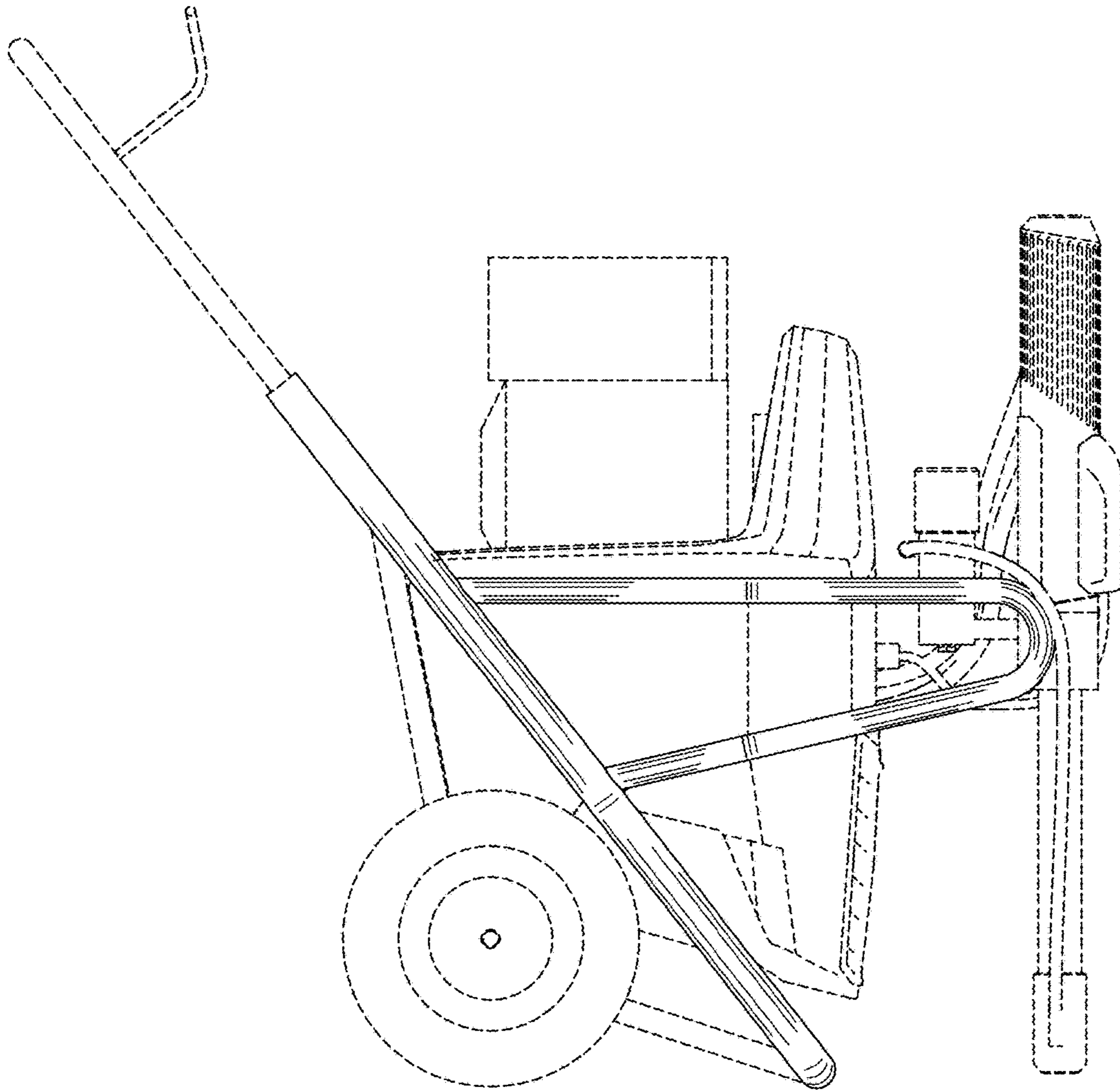


Fig. 2

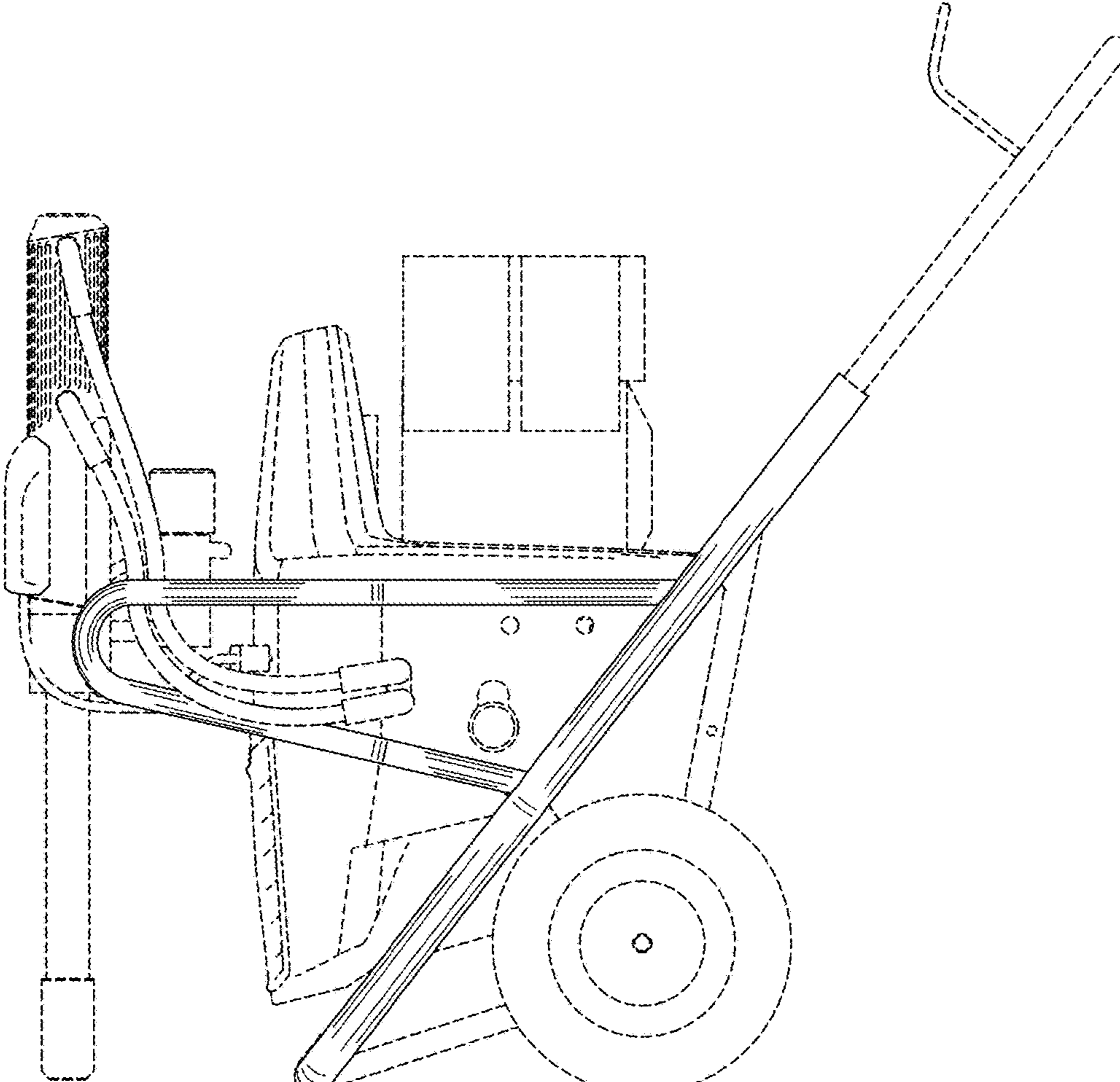


Fig. 3

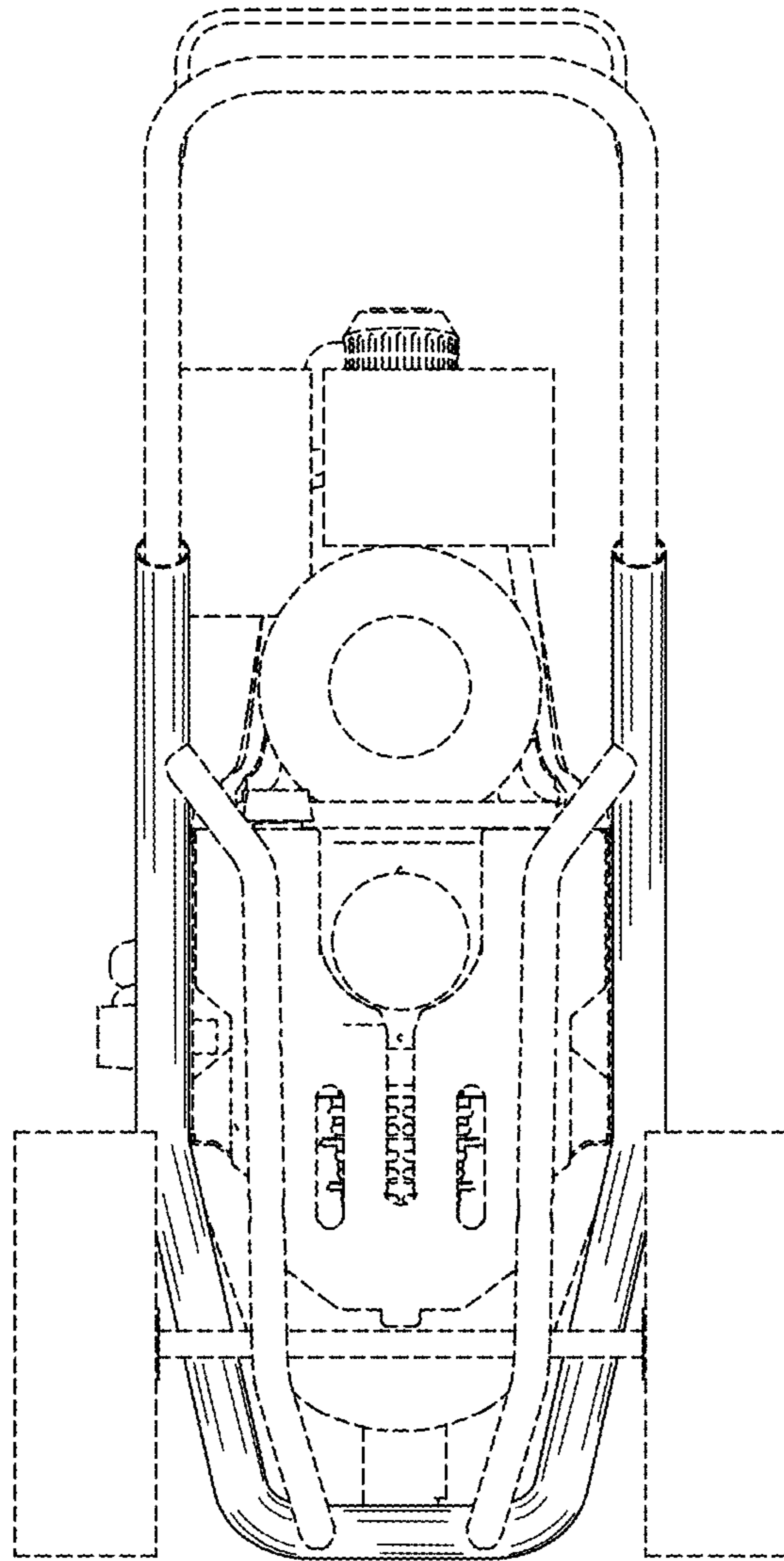


Fig. 4

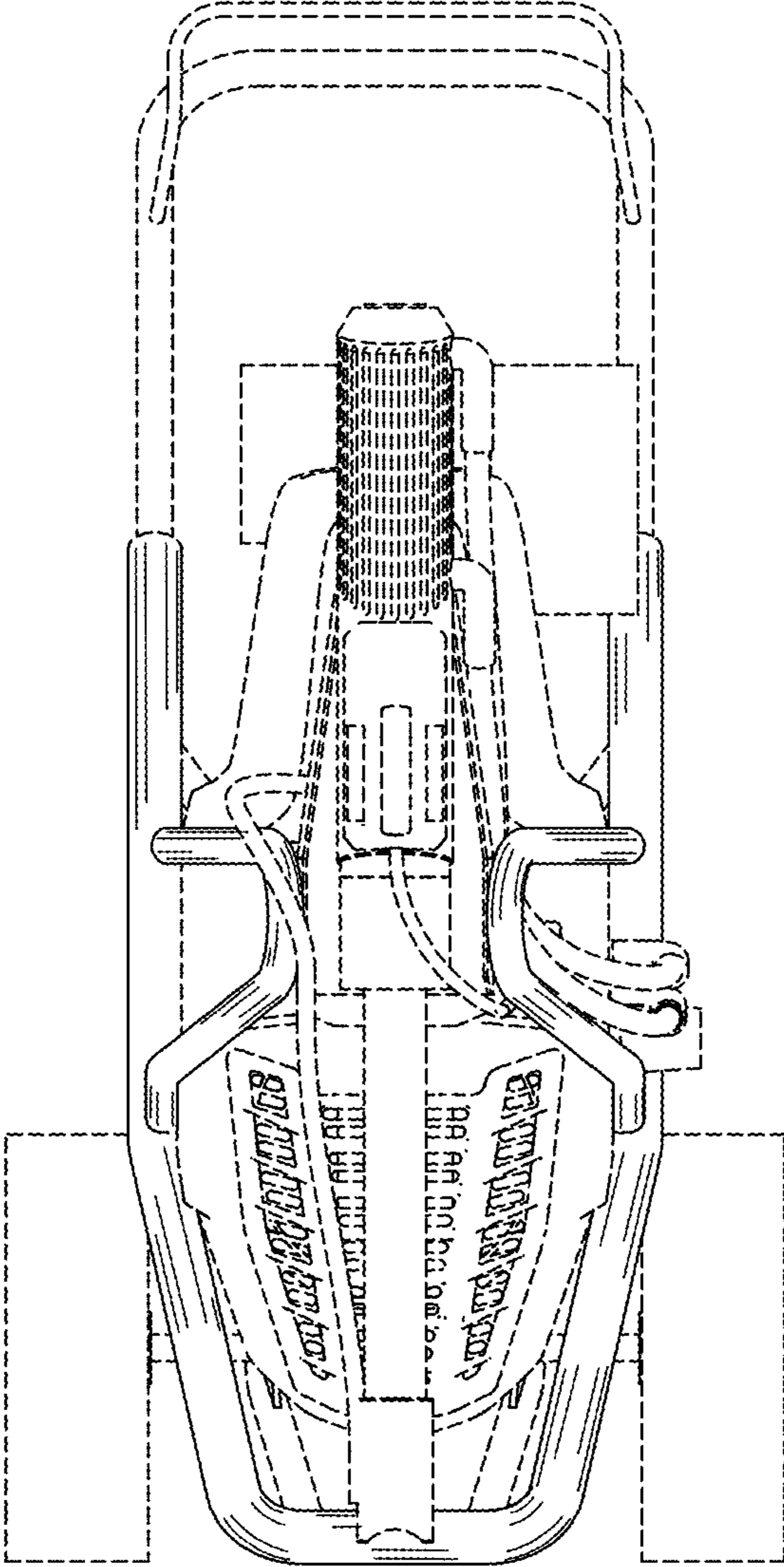


Fig. 5

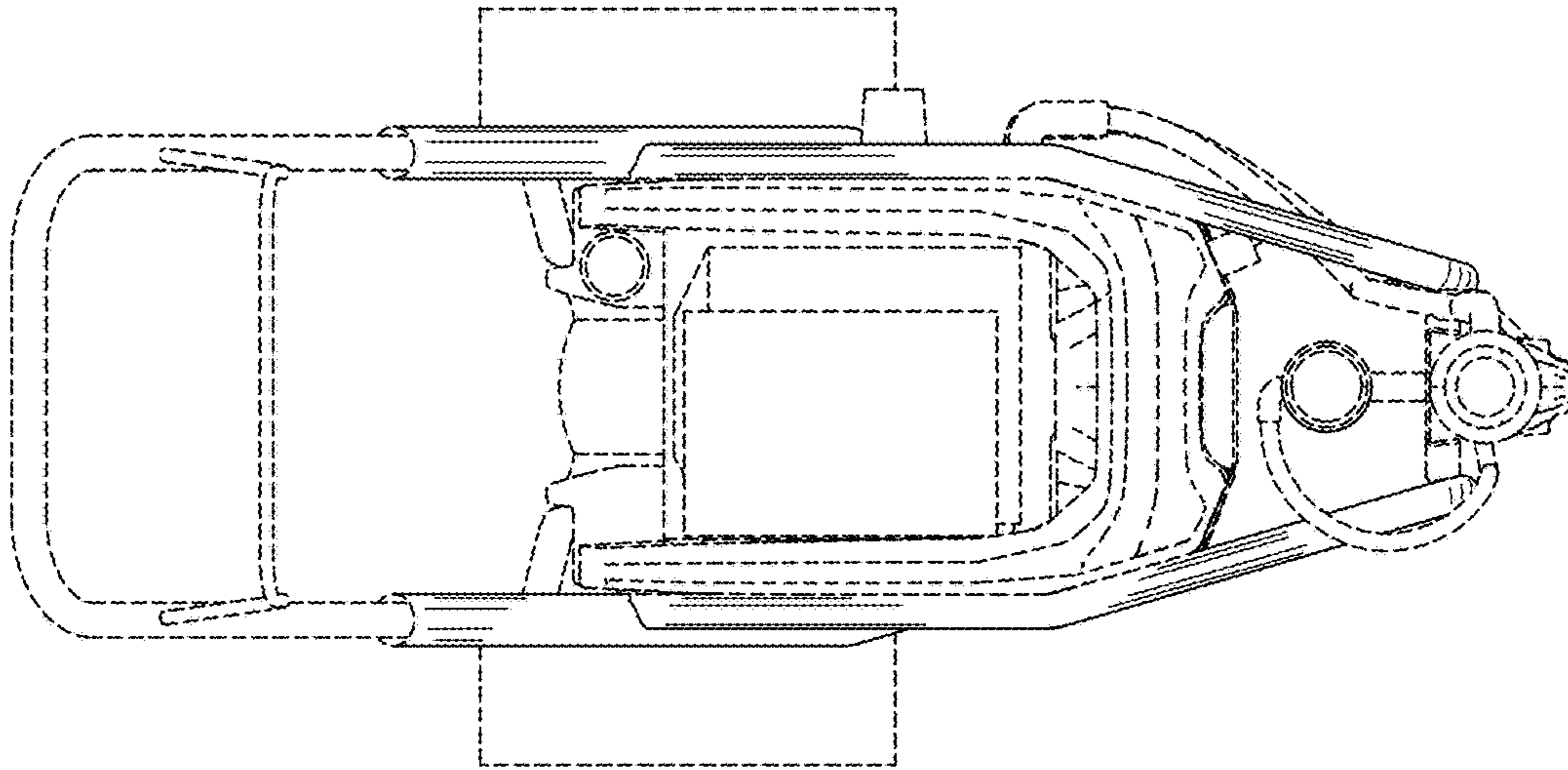


Fig. 6

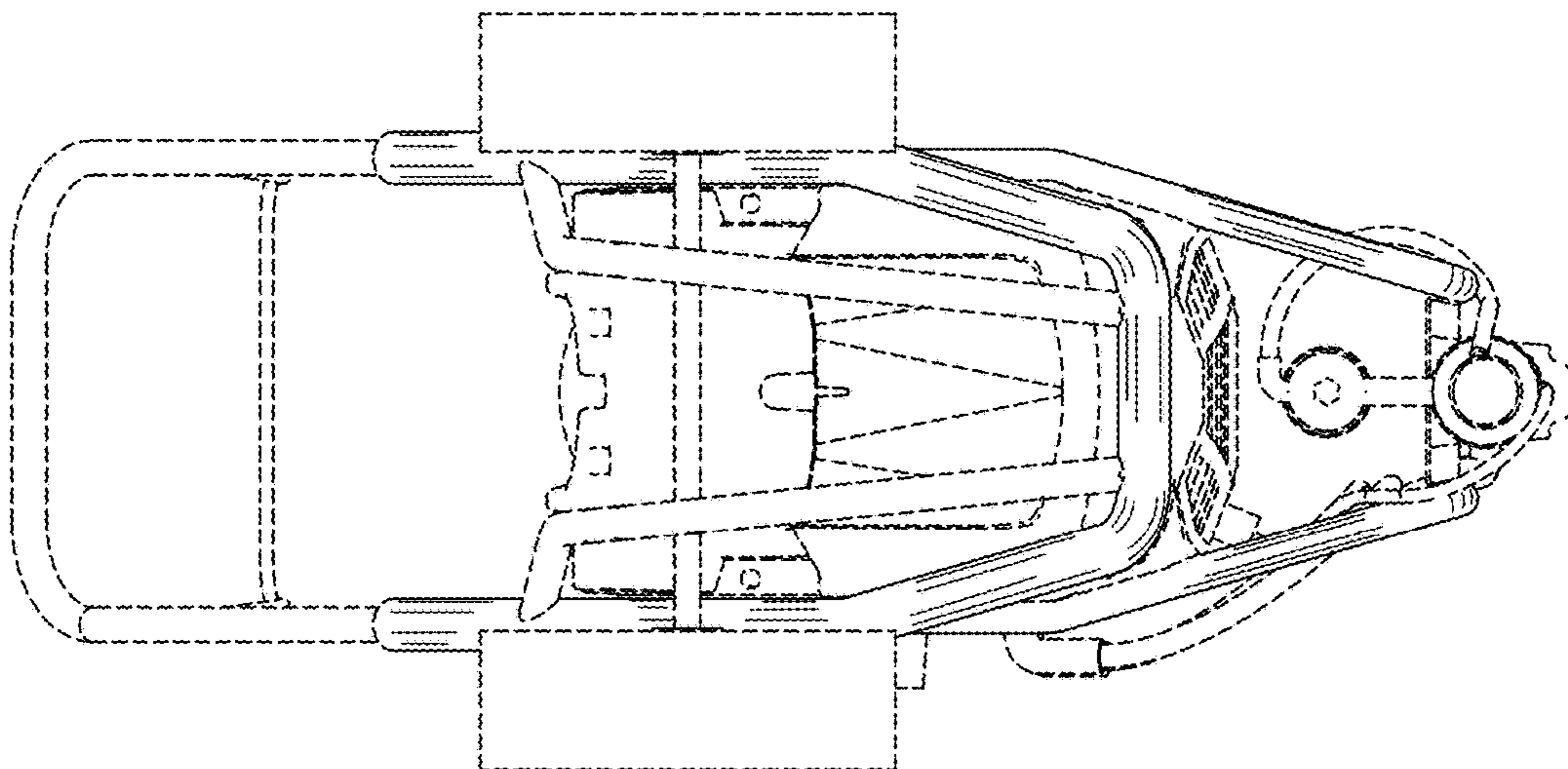


Fig. 7