



US00D800251S

(12) **United States Design Patent**
Feuerstein

(10) **Patent No.:** **US D800,251 S**
(45) **Date of Patent:** **** Oct. 17, 2017**

(54) **ROTARY SCRUBBER**

(71) Applicant: **E. MISHAN & SONS, INC.**, New York, NY (US)

(72) Inventor: **Debbie Feuerstein**, New Rochelle, NY (US)

(73) Assignee: **E. Mishan & Sons, Inc.**, New York, NY (US)

(**) Term: **15 Years**

(21) Appl. No.: **29/579,179**

(22) Filed: **Sep. 28, 2016**

(51) **LOC (10) Cl.** **23-01**

(52) **U.S. Cl.**
USPC **D23/223**

(58) **Field of Classification Search**
USPC D23/213, 223, 226, 228, 229, 230, 304,
D23/532; 239/436, 447, 587.1
CPC B05B 15/066; B05B 1/18; B05B 1/00;
B05B 15/061; B05B 9/01; A47K 3/28;
E03C 1/06; E03C 1/046
See application file for complete search history.

(56) **References Cited**

U.S. PATENT DOCUMENTS

1,847,496 A	3/1932	Priest	
2,801,431 A	8/1951	Eastis	
4,158,246 A	6/1979	Meadows	
D270,560 S *	9/1983	Clivio	D23/226
D294,965 S *	3/1988	Garrard	D23/223
D305,480 S	1/1990	Yuen	
D317,968 S *	7/1991	Tsai	D23/226
D327,943 S *	7/1992	Tsai	D23/213
5,224,231 A	7/1993	Nacar	
5,289,605 A	3/1994	Armbruster	
D357,097 S *	4/1995	Lee	D23/213
D359,547 S *	6/1995	Wang	D23/213
5,423,102 A	6/1995	Madison	
D368,343 S	3/1996	Gebhard	

5,511,269 A	4/1996	Watson	
5,870,790 A	2/1999	Root	
5,950,268 A	9/1999	Murphy	
5,964,003 A	10/1999	Rogers	
D417,961 S	12/1999	Powis, Jr.	
D425,603 S *	5/2000	Guo	D23/213
6,224,287 B1	5/2001	Gieux	
D451,288 S	12/2001	Bean	
6,374,447 B1	4/2002	Armbruster	
D466,183 S *	11/2002	Tse	D23/213
6,688,800 B2	2/2004	Kresge	
D498,288 S *	11/2004	Chen	D23/223
D512,121 S *	11/2005	Chen	D23/223
6,984,901 B2	1/2006	Wong	

(Continued)

Primary Examiner — Robin V Webster

(74) *Attorney, Agent, or Firm* — Notaro, Michalos & Zaccaria P.C.

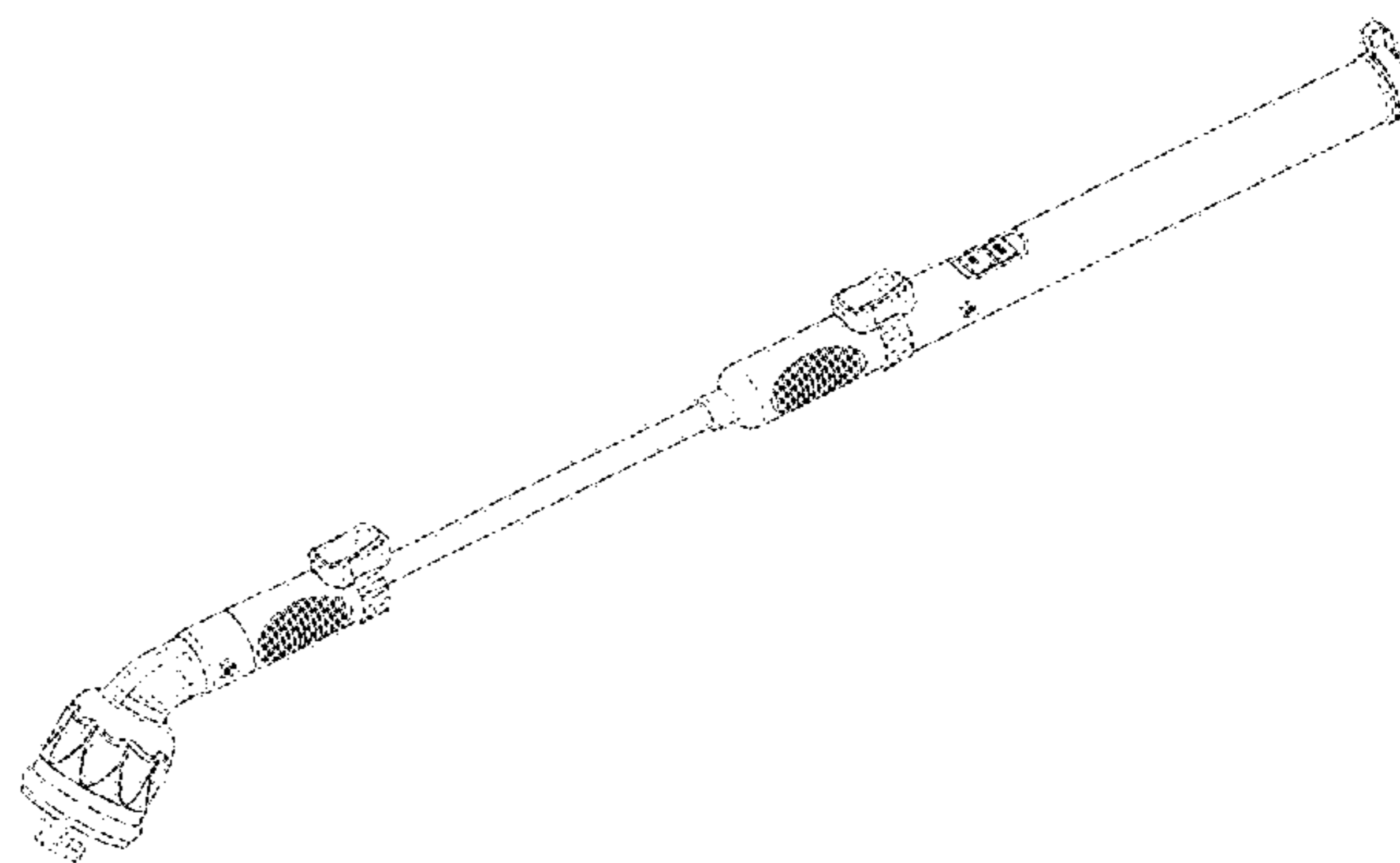
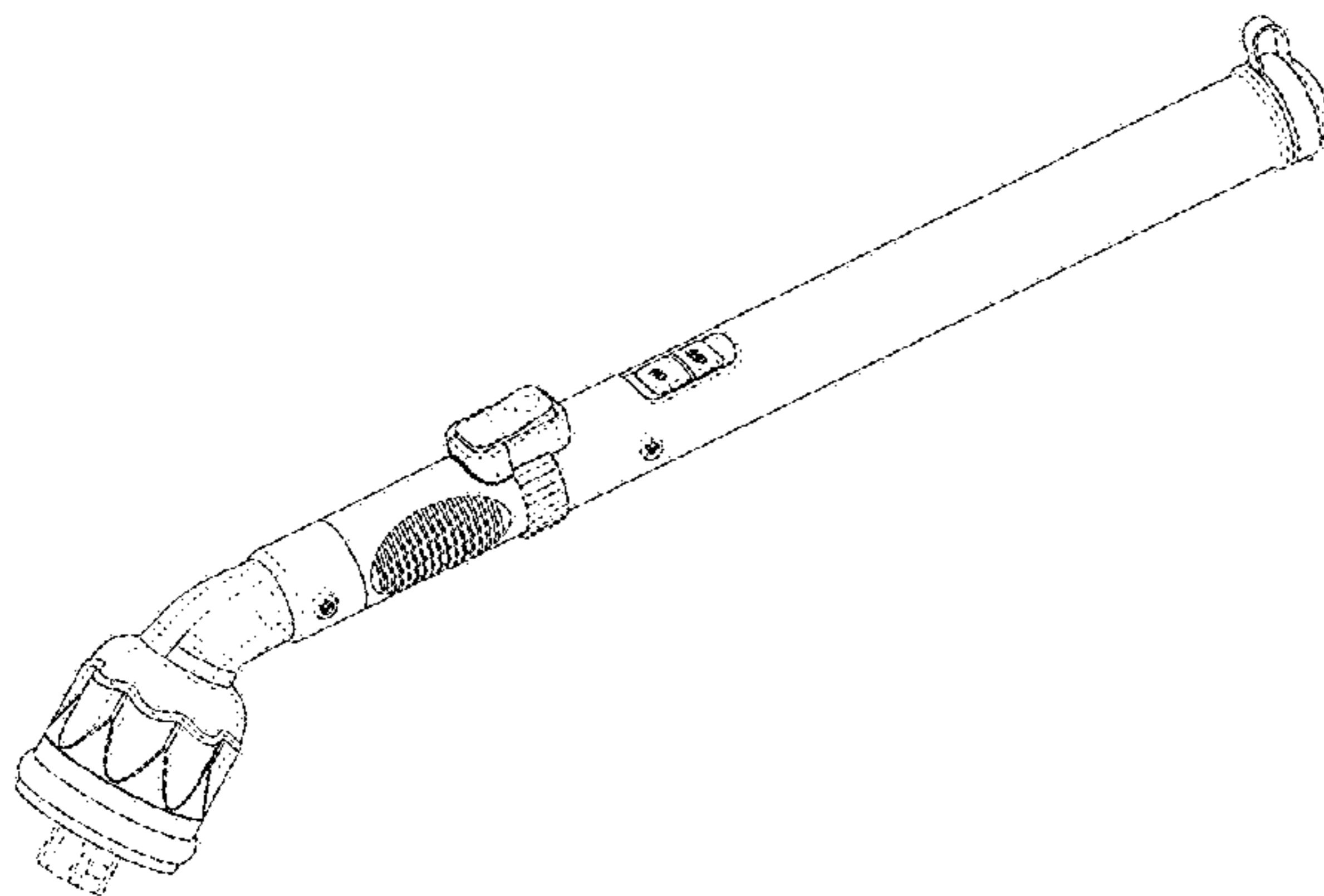
(57) **CLAIM**

The ornamental design for a rotary scrubber, as shown and described.

DESCRIPTION

FIG. 1 is a top left front perspective view of a rotary scrubber showing my design therefor;
FIG. 2 is a top plan view thereof;
FIG. 3 is a right side elevational view thereof;
FIG. 4 is a left side elevational view thereof;
FIG. 5 is a bottom plan view thereof;
FIG. 6 is a front elevational view thereof;
FIG. 7 is a rear elevational view thereof;
FIG. 8 is a view similar to FIG. 1 showing my design in an extended configuration;
FIG. 9 is top plan view thereof;
FIG. 10 is right side elevational view thereof;
FIG. 11 is a left side elevational view thereof; and,
FIG. 12 is a bottom plan view thereof.
Throughout the drawings the broken lines indicate environment and form no part of the design.

1 Claim, 12 Drawing Sheets



(56)

References Cited

U.S. PATENT DOCUMENTS

7,152,266	B1	12/2006	Haughton	
7,203,986	B2	4/2007	Pears	
D543,362	S	5/2007	Hall	
7,331,077	B1	2/2008	Henry	
7,363,673	B2	4/2008	Schonewille	
7,414,337	B2	8/2008	Wilkinson	
D589,257	S	3/2009	Van Wambeke	
D600,022	S	9/2009	Busschaert	
7,614,107	B2	11/2009	Cobabe	
7,707,674	B2	5/2010	Schonewille	
7,818,864	B2	10/2010	Wilkinson	
7,913,345	B2	3/2011	Dayton	
D636,846	S *	4/2011	Shoemaker	D23/213
7,926,141	B2	4/2011	Dayton	
7,937,792	B2	5/2011	Munn	
D641,830	S *	7/2011	Alexander	D23/213
D646,352	S *	10/2011	Krayer	D23/226
8,186,000	B2	5/2012	Hettes	
8,533,886	B2	9/2013	Cobabe	
8,574,037	B2	11/2013	Kresge	
D703,825	S	4/2014	Barrett	
8,752,227	B2	6/2014	Manning	
8,801,861	B2	8/2014	Cobabe	
8,984,695	B2	3/2015	Manning	
9,049,976	B2	6/2015	Blocker	
D765,222	S *	8/2016	Norris, Jr.	D23/213
2004/0074025	A1	4/2004	Blaustein	
2004/0083567	A1	5/2004	Lies	
2005/0066458	A1	3/2005	Belcastro	
2005/0144744	A1	7/2005	Thiess	
2006/0248666	A1	11/2006	Lies	
2016/0138631	A1	5/2016	Kresge	

* cited by examiner

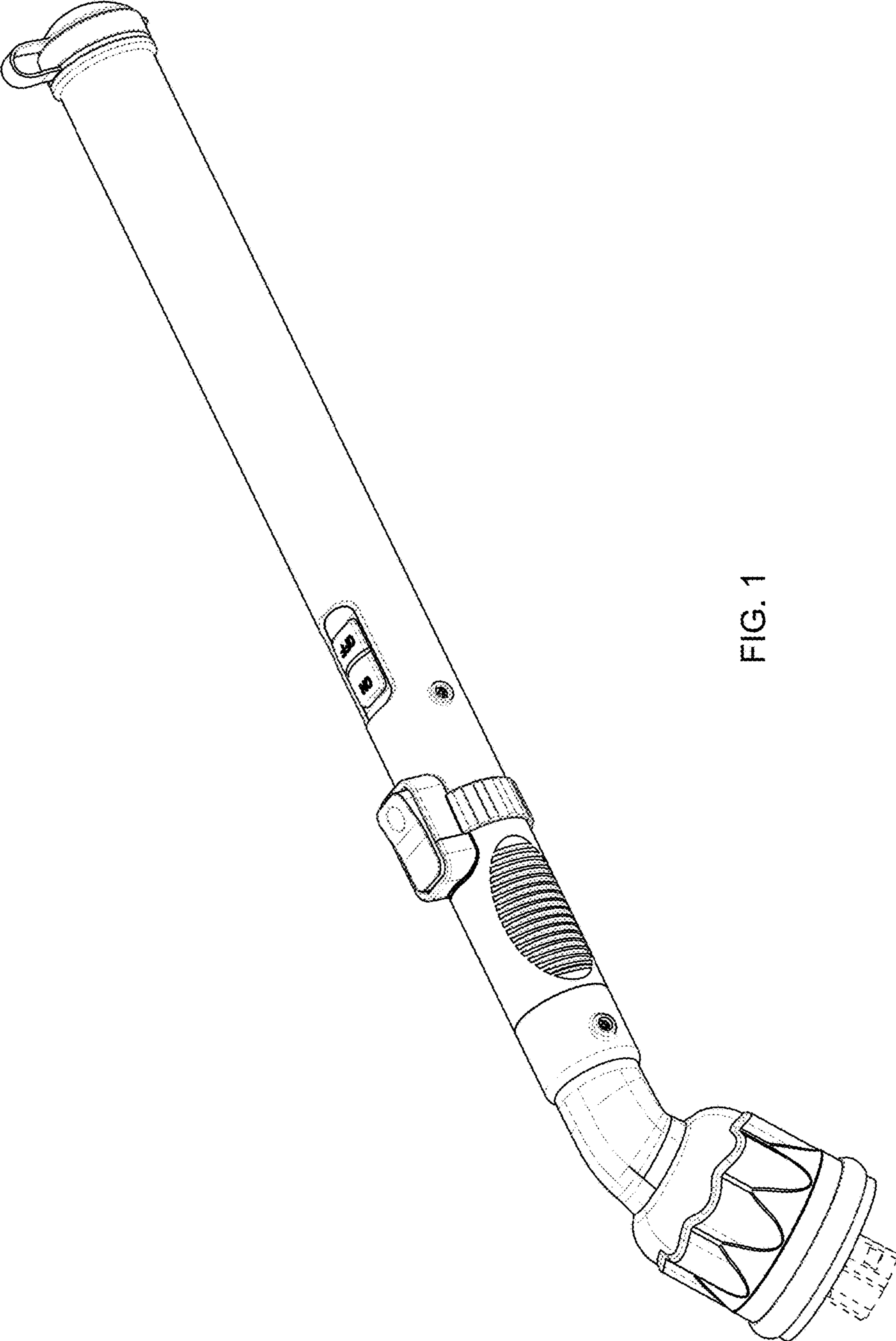


FIG. 1

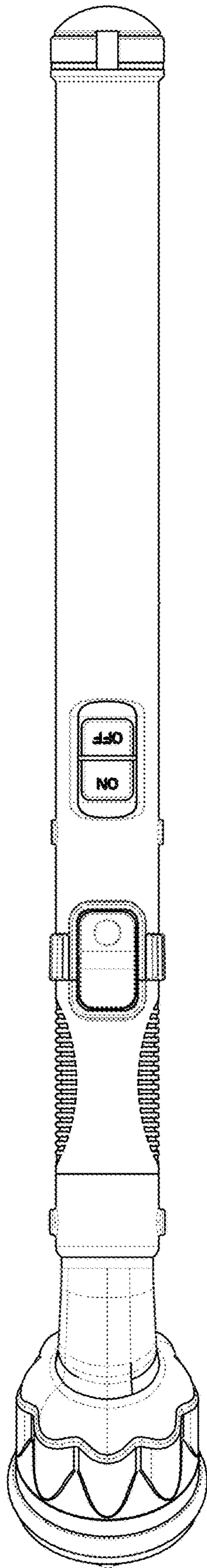


FIG. 2

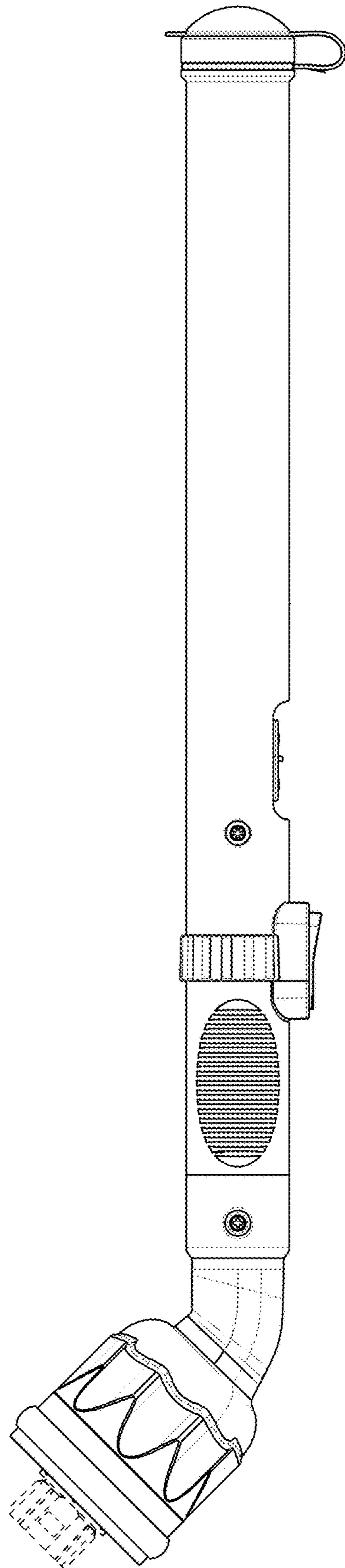


FIG. 3

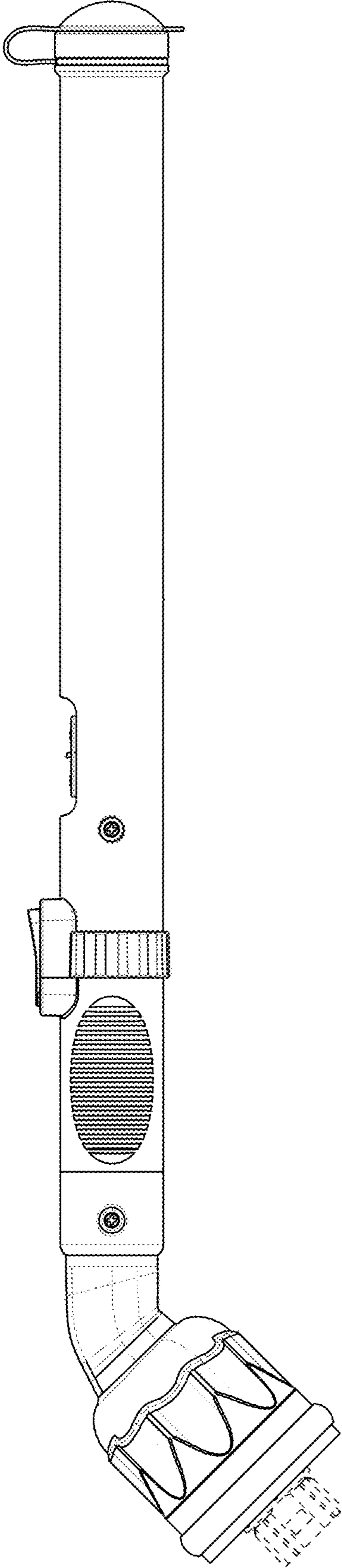


FIG.4

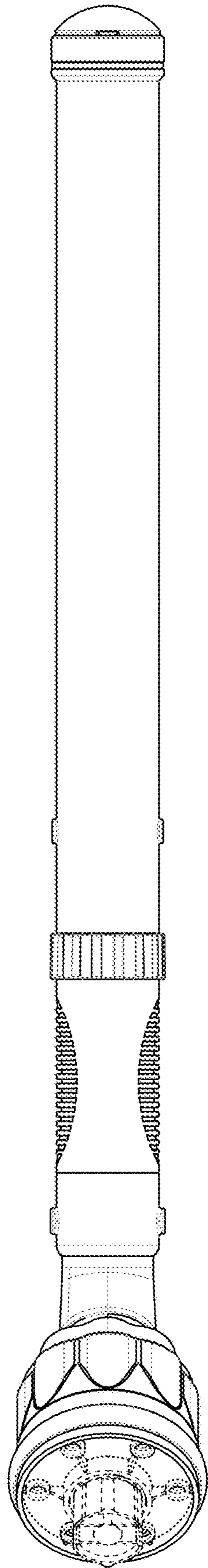


FIG.5

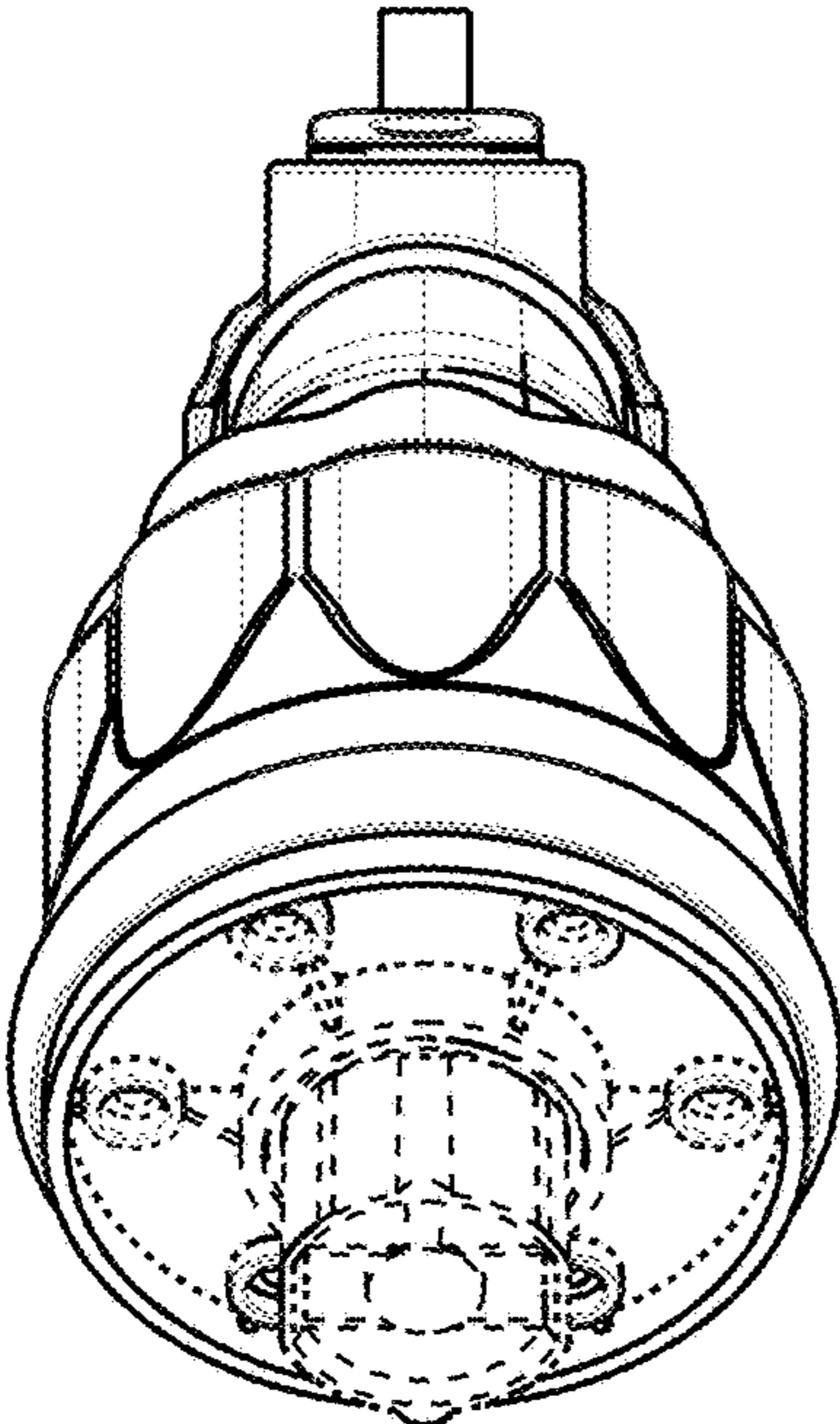


FIG. 6

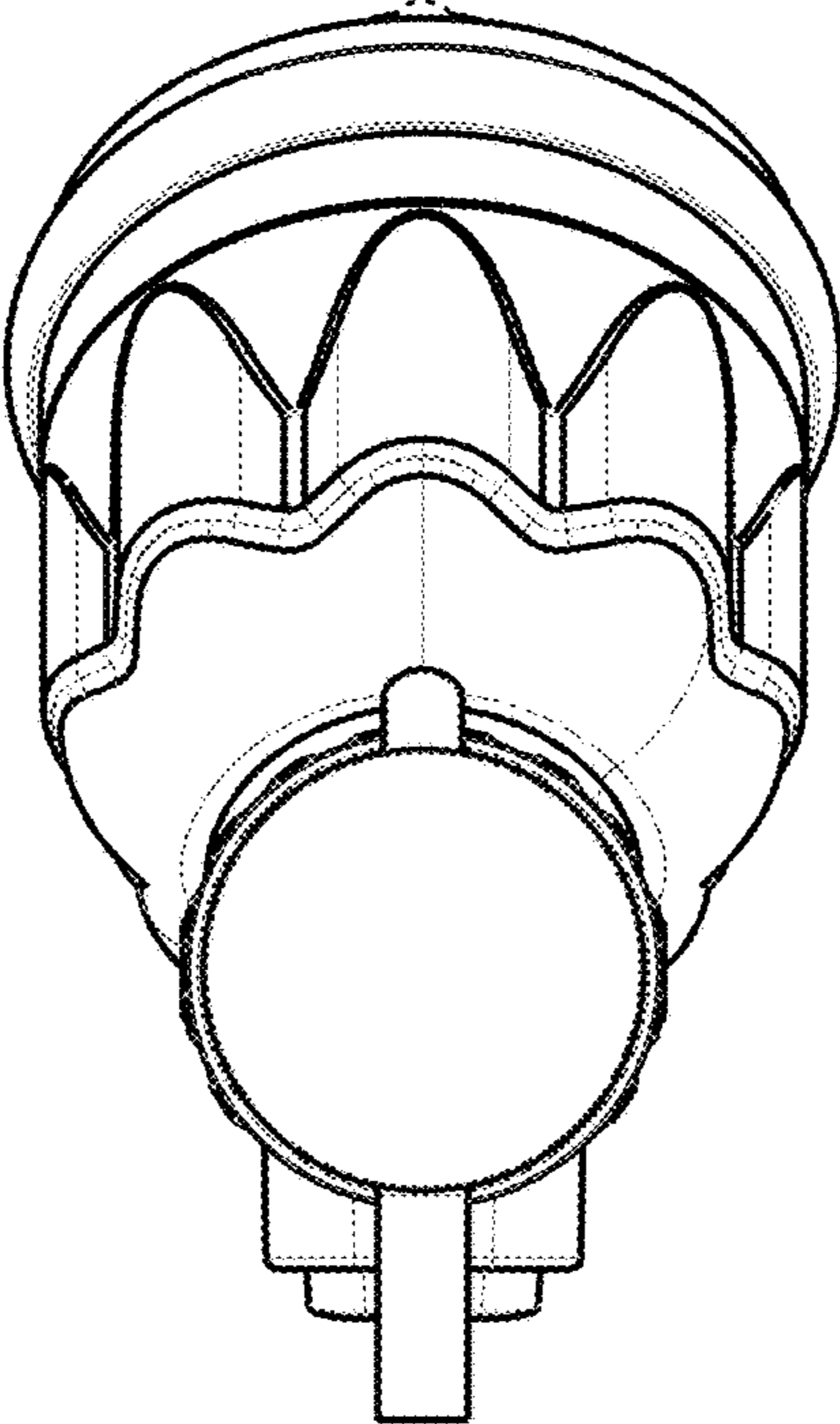


FIG. 7

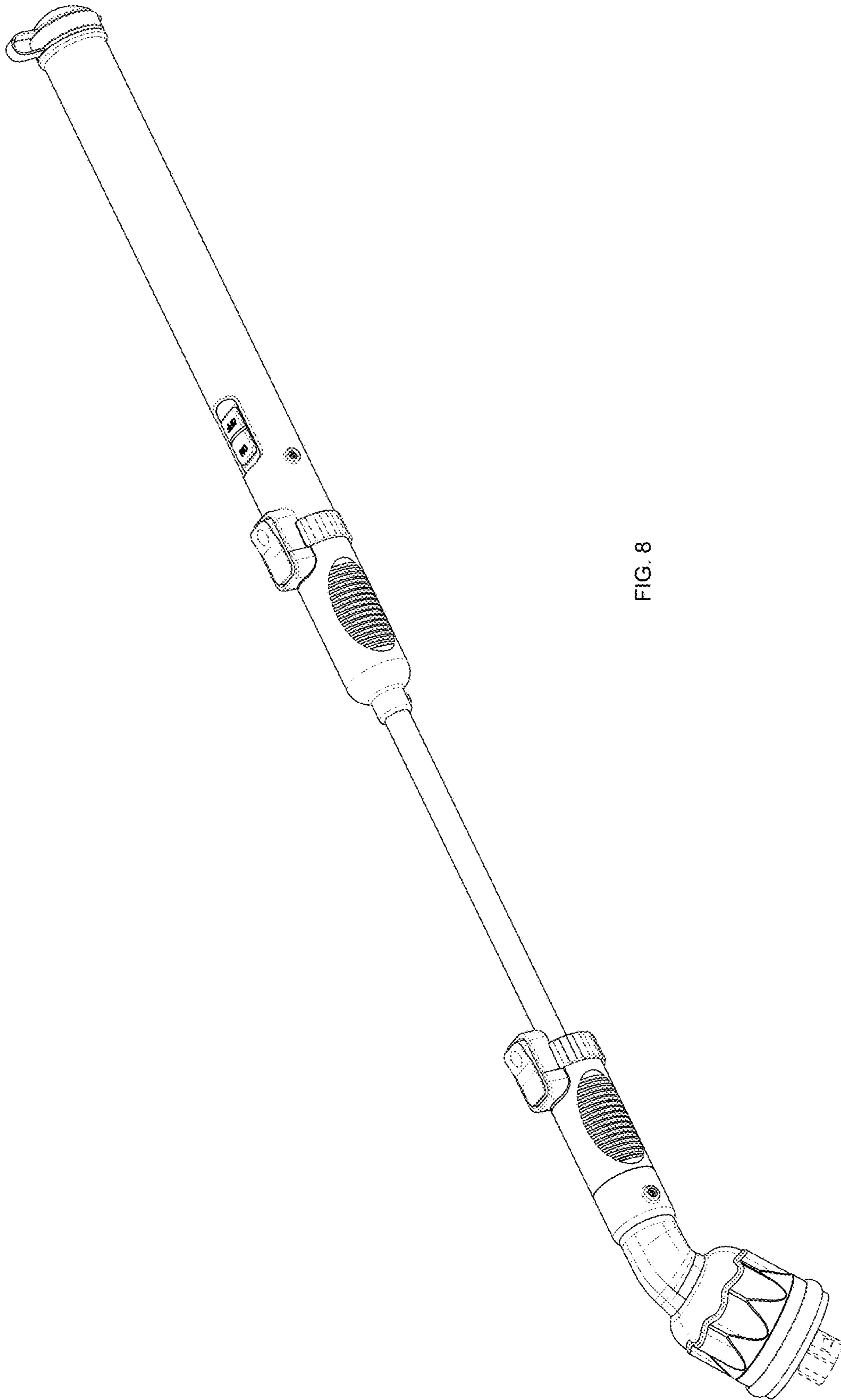


FIG. 8

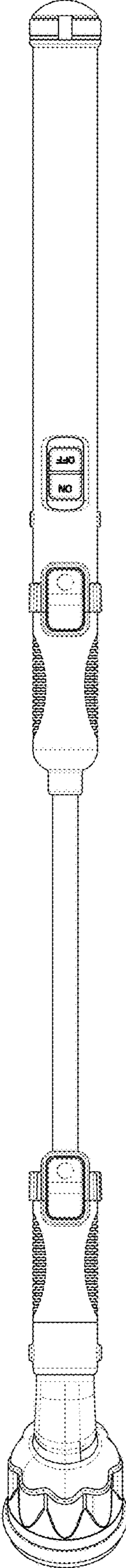


FIG. 9

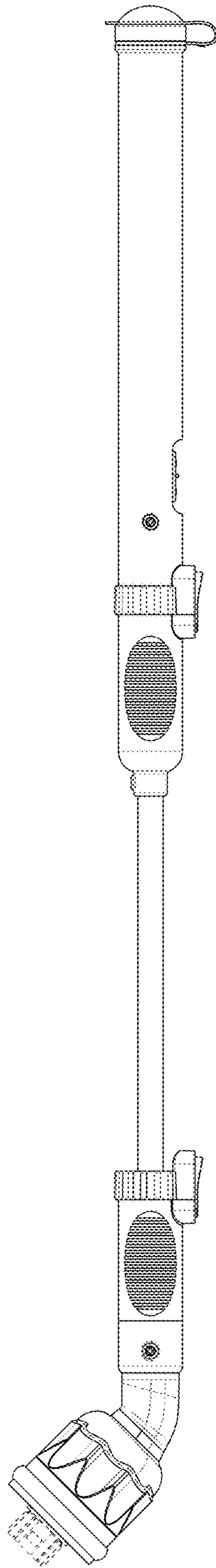


FIG. 10

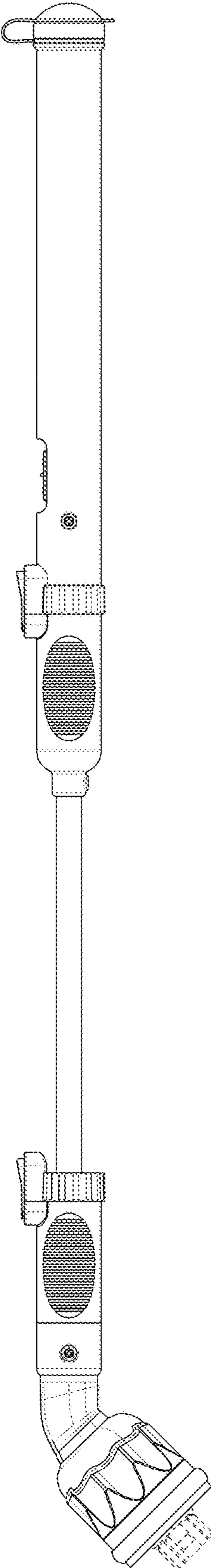


FIG. 11

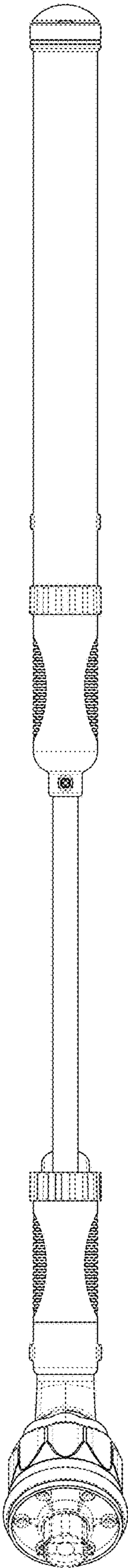


FIG. 12