



US00D800250S

(12) **United States Design Patent**
Blum

(10) **Patent No.:** **US D800,250 S**
(45) **Date of Patent:** **** Oct. 17, 2017**

- (54) **SPRAY UNIT**
- (71) Applicant: **Neoperl GmbH**, Mullheim (DE)
- (72) Inventor: **Gerhard Blum**, Gutach (DE)
- (73) Assignee: **Neoperl GmbH**, Mülheim (DE)
- (**) Term: **15 Years**

D622,355 S	8/2010	Grether
D639,911 S	6/2011	Blum
D641,834 S	7/2011	Blum
D678,480 S	3/2013	Blum
D697,174 S	1/2014	Blum
D700,282 S	2/2014	Blum
2012/0325933 A1	12/2012	Blum

(21) Appl. No.: **29/582,232**

FOREIGN PATENT DOCUMENTS

(22) Filed: **Oct. 26, 2016**

DE 102010008871 8/2011

Related U.S. Application Data

OTHER PUBLICATIONS

(62) Division of application No. 29/520,535, filed on Mar. 16, 2015, now Pat. No. Des. 773,610, which is a division of application No. 29/465,035, filed on Aug. 23, 2013, now Pat. No. Des. 728,739.

European Design Registrations Nos. 001216642-0001 to 0008.
Neoperl Brochure of Neoperl PCA Spray, 2005.

Primary Examiner — Robin V Webster

(30) **Foreign Application Priority Data**

Mar. 8, 2013 (WO) 725018801

(74) *Attorney, Agent, or Firm* — Volpe and Koenig, P.C.

(51) **LOC (10) Cl.** **23-01**

(57) **CLAIM**

(52) **U.S. Cl.**

The ornamental design of a spray unit, as shown and described.

USPC **D23/213**

(58) **Field of Classification Search**

USPC D23/213, 249; 239/428.5, 437;
261/DIG. 22; 366/276, 364-5

DESCRIPTION

CPC E03C 1/084; B05B 7/0425
See application file for complete search history.

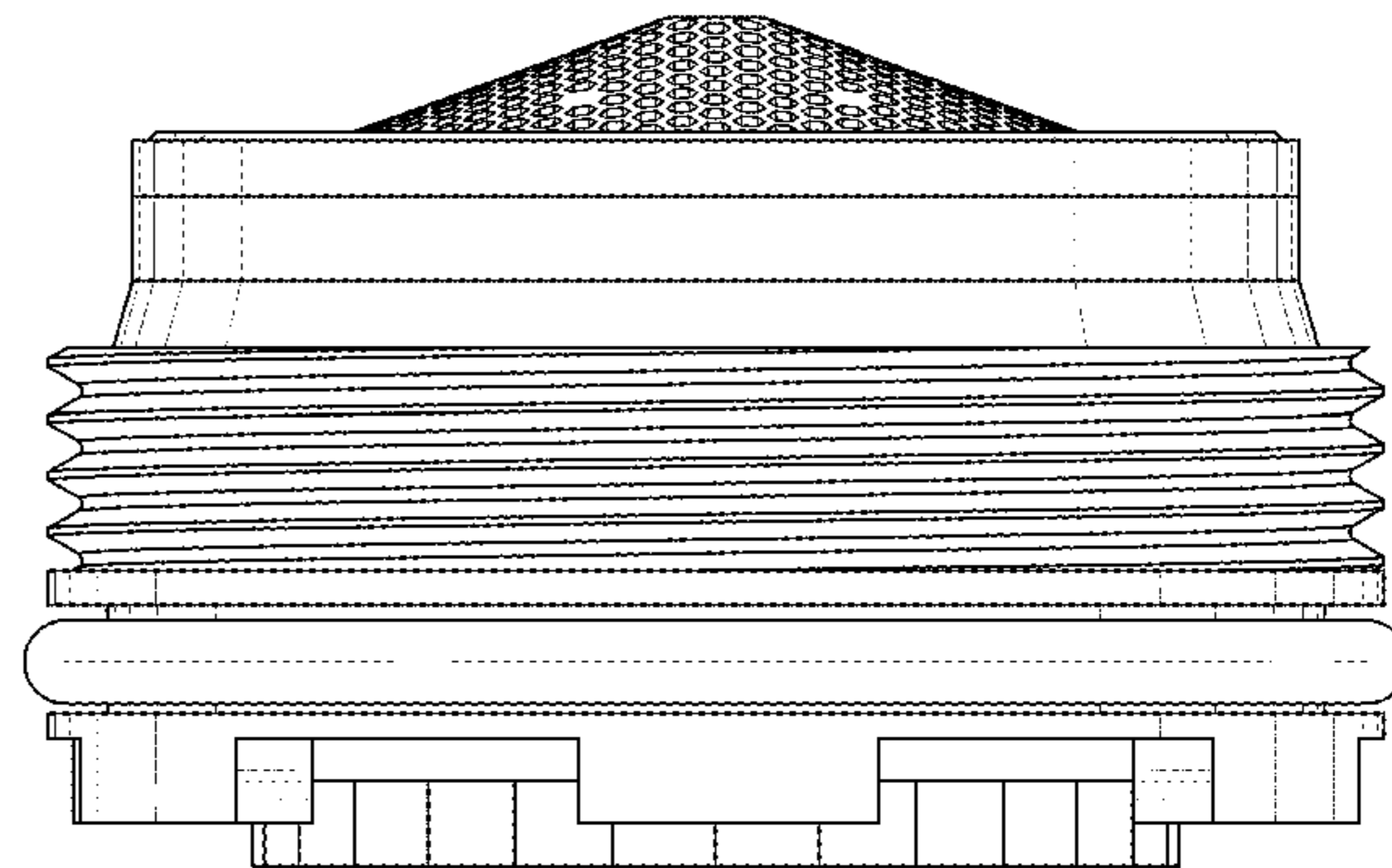
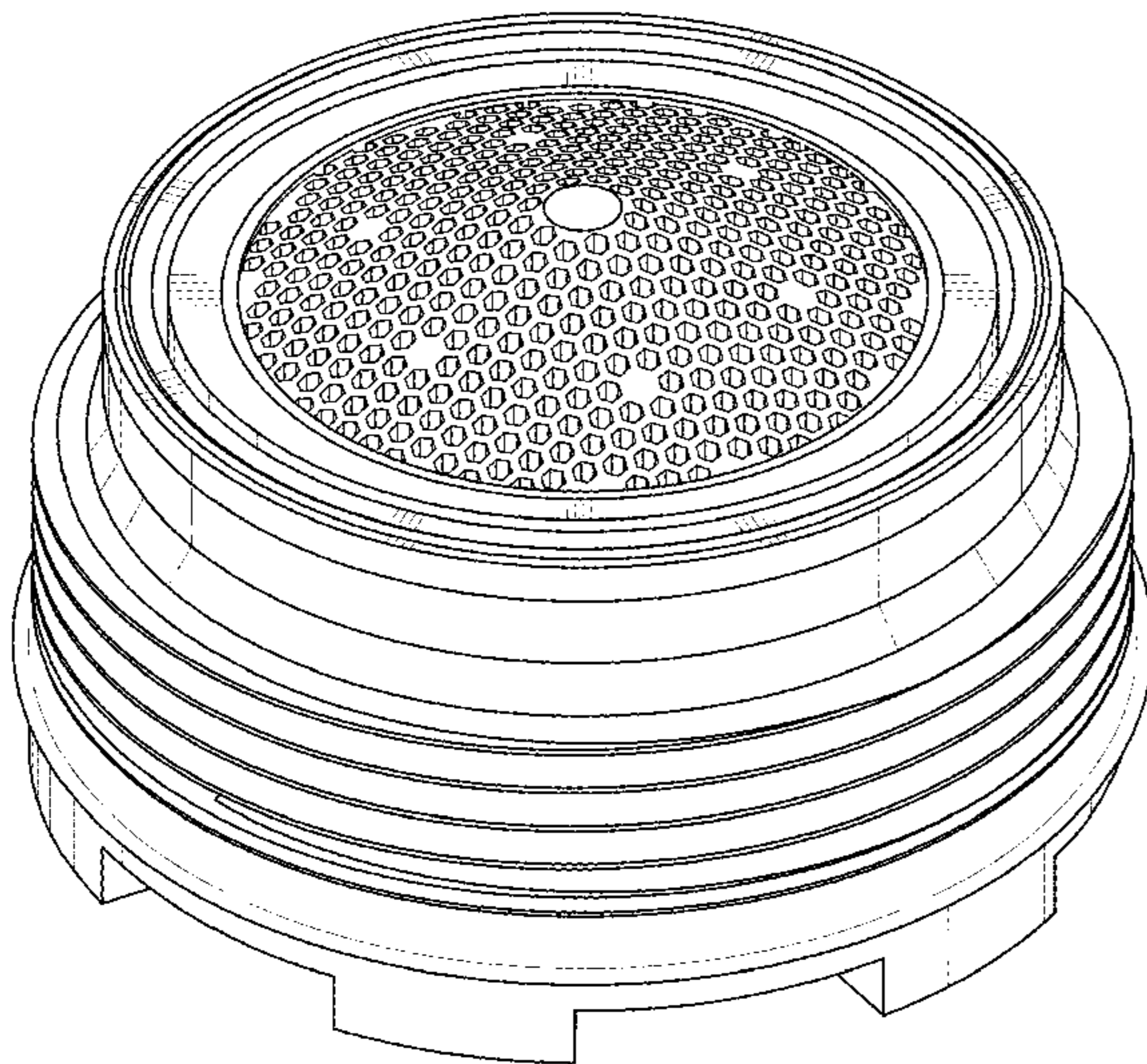
FIG. 1 is a top plan view of a spray unit in accordance with my design;
FIG. 2 is a top, front perspective view thereof;
FIG. 3 is a bottom view thereof;
FIG. 4 is a bottom, rear perspective view thereof; and,
FIG. 5 is an elevational view thereof.

(56) **References Cited**

U.S. PATENT DOCUMENTS

D605,732 S	12/2009	Stein
D612,911 S	3/2010	Grether

1 Claim, 5 Drawing Sheets



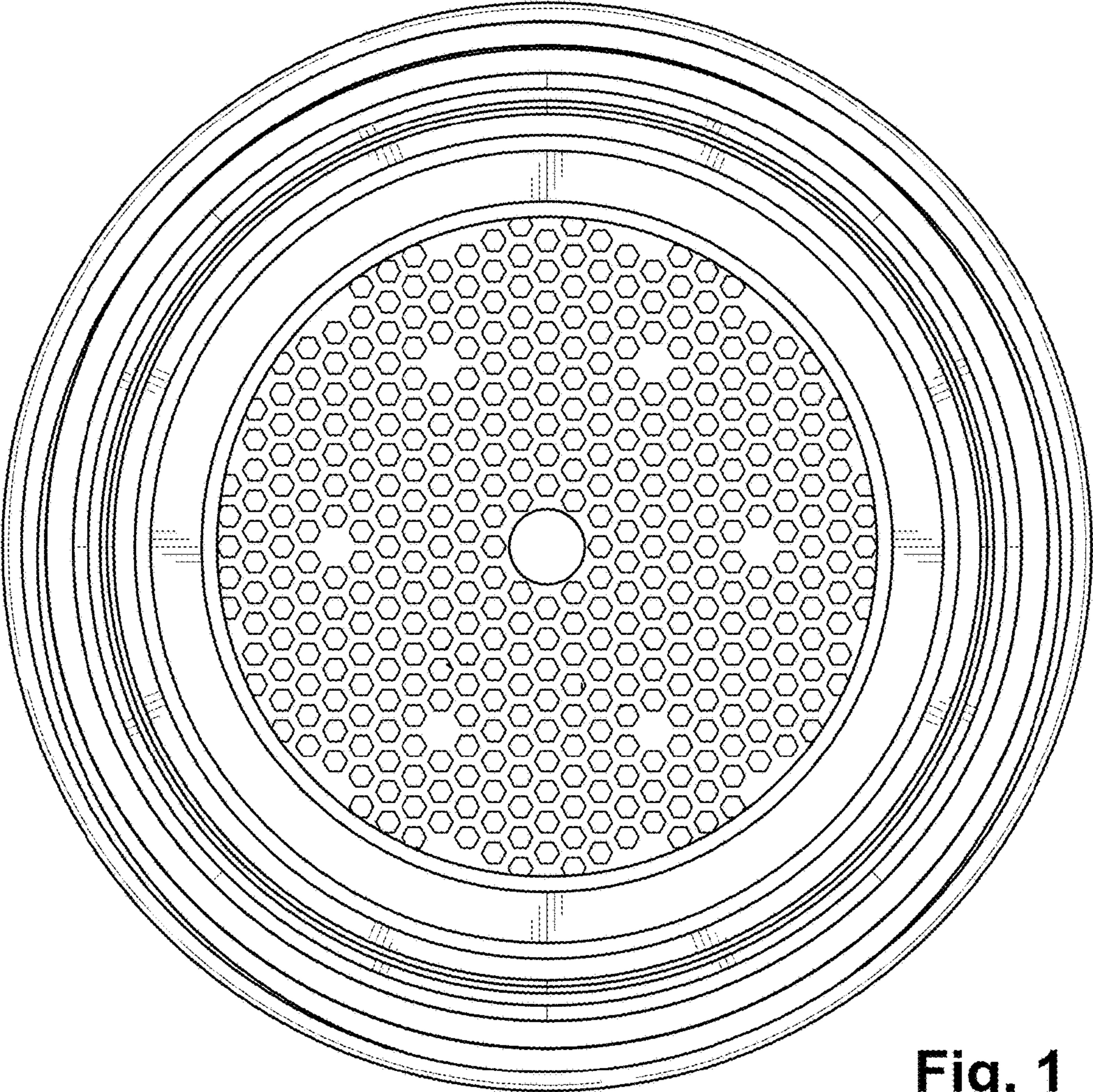


Fig. 1

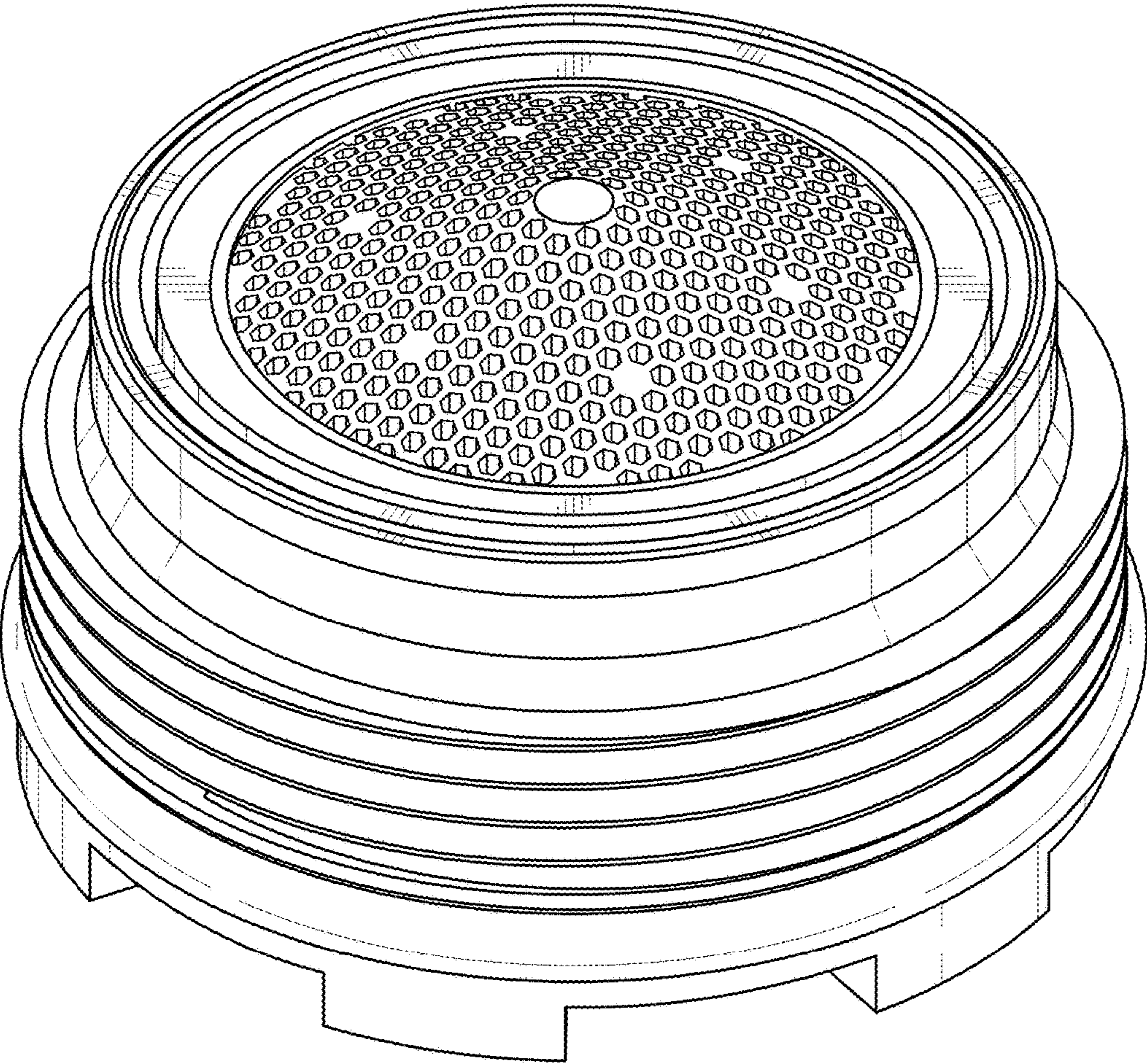


Fig. 2

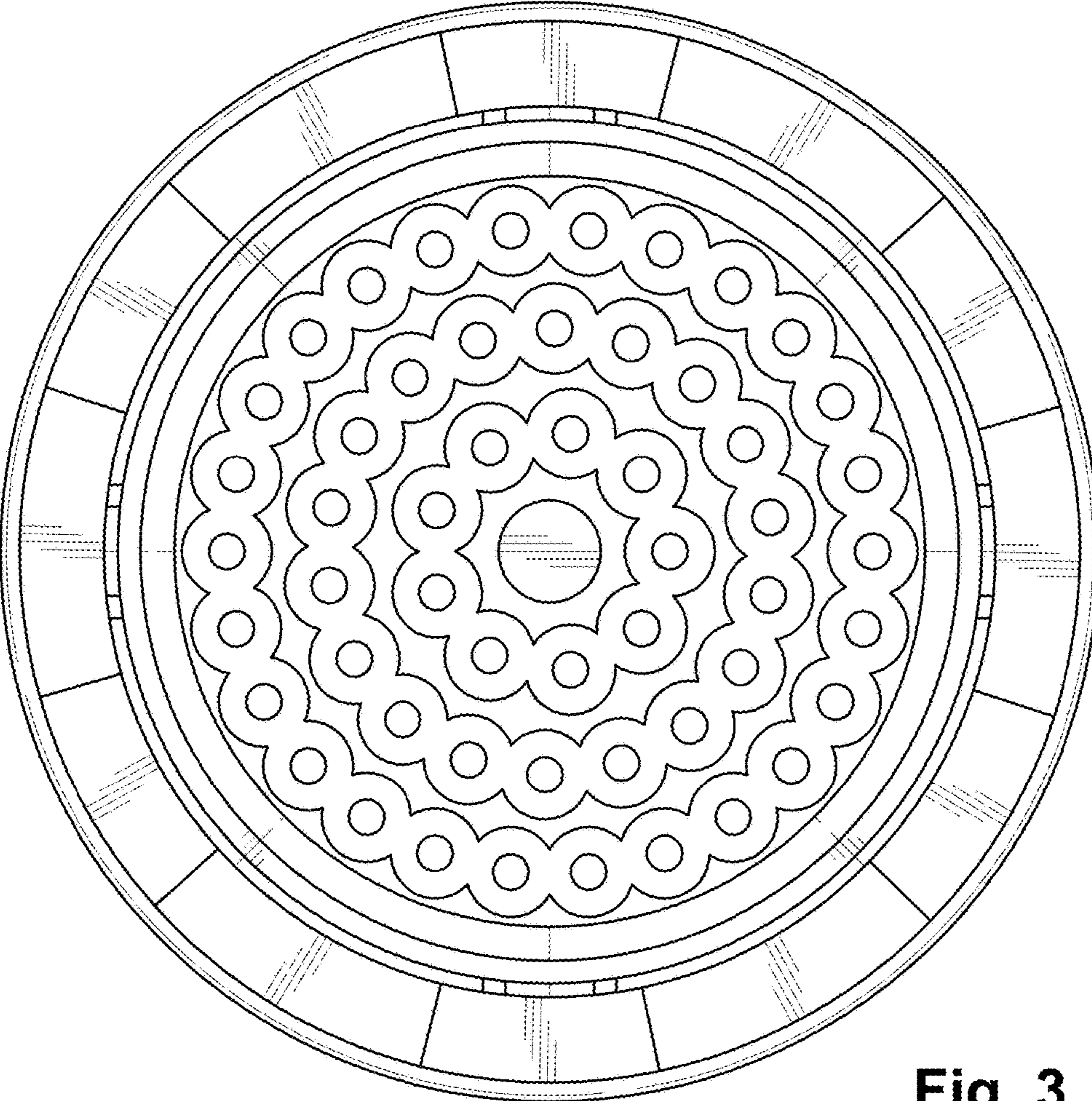


Fig. 3

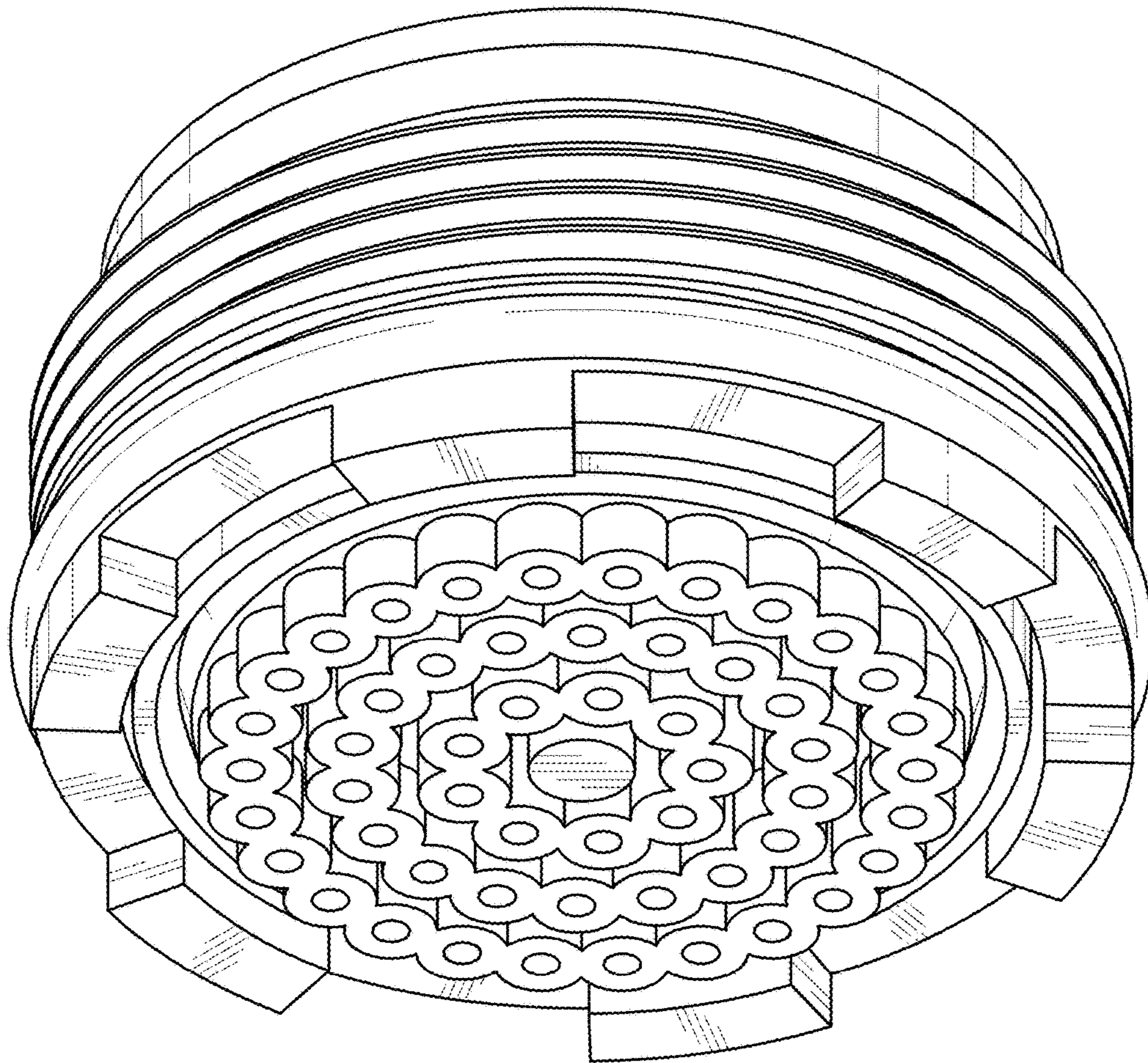


Fig. 4

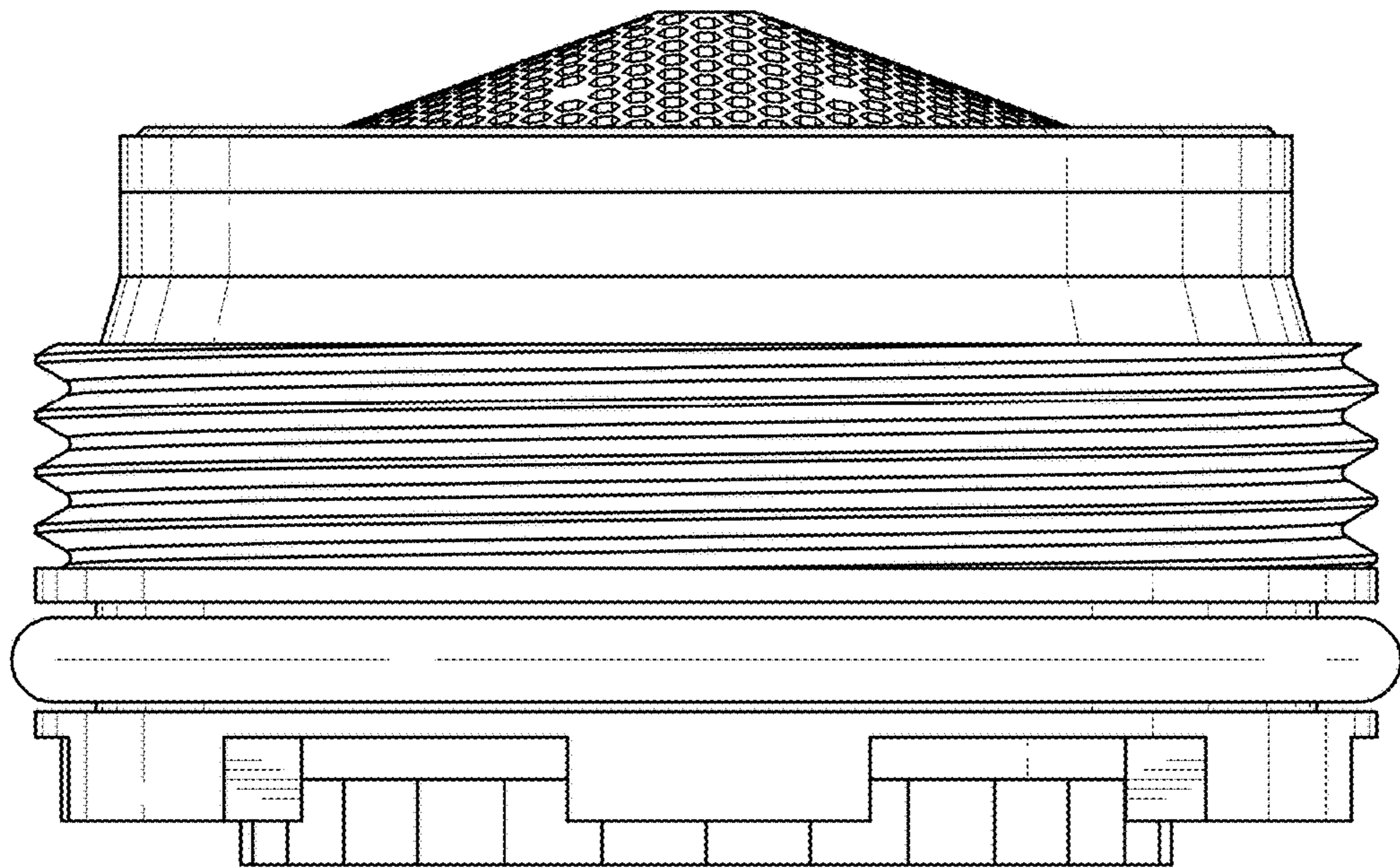


Fig. 5