



US00D800249S

(12) **United States Design Patent** (10) **Patent No.:** **US D800,249 S**
Irwin (45) **Date of Patent:** **** Oct. 17, 2017**

(54) **SHOWERHEAD**
(71) Applicant: **Jere F. Irwin**, Yakima, WA (US)
(72) Inventor: **Jere F. Irwin**, Yakima, WA (US)
(**) Term: **15 Years**

D652,893 S 1/2012 Leung
D653,304 S 1/2012 Obara et al.
D659,796 S 5/2012 Farley
D659,797 S 5/2012 Farley
D662,177 S * 6/2012 Flowers D23/213
(Continued)

(21) Appl. No.: **29/562,658**
(22) Filed: **Apr. 27, 2016**
(51) **LOC (10) Cl.** **23-01**
(52) **U.S. Cl.**
USPC **D23/213**
(58) **Field of Classification Search**
USPC D23/213, 223, 226, 229, 230;
239/282-328
CPC B05B 1/00; B05B 1/18; B05B 9/01
See application file for complete search history.

OTHER PUBLICATIONS

Awesome Inventions, "Telephone Shaped Shower Head", <http://www.awesomeinventions.com/shop/telephone-shaped-shower-head/>, retrieved May 30, 2017.

(Continued)

Primary Examiner — Robin V Webster
(74) *Attorney, Agent, or Firm* — Wells St. John, P.S.

(57) **CLAIM**

I claim the ornamental design for a showerhead, as shown and described.

DESCRIPTION

FIG. 1 is a bottom, right, front perspective view of an ornamental design for a showerhead;
FIG. 2 is a top, left, rear perspective view of an ornamental design for a showerhead of FIG. 1;
FIG. 3 is a front elevational view of the ornamental design shown in FIG. 1;
FIG. 4 is a left elevational view of the ornamental design shown in FIG. 1, the right elevational view being a mirror image of the view shown;
FIG. 5 is a back elevational view of the ornamental design shown in FIG. 1;
FIG. 6 is a top plan view of the ornamental design shown in FIG. 1; and,
FIG. 7 is a bottom plan view of the ornamental design shown in FIG. 1.

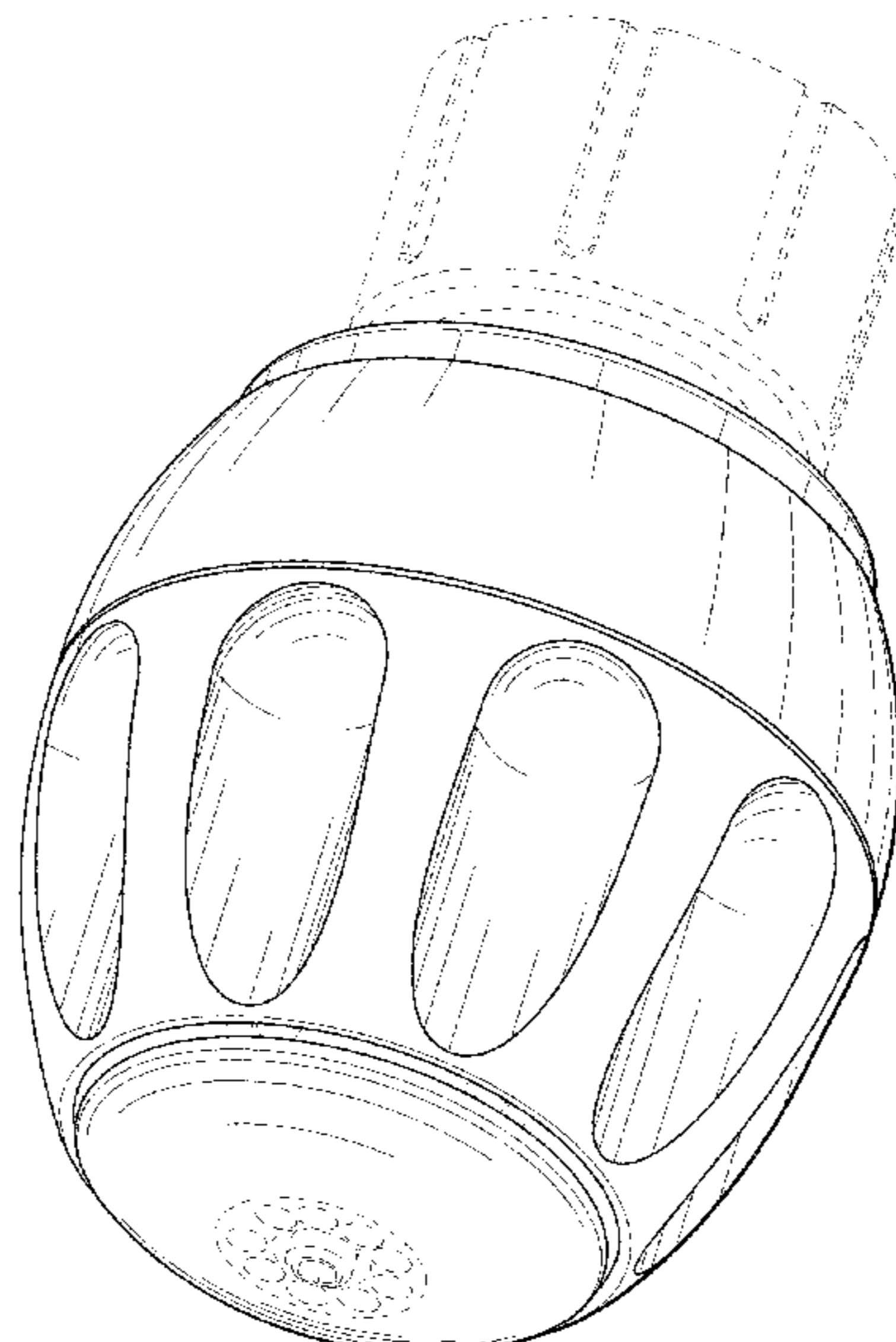
The dashed lines illustrate environment that does not form a part of the present invention, and no claim is made to the material illustrated with dashed lines.

1 Claim, 7 Drawing Sheets

(56) **References Cited**

U.S. PATENT DOCUMENTS

739,927	A	9/1903	Rennerfelt	
1,401,462	A *	12/1921	Circle	B05B 1/18 239/553
4,117,979	A	10/1978	Lagarelli et al.	
D380,034	S *	6/1997	Simonette	D23/213
D443,024	S *	5/2001	Wu	D23/229
6,343,750	B1	2/2002	Engel	
6,550,695	B1	4/2003	Trent	
D488,850	S *	4/2004	Wu	D23/229
D496,431	S *	9/2004	Kollmann	D23/229
D520,109	S *	5/2006	Wu	D23/229
7,111,795	B2	9/2006	Thong	
D612,009	S *	3/2010	Eilmus	D23/213
D617,872	S *	6/2010	Ye	D23/229
D624,156	S *	9/2010	Leber	D23/213
D648,825	S	11/2011	Ando et al.	
D651,281	S	12/2011	Lobermeier et al.	
D652,115	S	1/2012	Wang et al.	
D652,482	S	1/2012	Obara et al.	
D652,892	S	1/2012	Obara et al.	



(56)

References Cited

U.S. PATENT DOCUMENTS

D662,180 S * 6/2012 Cutler D23/229
 D665,050 S 8/2012 Kulig et al.
 D665,478 S 8/2012 Farley
 D666,010 S 8/2012 Farley
 D667,078 S 9/2012 Rodney
 D670,358 S 11/2012 Bai
 D670,359 S 11/2012 Bai
 D674,038 S 1/2013 Mendoza et al.
 D675,709 S 2/2013 Mendoza et al.
 8,376,248 B2 2/2013 Meisner et al.
 D683,813 S 6/2013 Erli
 D687,924 S 8/2013 Newson
 D689,981 S 9/2013 Bollerod
 D694,856 S 12/2013 Madsen
 D698,890 S 2/2014 Bollerod
 D698,891 S 2/2014 Bollerod
 D698,892 S 2/2014 Frost
 D698,893 S 2/2014 Bollerod
 D698,894 S 2/2014 Bollerod
 D698,895 S 2/2014 Bollerod
 D699,319 S 2/2014 Frost
 D700,276 S 2/2014 Bollerod
 D700,277 S 2/2014 Bollerod
 D700,278 S 2/2014 Bollerod
 D700,279 S 2/2014 Bollerod

D700,280 S 2/2014 Bollerod
 D700,281 S 2/2014 Bollerod
 D710,973 S 8/2014 Madsen
 D724,180 S 3/2015 Lin
 D733,539 S 7/2015 Wu
 D734,427 S * 7/2015 Bygbjerg D23/213
 D736,347 S 8/2015 Tan
 D736,348 S 8/2015 Tan
 D738,991 S 9/2015 Brodey et al.
 D739,495 S 9/2015 Flowers et al.
 D749,694 S 2/2016 Madsen
 D751,171 S 3/2016 Bahler
 D751,172 S 3/2016 Bahler
 D753,264 S * 4/2016 Berkman D23/213
 D753,267 S * 4/2016 Byron D23/229
 D777,880 S * 1/2017 Chen D23/229

OTHER PUBLICATIONS

Toxel.com, "Egg Shaped Shower Concept," Apr. 3, 2010, <http://www.toxel.com/inspiration/2010/04/03/egg-shaped-shower-concept/>, retrieved May 30, 2017.
 Ultrafeel TV, "Spiral Egg Shower by Arina Komarova", Feb. 27, 2010, <http://ultrafeel.tv/shower-egg-arina-komarova/>, retrieved May 30, 2017.

* cited by examiner

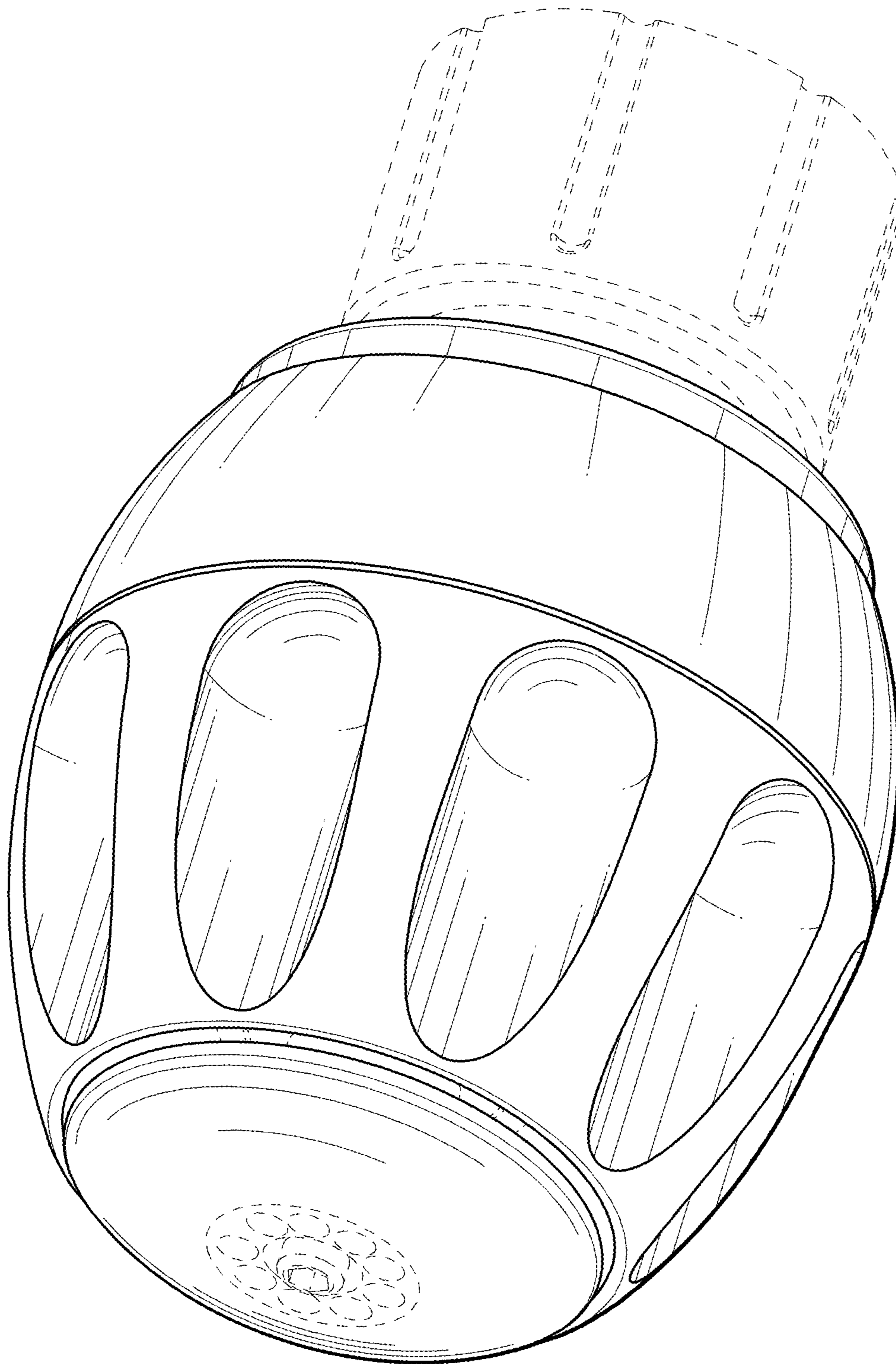


FIG. 1

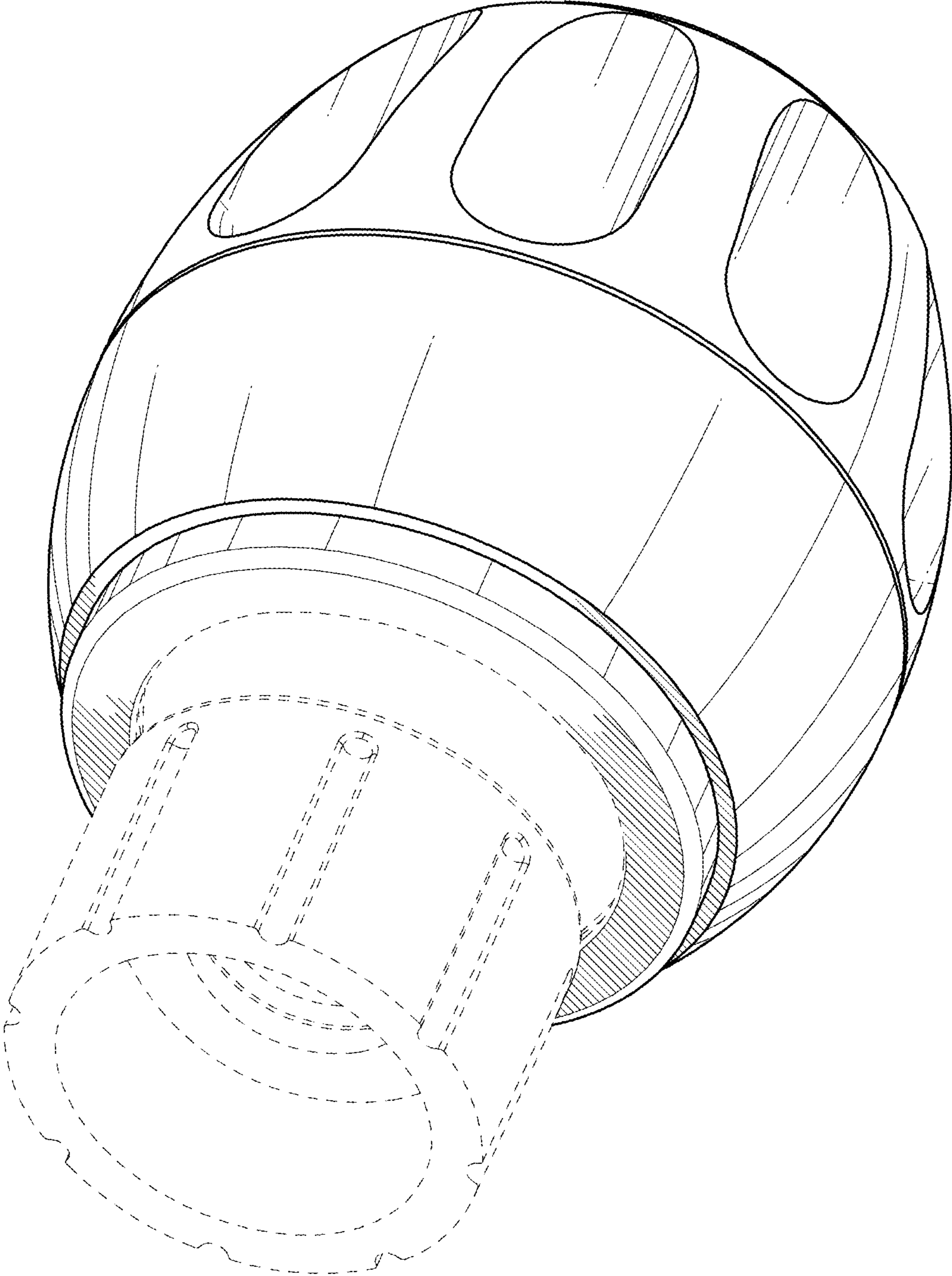


FIG. 2

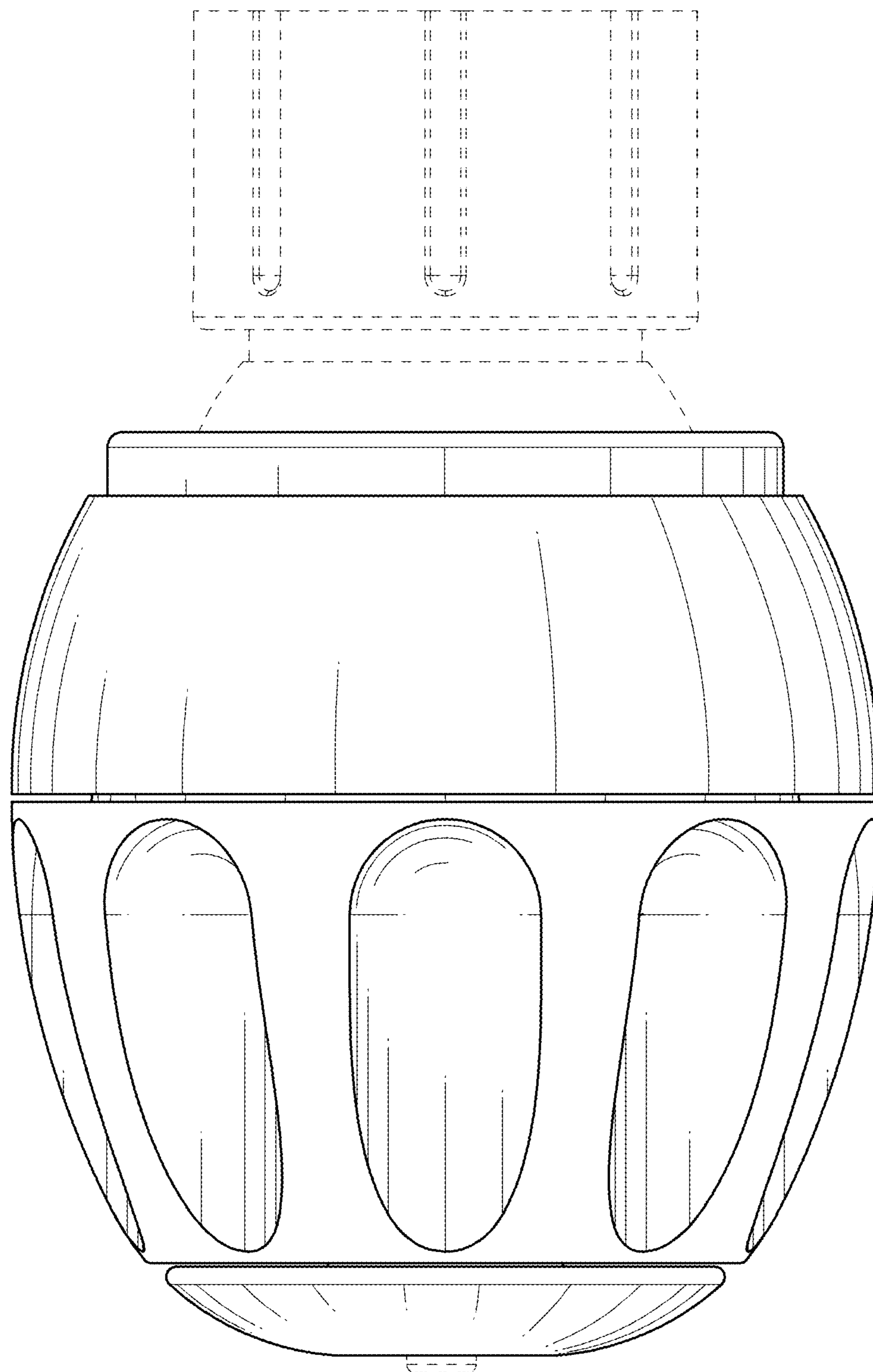


FIG. 3

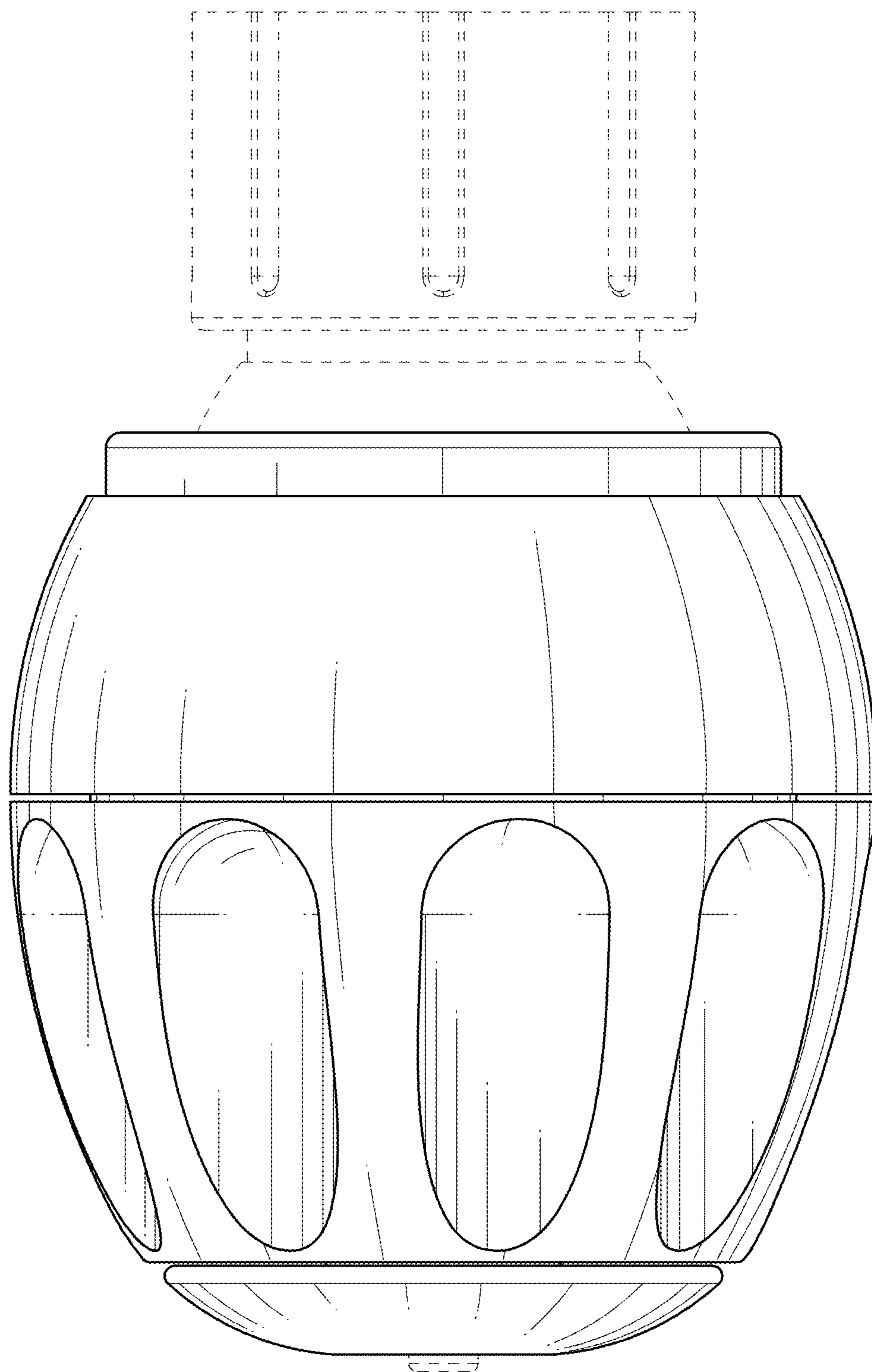


FIG. 4

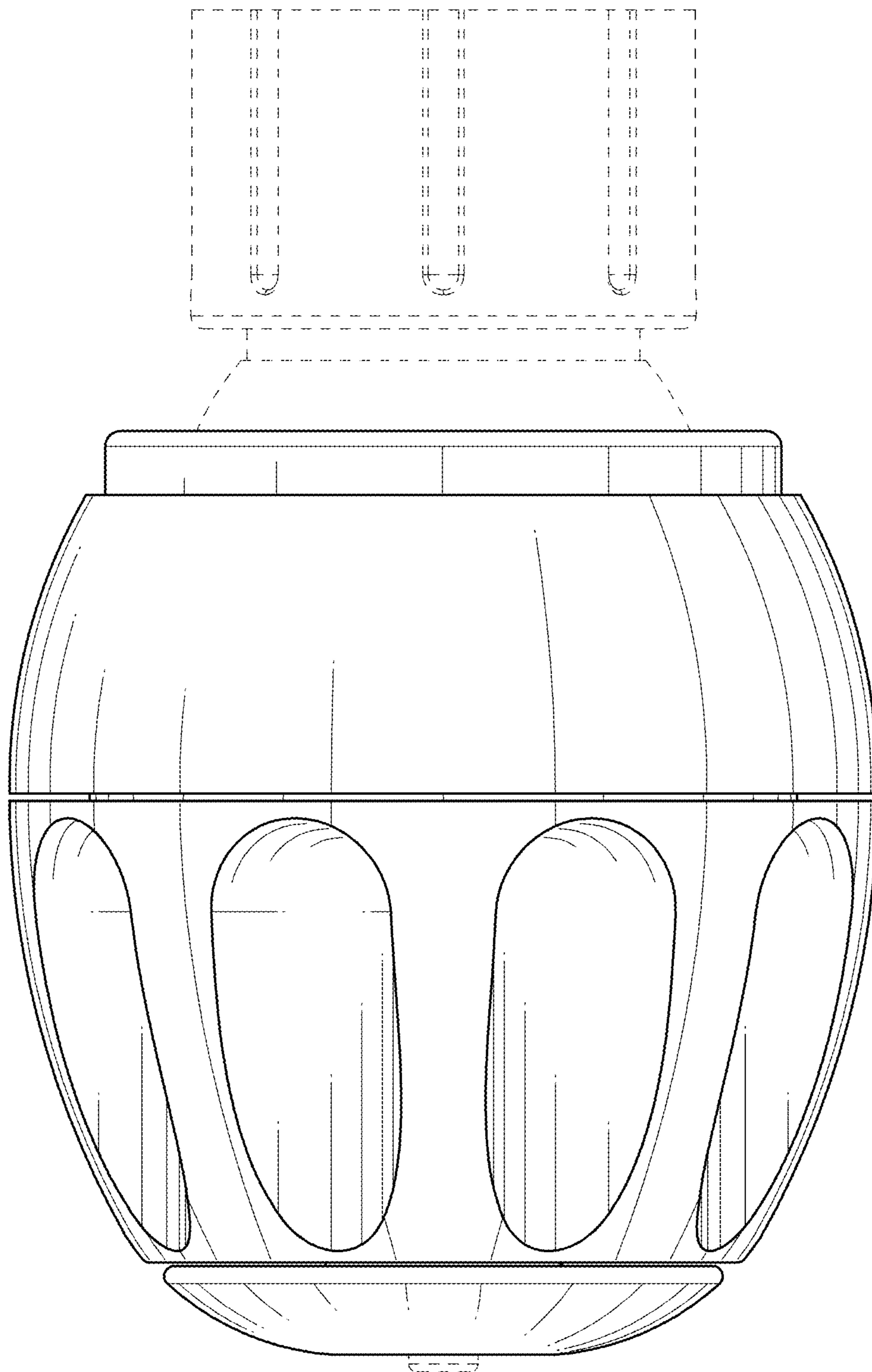


FIG. 5

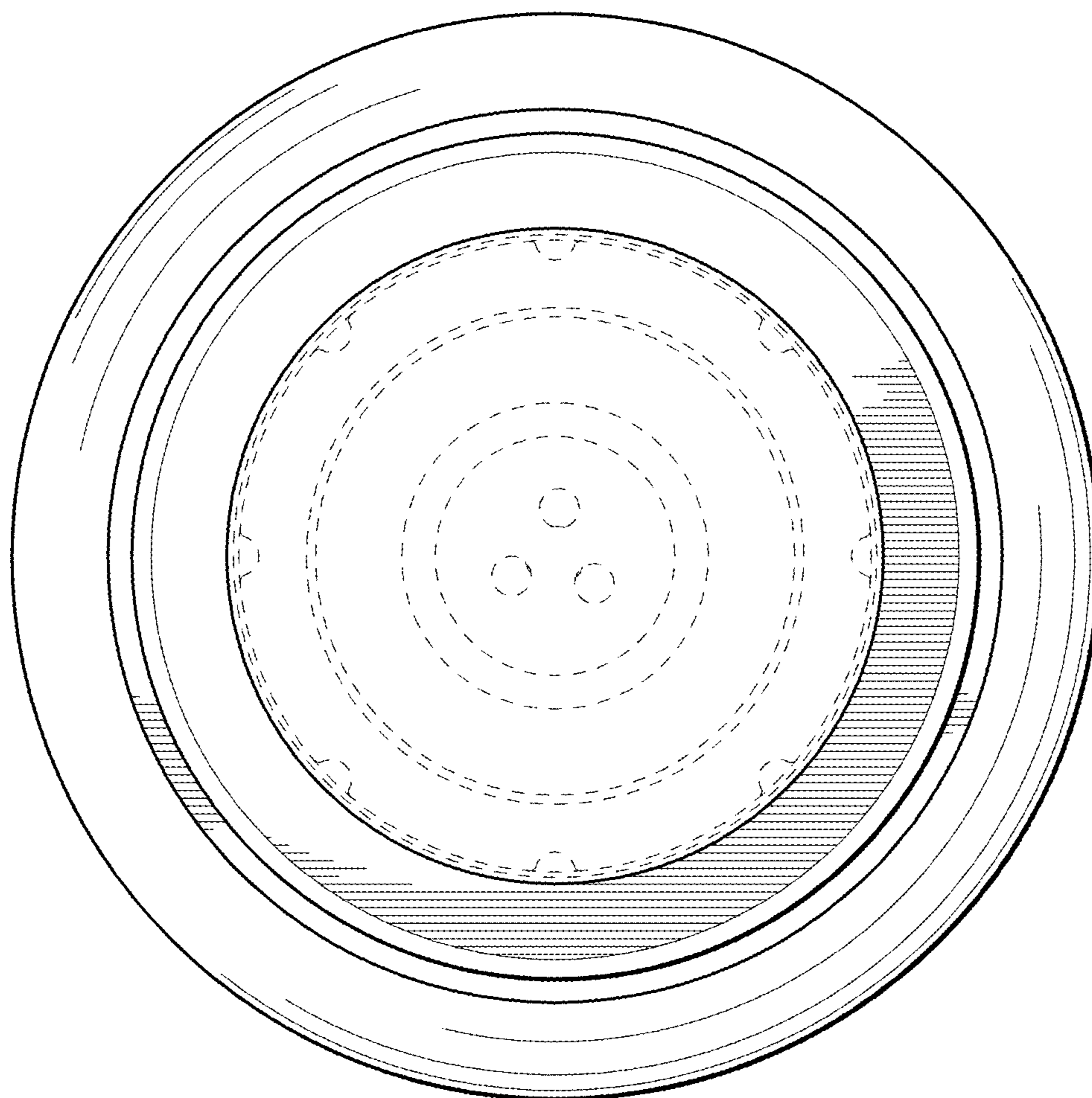


FIG. 6

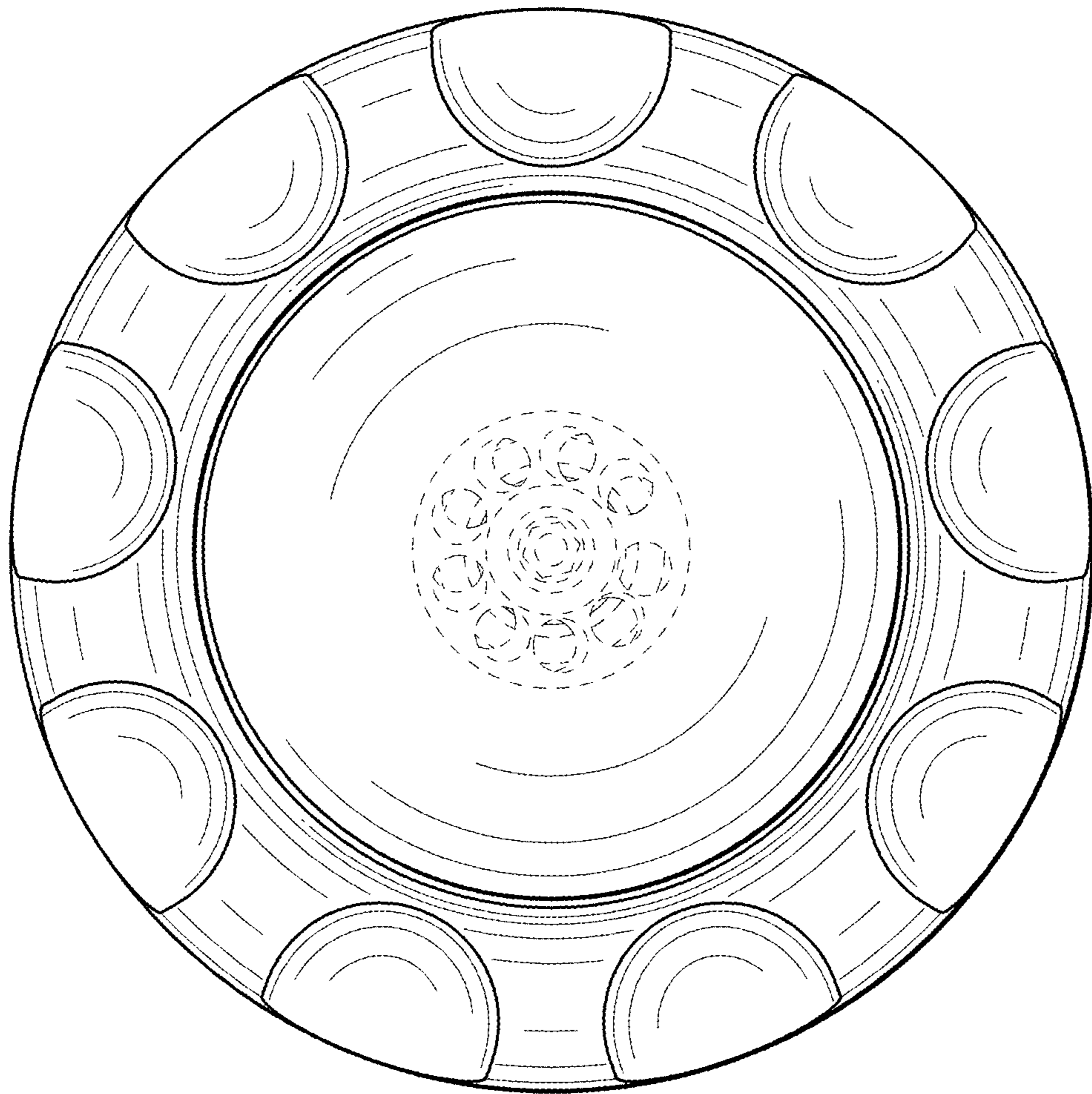


FIG. 7