



US00D800247S

(12) **United States Design Patent**
Barrett

(10) **Patent No.:** **US D800,247 S**

(45) **Date of Patent:** **** Oct. 17, 2017**

(54) **CHLORINATOR EXTENSION FOR POTABLE WATER CHLORINE NEUTRALIZING UNIT**

(71) Applicant: **Zachary Bradford Barrett**, Garden Grove, CA (US)

(72) Inventor: **Zachary Bradford Barrett**, Garden Grove, CA (US)

(**) Term: **15 Years**

(21) Appl. No.: **29/586,495**

(22) Filed: **Dec. 5, 2016**

(51) **LOC (10) Cl.** **23-01**

(52) **U.S. Cl.**
USPC **D23/207; D23/208**

(58) **Field of Classification Search**
USPC D23/207-208, 209, 211.2, 210, 266; 210/282, 238, 754
CPC B01D 35/00; B01D 35/30; B01D 35/153; C02F 1/00; C02F 1/003
See application file for complete search history.

(56) **References Cited**

U.S. PATENT DOCUMENTS

2,236,802	A *	4/1941	McDonald	F16L 3/18
					138/113
2,818,084	A *	12/1957	Tennison, Jr.	F16L 17/035
					138/168
D265,227	S *	6/1982	Jolley	D23/207
D291,347	S *	8/1987	Weaver	D23/207
D296,460	S *	6/1988	Clack	D23/209
D297,857	S *	9/1988	Alexander	D23/207
5,035,798	A *	7/1991	Stenger	B01D 24/04
					210/232
D319,287	S *	8/1991	Baumstark	D23/207
D404,797	S *	1/1999	Jameson	D23/209
6,565,743	B1 *	5/2003	Poirier	B65D 51/00
					116/284
D496,986	S *	10/2004	King	D23/209

D547,822	S *	7/2007	Kennedy	D23/207
D706,901	S *	6/2014	Hagen	D23/207
D718,416	S *	11/2014	Reilly	D23/209
D723,667	S *	3/2015	Locke	D23/266
D728,754	S *	5/2015	Hargens	D23/266
D752,177	S *	3/2016	Enomoto	D23/207
D755,344	S *	5/2016	Reckin	D23/209
D762,812	S *	8/2016	Branscomb	D23/209
D767,712	S *	9/2016	Huda	D23/207
D773,014	S *	11/2016	Pale	D23/209
D773,621	S *	12/2016	Gill	D23/259
D783,773	S *	4/2017	Hill	D23/207
2006/0196818	A1 *	9/2006	Selsdon	B01D 39/2055
					210/282

(Continued)

Primary Examiner — Robin V Webster

Assistant Examiner — James C Thorn, Sr.

(74) *Attorney, Agent, or Firm* — Kelly & Kelley, LLP

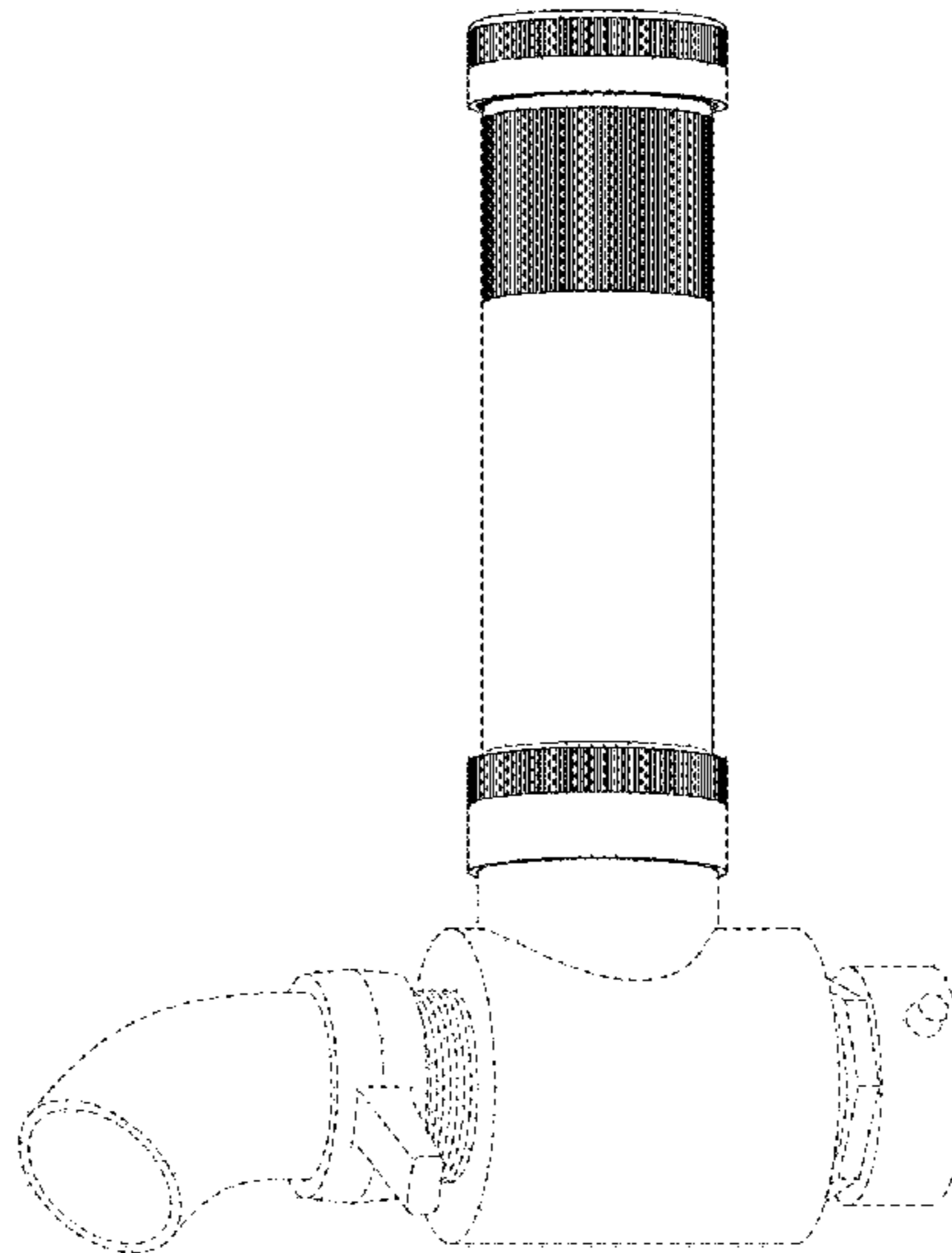
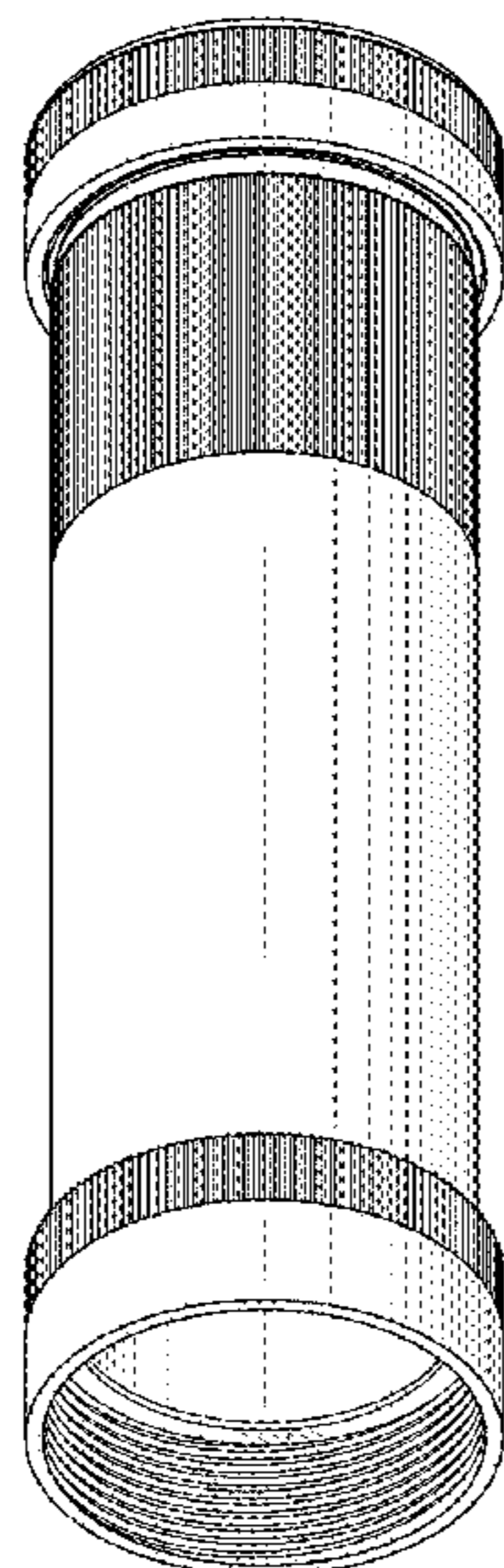
(57) **CLAIM**

The ornamental design for a chlorinator extension for potable water chlorine neutralizing unit, as shown and described.

DESCRIPTION

FIG. 1 is a front and top perspective view of a chlorinator extension for potable water chlorine neutralizing unit embodying my new design; FIG. 2 is a rear and bottom perspective view thereof; FIG. 3 is a front elevational view thereof, the rear elevational view being a mirror image; FIG. 4 is a right-side elevational view thereof, the left-side elevational view being a mirror image; FIG. 5 is a top plan view thereof; FIG. 6 is a bottom plan view thereof; and, FIG. 7 is another perspective view thereof, shown in use. The broken lines shown in the drawings are included for the purpose of illustrating environmental structure and form no part of the claimed design.

1 Claim, 6 Drawing Sheets



(56)

References Cited

U.S. PATENT DOCUMENTS

2013/0037474 A1* 2/2013 Kosak C02F 1/325
210/232
2014/0367321 A1* 12/2014 Lee B01D 35/306
210/232
2015/0076052 A1* 3/2015 Fisher B01D 35/30
210/232
2016/0136551 A1* 5/2016 Jankiewicz B01D 35/147
210/236
2016/0151725 A1* 6/2016 Ashley B01D 61/18
210/232
2016/0339371 A1* 11/2016 Cupit B01D 27/08

* cited by examiner

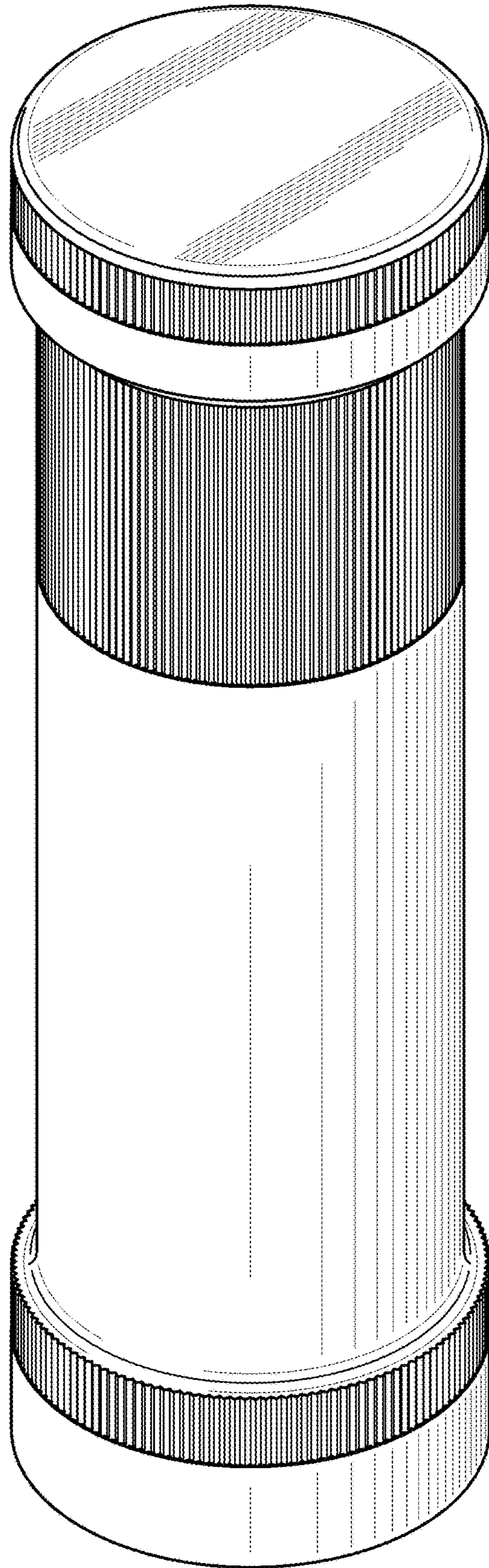


FIG. 1

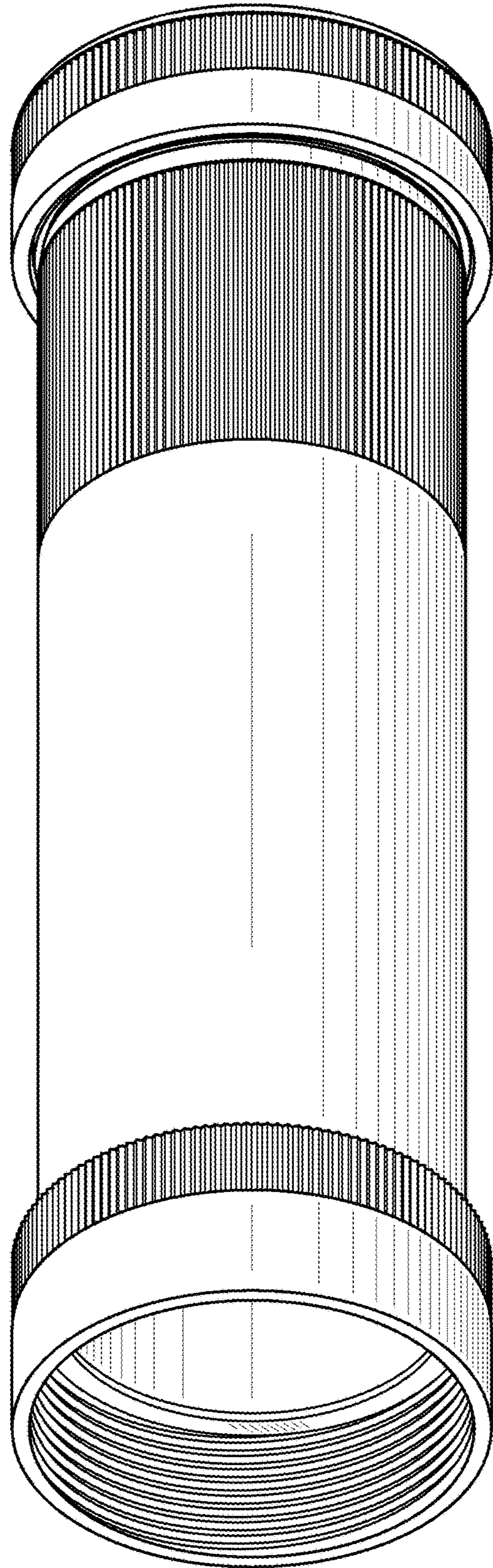


FIG. 2

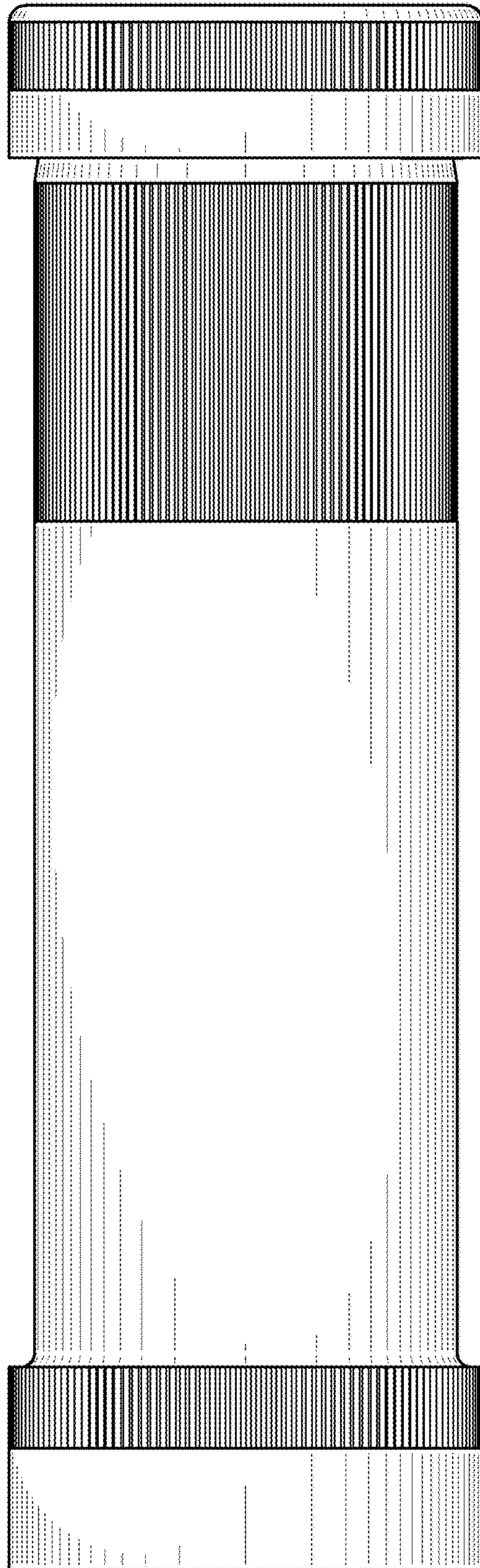


FIG. 3

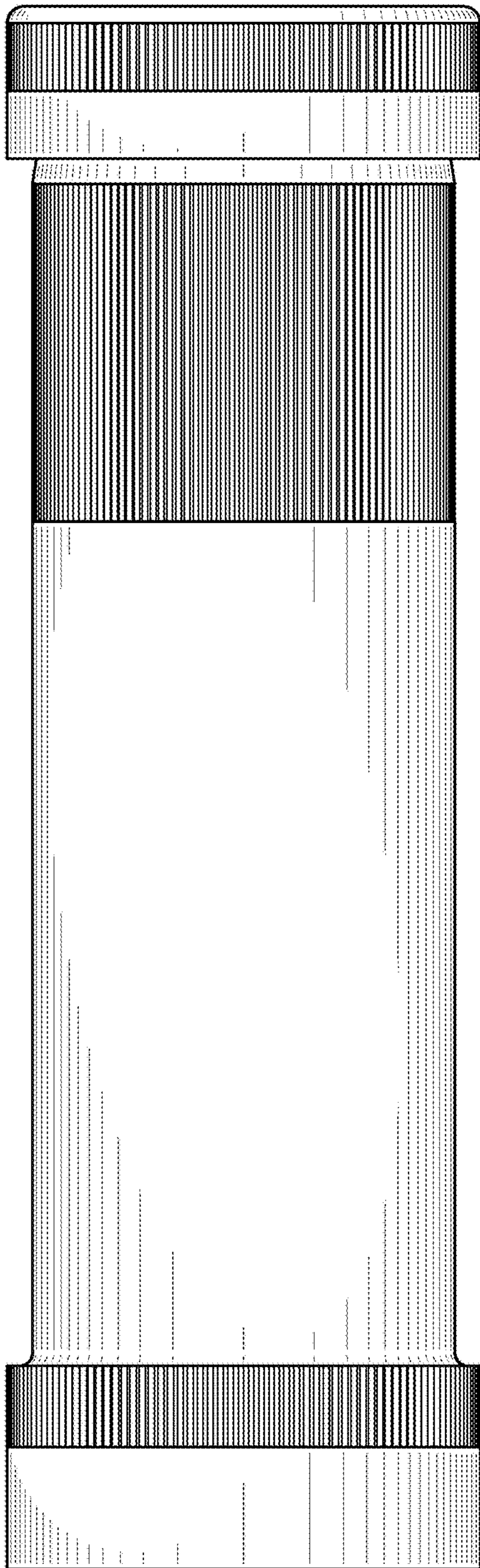


FIG. 4

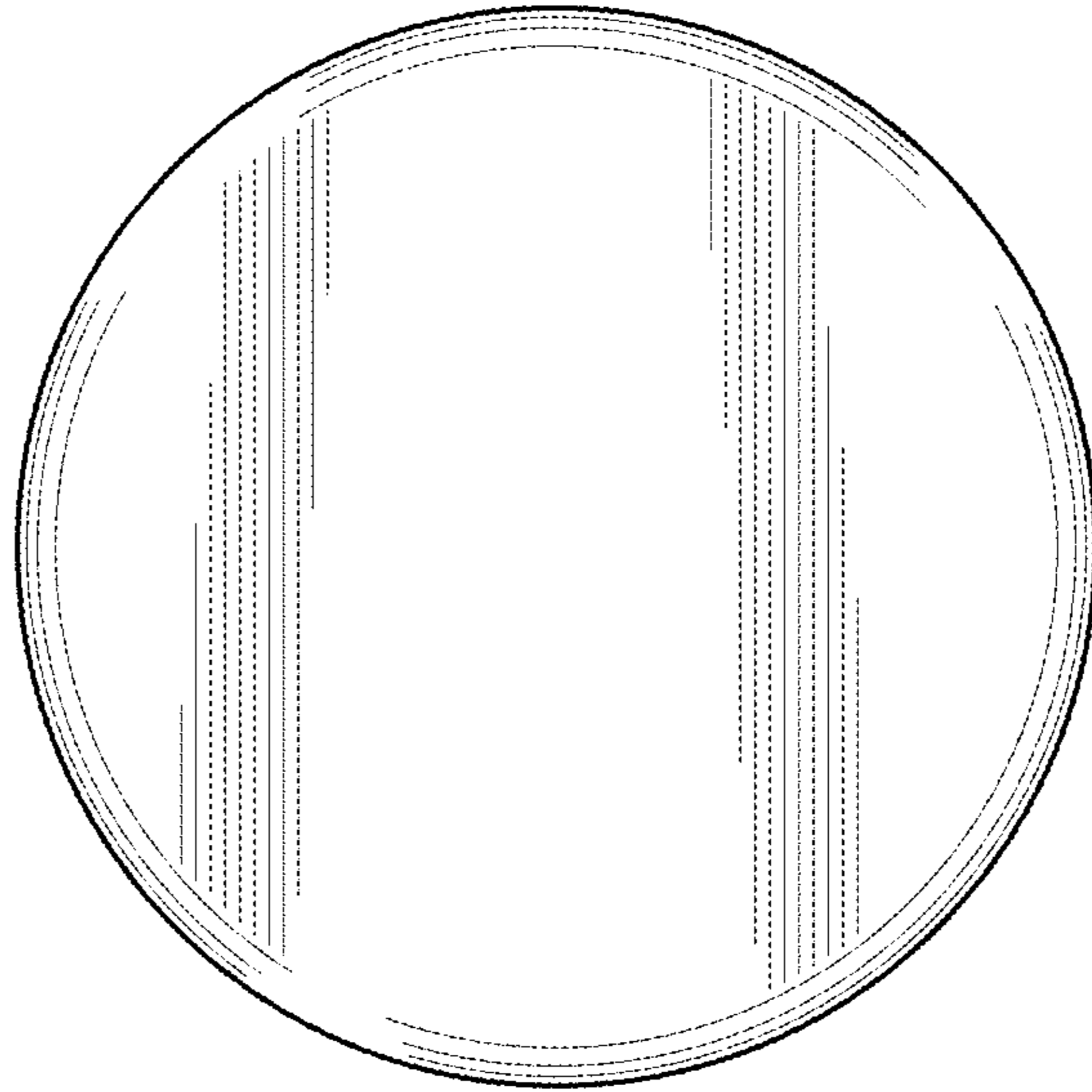


FIG. 5

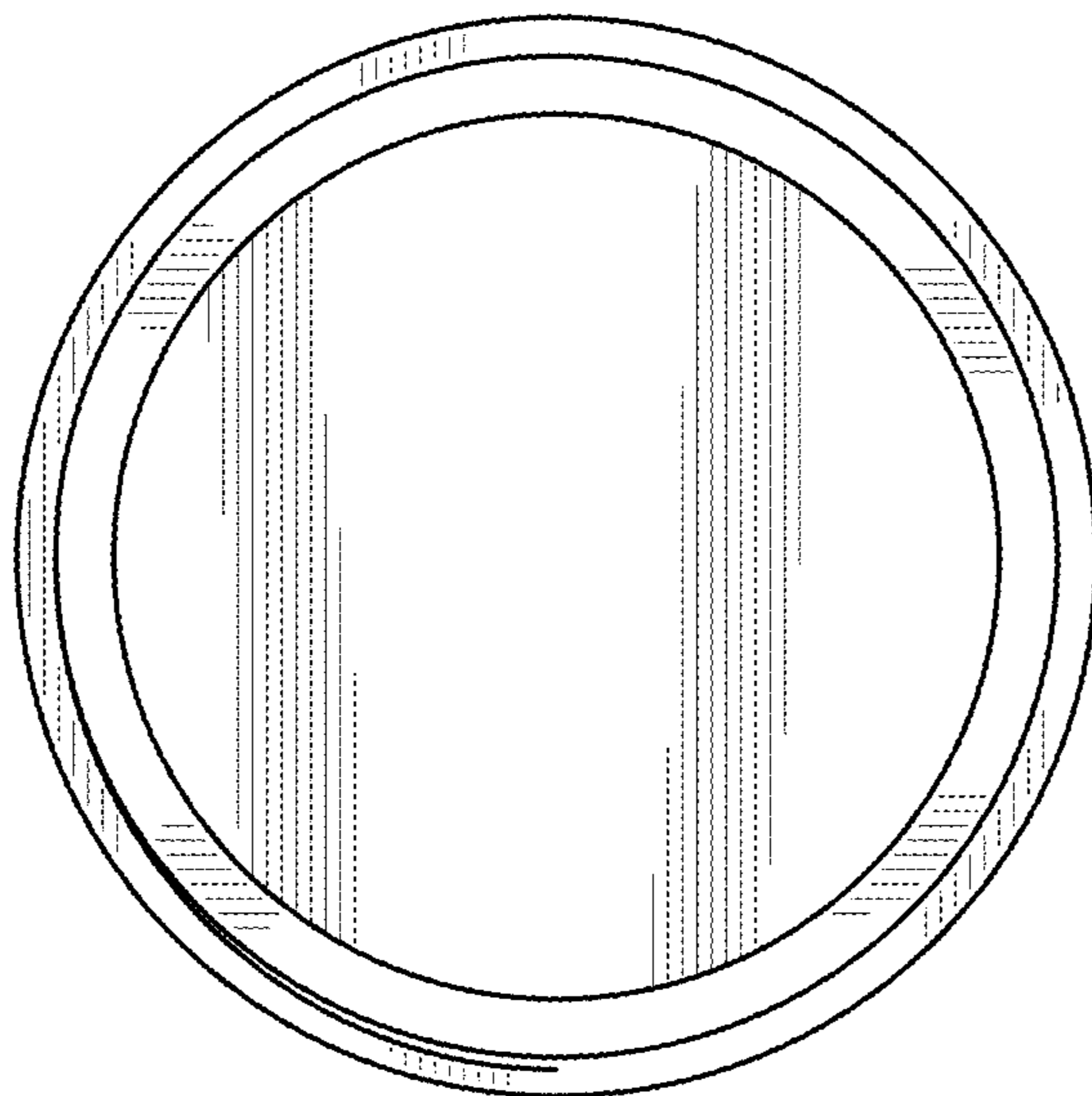


FIG. 6

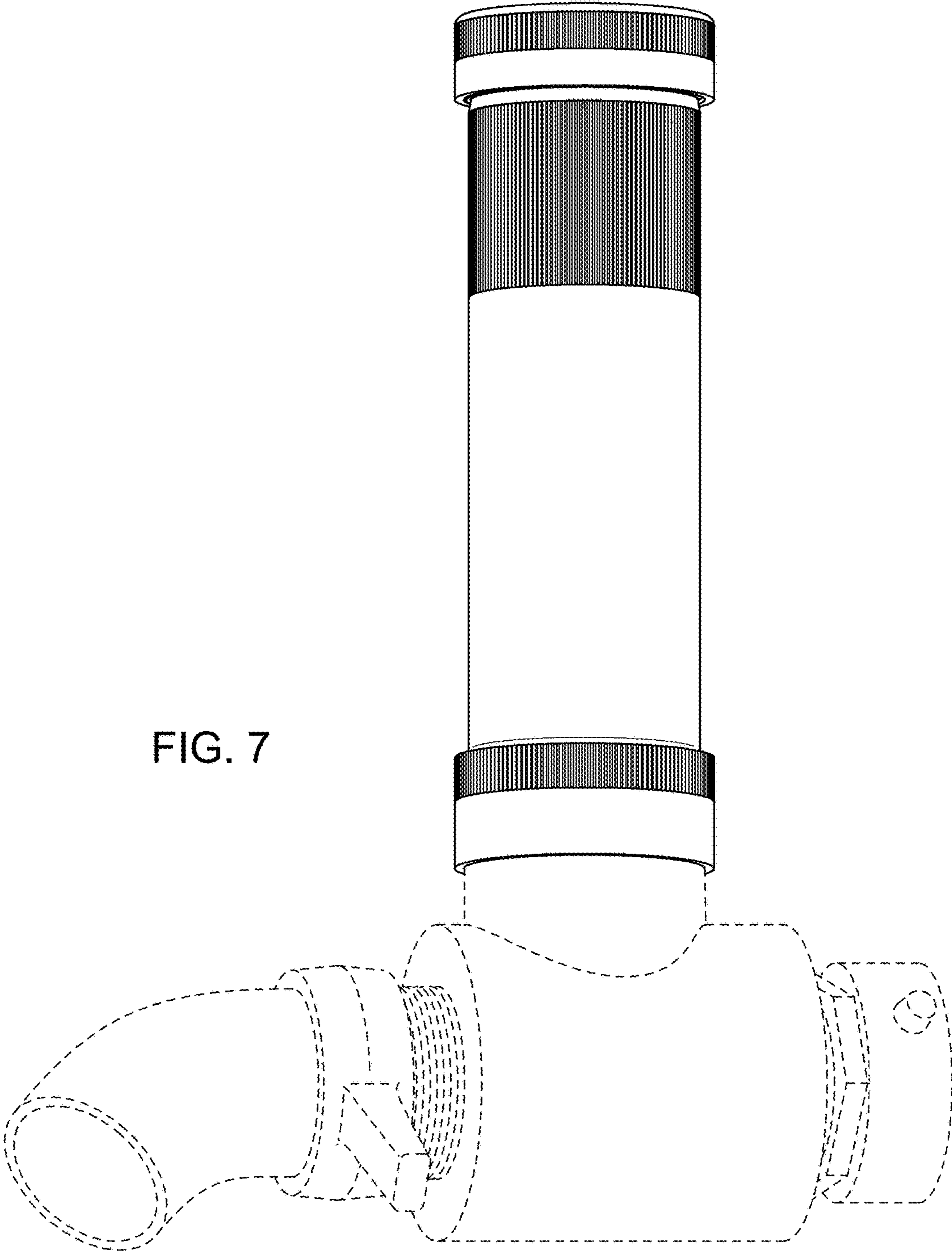


FIG. 7