



US00D800244S

(12) **United States Design Patent** (10) **Patent No.:** **US D800,244 S**
Burczynski et al. (45) **Date of Patent:** **** Oct. 17, 2017**

- (54) **FIREARM BULLET**
- (71) Applicant: **RA Brands, L.L.C.**, Madison, NC (US)
- (72) Inventors: **Thomas J. Burczynski**, Montour Falls, NY (US); **Nick T. Sachse**, Oak Ridge, NC (US)
- (73) Assignee: **RA Brands, L.L.C.**, Madison, NC (US)
- (**) Term: **15 Years**
- (21) Appl. No.: **29/527,732**
- (22) Filed: **May 21, 2015**

3,142,256 A 7/1964 Mack
 3,143,966 A 8/1964 Burns, Jr. et al.
 3,157,137 A 11/1964 Burns, Jr.
 (Continued)

FOREIGN PATENT DOCUMENTS

DE 705504 C 4/1931
 DE 648039 C 7/1937
 (Continued)

OTHER PUBLICATIONS

Don Roberts, At Last! Pressure Data for the .30-40 Krag, Handloader: The Journal of Ammunition Reloading, Jul.-Aug. 1976, pages cover, 4, 38-41, Issue 62, Wolfe Publishing.
 (Continued)

Related U.S. Application Data

- (60) Division of application No. 29/462,555, filed on Aug. 6, 2013, now Pat. No. Des. 733,252, which is a continuation-in-part of application No. 13/748,841, filed on Jan. 24, 2013, now Pat. No. 8,950,333, and a continuation-in-part of application No. 13/190,972, filed on Jul. 26, 2011, now Pat. No. 8,752,484.
- (51) **LOC (10) Cl.** **22-03**
- (52) **U.S. Cl.**
USPC **D22/115**
- (58) **Field of Classification Search**
USPC D22/115-116
CPC F42B 30/02; F42B 8/02; F42B 8/04; F42B 8/06; F42B 5/02; F42B 5/26; F42B 5/28; F42B 5/30; F42B 5/32; F42B 5/34; F42B 5/36; F42B 5/38
See application file for complete search history.

Primary Examiner — Michael A. Pratt
 (74) *Attorney, Agent, or Firm* — Womble Carlyle Sandridge & Rice, LLP

(57) **CLAIM**

The ornamental design for a firearm bullet, as shown and described.

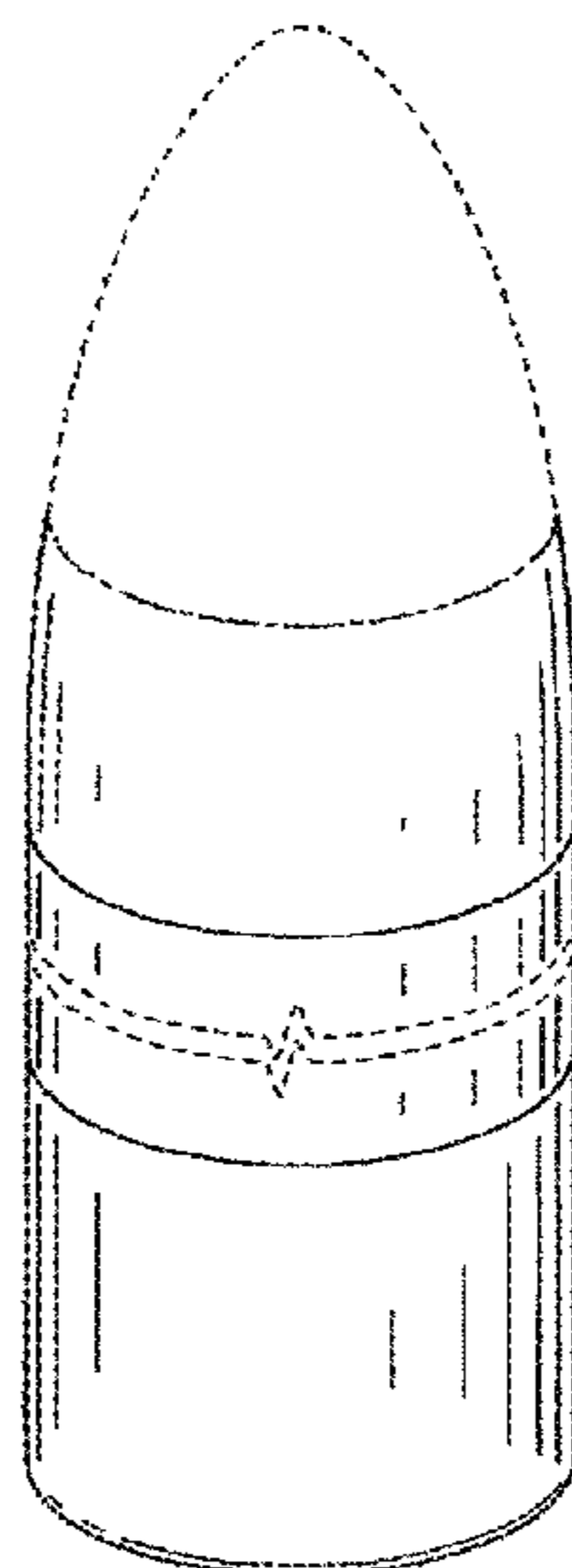
DESCRIPTION

FIG. 1 is a top perspective view of a bullet wherein a pair of substantially horizontal, closely adjacent broken lines is included for indicating that no particular length is being claimed;
 FIG. 2 is a bottom perspective view of the bullet of FIG. 1;
 FIG. 3 is a front elevation view of the bullet of FIG. 1;
 FIG. 4 is a top plan view of the bullet of FIG. 1;
 FIG. 5 is a bottom plan view of the bullet of FIG. 1; and,
 FIGS. 6-10 are respectively like FIGS 1-5 except that shading is not shown, and diagonal hatching designates the color black and horizontal hatching designates a color that is different from the color designated by the diagonal hatching.

1 Claim, 4 Drawing Sheets

(56) **References Cited**
U.S. PATENT DOCUMENTS

- 1,081,616 A 12/1913 Johnson
- 1,892,158 A 12/1932 Matthews
- 2,322,751 A 6/1943 Studler
- 2,696,130 A 12/1954 Peters



(56)

References Cited

U.S. PATENT DOCUMENTS

3,311,962 A 4/1967 Burns, Jr.
 3,349,711 A 10/1967 Darigo et al.
 3,881,421 A 5/1975 Burczynski
 4,044,679 A 8/1977 Pagano et al.
 4,108,073 A 8/1978 Davis
 4,336,756 A 6/1982 Schreiber
 4,352,225 A 10/1982 Schreiber
 4,517,897 A 5/1985 Kneubühl
 4,550,662 A 11/1985 Burczynski
 4,660,263 A 4/1987 Kosteck
 4,776,279 A 10/1988 Pejisa
 4,793,037 A 12/1988 Carter
 4,856,160 A 8/1989 Habbe et al.
 4,870,884 A 10/1989 Schubart et al.
 4,878,434 A 11/1989 Sommet
 4,947,755 A 8/1990 Burczynski
 5,131,123 A 7/1992 Brooks
 5,160,805 A 11/1992 Winter
 5,357,866 A 10/1994 Schluckebier et al.
 5,385,100 A 1/1995 Corzine et al.
 5,385,101 A 1/1995 Corzine et al.
 5,535,495 A 7/1996 Gutowski
 5,686,693 A 11/1997 Jakobsson
 D389,221 S 1/1998 Borg
 5,943,749 A 8/1999 Swank
 6,119,600 A 9/2000 Burri
 6,213,022 B1 4/2001 Pullum
 6,244,187 B1 6/2001 Head
 D447,208 S * 8/2001 Benini D22/116
 D447,209 S * 8/2001 Benini D22/116
 6,530,328 B2 3/2003 Burczynski
 6,600,126 B2 7/2003 Steinhoff et al.
 6,776,101 B1 8/2004 Pickard
 6,805,057 B2 10/2004 Carr
 6,973,879 B1 12/2005 McElroy et al.
 7,143,679 B2 12/2006 Yaich
 7,210,411 B2 5/2007 Booth et al.
 7,322,297 B2 1/2008 Yaich
 7,380,502 B2 6/2008 Emary
 7,503,260 B2 3/2009 Kapeles
 7,748,325 B2 7/2010 Marx
 D621,468 S 8/2010 Nilsson
 7,854,083 B1 12/2010 Aalto
 7,874,253 B2 1/2011 Marx
 7,891,298 B2 2/2011 Minick et al.
 7,908,780 B2 3/2011 Fitzpatrick et al.
 D646,179 S 10/2011 Jansen
 8,042,297 B2 10/2011 Emde
 8,061,255 B1 11/2011 Boberg
 8,117,967 B2 2/2012 Salvel
 8,161,885 B1 4/2012 Emary
 8,171,852 B1 5/2012 Rebar
 8,186,277 B1 5/2012 King
 D664,042 S 7/2012 Kurpis
 8,256,352 B2 9/2012 Masinelli
 8,397,641 B1 3/2013 Jackson
 8,448,575 B2 5/2013 Goddard
 8,511,233 B2 8/2013 Nilsson
 8,540,828 B2 * 9/2013 Busky C06B 39/00
 149/108.8
 8,640,589 B2 2/2014 Dryer et al.
 8,646,389 B2 2/2014 Masinelli
 8,752,484 B2 6/2014 Burczynski
 8,763,535 B2 7/2014 Padgett
 8,789,470 B2 7/2014 Frank
 8,950,333 B2 2/2015 Burczynski et al.
 D733,252 S * 6/2015 Burczynski D22/115
 D733,834 S * 7/2015 Burczynski D22/115
 D733,835 S * 7/2015 Burczynski D22/115
 D733,836 S * 7/2015 Burczynski D22/115

D733,837 S * 7/2015 Burczynski D22/115
 D734,419 S * 7/2015 Burczynski D22/115
 D735,289 S * 7/2015 Burczynski D22/115
 D751,166 S * 3/2016 Seecamp D22/116
 D753,259 S * 4/2016 Masinelli D22/116
 2005/0183617 A1 8/2005 MacDougall
 2006/0027128 A1 2/2006 Hober
 2006/0027132 A1 2/2006 Libra
 2007/0089629 A1 4/2007 Marx
 2007/0204758 A1 9/2007 Spatz et al.
 2008/0035008 A1 2/2008 Riess et al.
 2009/0288572 A1 11/2009 Sauvestre
 2010/0224093 A1 9/2010 Wilhelm et al.
 2010/0263565 A1 10/2010 Hugus, IV et al.
 2011/0088537 A1 4/2011 Eberhart
 2011/0179965 A1 7/2011 Mason
 2011/0252997 A1 10/2011 Hoffman
 2012/0124879 A1 5/2012 Larue
 2012/0227615 A1 9/2012 Beal
 2013/0014664 A1 1/2013 Padgett
 2013/0014668 A1 1/2013 Emary
 2013/0025490 A1 1/2013 Burczynski
 2013/0086834 A1 4/2013 Battaglia
 2013/0305950 A1 11/2013 Coffman, II
 2014/0261044 A1 9/2014 Seecamp
 2014/0311372 A1 10/2014 Burczynski et al.
 2014/0331885 A1 11/2014 Burczynski

FOREIGN PATENT DOCUMENTS

DE 743914 C 1/1942
 DE 1072515 12/1959
 DE 2064553 A1 7/1972
 EP 0225532 A1 6/1987
 EP 0918208 A1 5/1999
 GB 191300326 A 0/1914
 WO WO 2013/016330 1/2013
 WO WO 2014/116950 7/2014
 WO WO 2014/186007 11/2014

OTHER PUBLICATIONS

George C. Lambert, letter to Mr. C. V. Bracher regarding "Belted Bullet", Mar. 4, 1936, 1 pages, Peters Cartridge Division of Remington Arms Co., Inc., Bridgeport, CT.
 International Search Report for PCT/US2012/047966 dated Oct. 16, 2012.
 Maj. George Nonte, Tip to Tip, Handloader: The Journal of Ammunition Reloading, Jul.-Aug. 1976 pages cover, 4, 12-13, Issue 62, Wolfe Publishing Company, Inc., Prescott.
 Photograph of .30 U.S. Govt. 1906—180 GRA . . . ; Scientific Bullet Designs Ins . . . Superfine Accuracy; and Heavy Jacket Re-Inforced by Belt.
 Sharpe, Philp Burdette, "Complete Guide to Handloading", pp. 41-43, third edition, Wolfe Pub Co.; 1988.
 Written Opinion for PCT/US2012/047966 dated Oct. 16, 2012.
 International Search Report dated Apr. 17, 2014 for International Application No. PCT/US2014/012952 filed Jan. 24, 2014.
 Written Opinion dated Apr. 17, 2014 for International Application No. PCT/US2014/012952 filed Jan. 24, 2014.
 International Search Report dated Oct. 7, 2014 for PCT/US2014/015672 filed Feb. 11, 2014.
 Written Opinion dated Oct. 7, 2014 for PCT/US2014/015672 filed Feb. 11, 2014.
 Notice of Allowance for U.S. Appl. No. 13/748,841 dated Oct. 2, 2014.
 Non-final Office Action for U.S. Appl. No. 14/303,908 dated Mar. 23, 2015.

* cited by examiner

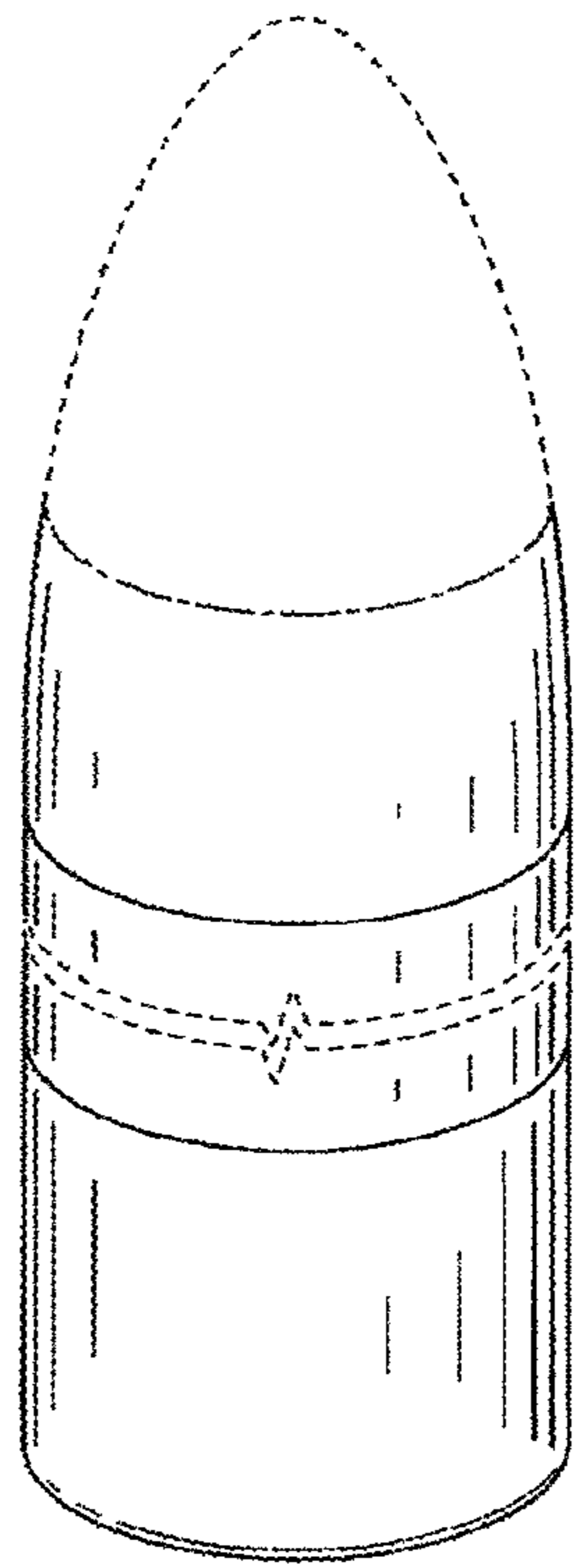


FIG. 1

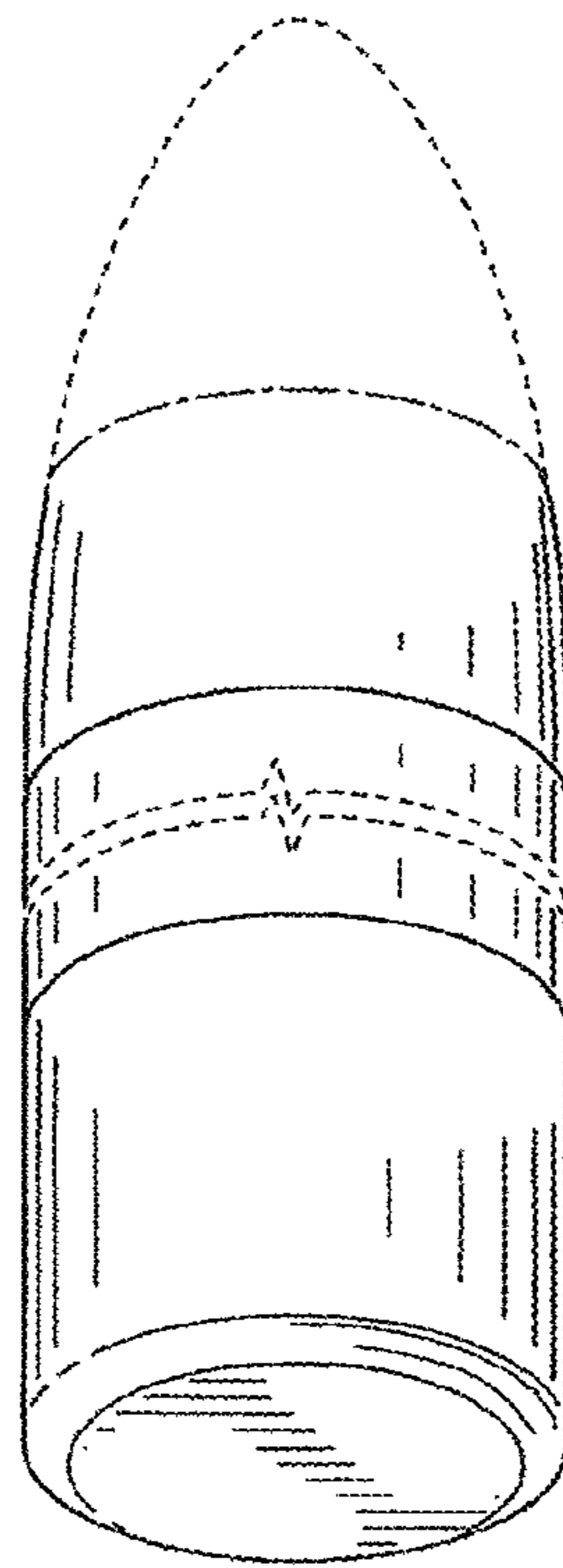


FIG. 2

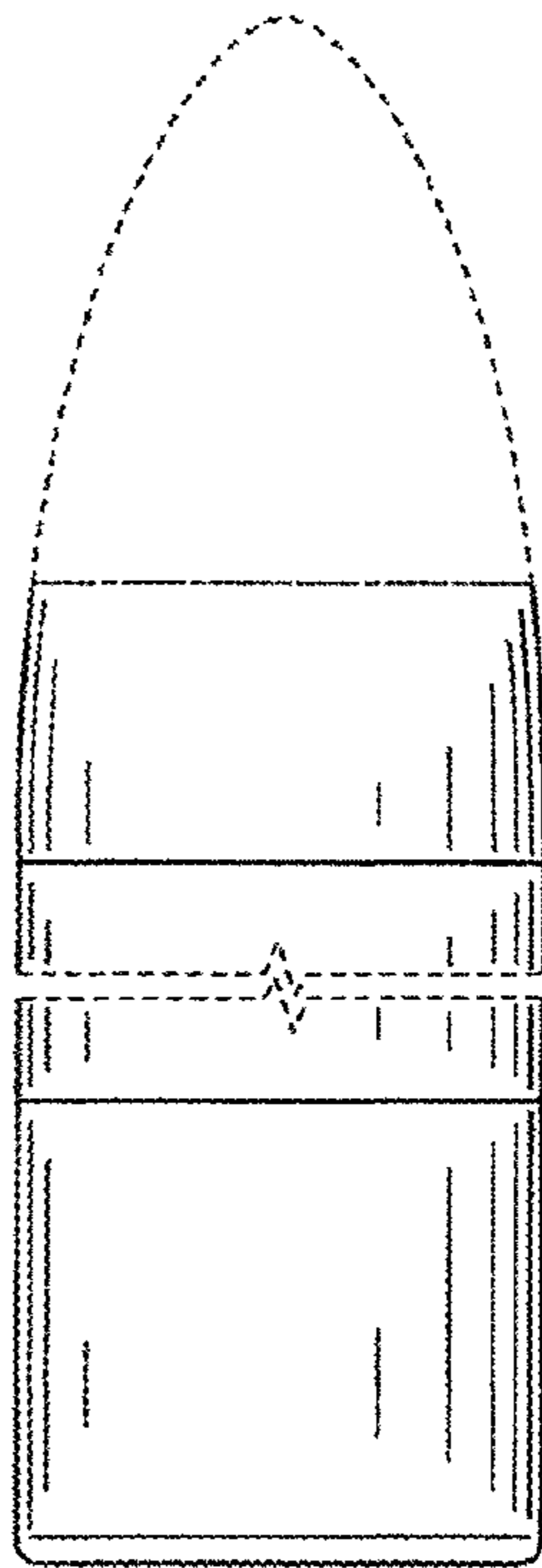


FIG. 3

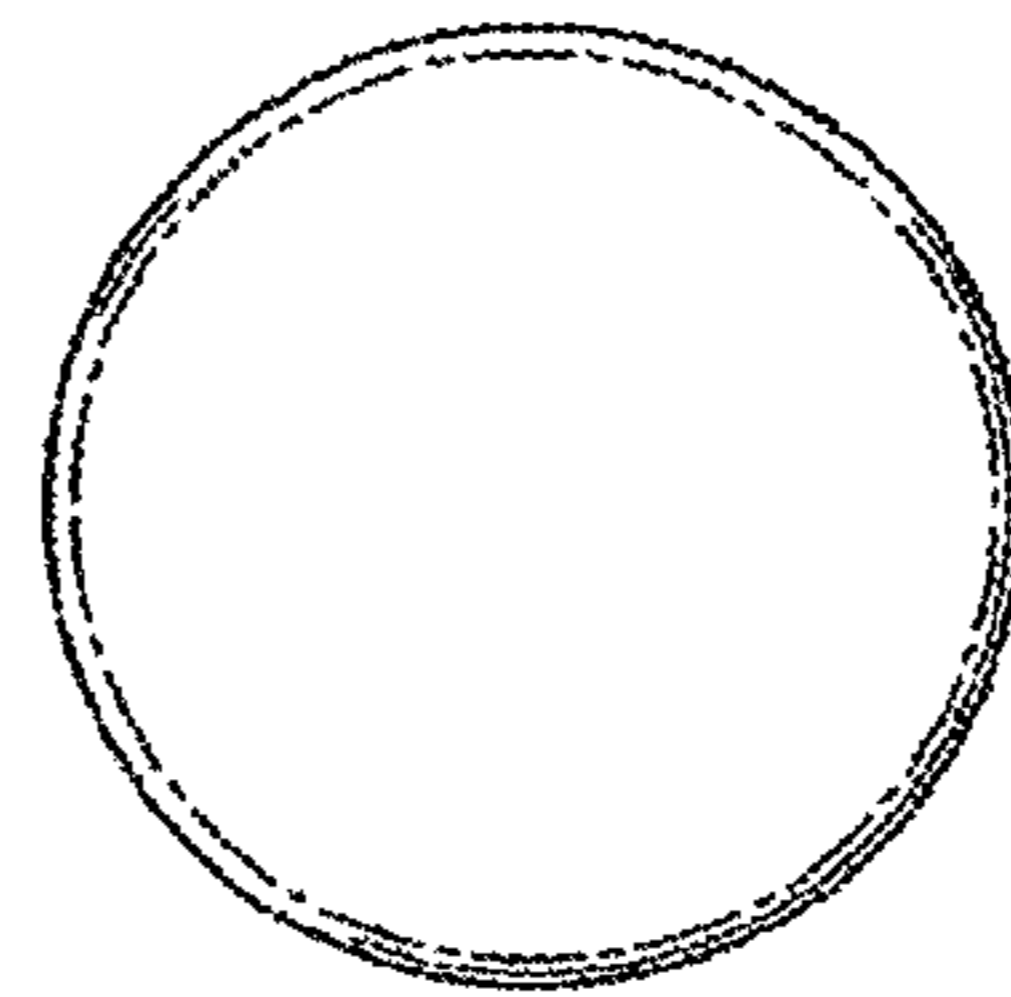


FIG. 4

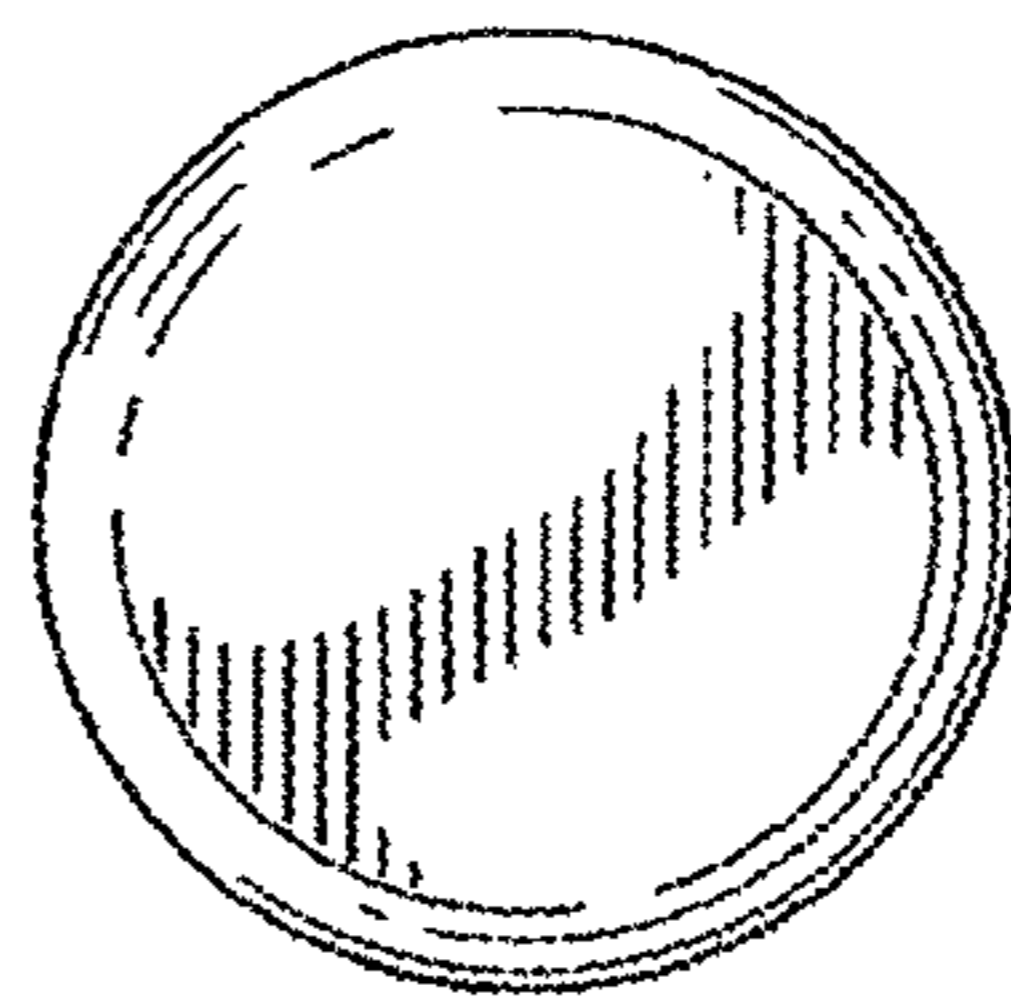


FIG. 5

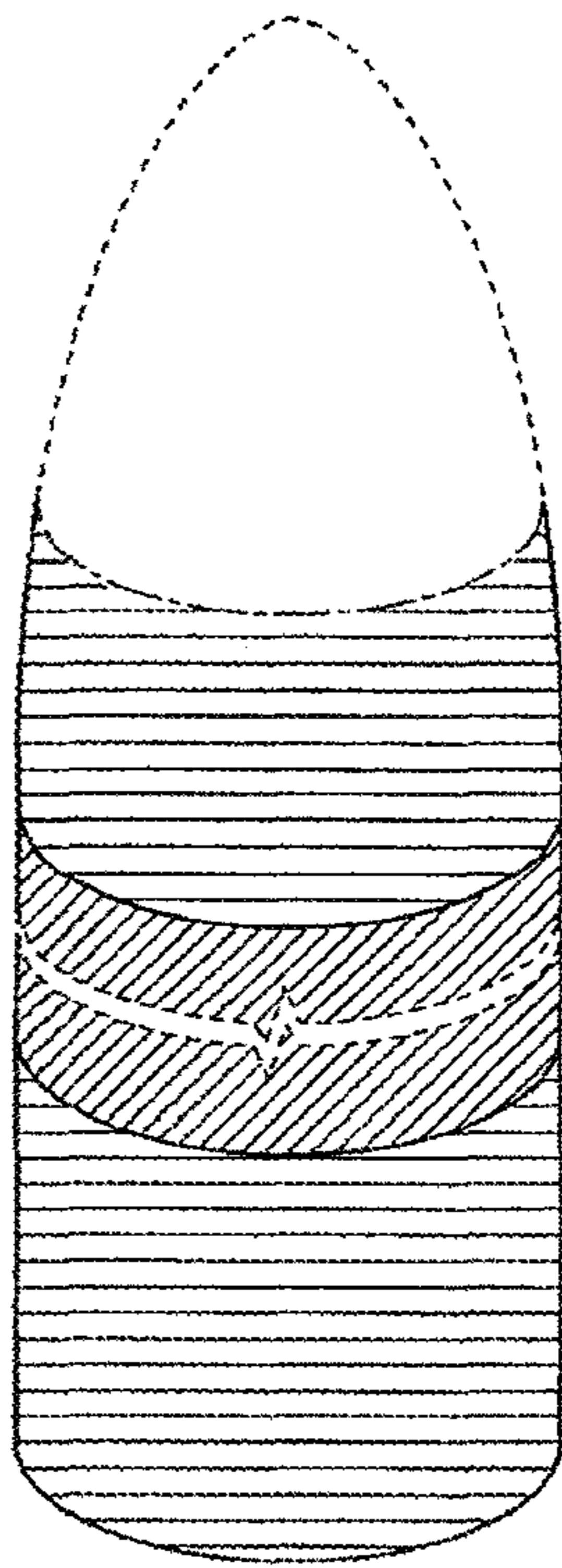


FIG. 6

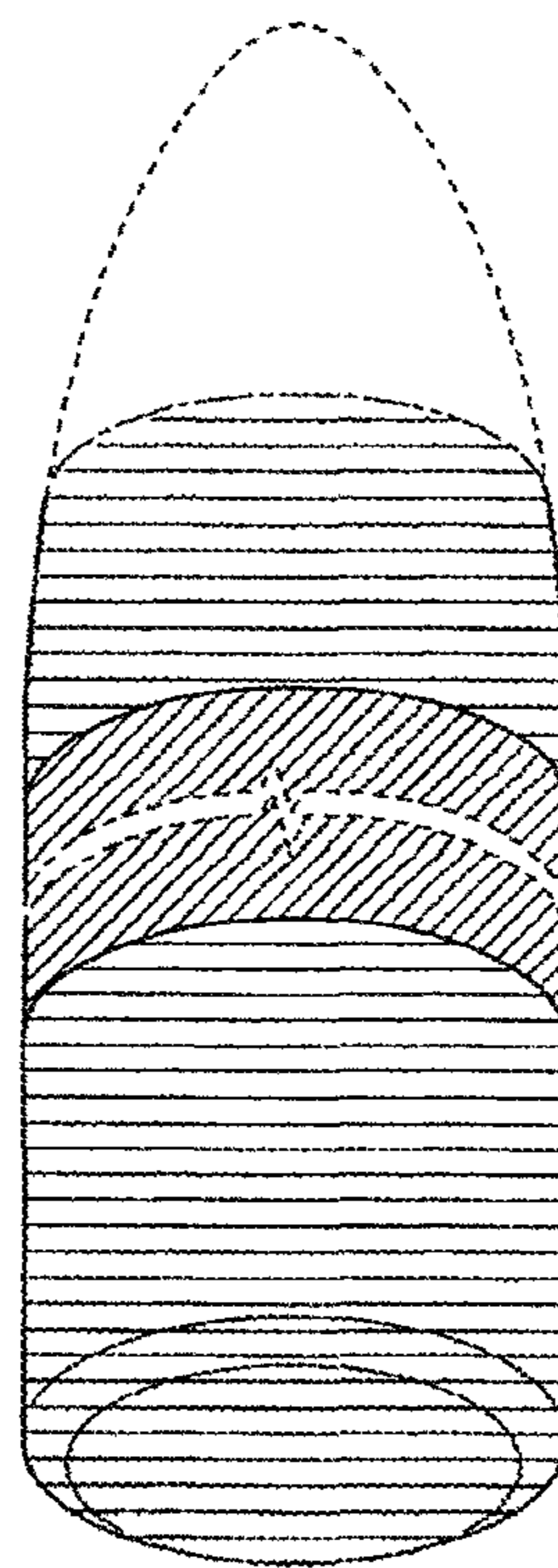


FIG. 7

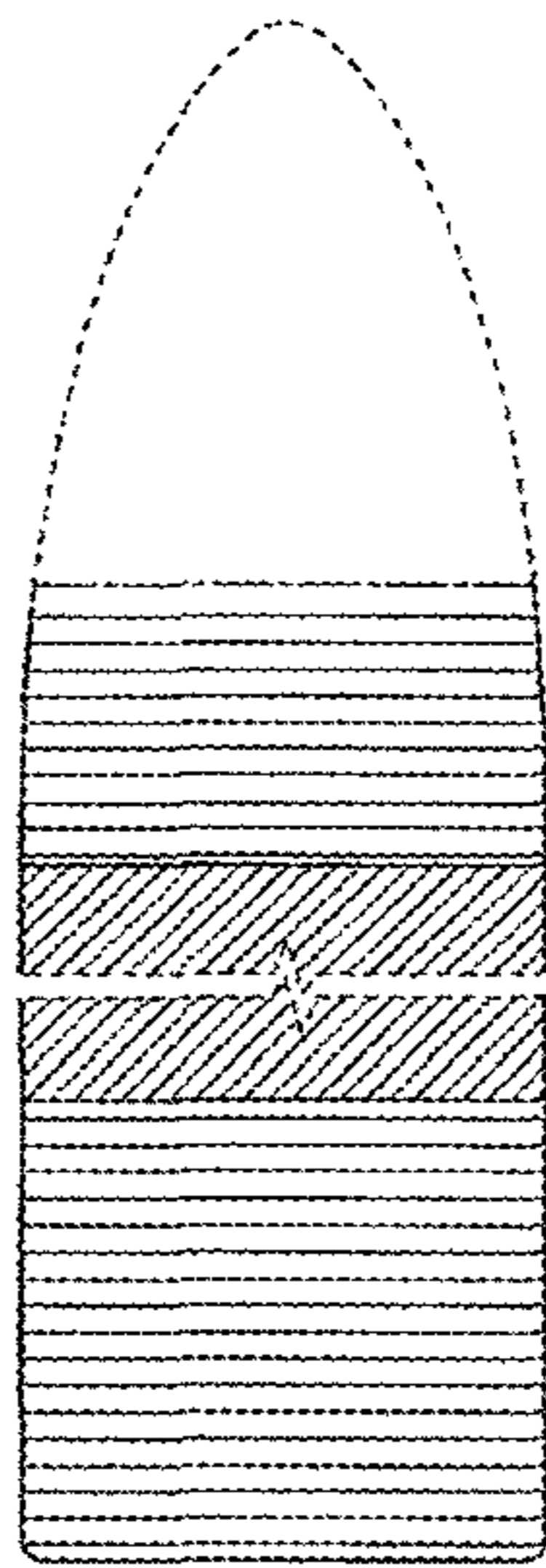


FIG. 8

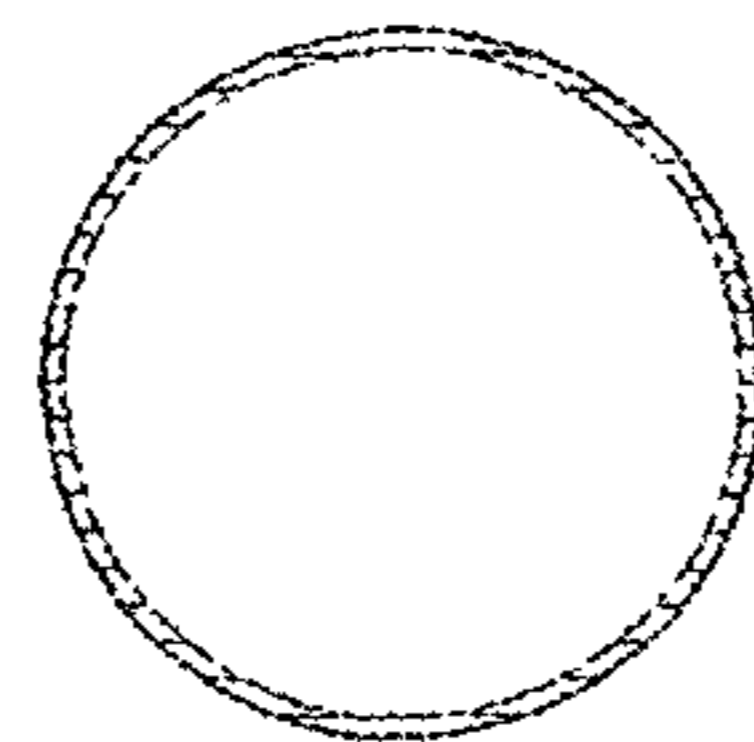


FIG. 9

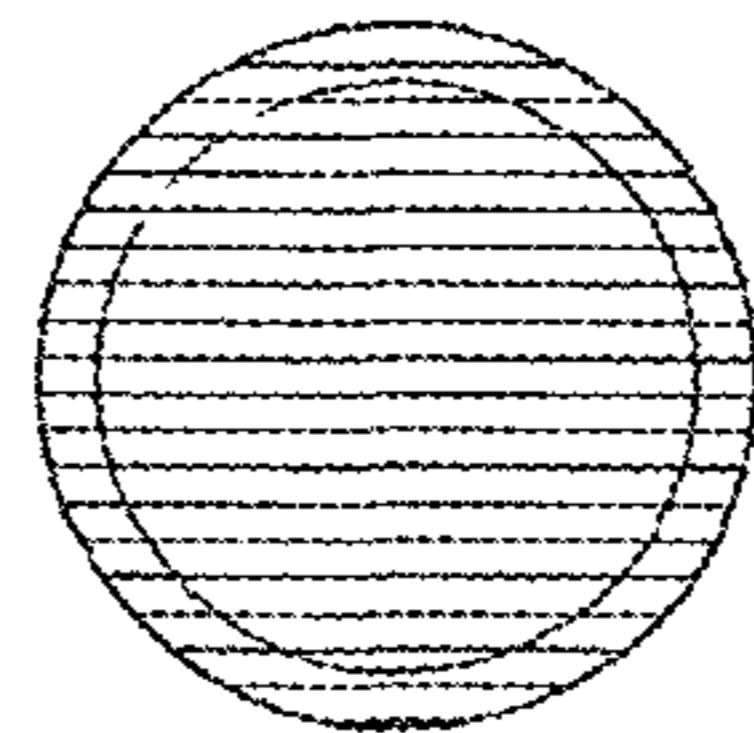


FIG. 10