



US00D800243S

(12) **United States Design Patent**  
**Niswander**

(10) **Patent No.: US D800,243 S**

(45) **Date of Patent: \*\* Oct. 17, 2017**

(54) **FIREARM SLIDE**

D387,842 S 12/1997 Kaminski et al.  
5,717,156 A 2/1998 Lenkarski  
5,753,848 A 5/1998 Kart

(71) Applicant: **Agency Arms, LLC**, Camarillo, CA  
(US)

(Continued)

(72) Inventor: **Randy Paul Niswander**, Oxnard, CA  
(US)

**OTHER PUBLICATIONS**

(73) Assignee: **AGENCY ARMS, LLC**, Camarillo,  
CA (US)

The Agency Slide, AgencyArms.com, [online], [site visited Jun. 12, 2017]. URL: <http://www.agencyarms.com/the-agency-slide>.\*

(Continued)

(\*\*) Term: **15 Years**

*Primary Examiner* — T. Chase Nelson

*Assistant Examiner* — Jonathan J. Han

(21) Appl. No.: **29/585,419**

(74) *Attorney, Agent, or Firm* — Eversheds Sutherland  
(US) LLP

(22) Filed: **Nov. 23, 2016**

(57) **CLAIM**

The ornamental design for a firearm slide, as shown and described.

**Related U.S. Application Data**

(63) Continuation of application No. 29/549,528, filed on Dec. 22, 2015, now Pat. No. Des. 777,871.

**DESCRIPTION**

(51) **LOC (10) Cl.** ..... **22-01**

(52) **U.S. Cl.**

USPC ..... **D22/108**

(58) **Field of Classification Search**

USPC ..... D22/104, 108; D21/571–575

CPC ..... F41C 3/14; F41C 3/16; F41C 3/04

See application file for complete search history.

FIG. 1 is a perspective view of a first embodiment of a firearm slide according to an embodiment of the disclosure; FIG. 2 is a perspective view thereof; FIG. 3 is a top view thereof; FIG. 4 is a bottom view thereof; FIG. 5 is a side view thereof; FIG. 6 is a side view thereof; FIG. 7 is a front view thereof; FIG. 8 is a rear view thereof; FIG. 9 is a perspective view of a second embodiment of a firearm slide according to an embodiment of the disclosure; FIG. 10 is a perspective view thereof; FIG. 11 is a top view thereof; FIG. 12 is a bottom view thereof; FIG. 13 is a side view thereof; FIG. 14 is a side view thereof; FIG. 15 is a front view thereof; and, FIG. 16 is a rear view thereof.

(56) **References Cited**

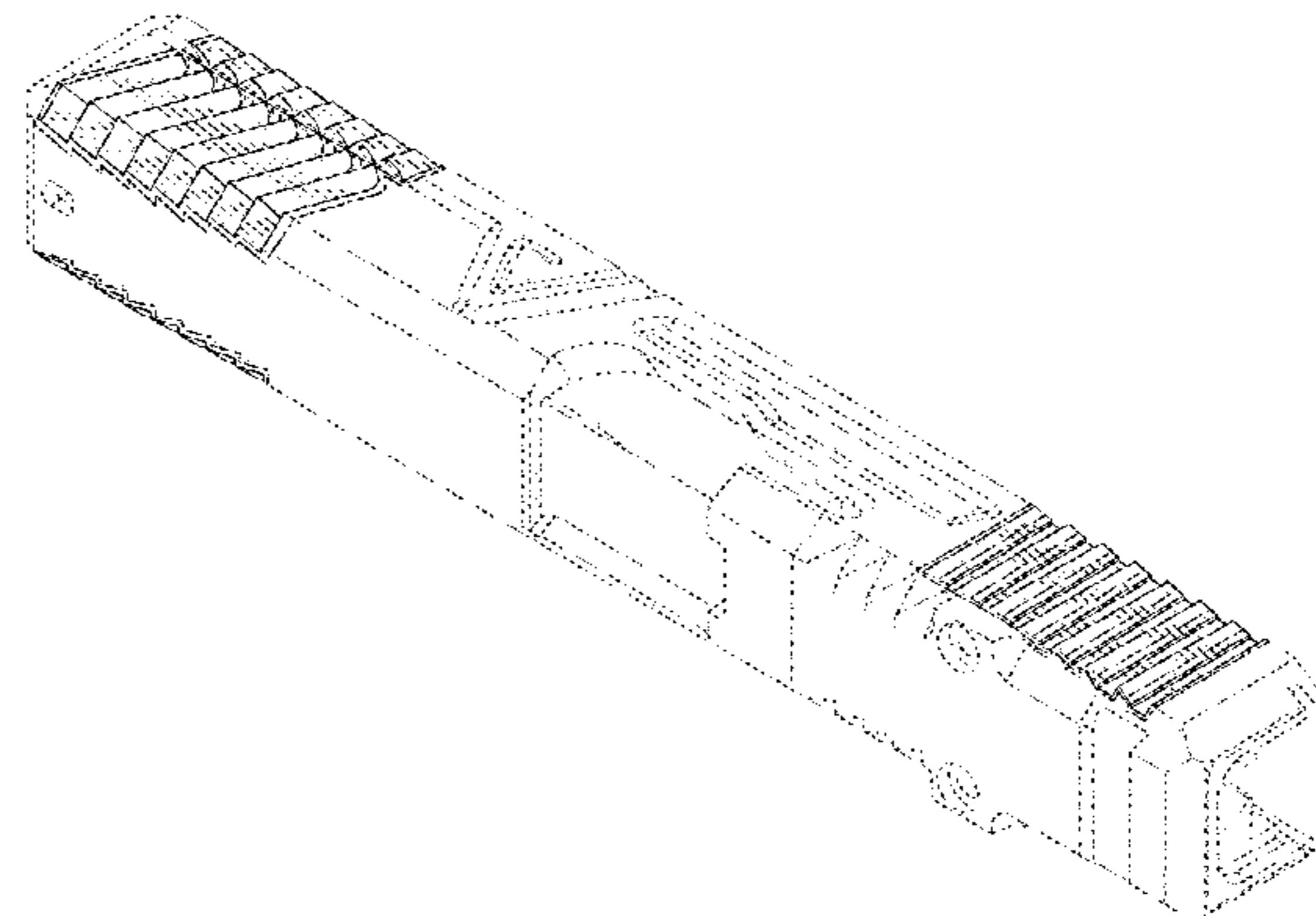
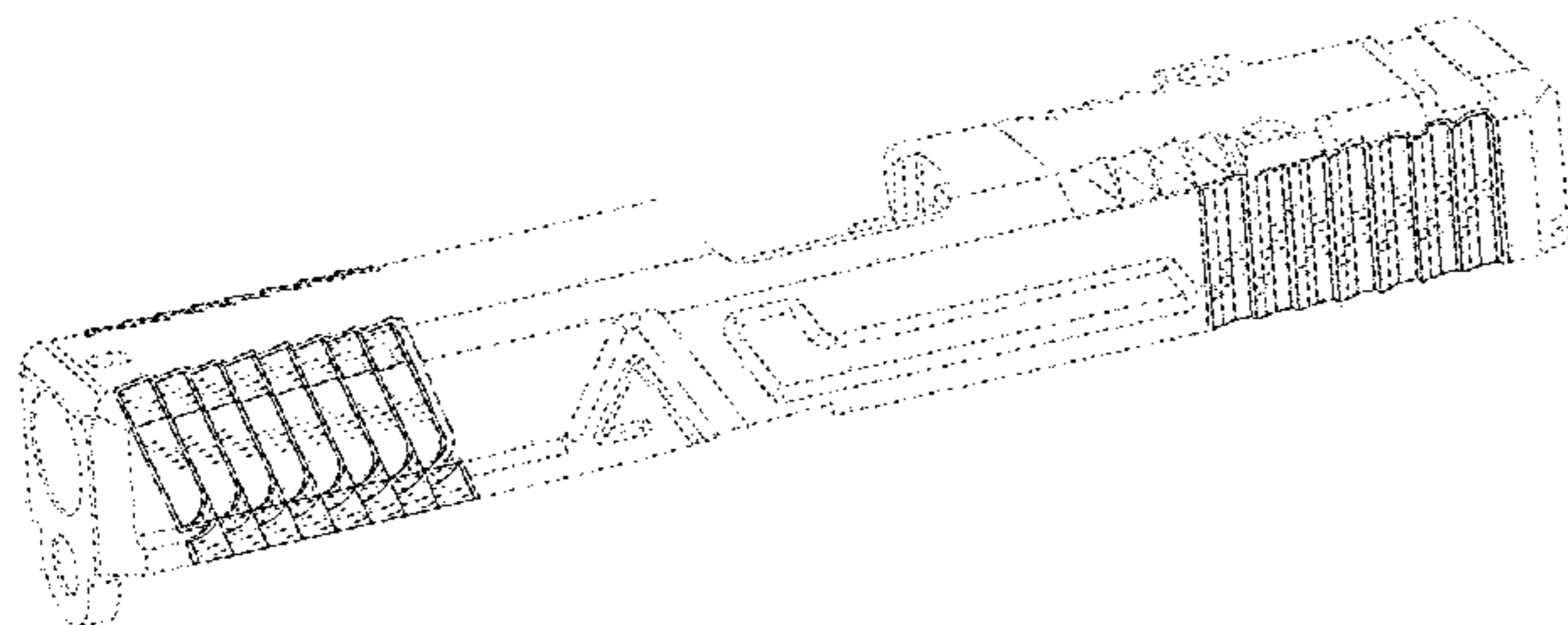
**U.S. PATENT DOCUMENTS**

D292,112 S 9/1987 Ruger et al.  
5,404,667 A \* 4/1995 Schmitter ..... F41G 1/02  
42/111

D359,098 S 6/1995 Stevens  
D363,334 S \* 10/1995 De Oliveira Masina .... D22/109  
D376,831 S 12/1996 Resuggan  
D377,513 S \* 1/1997 Lenkarski ..... D22/100  
5,625,971 A \* 5/1997 Tuma ..... F41A 17/24  
42/70.01

D387,841 S 12/1997 Hochstrate et al.

**1 Claim, 10 Drawing Sheets**



(56)

References Cited

U.S. PATENT DOCUMENTS

6,401,379 B1 *	6/2002	Moon	.....	F41A 3/66 42/71.01
D503,208 S	3/2005	Krieger		
D505,475 S *	5/2005	Salva	.....	D22/104
6,964,123 B2	11/2005	Vicale		
6,993,864 B1	2/2006	O'Clair et al.		
D516,661 S *	3/2006	McGarry	.....	D22/104
D518,056 S	3/2006	Ma et al.		
7,216,450 B2 *	5/2007	Pikielny	.....	F41A 3/66 42/7
D559,337 S	1/2008	Wang		
D579,072 S *	10/2008	McGarry	.....	D22/104
D583,896 S	12/2008	McGarry		
D584,374 S	1/2009	McGarry		
7,506,469 B2	3/2009	Poulin et al.		
7,526,890 B1	5/2009	Keng et al.		
D593,622 S	6/2009	Halmone		
D593,623 S	6/2009	Halmone		
D593,629 S	6/2009	Bantle et al.		
D597,625 S *	8/2009	Pflaumer	.....	D22/104
D598,065 S	8/2009	Vukovic et al.		
D599,430 S	9/2009	Siddle et al.		
D627,028 S	11/2010	Coulombier		
D654,978 S	2/2012	Karanian et al.		
8,127,481 B2	3/2012	Rozum et al.		
8,132,352 B2	3/2012	Lippard		
D661,766 S	6/2012	Siddle et al.		
D671,610 S	11/2012	Nebeker et al.		
8,333,142 B1 *	12/2012	Karfiol	.....	F41A 3/54 89/196
D676,094 S	2/2013	Hu		
D681,131 S	4/2013	Su		
8,453,555 B1	6/2013	Karfiol et al.		
D687,117 S	7/2013	Yigit		
D687,506 S *	8/2013	Yigit	.....	D22/104
D688,764 S *	8/2013	Yigit	.....	D22/104
D690,374 S	9/2013	Lee		
8,528,243 B1	9/2013	Glock		
D692,513 S *	10/2013	Yigit	.....	D22/104
D702,308 S	4/2014	Glock		
D708,692 S *	7/2014	Sutcu	.....	D22/104
D728,722 S	5/2015	Peterson et al.		
D729,895 S	5/2015	Porat et al.		
D732,629 S	6/2015	Wolf		
D742,985 S	11/2015	Hudson, III et al.		
D744,049 S	11/2015	Chu		
D754,802 S	4/2016	Martelli et al.		
D755,324 S	5/2016	Martelli et al.		
D755,907 S	5/2016	Hu		
9,328,993 B1	5/2016	Heacock		
D758,519 S	6/2016	Toner et al.		
D777,871 S *	1/2017	Niswander	.....	D22/108
D777,872 S *	1/2017	Wolf	.....	D22/108
D784,479 S *	4/2017	Niswander	.....	D22/108
2004/0200466 A1	10/2004	Salva		
2011/0120437 A1	5/2011	Tippmann, Jr. et al.		
2012/0198744 A1	8/2012	Meller et al.		
2012/0317856 A1	12/2012	Burke et al.		
2013/0108991 A1	5/2013	Walls		
2013/0145669 A1 *	6/2013	Zonshine	.....	F41A 21/10 42/75.02
2014/0196337 A1 *	7/2014	Bandini	.....	F41A 3/44 42/16
2014/0338522 A1	11/2014	Bellione		
2015/0121734 A1	5/2015	Kresser		
2015/0226508 A1	8/2015	Hughes et al.		
2015/0276334 A1 *	10/2015	Pflaumer	.....	F41A 3/62 89/191.01
2016/0047613 A1	2/2016	Hudson, III et al.		
2016/0320154 A1 *	11/2016	Krieger	.....	F41A 17/64
2017/0003093 A1 *	1/2017	Spinner	.....	F41A 17/64
2017/0045319 A1 *	2/2017	Ramey	.....	F41A 3/66
2017/0153081 A1 *	6/2017	Hu	.....	F41B 11/642

OTHER PUBLICATIONS

Agency Arms: Form Equals Function—Part 1, GunsAndTactics.com, Posted by Chris Tran, Aug. 20, 2015, [online], [site visited Jun. 12, 2017]. URL: <http://www.gunsandtactics.com/agency-arms-form-equals-function-part-i>.\*

Agency Arms Glock 19 Review: Let the Hate Begin, YouTube.com, Colion Noir, Published on Apr. 5, 2017, [online], [site visited Jun. 12, 2017]. URL: <https://www.youtube.com/watch?v=Cmd-ENo0V30>.\*

Shot Show 2016 Modified Glock Roundup, TheTruthAboutGuns.com, Jeremy S., Jan. 29, 2016, [online], [site visited Jun. 12, 2017]. URL: <http://www.thetruthaboutguns.com/2016/01/jeremy-s/modified-glock-roundup/>.\*

\* cited by examiner

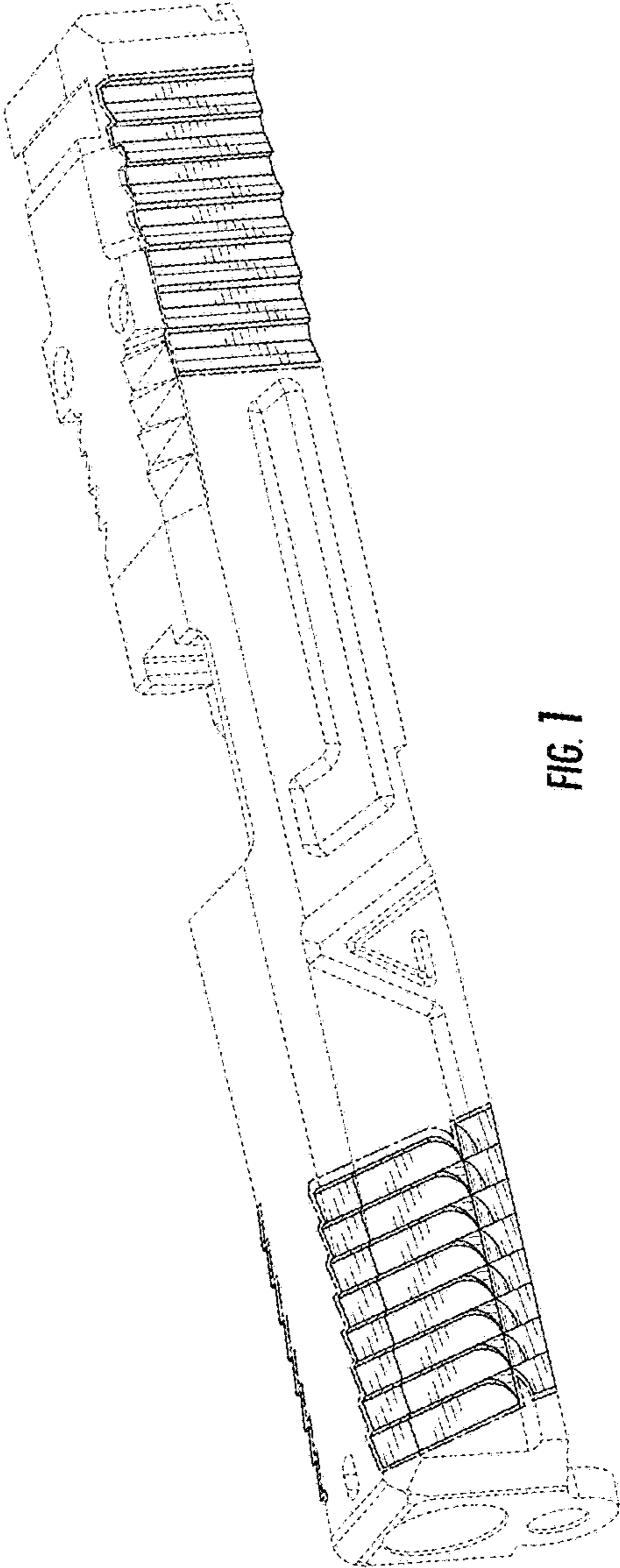


FIG. 1

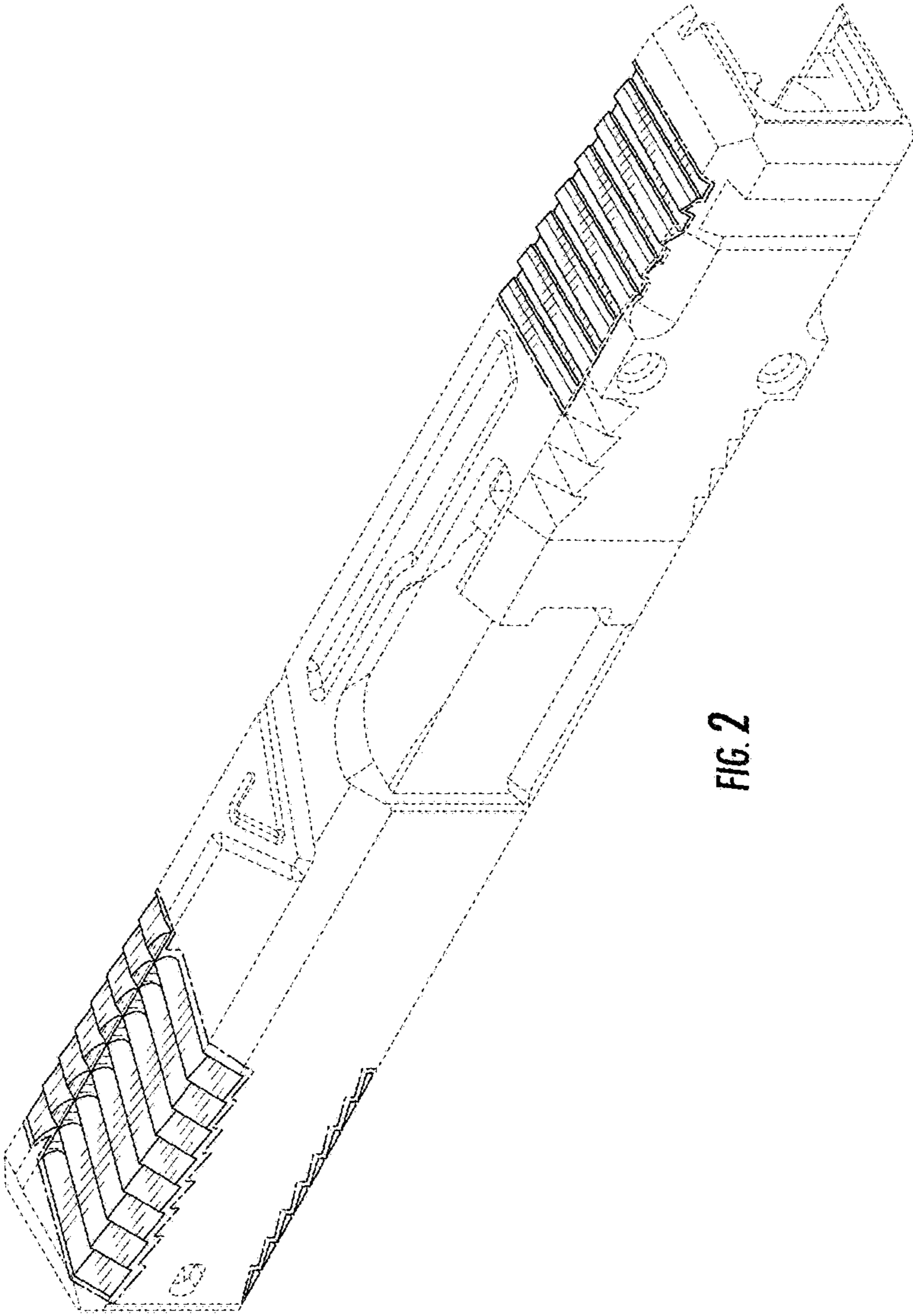


FIG. 2

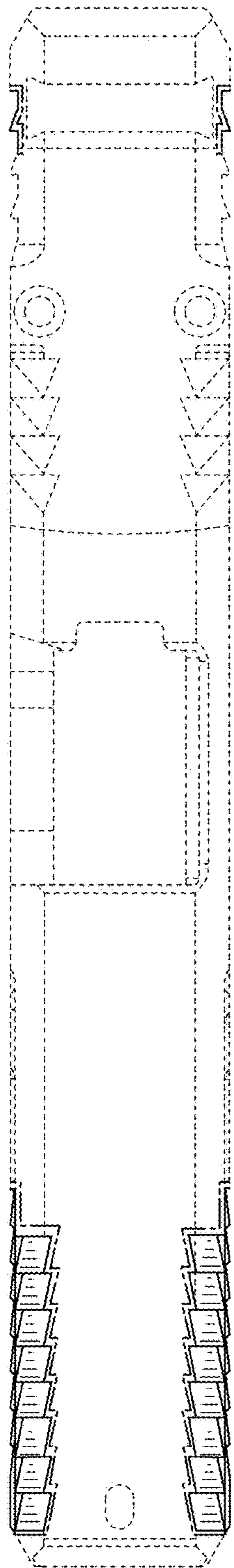


FIG. 3

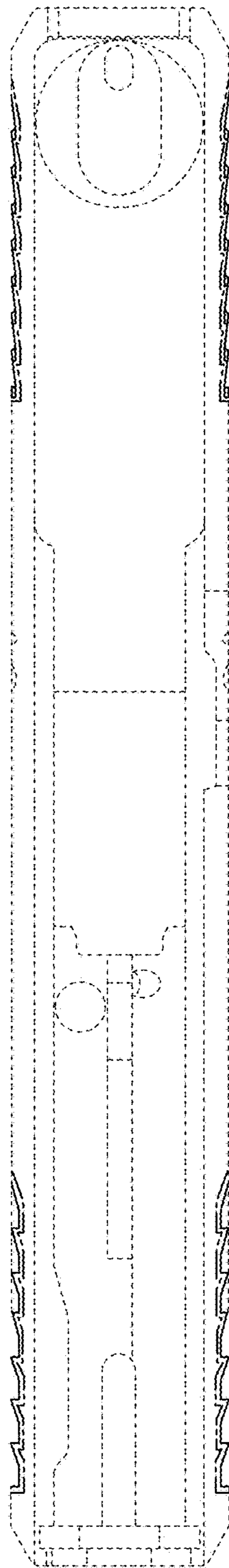


FIG. 4

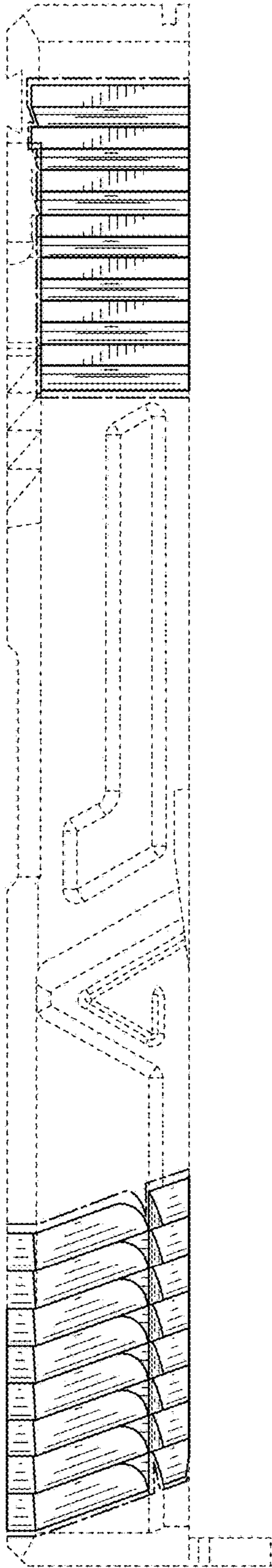


FIG. 5

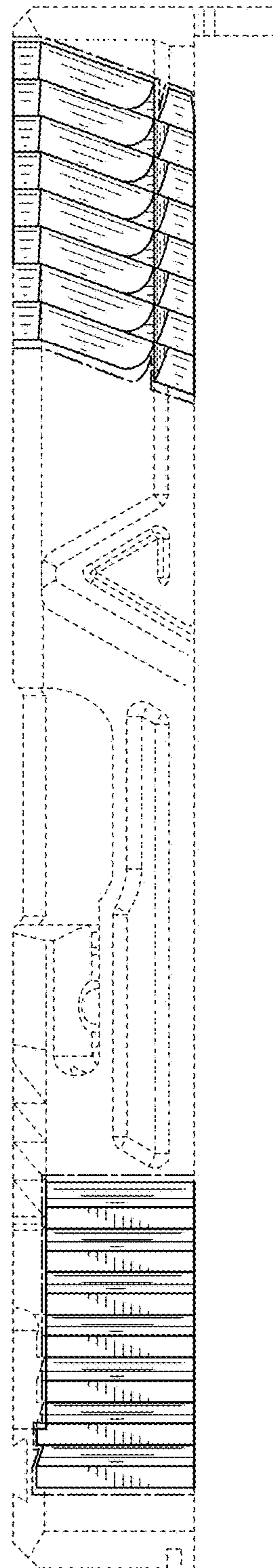
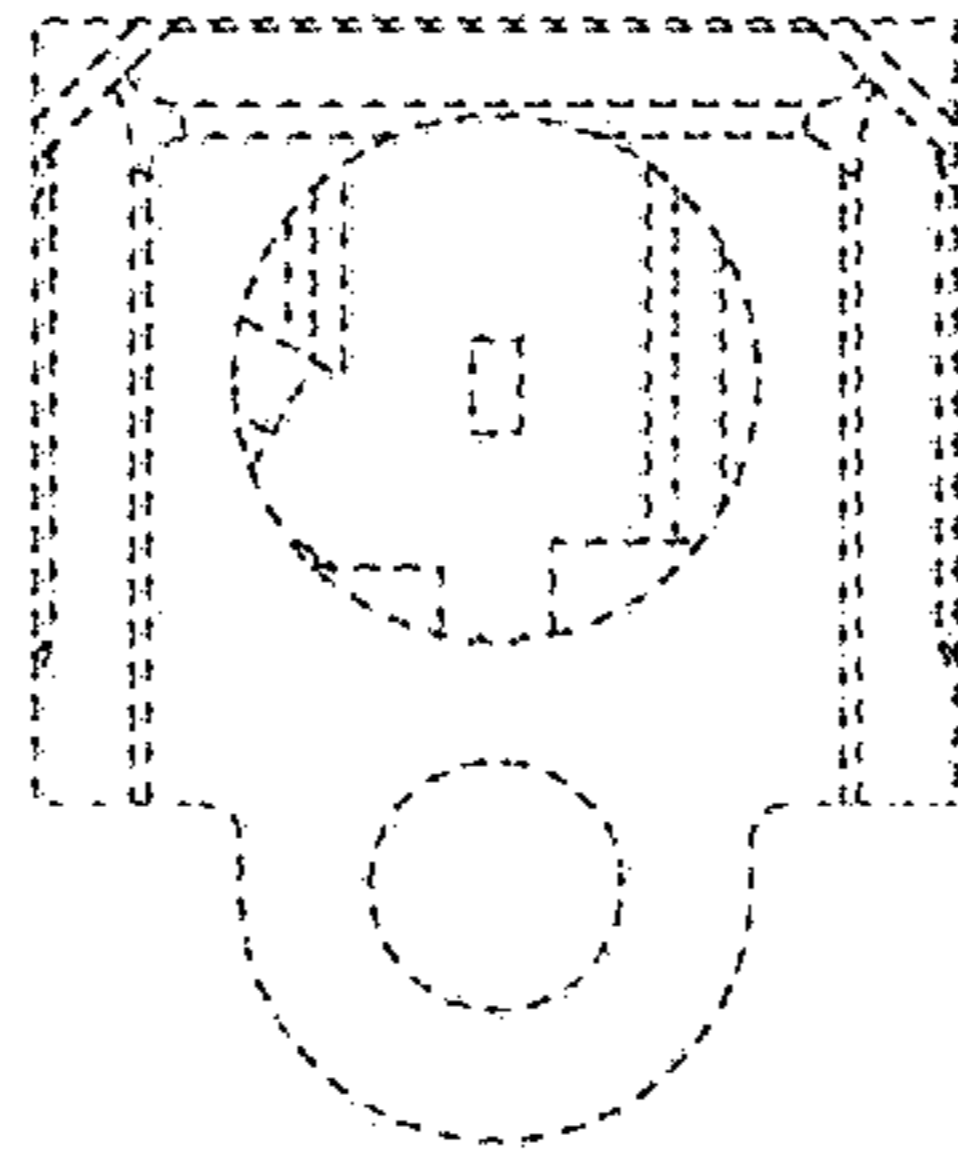
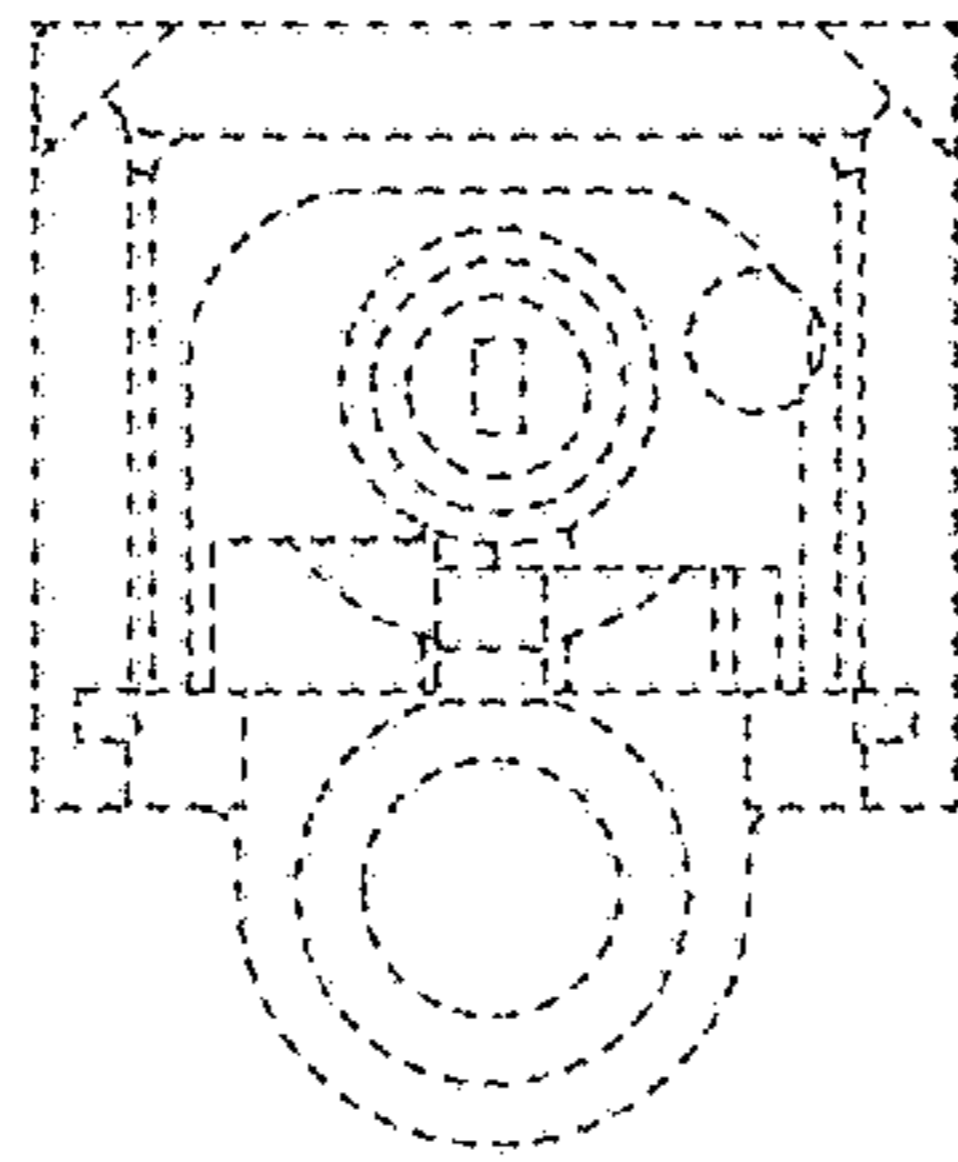


FIG. 6



**FIG. 7**



**FIG. 8**

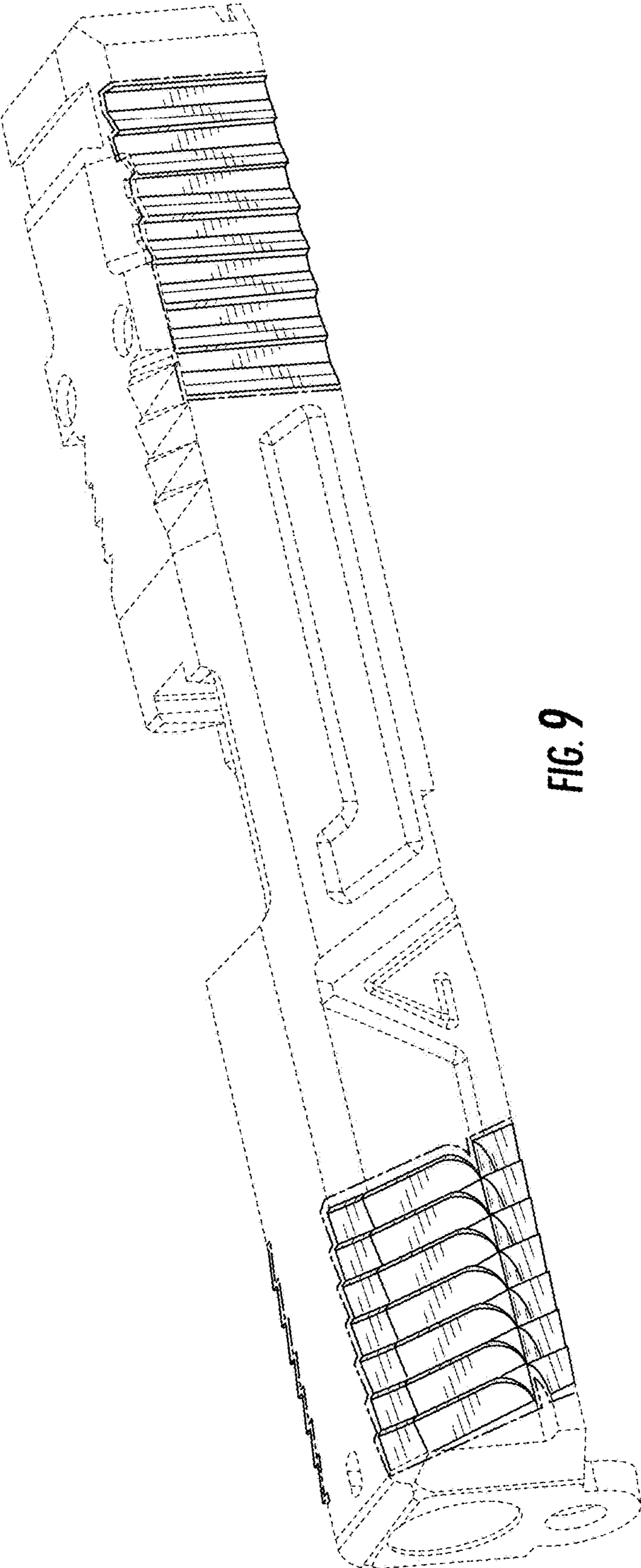


FIG. 9



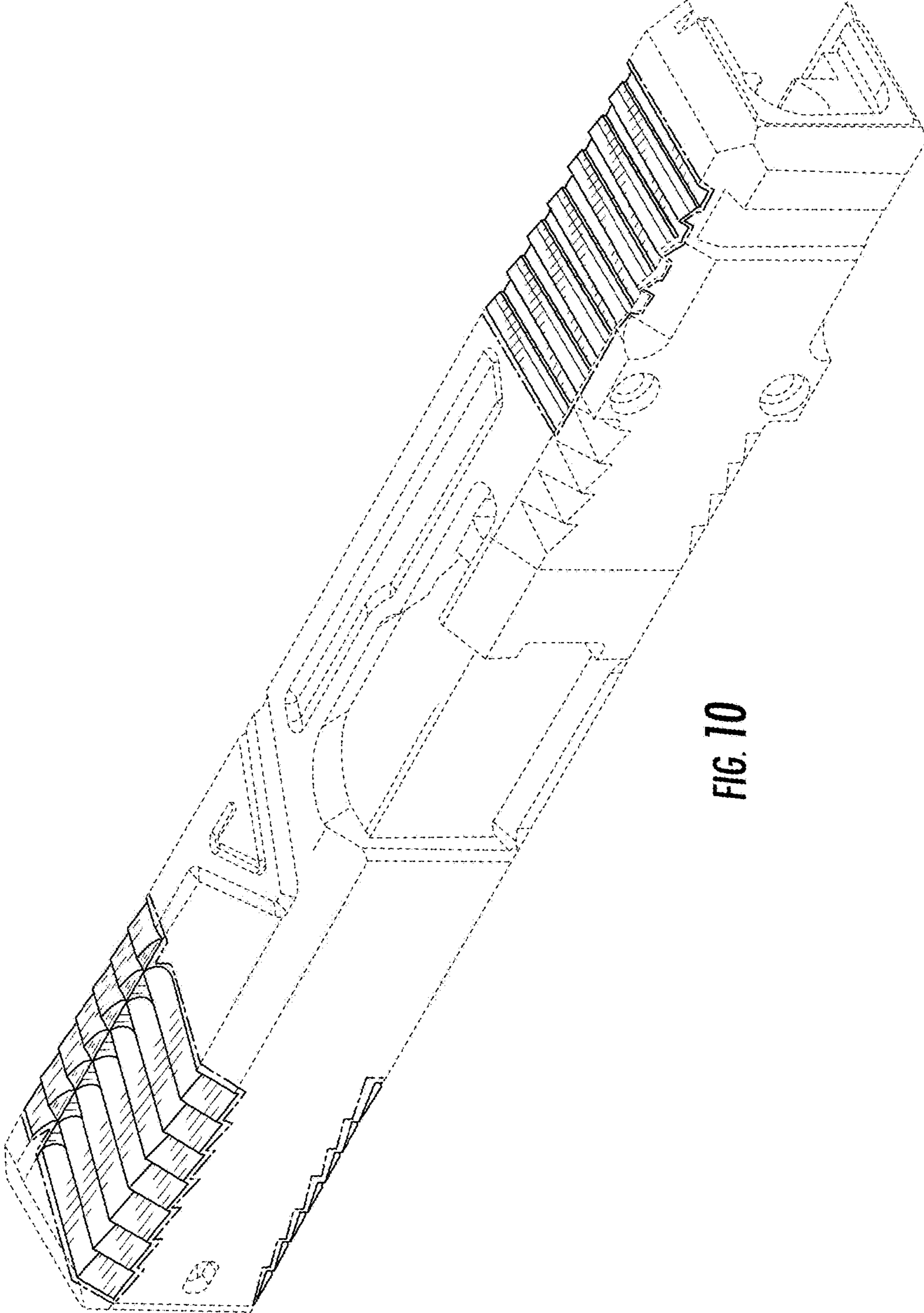


FIG. 10

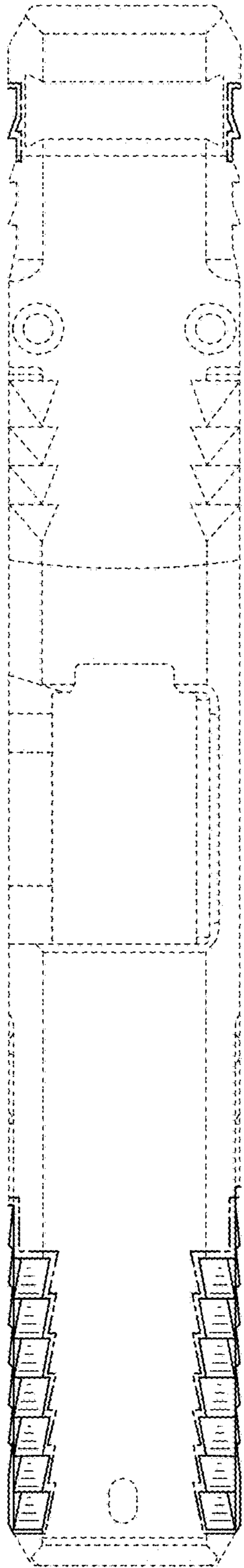


FIG. 11

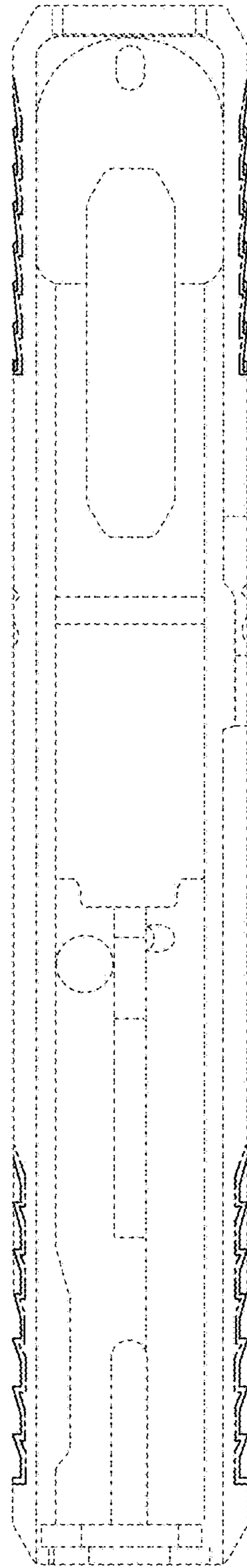


FIG. 12

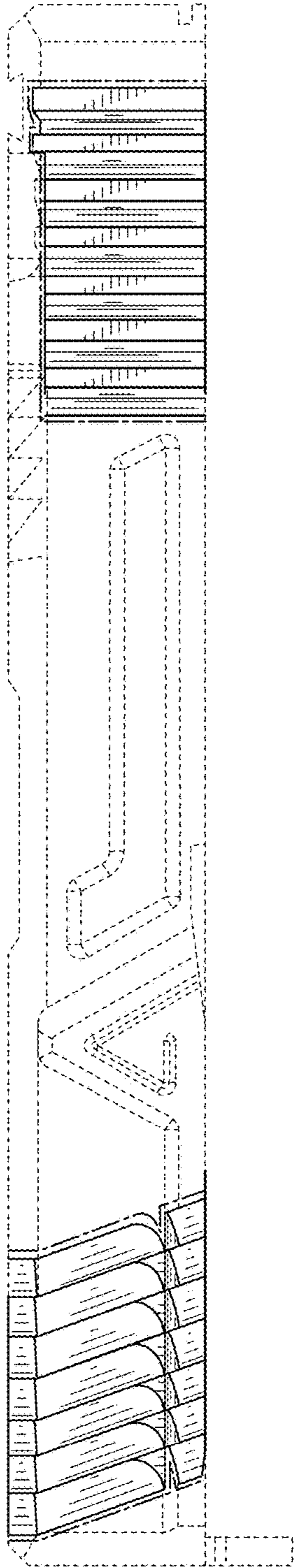


FIG. 13

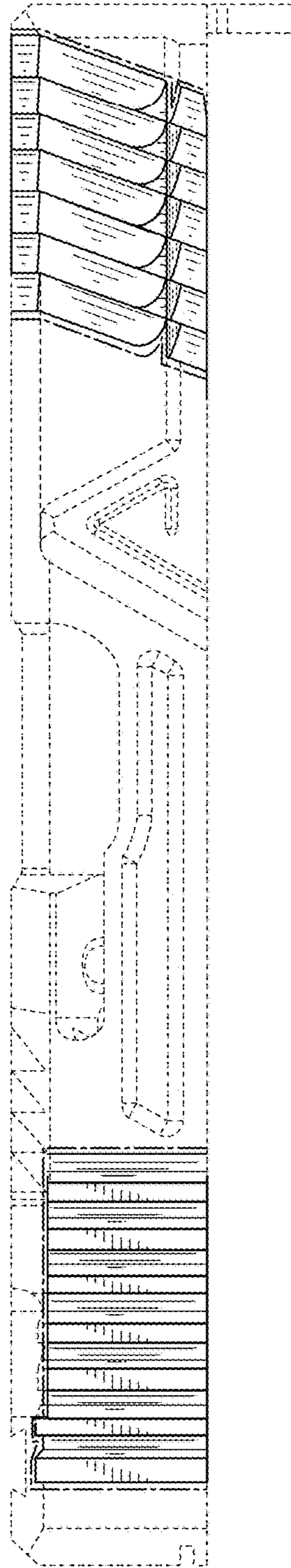
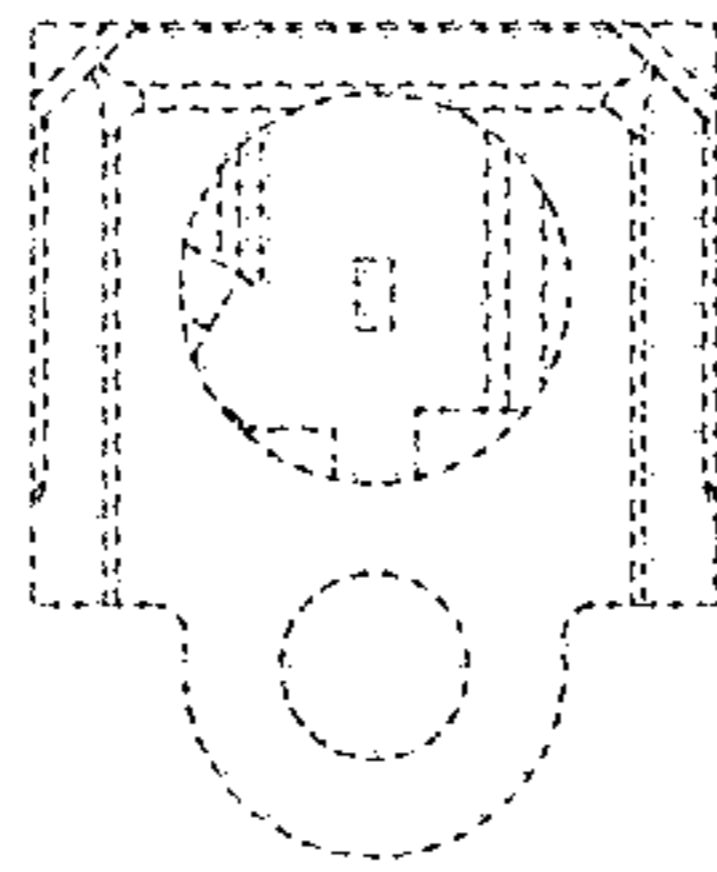
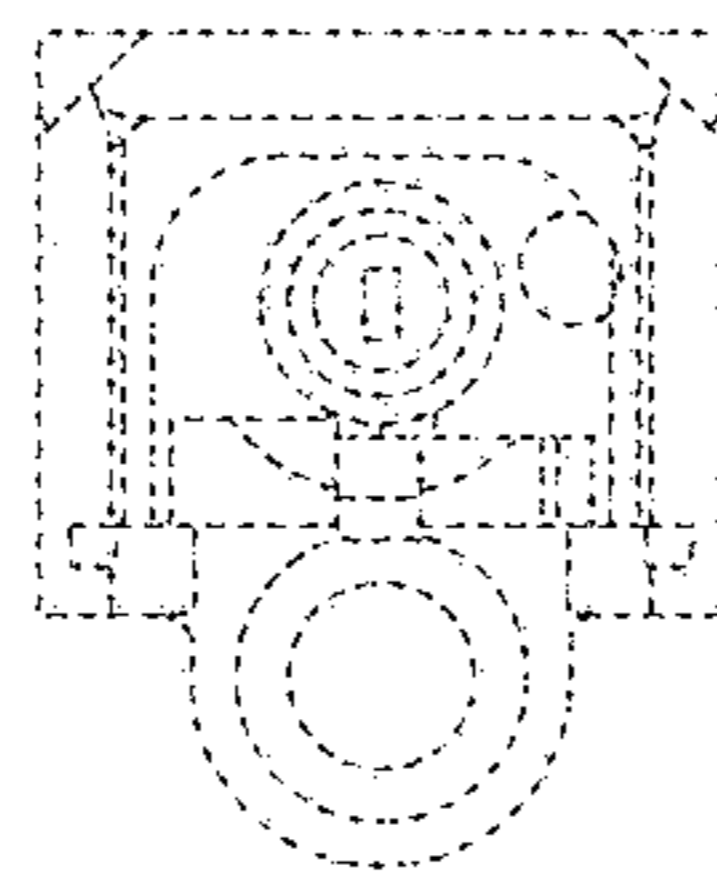


FIG. 14



**FIG. 15**



**FIG. 16**