



US00D800242S

(12) **United States Design Patent**  
**de Grasse**

(10) **Patent No.:** **US D800,242 S**  
(45) **Date of Patent:** **\*\* Oct. 17, 2017**

- (54) **FLOTATION DEVICE**
- (71) Applicant: **Aqua-Leisure Industries, Inc.**, Avon, MA (US)
- (72) Inventor: **Scott R. de Grasse**, Marshfield, MA (US)
- (73) Assignee: **Aqua-Leisure Industries, Inc.**, Avon, MA (US)
- (\*\*) Term: **15 Years**
- (21) Appl. No.: **29/582,363**
- (22) Filed: **Oct. 27, 2016**
- (51) **LOC (10) Cl.** ..... **29-02**
- (52) **U.S. Cl.**  
USPC ..... **D21/805**
- (58) **Field of Classification Search**  
USPC ..... D21/769-770, 801, 803-805, 807-809;  
D12/5, 6, 316; D6/392, 395, 596, 601,  
D6/604, 605  
CPC ..... B63B 35/74; B63B 35/76; B63B 35/78;  
B63B 35/79; B63B 35/7906; B63B  
35/7909; B63B 35/7913; B63B 35/7916;  
B63B 35/792; B63B 35/7923; B63B  
35/7926; B63B 35/793  
See application file for complete search history.

- D507,084 S \* 7/2005 Sabeh-Azar ..... D30/144
- D623,714 S \* 9/2010 Steger ..... B63C 9/135  
D21/805
- D679,335 S 4/2013 Bengyak
- D679,355 S \* 4/2013 Fireman ..... D21/805
- D707,778 S \* 6/2014 Nielsen ..... D21/807
- D744,603 S \* 12/2015 Lin ..... D21/805

**OTHER PUBLICATIONS**

<https://www.amazon.com/Glove-Paddle-Learn-Jacket-Learn/dp/B01N9N4MCZ/>—Retrieved Aug. 15, 2017.\*  
<https://www.amazon.com/Siran-puddle-floaties-infants-swimming/dp/B0714LN25T/>—Retrieved Aug. 15, 2017.\*

\* cited by examiner

*Primary Examiner* — Manpreet Matharu  
*Assistant Examiner* — Mojtaba Tehrani  
 (74) *Attorney, Agent, or Firm* — Wolf, Greenfield & Sacks, P.C.

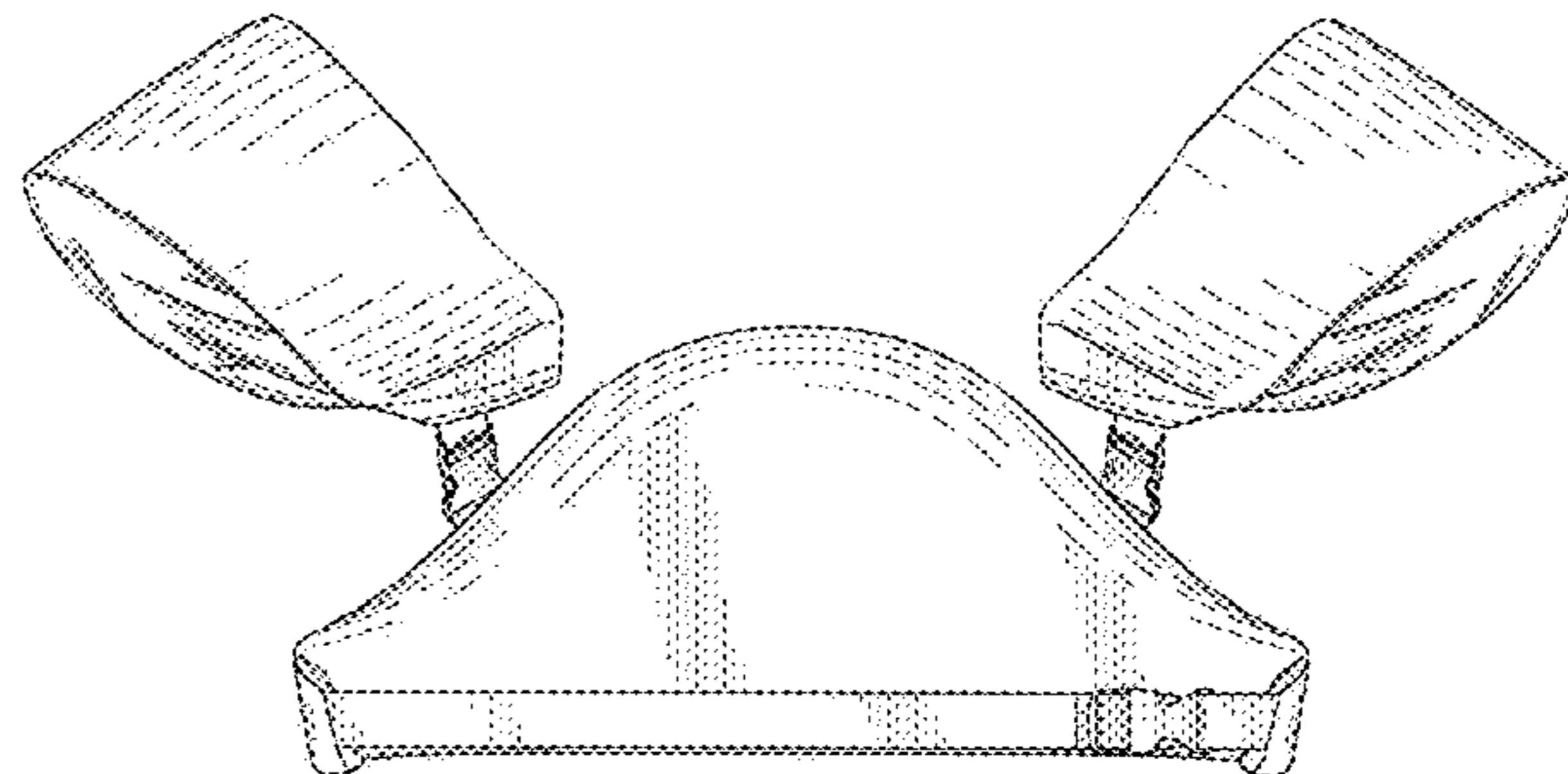
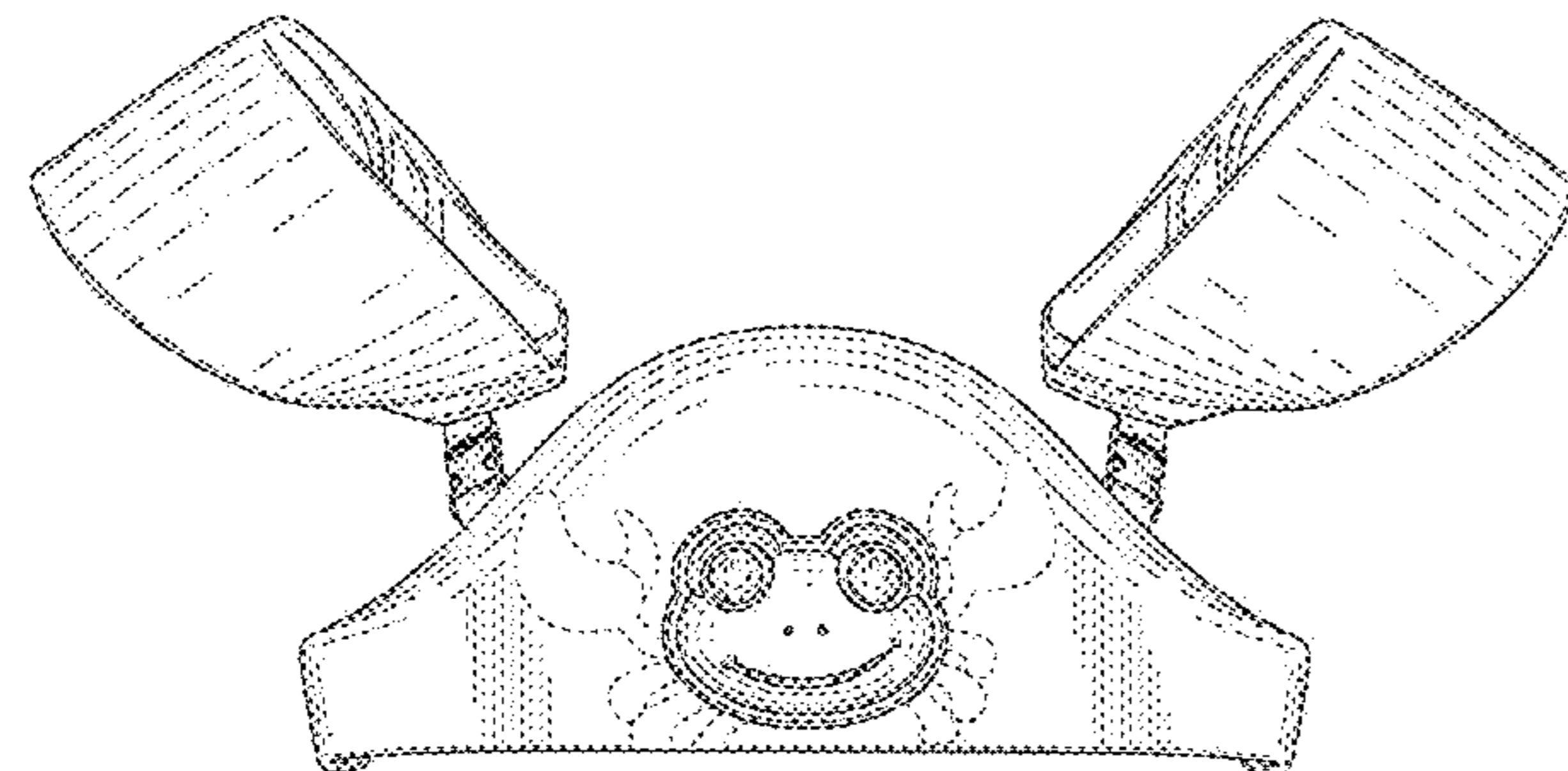
(57) **CLAIM**

The ornamental design for a flotation device, as shown and described.

**DESCRIPTION**

FIG. 1 is a perspective view of a flotation device, showing my new design;  
 FIG. 2 is a front elevation view thereof;  
 FIG. 3 is a rear elevation view thereof;  
 FIG. 4 is a left side elevation view thereof;  
 FIG. 5 is a right side elevation view thereof;  
 FIG. 6 is a top plan view thereof; and,  
 FIG. 7 is a bottom plan thereof.  
 The broken lines having the short dash appearance in the drawings, represent environmental subject matter and form no part of the claimed design.

**1 Claim, 6 Drawing Sheets**



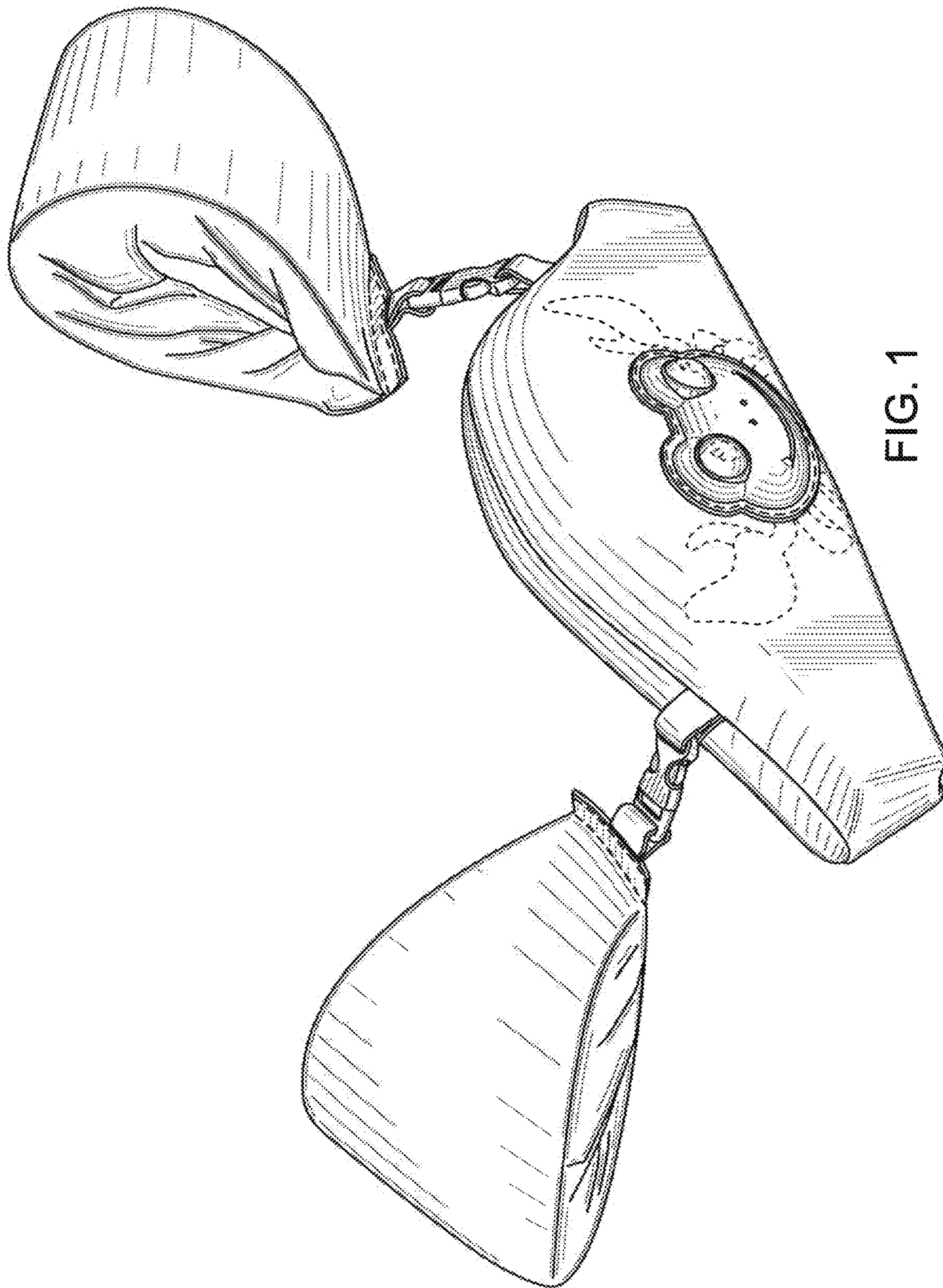


FIG. 1

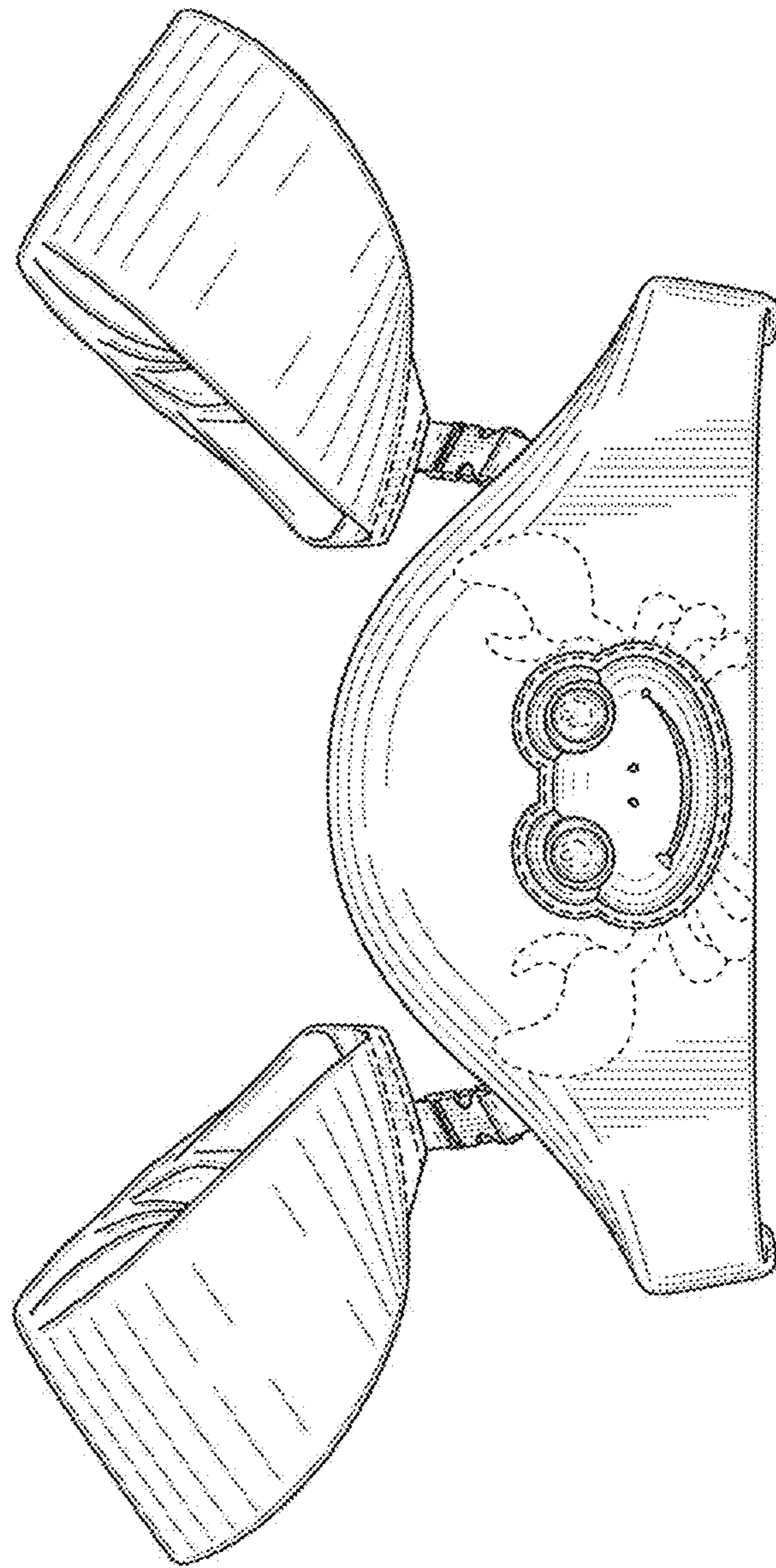


FIG. 2

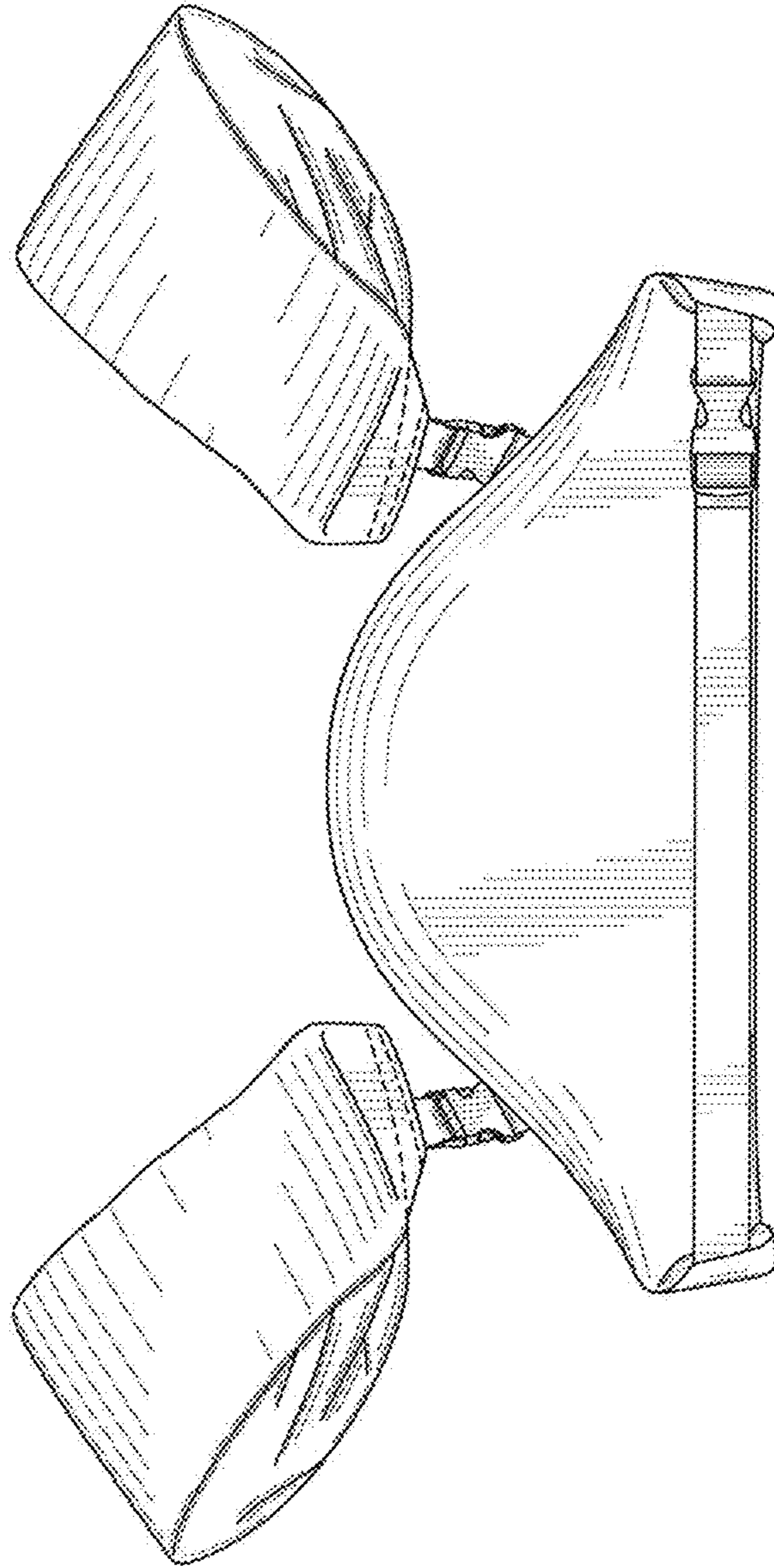


FIG. 3

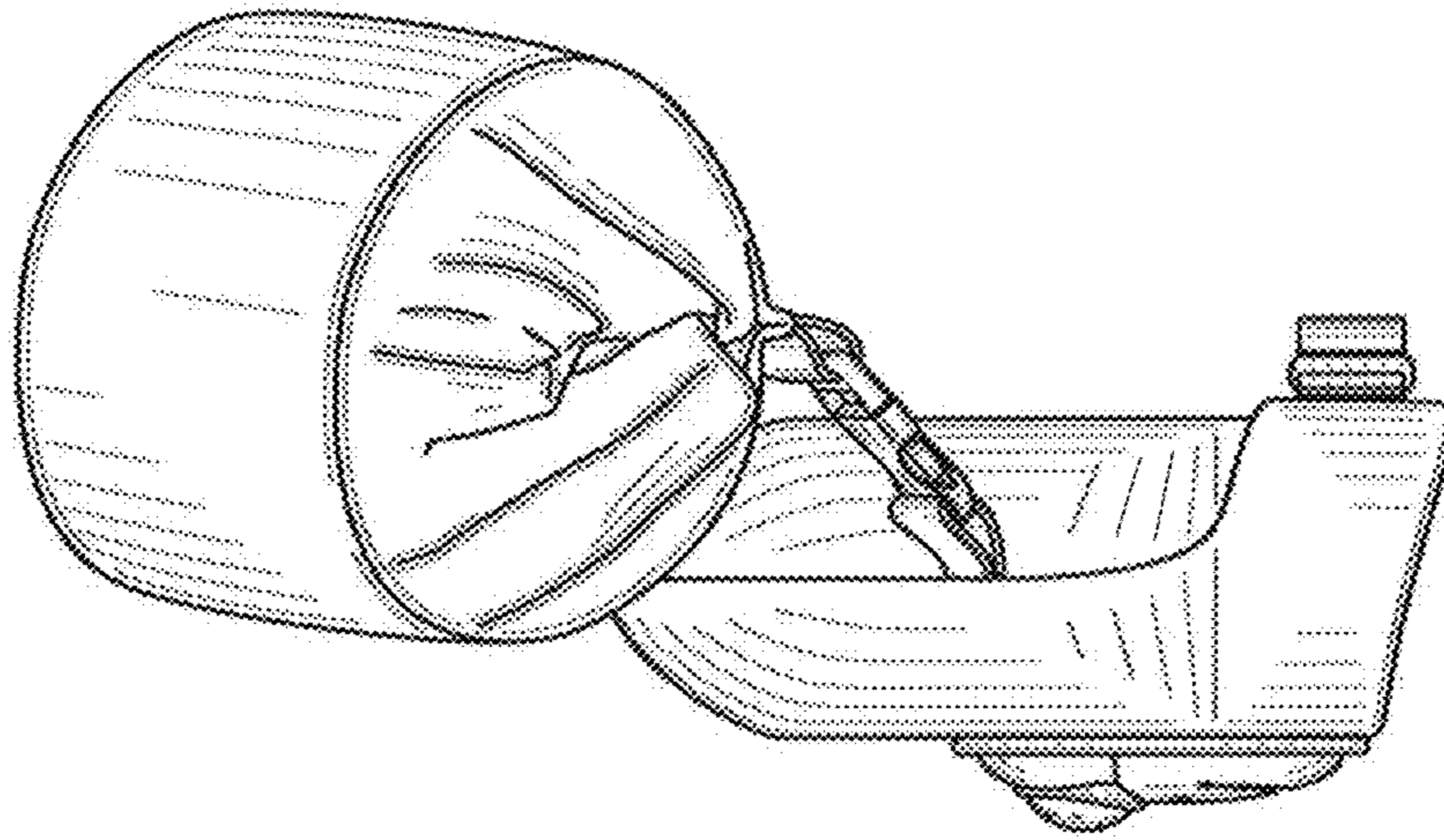


FIG. 5

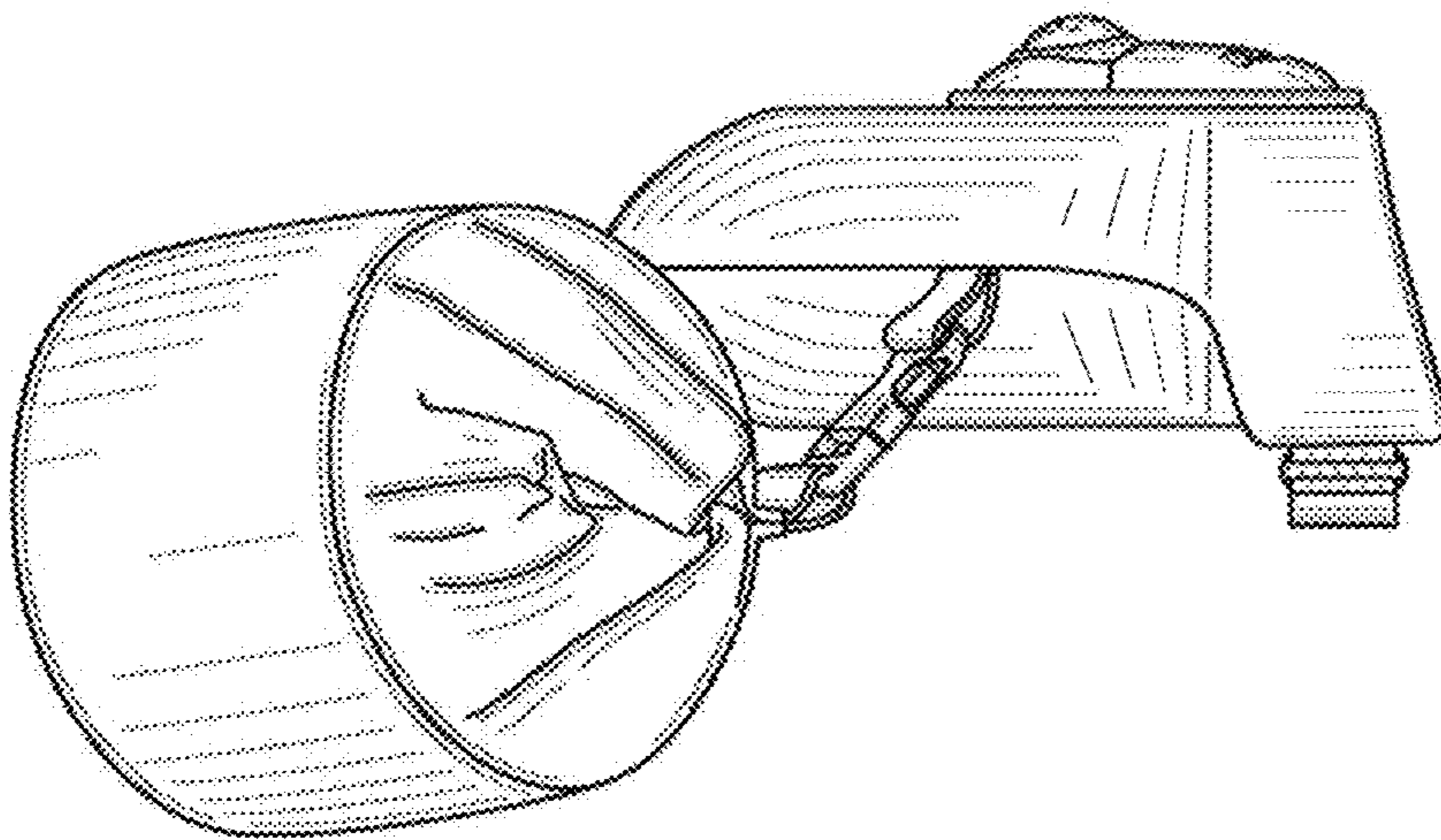


FIG. 4

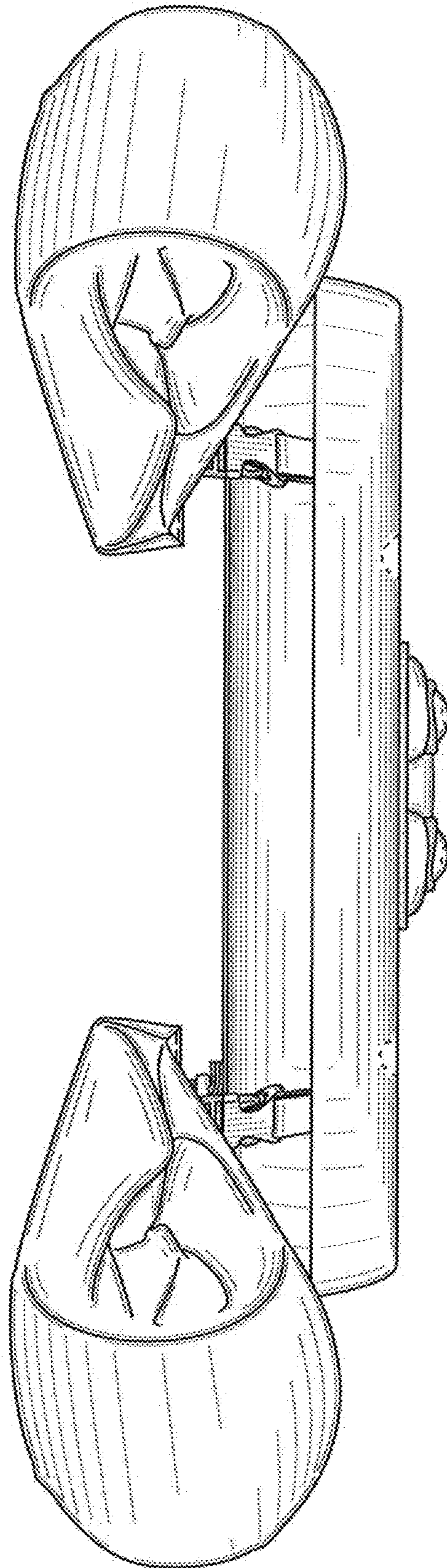


FIG. 6

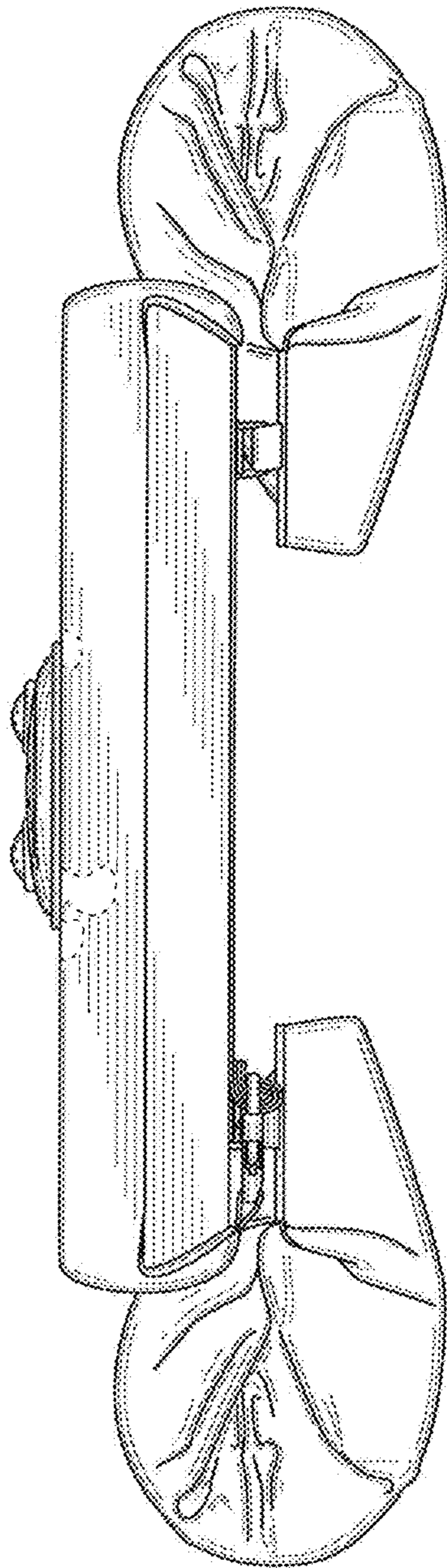


FIG. 7