



US00D800240S

(12) **United States Design Patent**
Russell

(10) **Patent No.:** **US D800,240 S**

(45) **Date of Patent:** **** Oct. 17, 2017**

(54) **FIRE HELMET GOLF CLUB HEADCOVER**

(71) Applicant: **Brett Early Russell**, Norfolk, VA (US)

(72) Inventor: **Brett Early Russell**, Norfolk, VA (US)

(**) Term: **15 Years**

(21) Appl. No.: **29/552,590**

(22) Filed: **Jan. 23, 2016**

(51) **LOC (10) Cl.** **21-02**

(52) **U.S. Cl.**
USPC **D21/754**

(58) **Field of Classification Search**
USPC D21/754; D2/866, 869, 882, 886
CPC A63B 60/62
See application file for complete search history.

(56) **References Cited**

U.S. PATENT DOCUMENTS

D273,968 S *	5/1984	Masai	D21/754
D287,392 S *	12/1986	Brittner	D21/754
D301,047 S *	5/1989	Pace	D21/754
D312,289 S *	11/1990	Pace	D21/754
D395,694 S *	6/1998	Perry	D21/754
D396,514 S *	7/1998	Perry	D21/754
D402,727 S *	12/1998	Stutzman	D21/754
D402,728 S *	12/1998	Stutzman	D21/754

D410,981 S *	6/1999	Stutzman	D21/754
5,908,344 A *	6/1999	Kociemba	A63B 60/62 150/160
D412,350 S *	7/1999	Park	D21/754
D417,899 S *	12/1999	Sloan	D21/623
6,113,457 A *	9/2000	Kociemba	A63B 60/62 150/160
D443,666 S *	6/2001	Perry	D21/754
D456,473 S *	4/2002	Okamoto	D21/754
D670,777 S *	11/2012	Roberts	D21/754
D711,990 S *	8/2014	Roberts	D21/754

* cited by examiner

Primary Examiner — Mitchell Siegel

(74) *Attorney, Agent, or Firm* — William G. Sykes

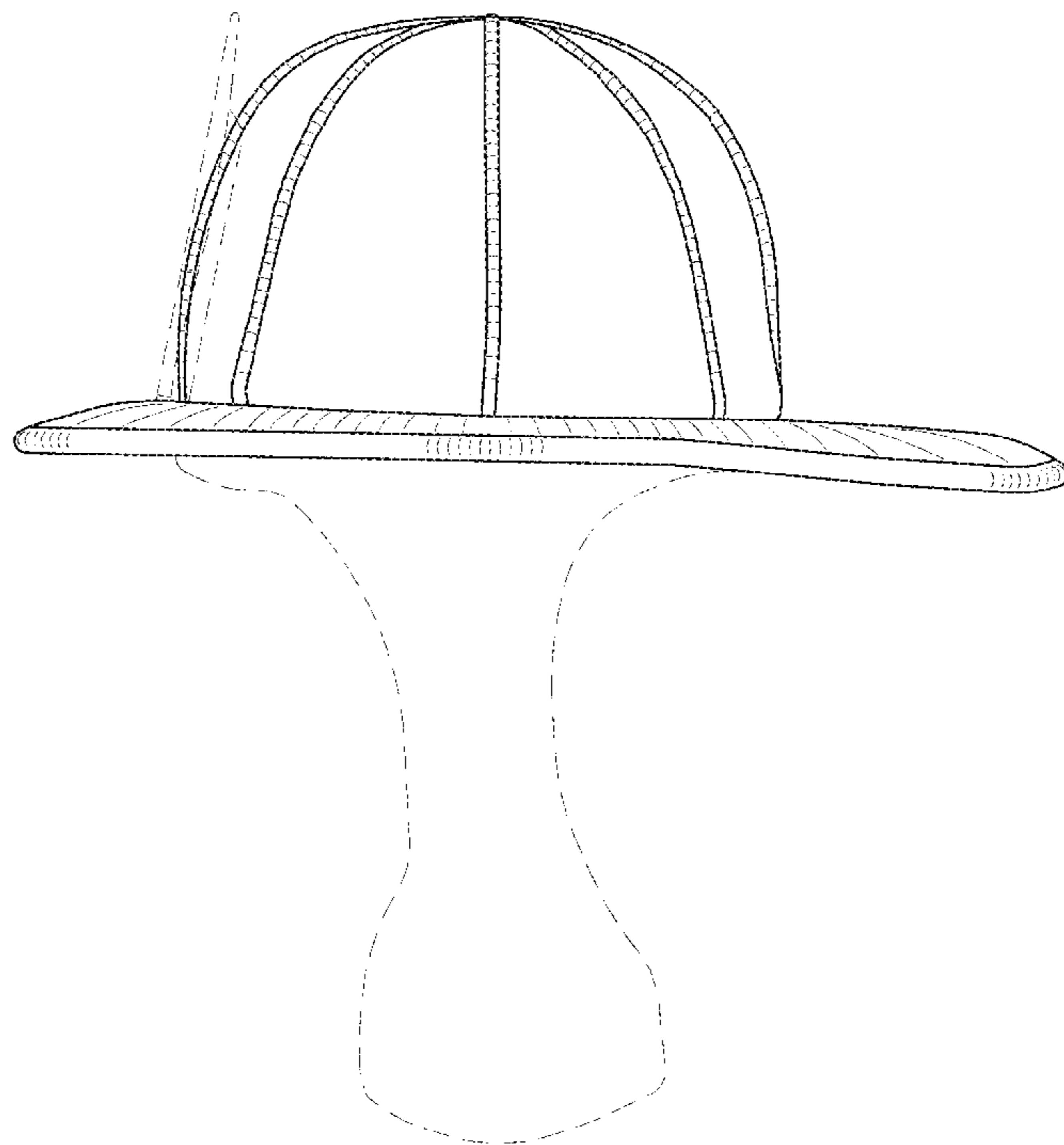
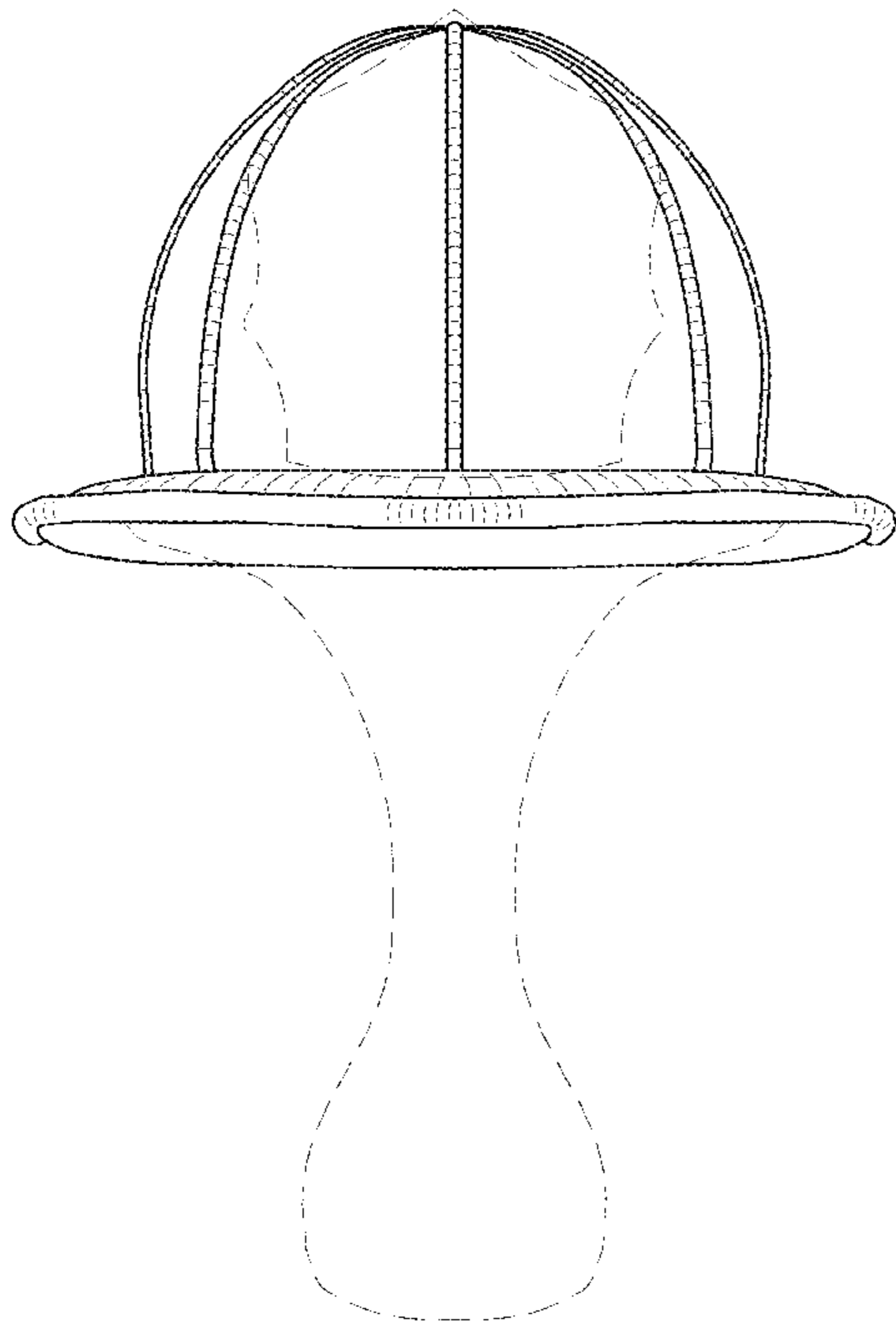
(57) **CLAIM**

The ornamental design for a fire helmet golf club headcover, as shown and described.

DESCRIPTION

FIG. 1 is a bottom perspective view of a fire helmet golf club headcover showing my new design; FIG. 2 is a front view thereof; FIG. 3 is a top view thereof; FIG. 4 is bottom view thereof; FIG. 5 is a right side view thereof. FIG. 6 is left side view thereof; and, FIG. 7 is back view thereof.

1 Claim, 7 Drawing Sheets



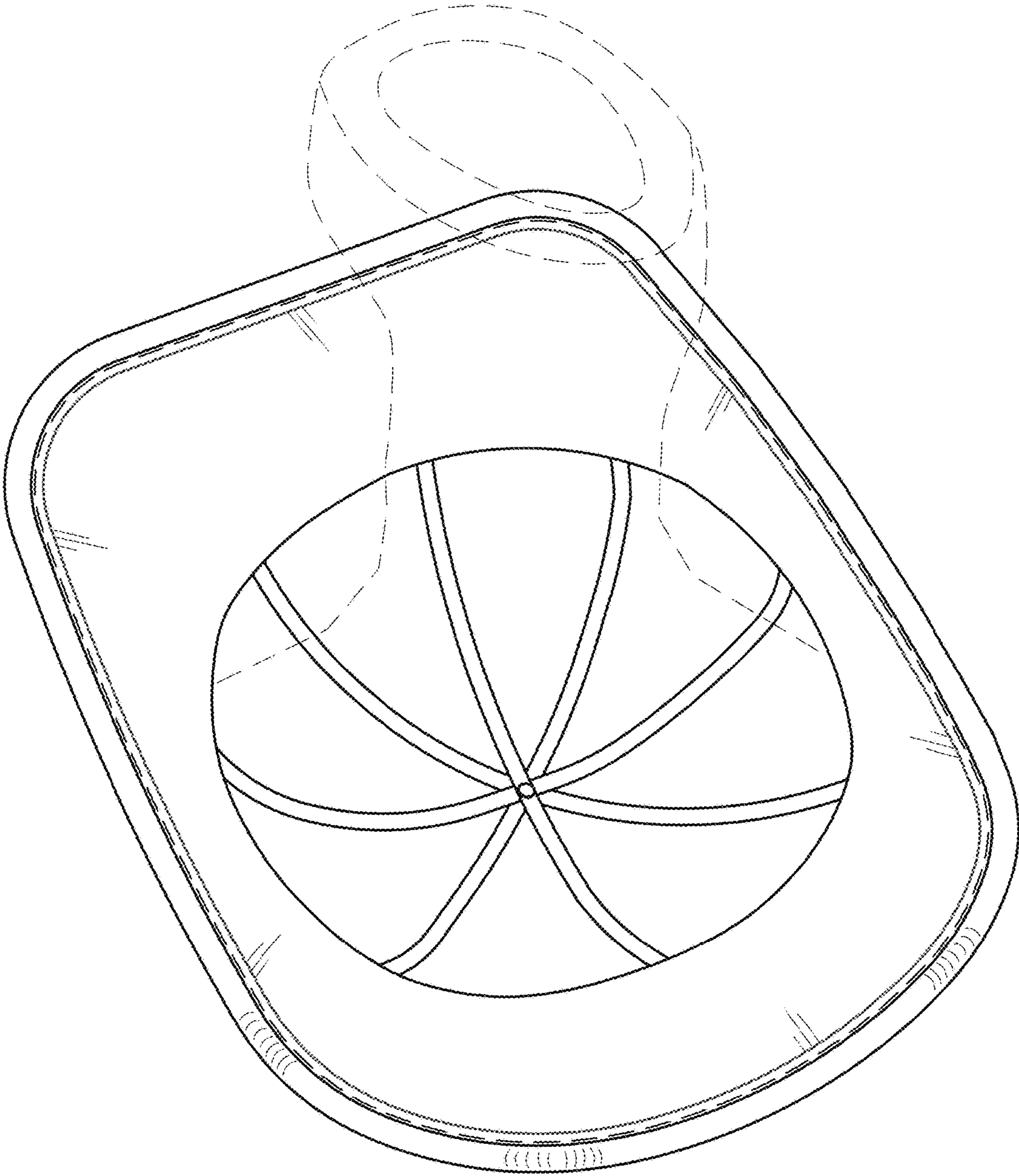


Fig. 1

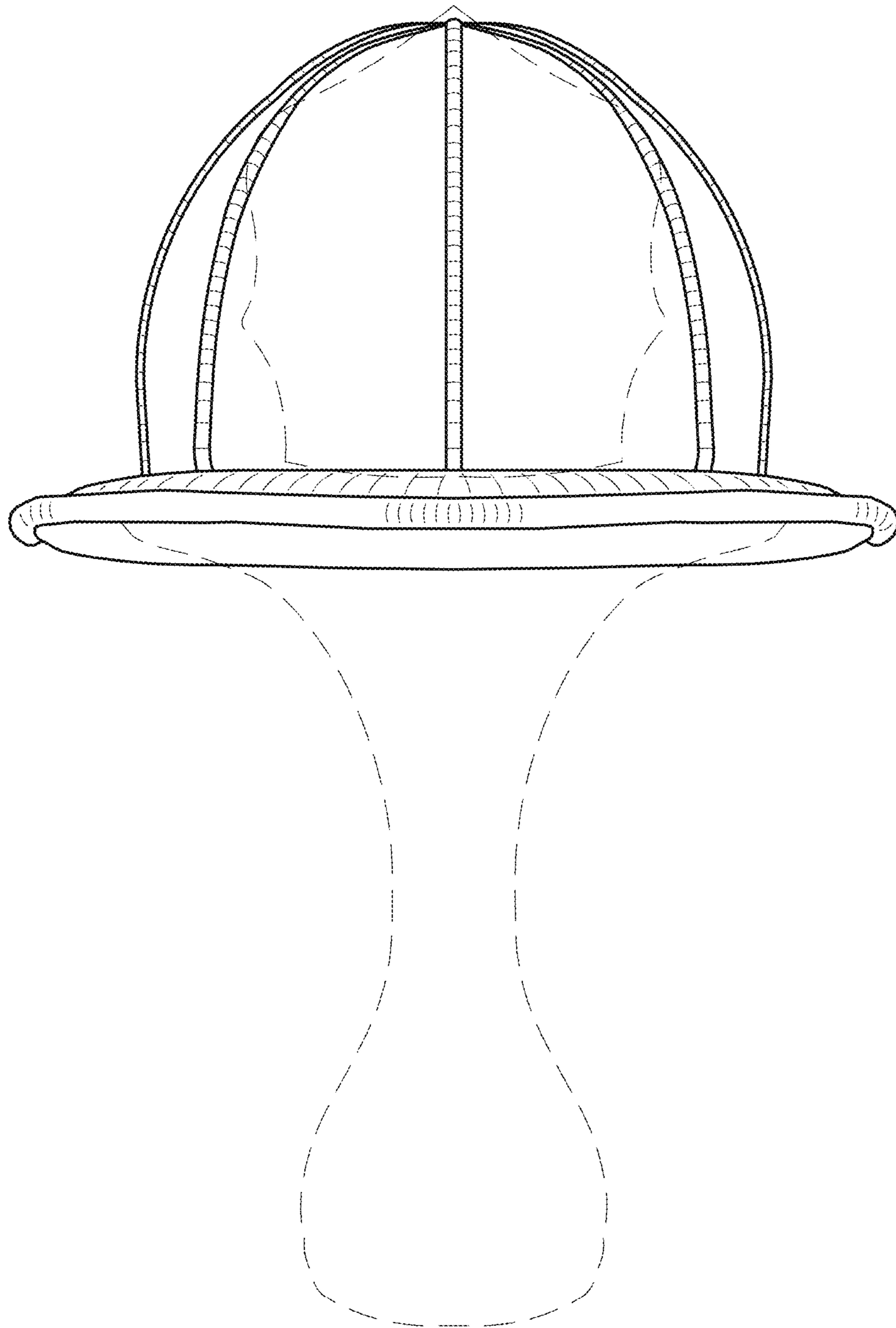


Fig. 2

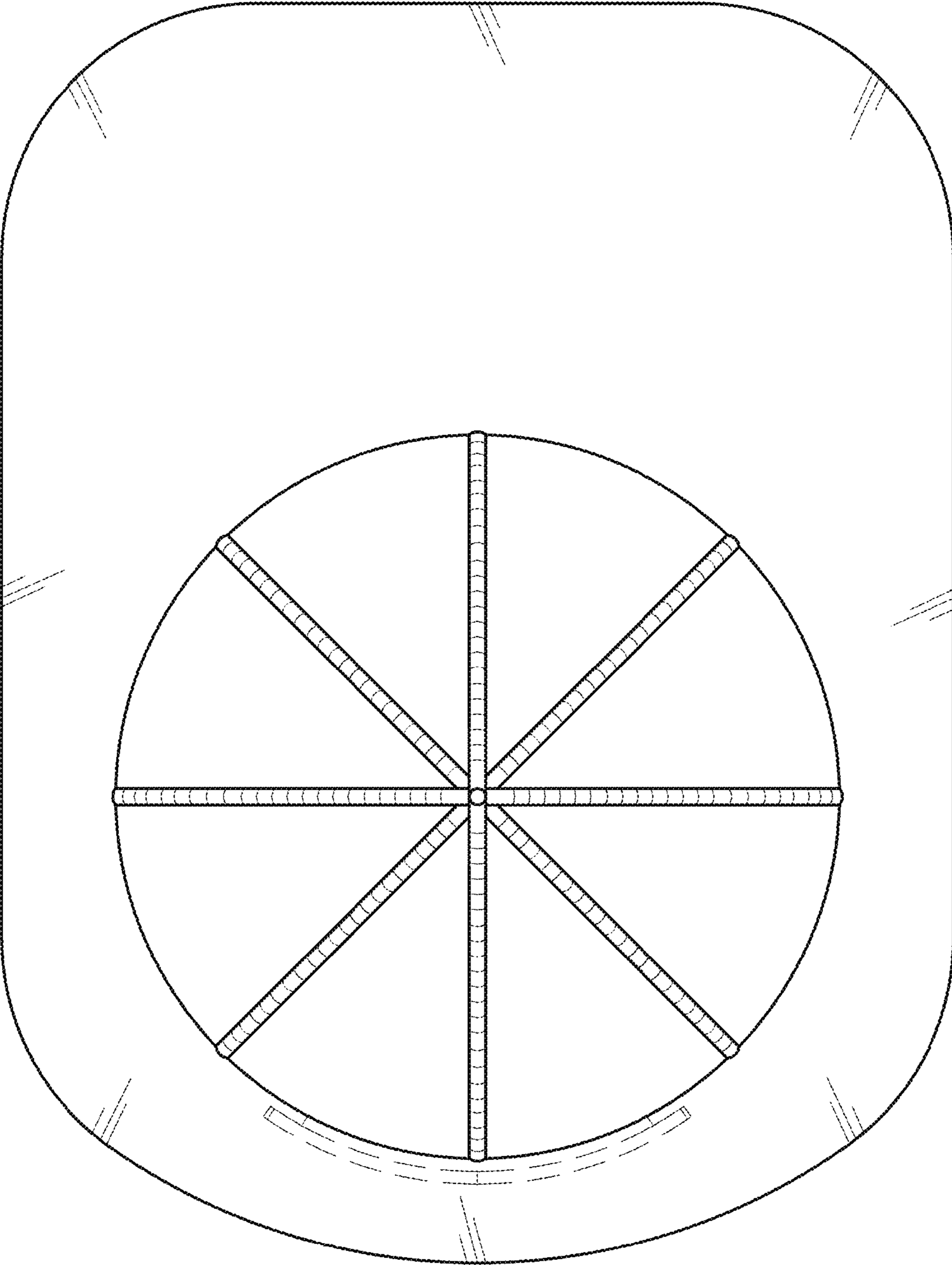


Fig. 3

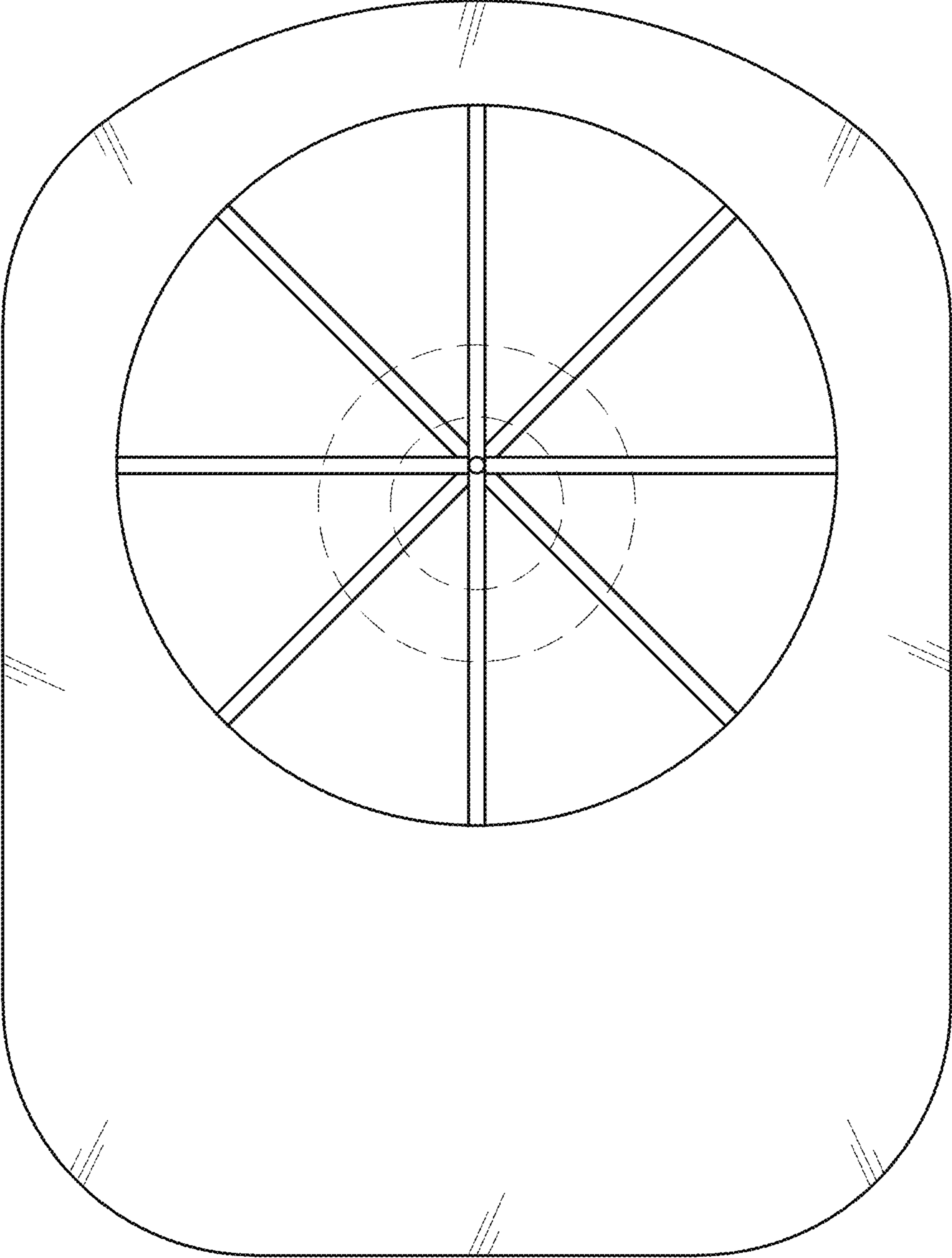


Fig. 4

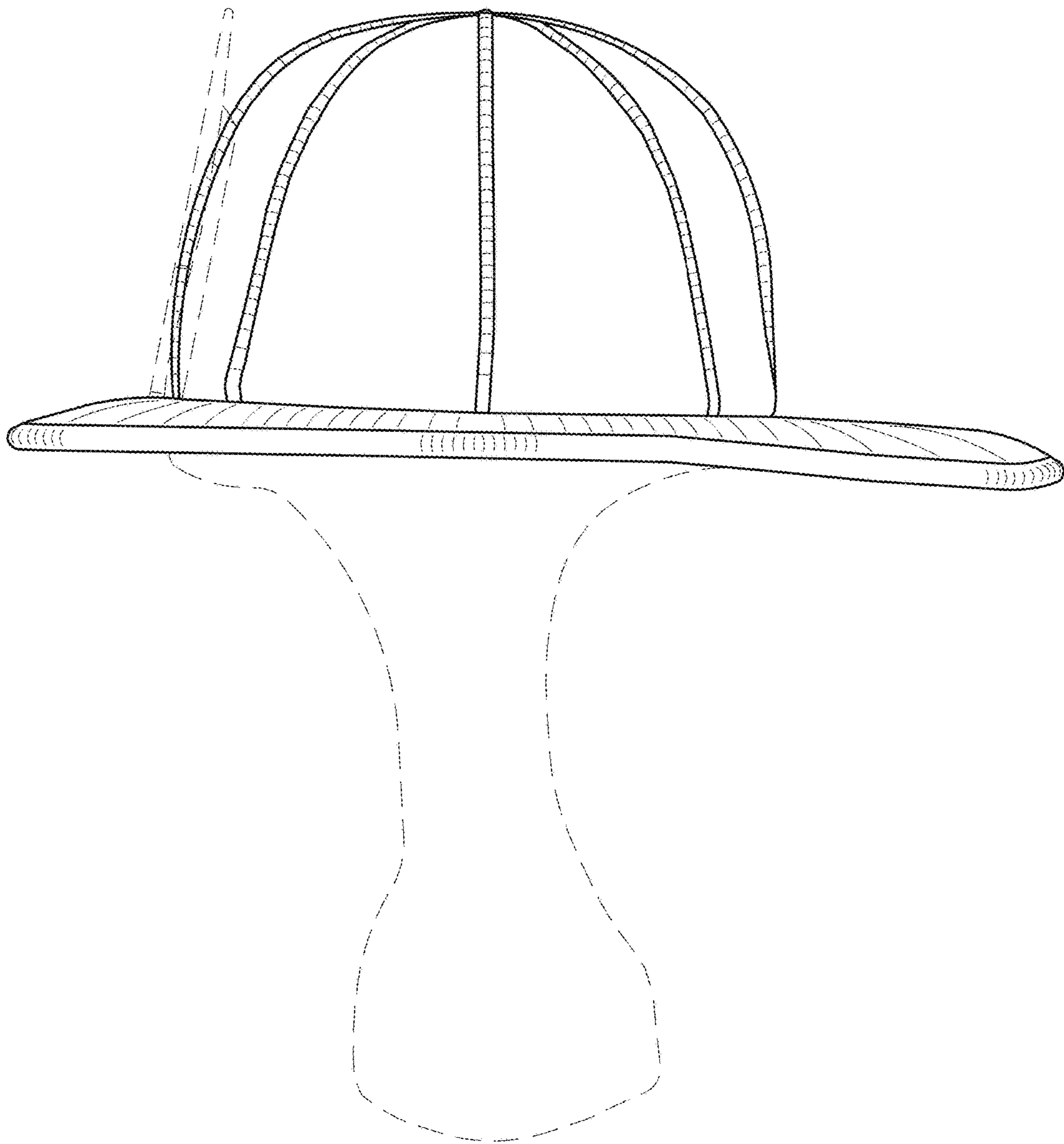


Fig. 5

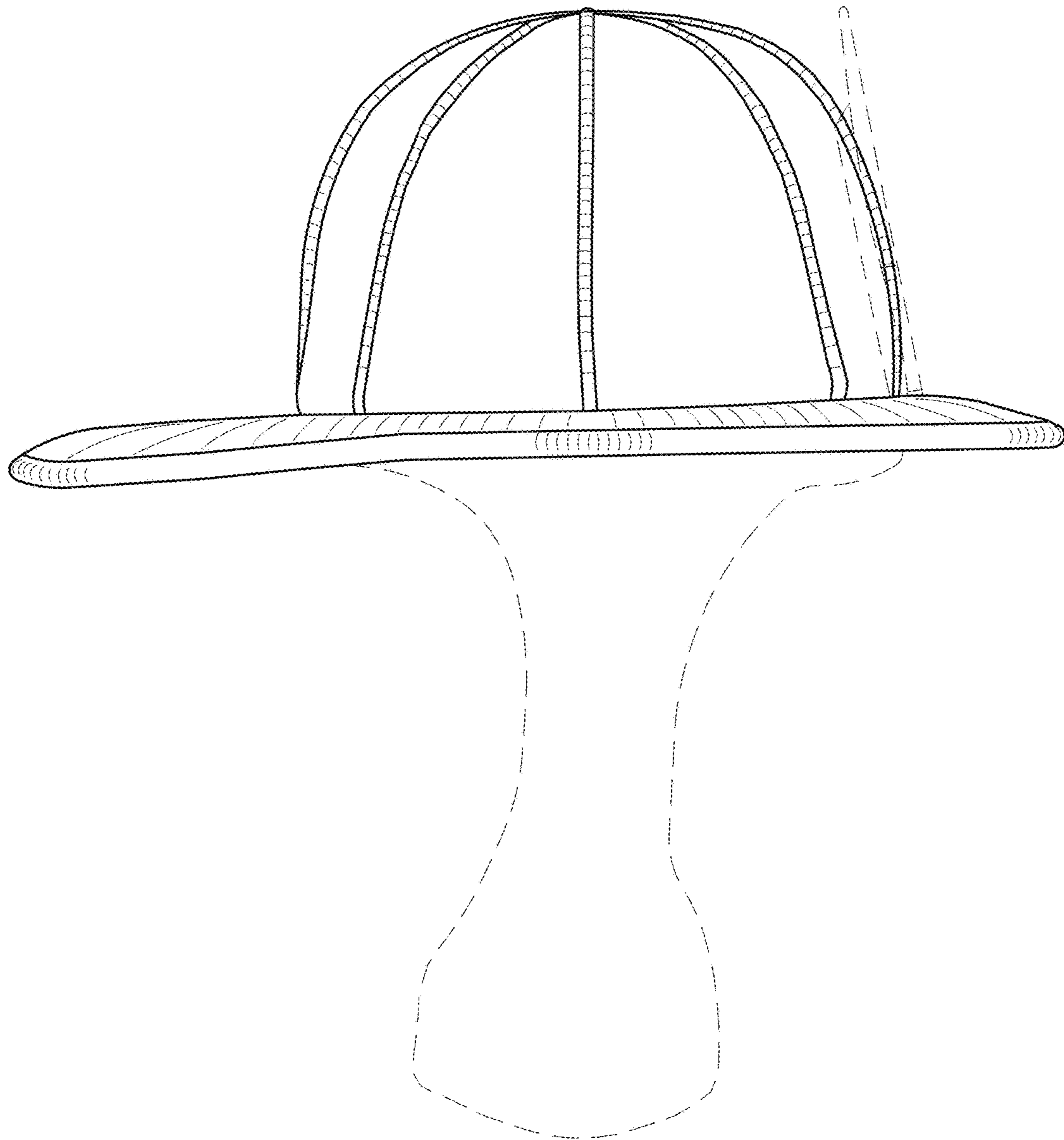


Fig. 6

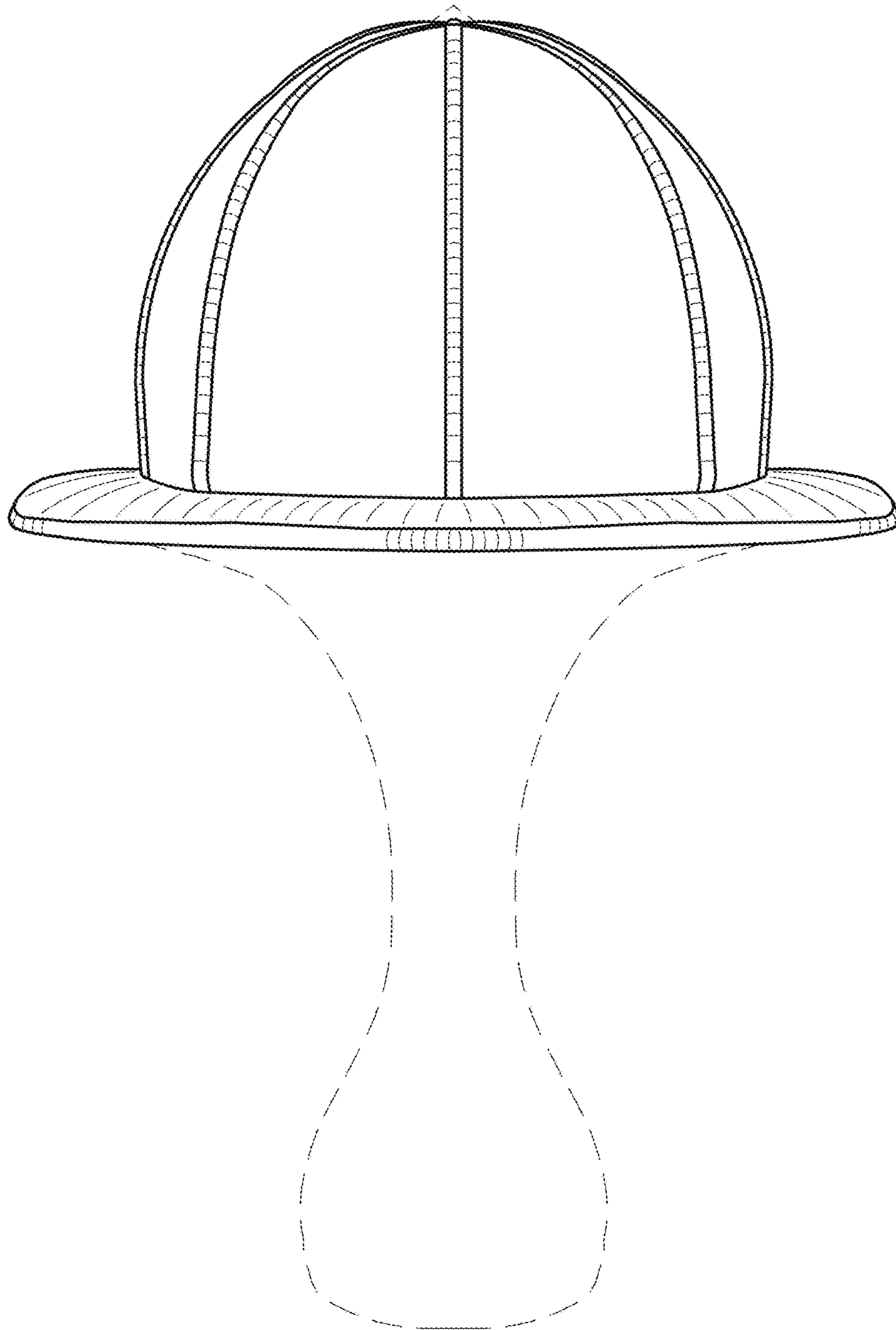


Fig. 7