



US00D800232S

(12) **United States Design Patent**
Baker

(10) **Patent No.:** **US D800,232 S**

(45) **Date of Patent:** **** Oct. 17, 2017**

(54) **ANIMATION PUPPET PELVIS**

(71) Applicant: **StickyBones LLC**, San Diego, CA (US)

(72) Inventor: **Erik J. Baker**, San Jose, CA (US)

(73) Assignee: **StickyBones LLC**, San Diego, CA (US)

(**) Term: **15 Years**

(21) Appl. No.: **29/580,631**

(22) Filed: **Oct. 11, 2016**

Related U.S. Application Data

(63) Continuation of application No. 15/237,392, filed on Aug. 15, 2016.

(51) **LOC (10) Cl.** **21-01**

(52) **U.S. Cl.**
USPC **D21/587**; D15/199; D21/578

(58) **Field of Classification Search**
USPC D21/578-583, 587, 621, 622;
446/268-274, 279, 280, 285, 289-292,
446/294, 297-303, 353-355, 376-384;
D15/199; 318/568.11, 568.12, 568.2
CPC . B25J 9/00; B25J 9/0003; B25J 9/0006; B25J
9/0009

See application file for complete search history.

(56) **References Cited**

U.S. PATENT DOCUMENTS

D593,165 S *	5/2009	Hetrick	D21/578
D677,743 S *	3/2013	Koshiishi	D15/199
D688,330 S *	8/2013	Provencher	D21/621
D688,333 S *	8/2013	Stosiak	D21/621
D688,336 S *	8/2013	Provencher	D21/621
D760,328 S *	6/2016	Croston	D21/621

D760,330 S * 6/2016 Croston D21/621

* cited by examiner

Primary Examiner — Zenia Bennett

(74) *Attorney, Agent, or Firm* — Lowry Blixseth LLP;
Scott M. Lowry

(57) **CLAIM**

The ornamental design for an animation puppet pelvis, as shown and described.

DESCRIPTION

FIG. 1 is a perspective view showing the front, top and left sides of the animation puppet pelvis;

FIG. 2 is a perspective view showing the front, top and right sides of the animation puppet pelvis;

FIG. 3 is a perspective view showing the front, bottom and left sides of the animation puppet pelvis;

FIG. 4 is a perspective view showing the front, bottom and right sides of the animation puppet pelvis;

FIG. 5 is a front elevation view of the animation puppet pelvis;

FIG. 6 is a right side elevation view of the animation puppet pelvis;

FIG. 7 is a left side elevation view of the animation puppet pelvis;

FIG. 8 is a top plan view of the animation puppet pelvis;

FIG. 9 is a bottom plan view of the animation puppet pelvis;

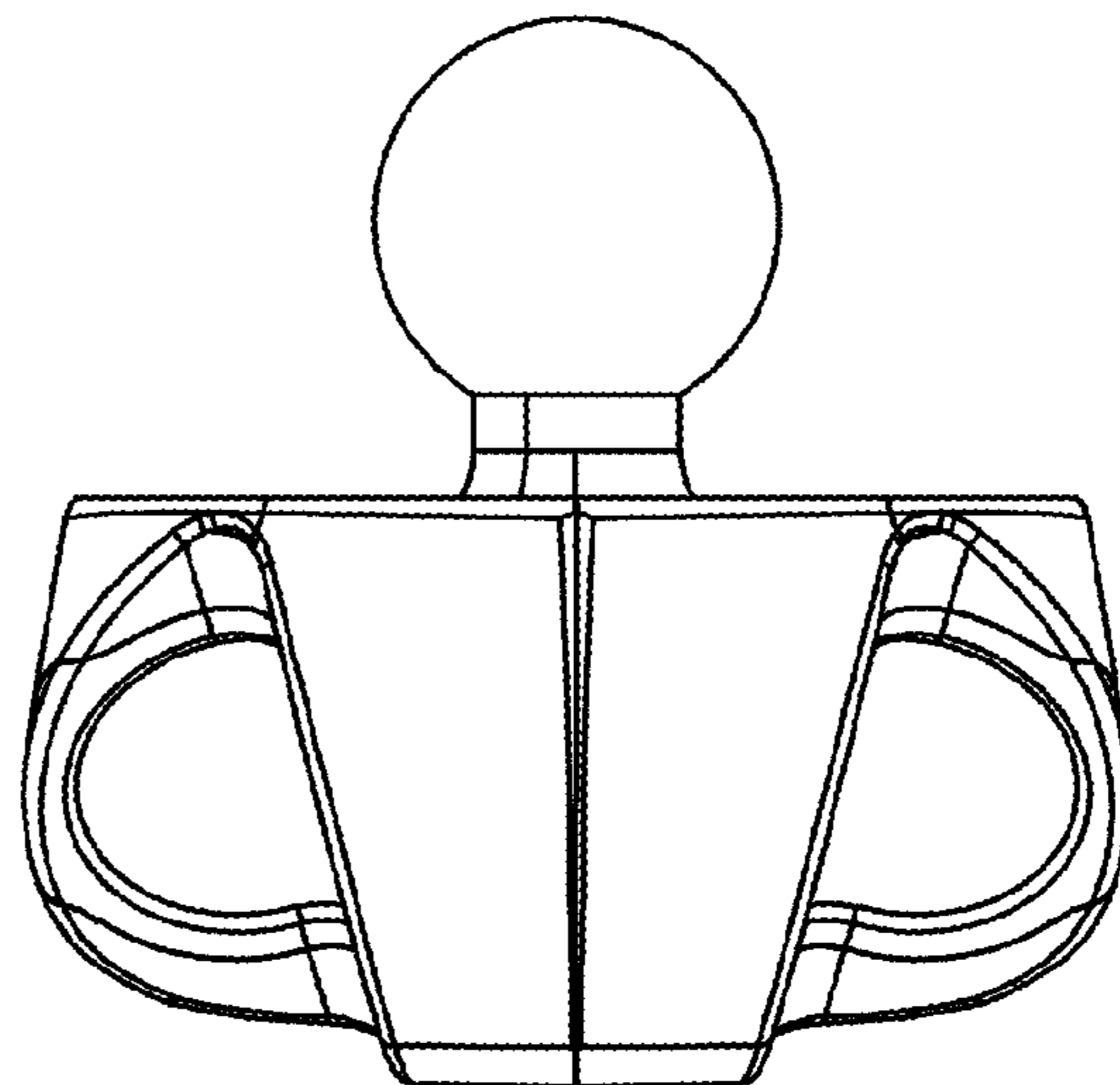
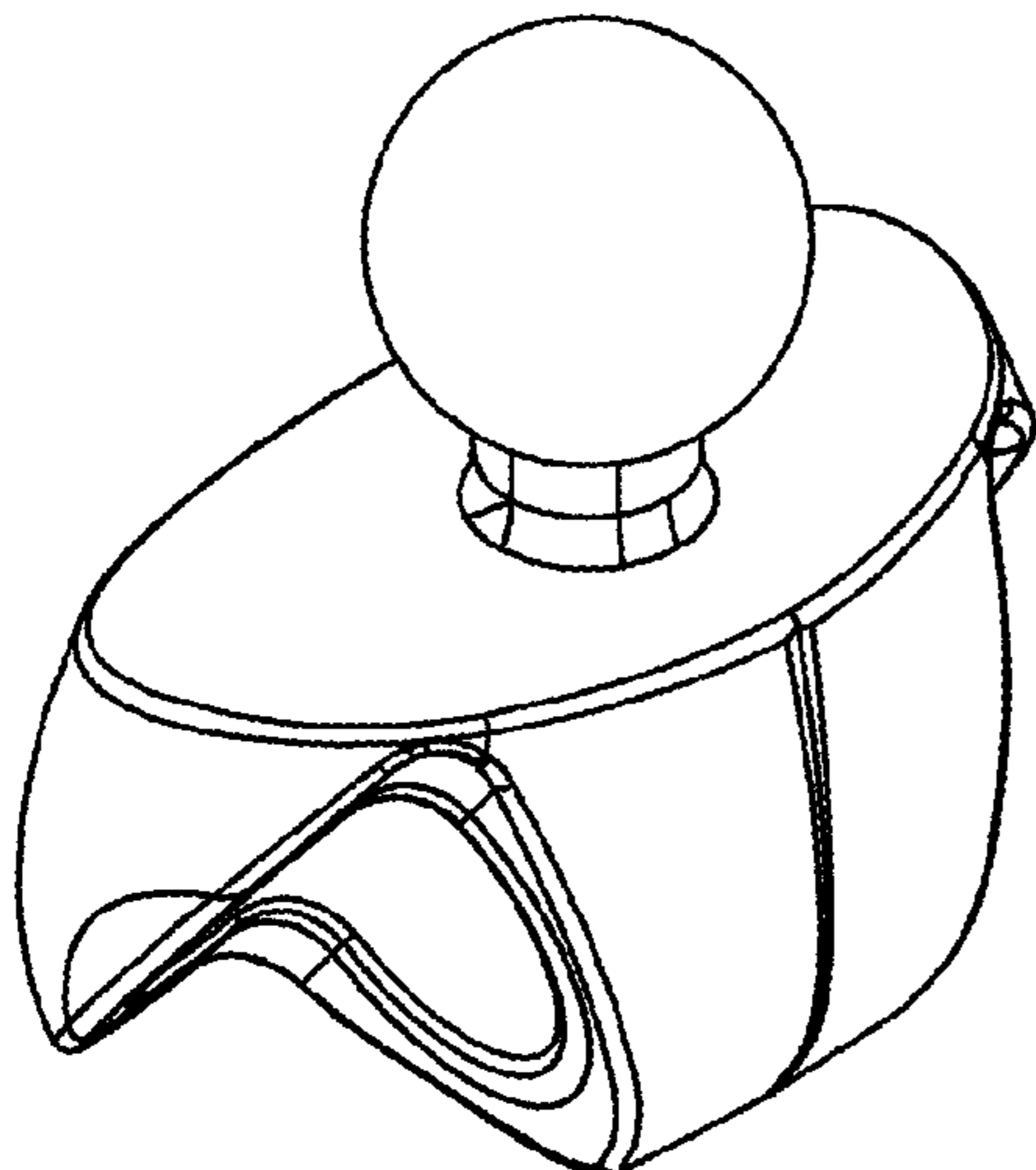
FIG. 10 is a perspective view showing the rear, top and right sides of the animation puppet pelvis;

FIG. 11 is a perspective view showing the rear, bottom and left sides of the animation puppet pelvis; and,

FIG. 12 is a rear elevation view of the animation puppet pelvis.

The broken lines shown in the drawings represent portions of the animation puppet pelvis that form no part of the claimed design.

1 Claim, 4 Drawing Sheets



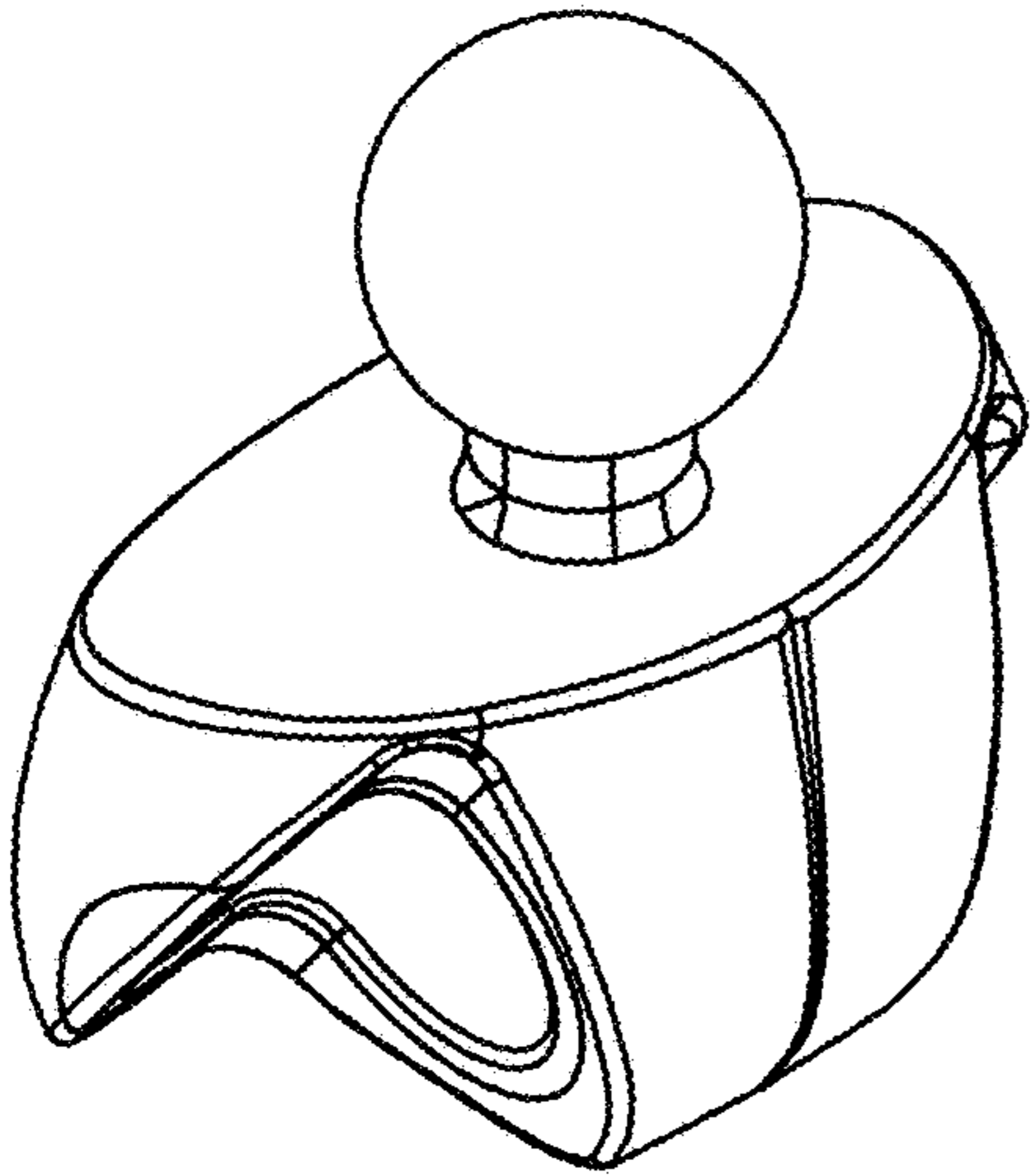


FIG. 1

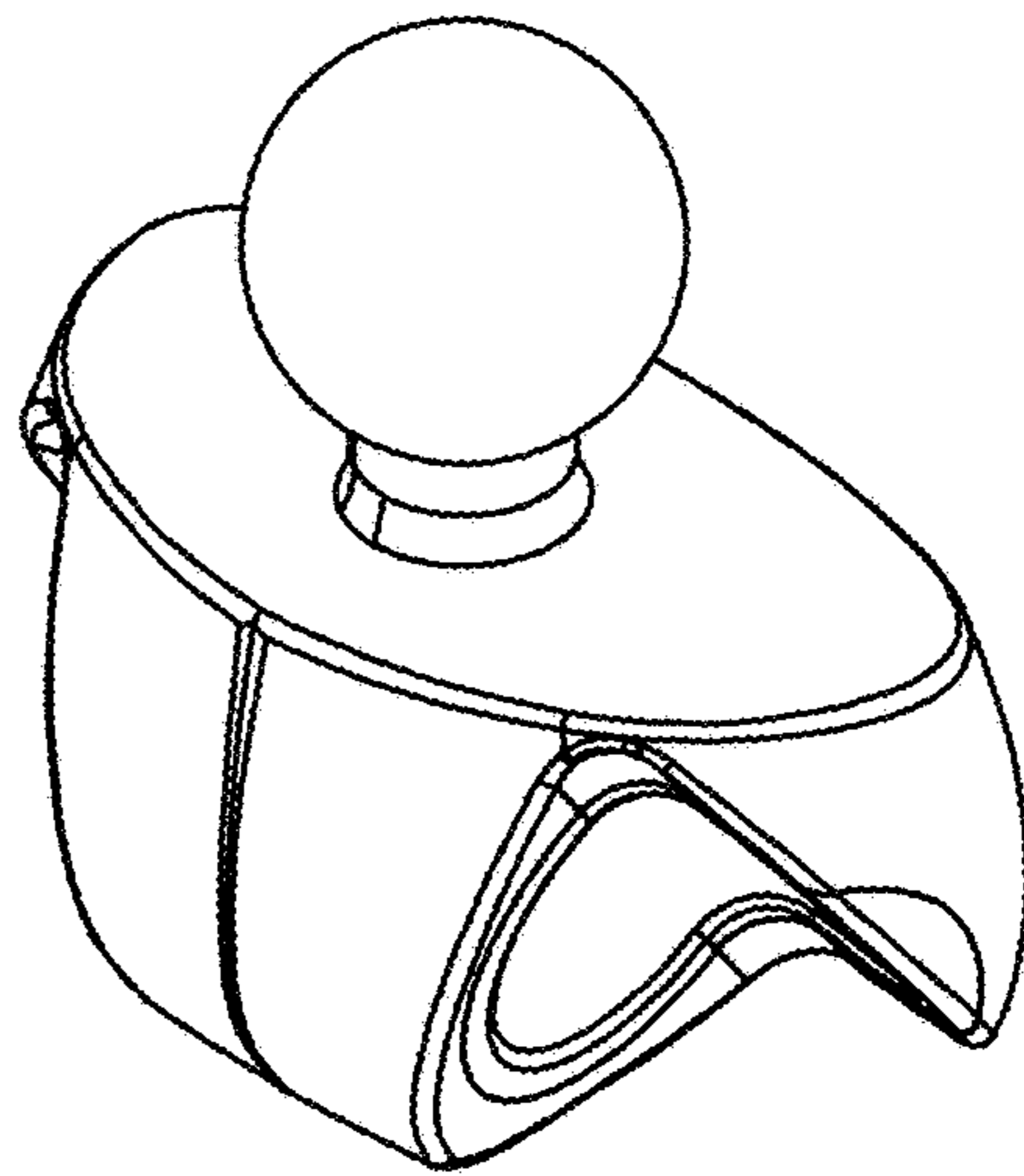


FIG. 2

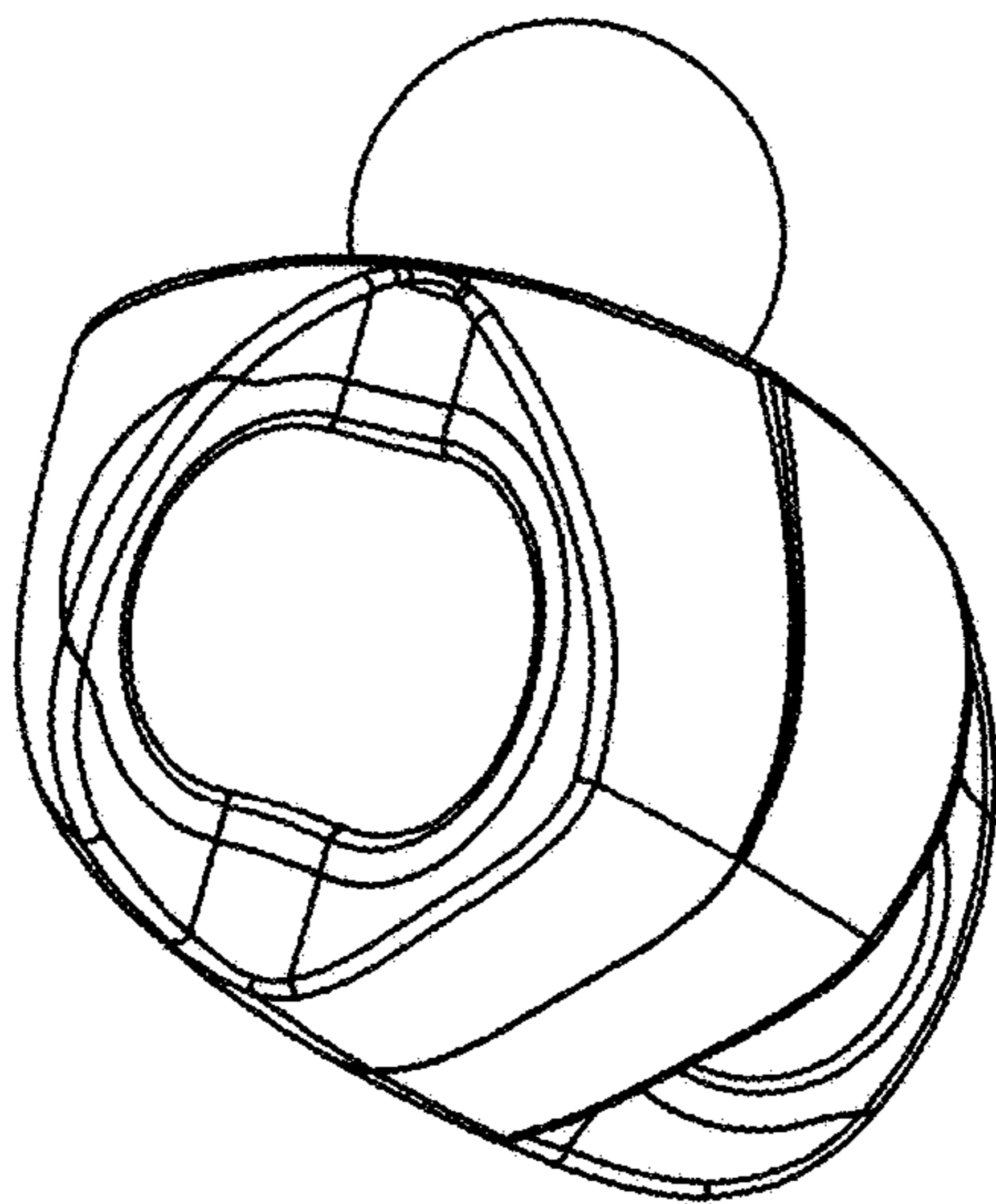


FIG. 3

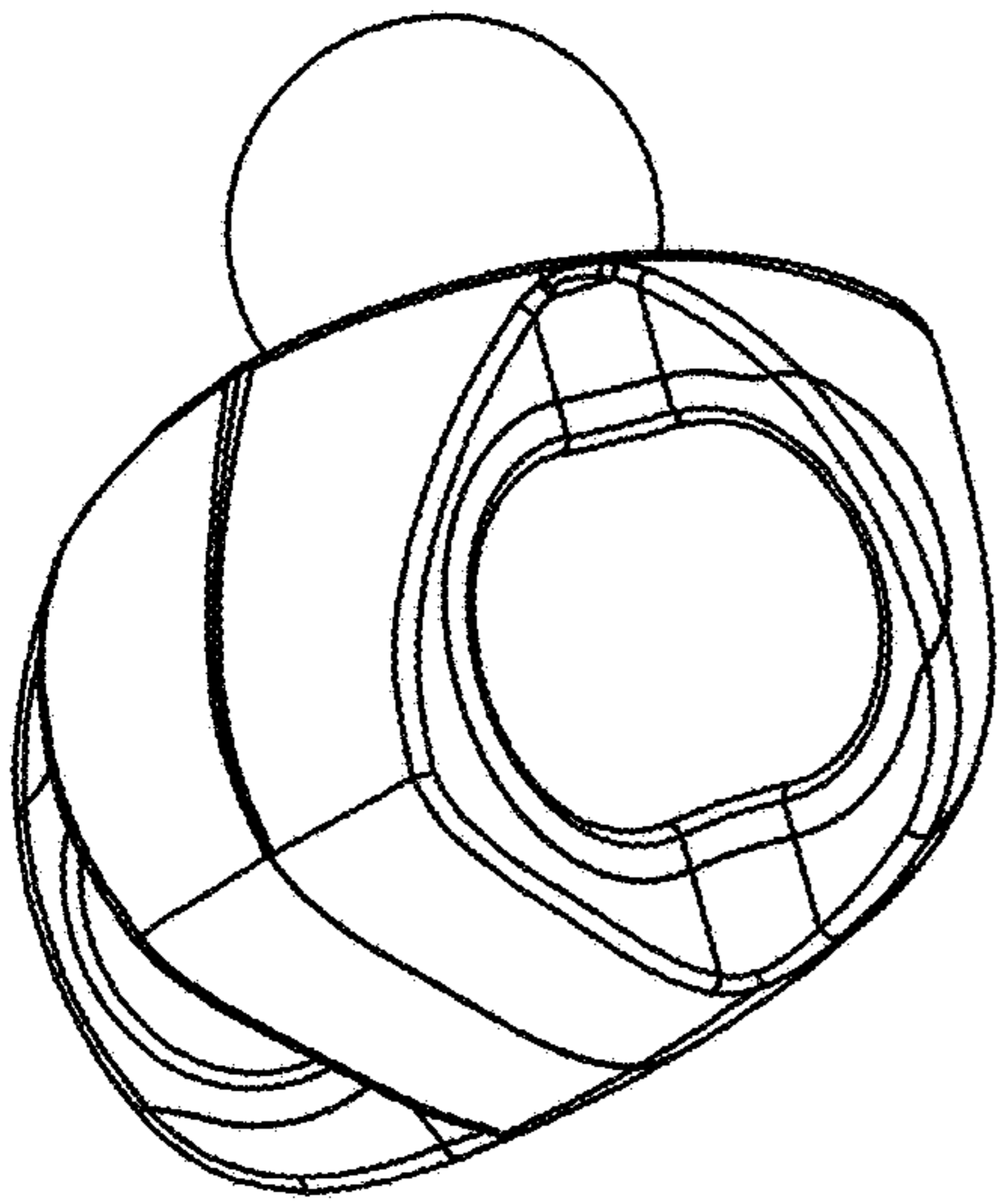


FIG. 4

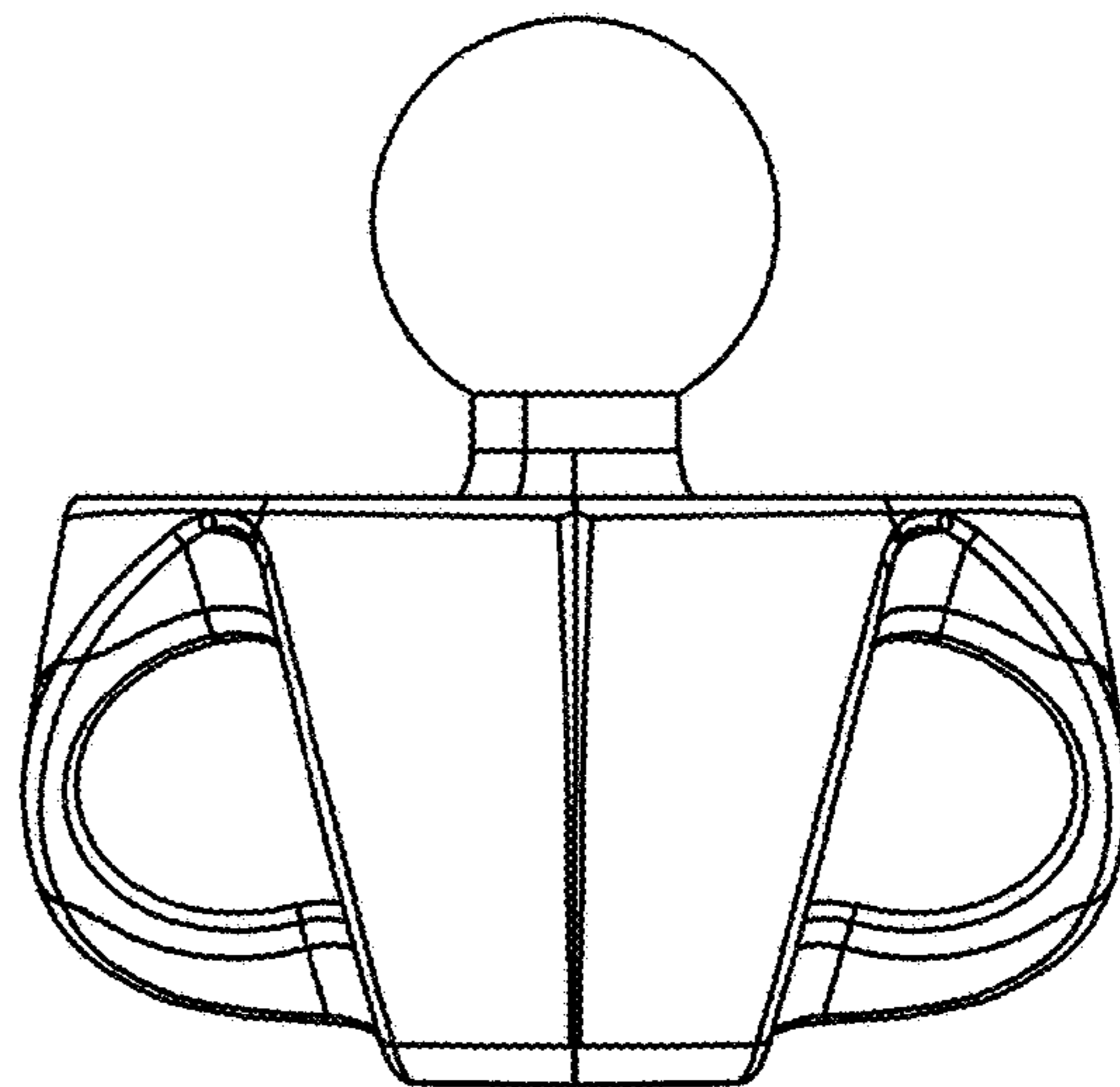


FIG. 5

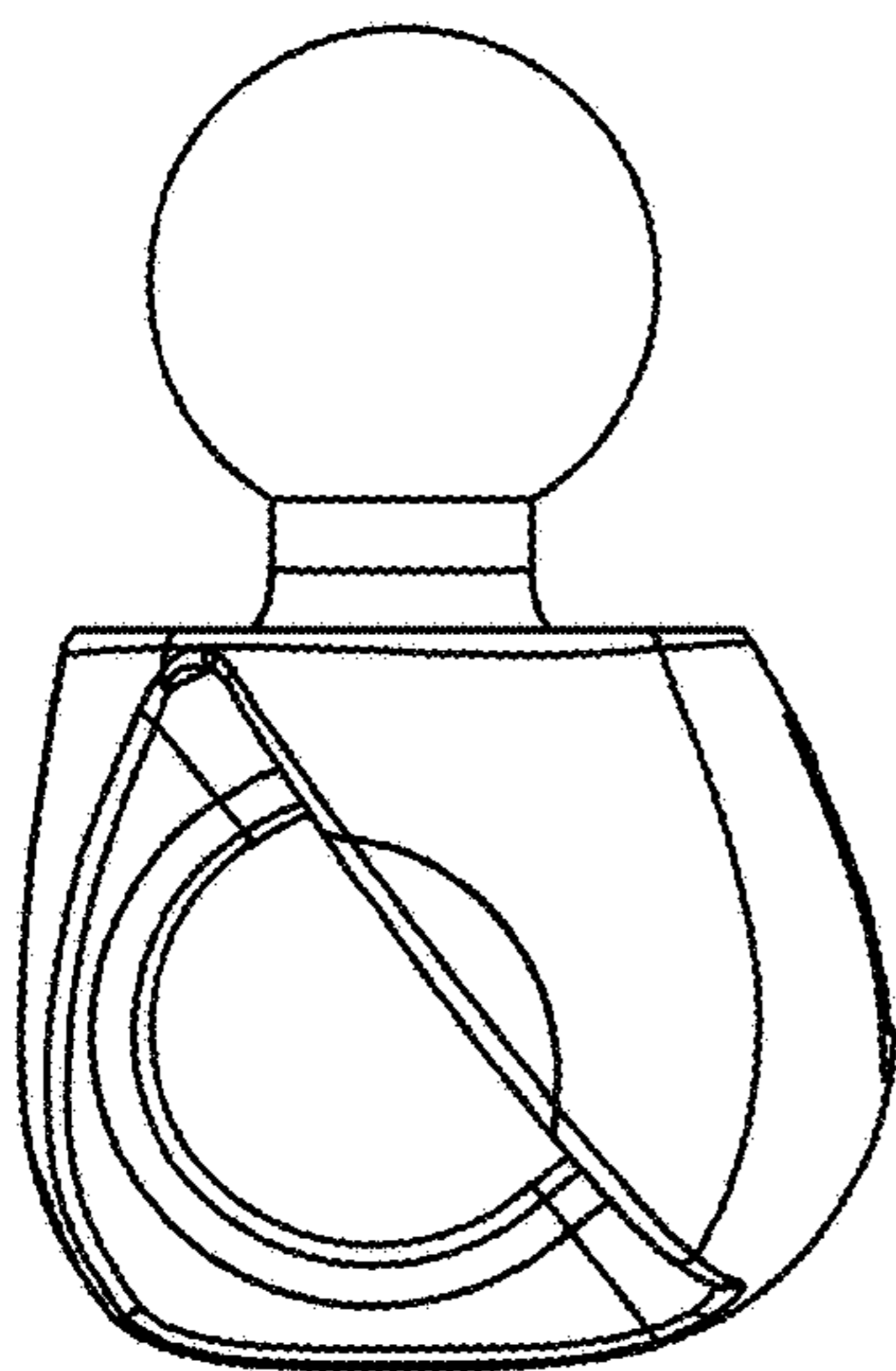


FIG. 6

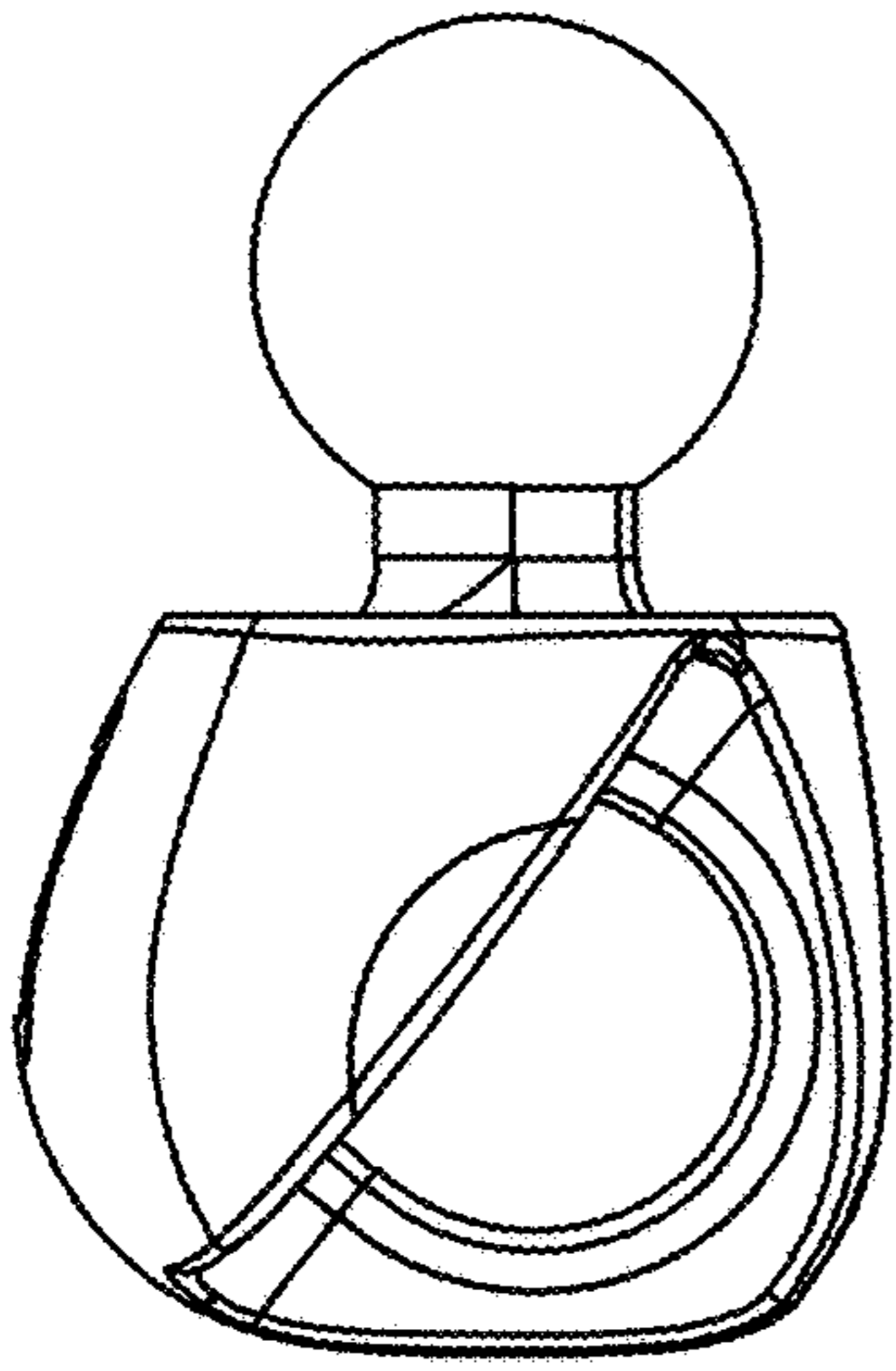


FIG. 7

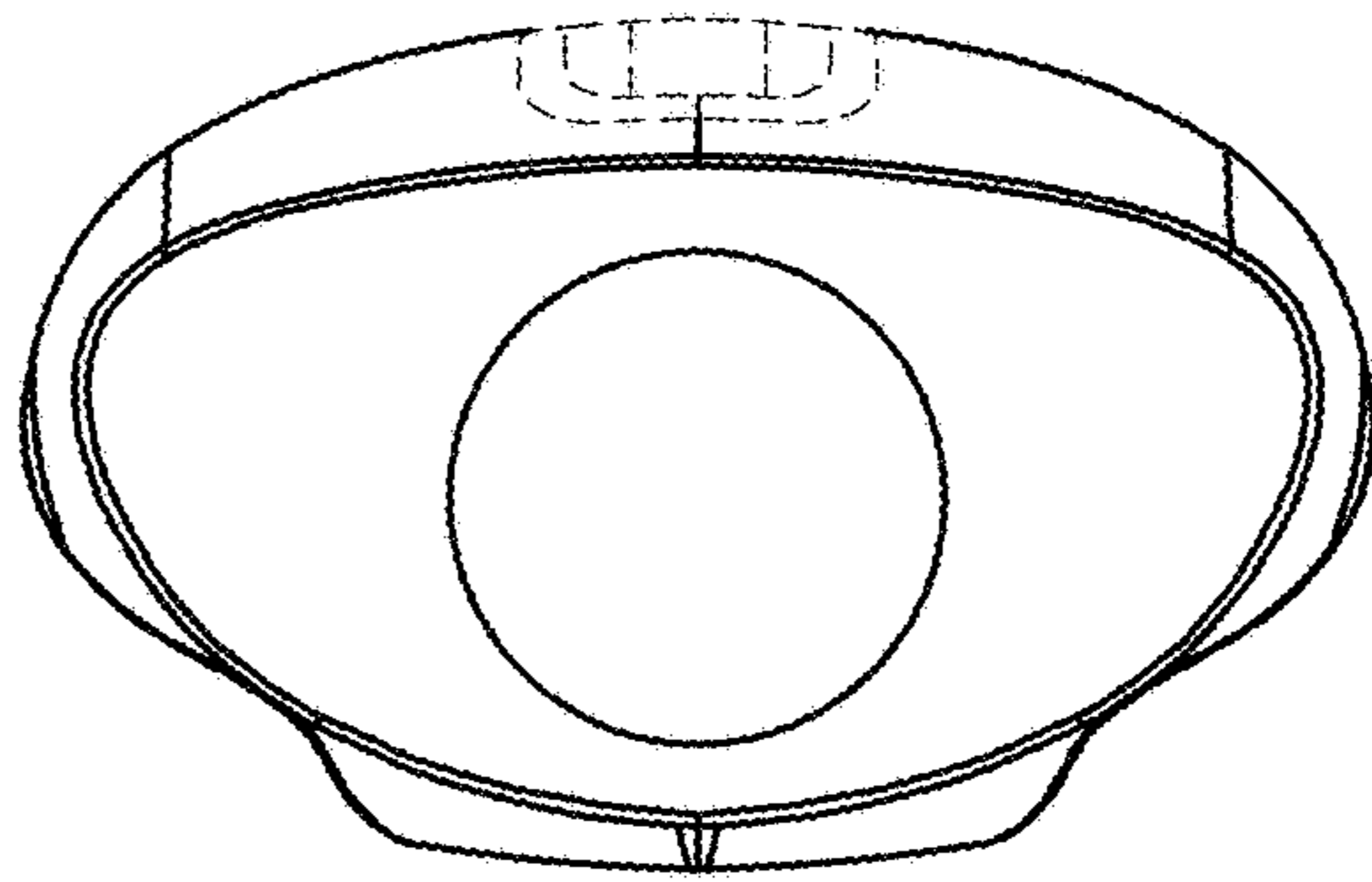


FIG. 8

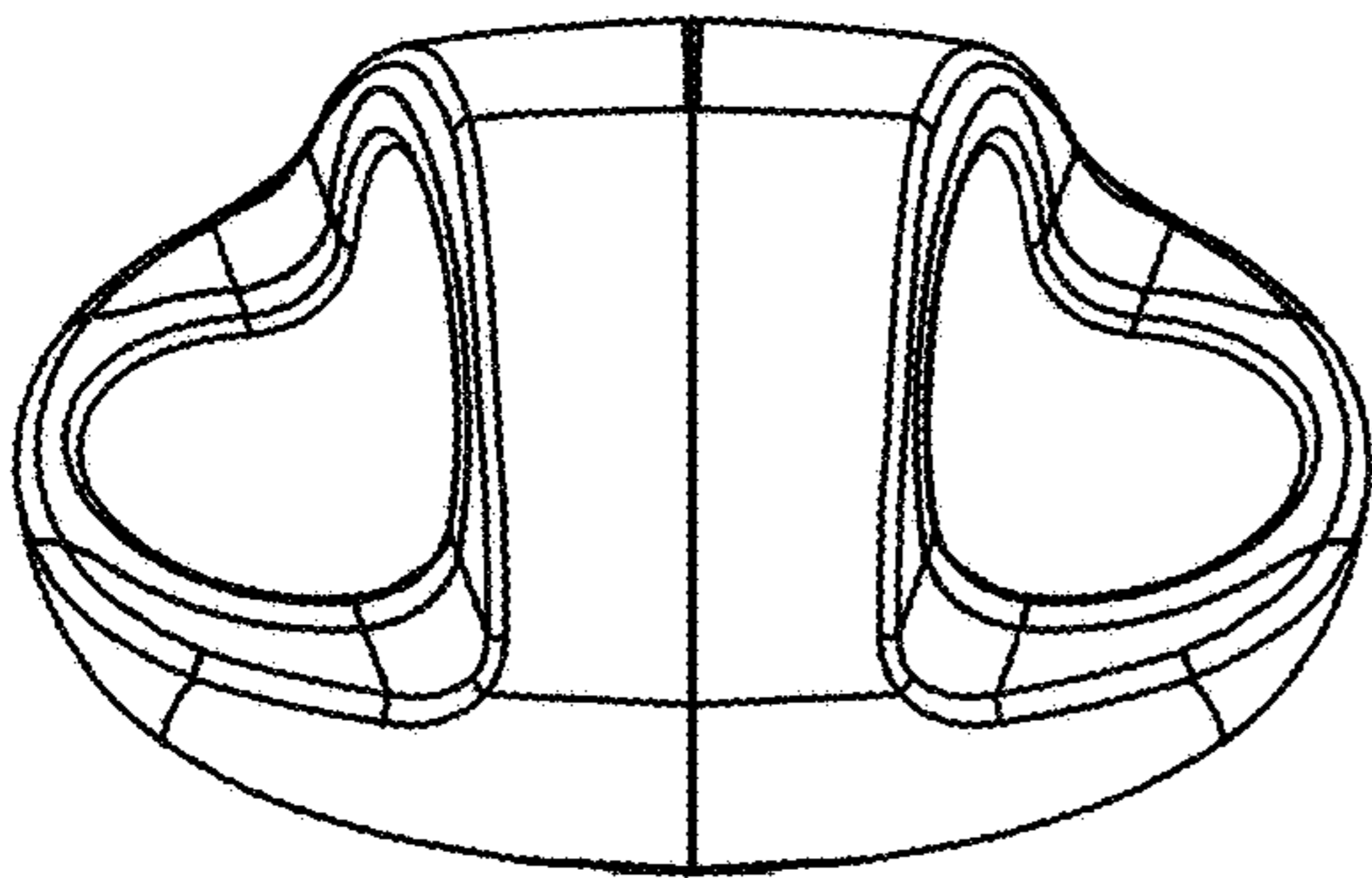


FIG. 9

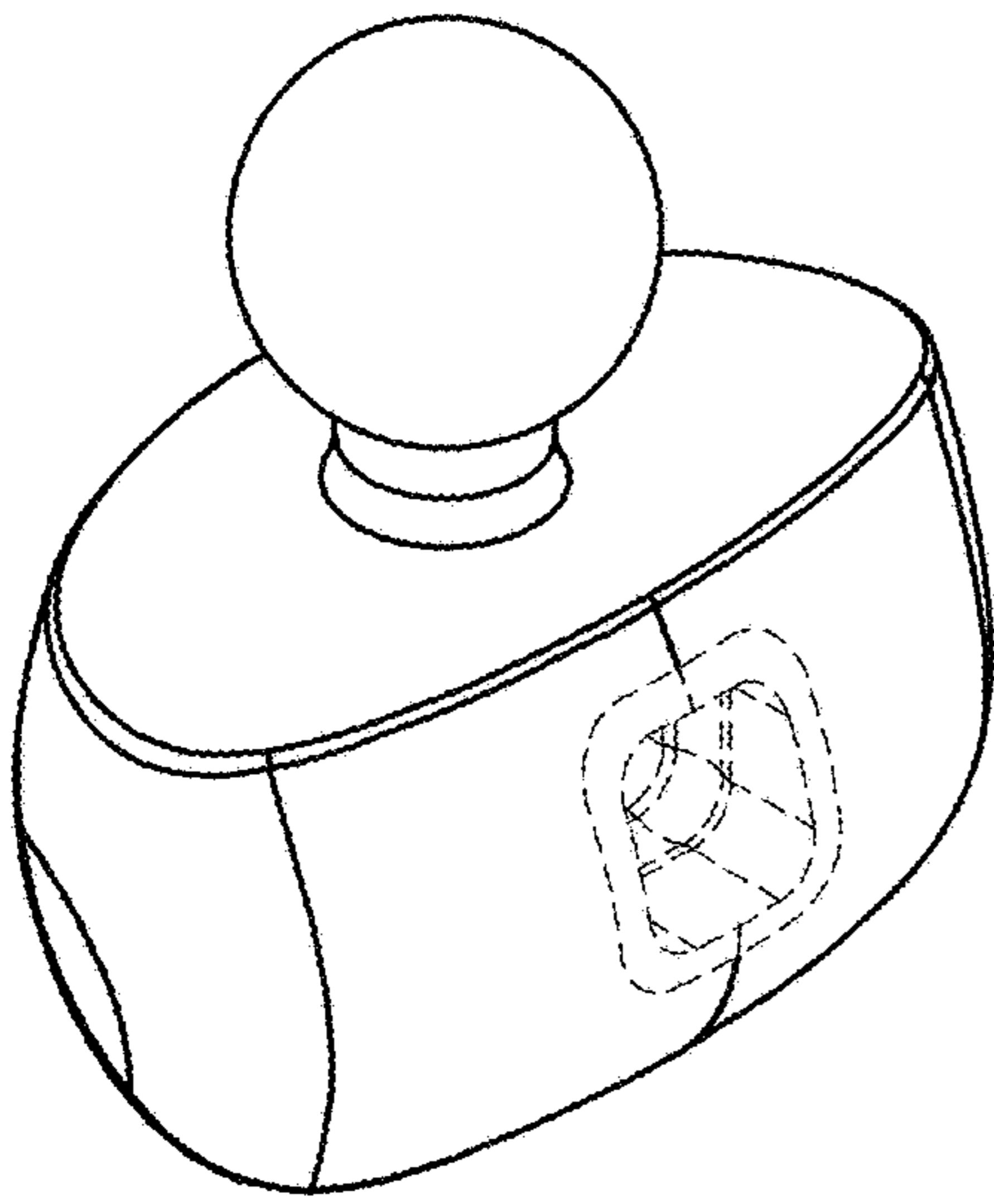


FIG. 10

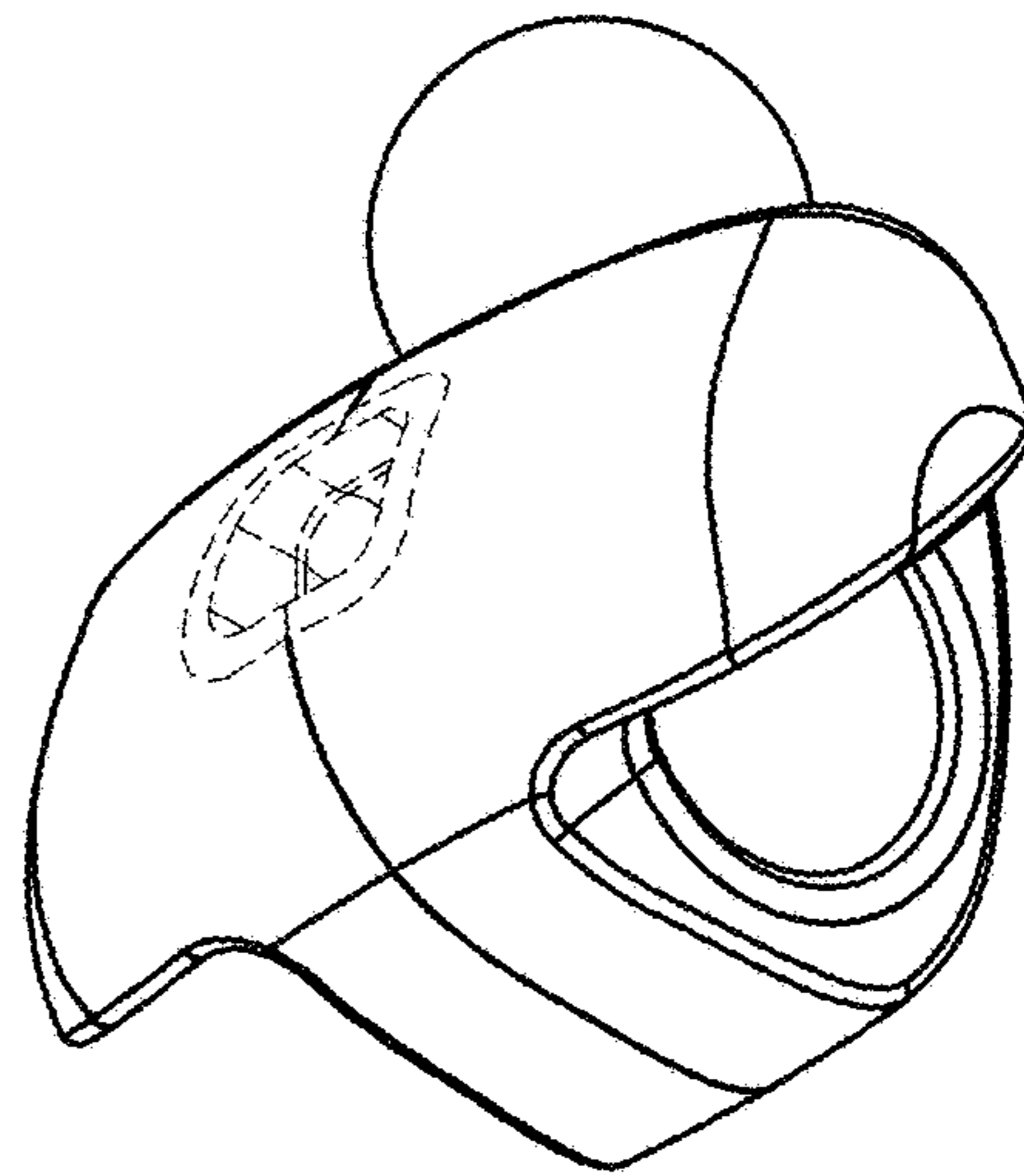


FIG. 11

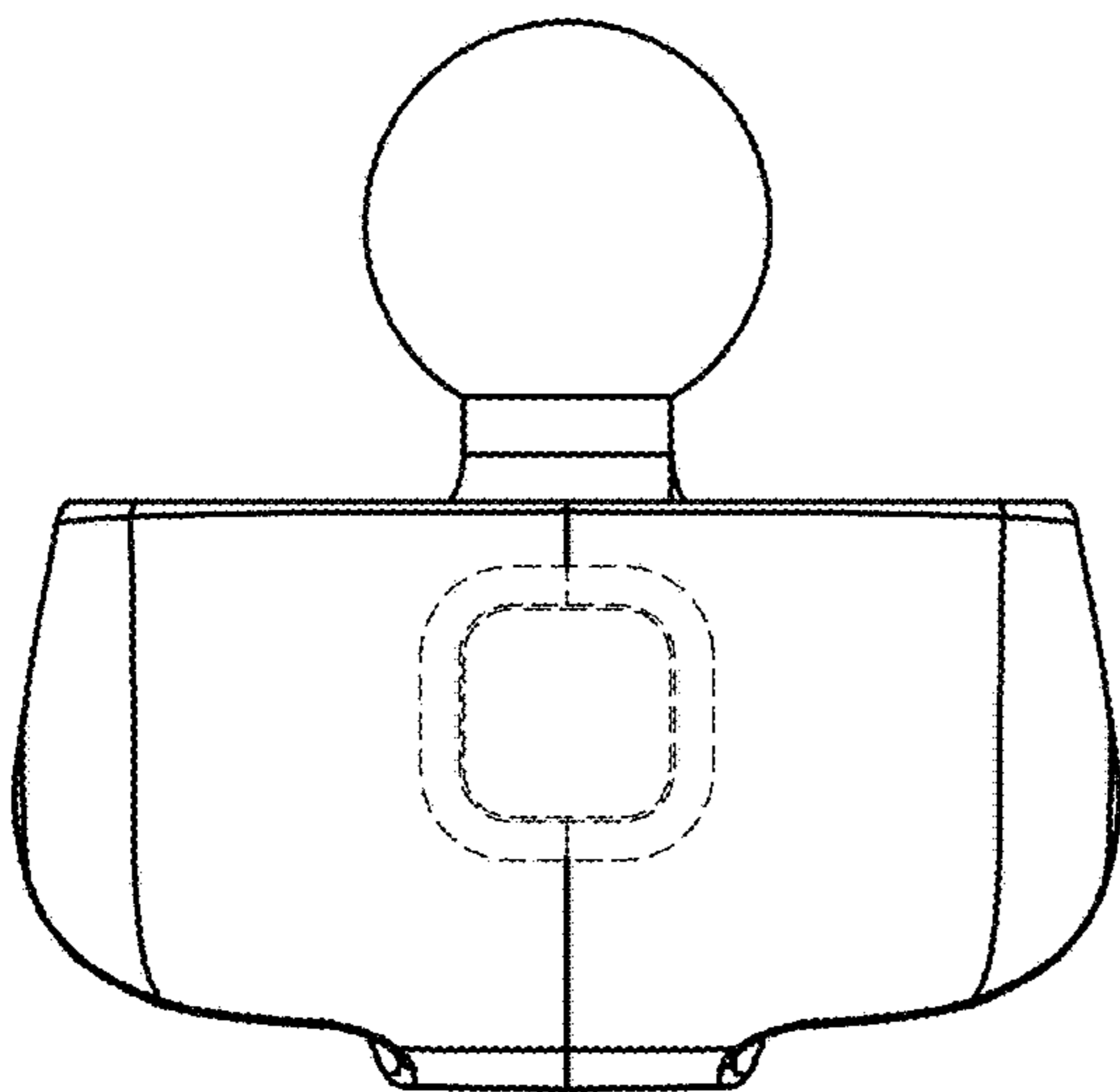


FIG. 12