

US00D800223S

(12) **United States Design Patent** (10) **Patent No.:** **US D800,223 S**
Navid (45) **Date of Patent:** **** Oct. 17, 2017**

(54) **CONTROLLER TRIGGER GRIP**
(71) Applicant: **dreamGEAR, LLC**, Torrance, CA (US)
(72) Inventor: **Amir Navid**, Sherman Oaks, CA (US)
(73) Assignee: **DREAMGEAR, LLC**, Torrance, CA (US)
(**) Term: **15 Years**
(21) Appl. No.: **29/584,861**
(22) Filed: **Nov. 17, 2016**
(51) **LOC (10) Cl.** **21-01**
(52) **U.S. Cl.**
USPC **D21/333**; D14/401
(58) **Field of Classification Search**
USPC D14/399-401, 412-418; D21/148 B;
463/1, 29-39, 46, 47; 345/156-161, 905
CPC .. A63F 13/02; A63F 9/24; A63F 13/12; A63F
9/00; A63F 11/00; A63F 71/00; G06F
3/02; G06F 3/033; G09G 5/00
See application file for complete search history.

D717,875 S * 11/2014 Uhrman D21/333
D730,451 S * 5/2015 Burgess D14/401
D736,762 S * 8/2015 Lovoi D14/333
D736,860 S * 8/2015 Lovoi D14/401
D769,982 S * 10/2016 Konishi D14/401

* cited by examiner

Primary Examiner — Prabhakar Deshmukh
(74) *Attorney, Agent, or Firm* — Karish & Bjorgum, PC

(57) **CLAIM**

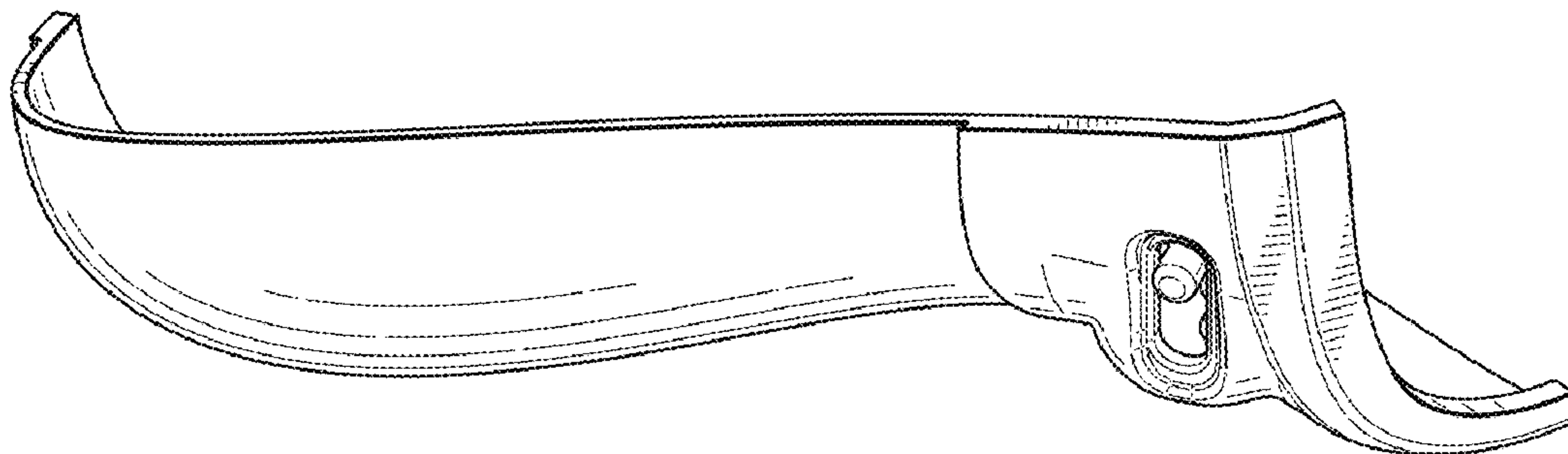
The ornamental design for a controller trigger grip, as shown and described.

DESCRIPTION

FIG. 1 is front perspective view of a controller trigger grip of the invention.
FIG. 2 is a back perspective view of the controller trigger grip of FIG. 1.
FIG. 3 is front view of the controller trigger grip of FIG. 1.
FIG. 4 is back view of the controller trigger grip of FIG. 1.
FIG. 5 is left side view of the controller trigger grip of FIG. 1.
FIG. 6 is a right side view of the controller trigger grip of FIG. 1.
FIG. 7 is a top view of the controller trigger grip of FIG. 1; and,
FIG. 8 is a bottom view of the controller trigger grip of FIG. 1.
The broken lines shown represent unclaimed subject matter and form no part of the claimed design.

1 Claim, 3 Drawing Sheets

(56) **References Cited**
U.S. PATENT DOCUMENTS
6,512,511 B2 * 1/2003 Willner A63F 13/06
345/156
7,063,321 B2 * 6/2006 Hussaini A63F 13/06
273/148 B
7,235,012 B2 * 6/2007 DiDato A63F 13/06
273/148 B
7,762,553 B2 * 7/2010 Harris A63F 13/02
273/148 B
D640,696 S * 6/2011 Lovoi D14/401
D640,697 S * 6/2011 Lovoi D14/401



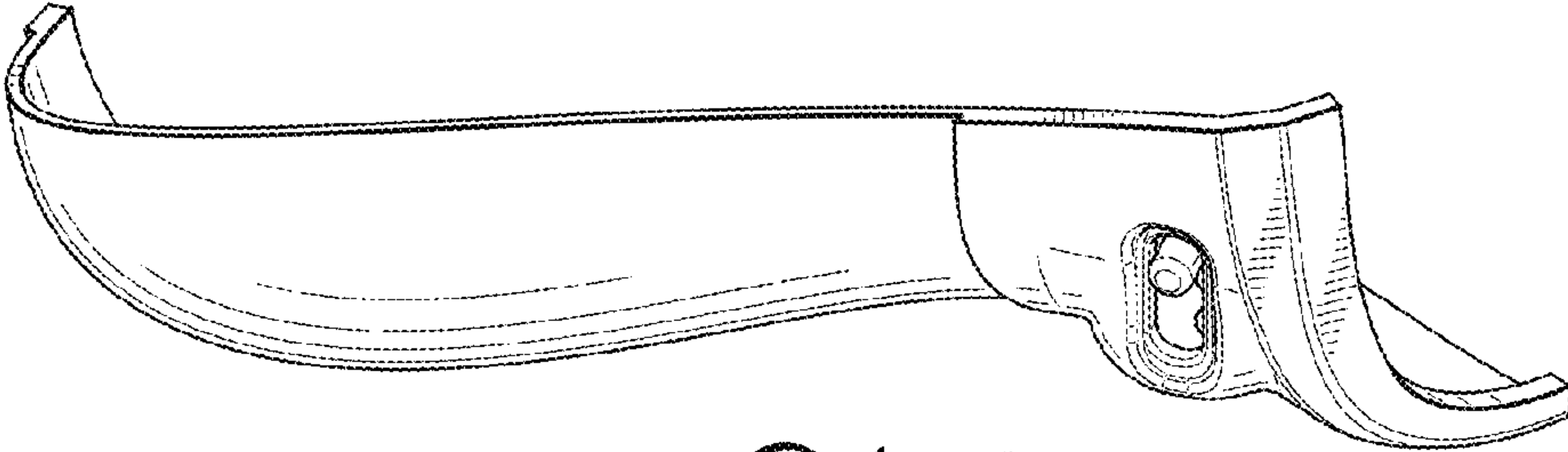


FIG. 1

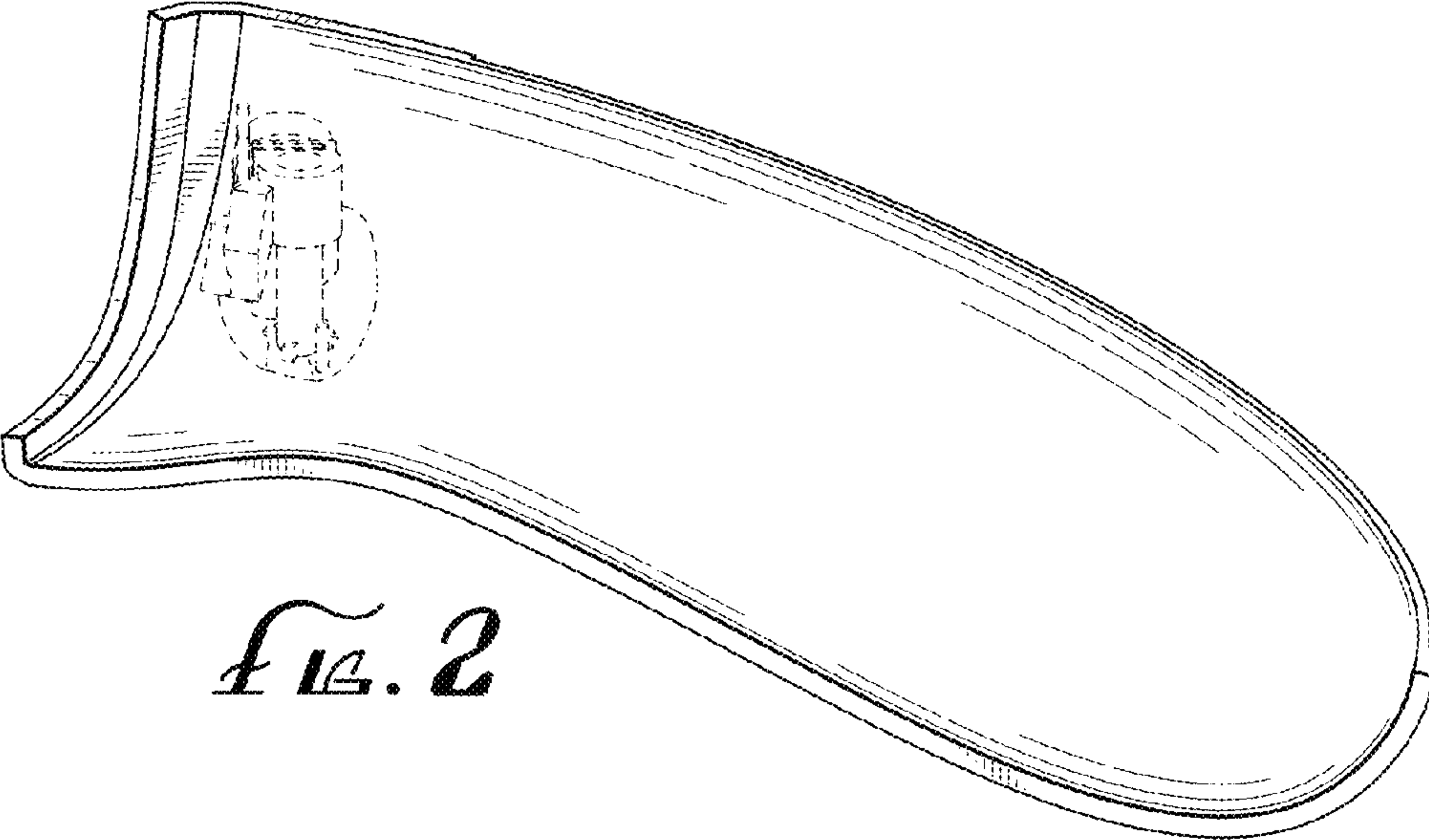


FIG. 2



FIG. 3



FIG. 4

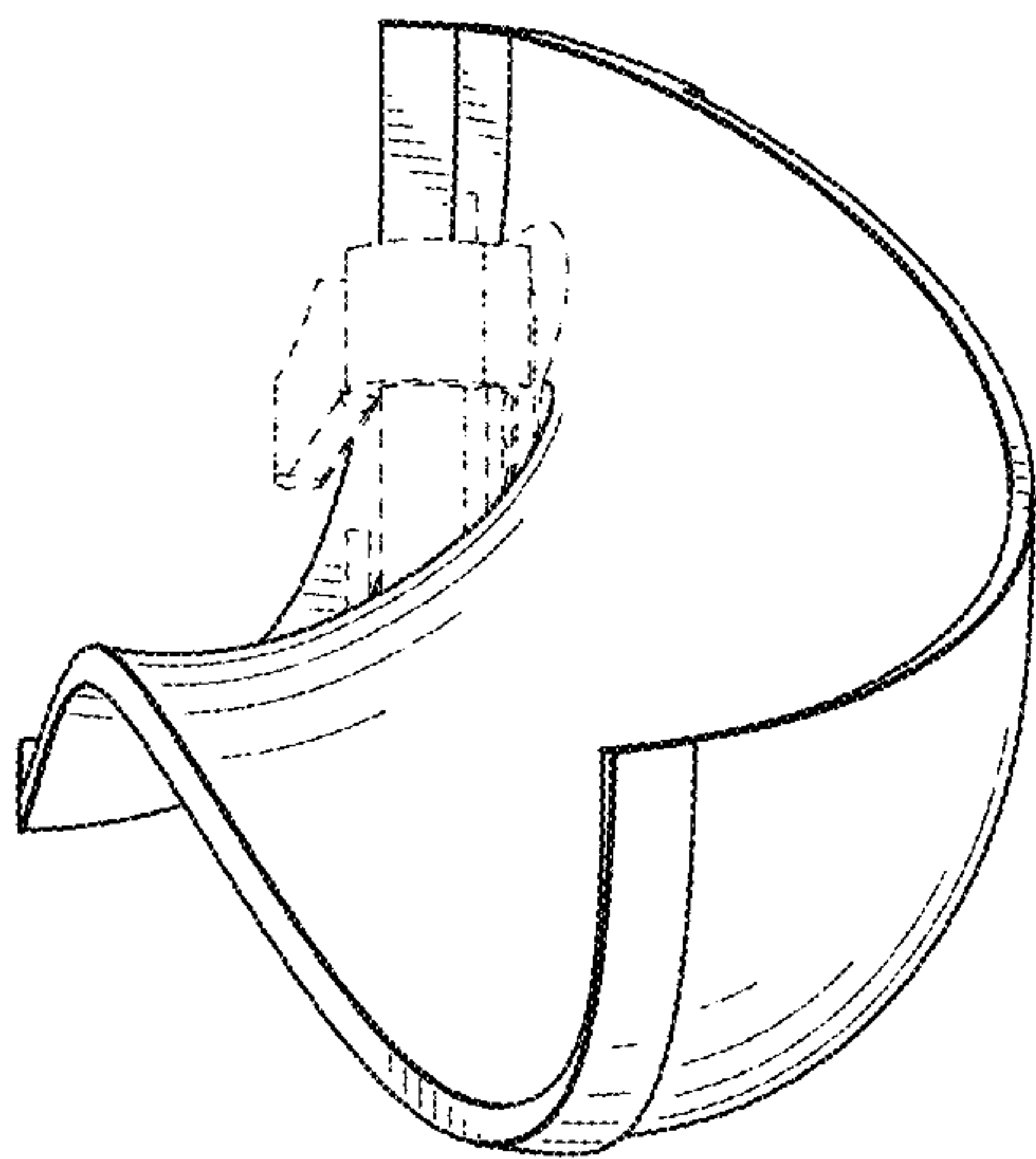


FIG. 5

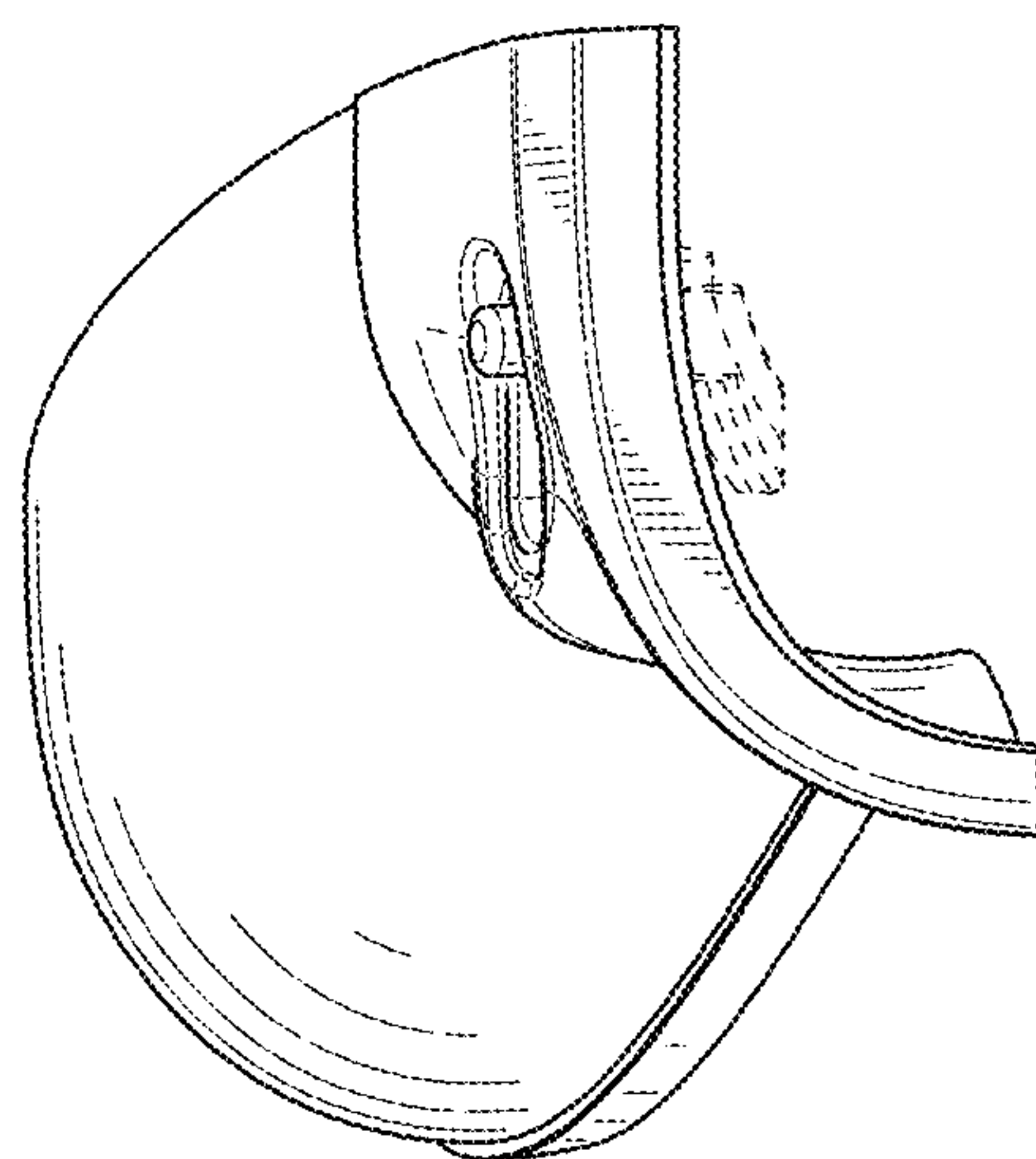


FIG. 6

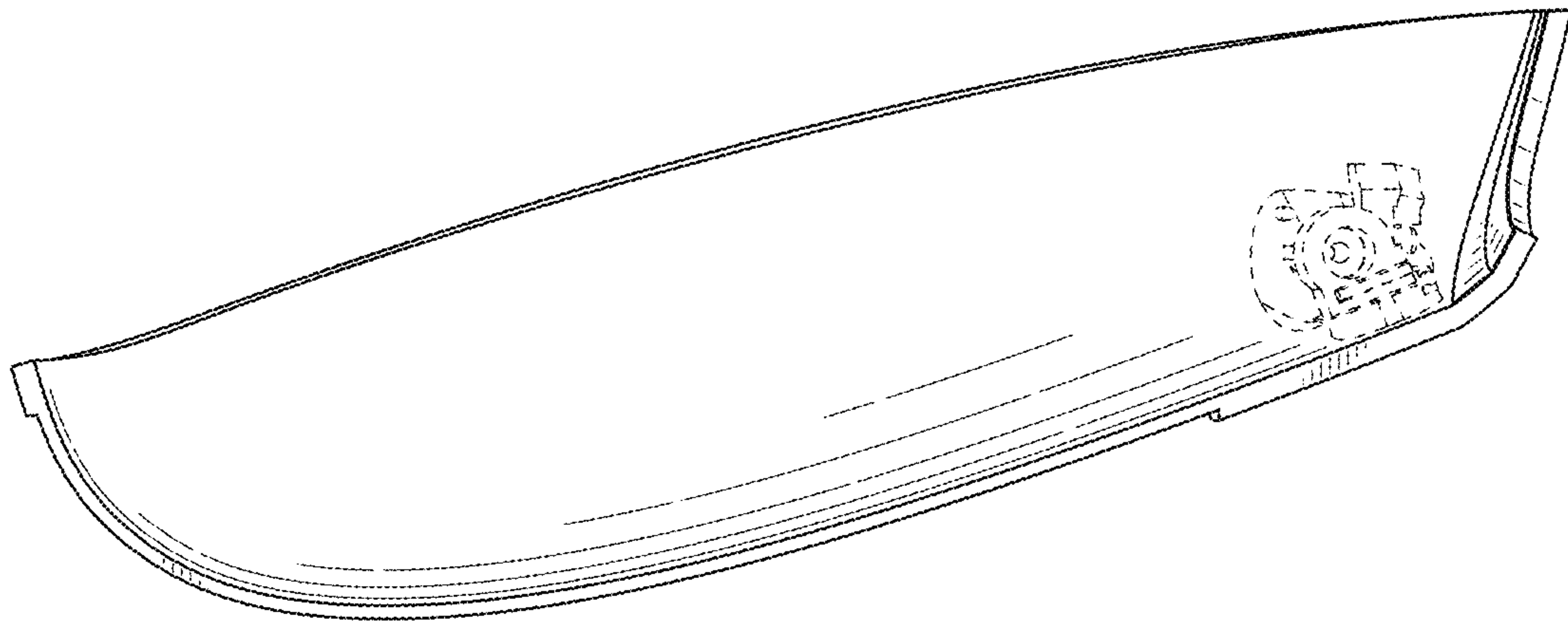


FIG. 7

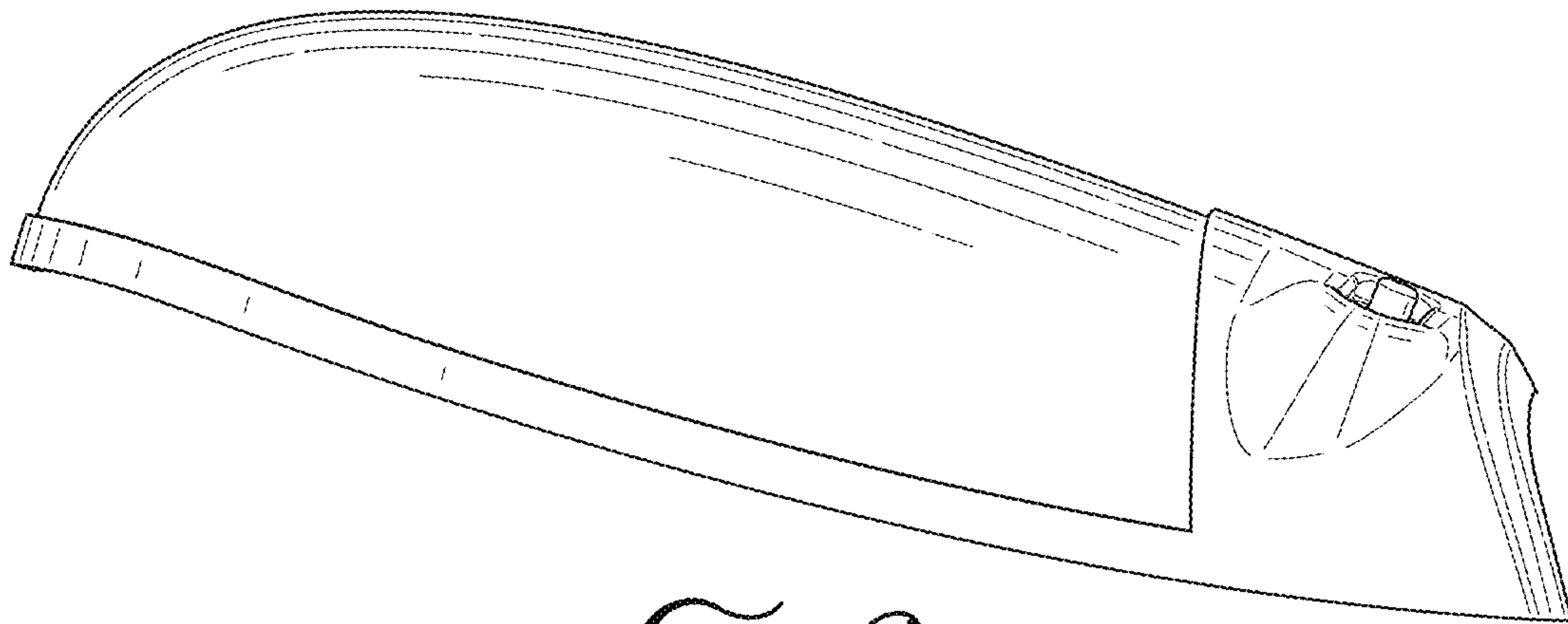


FIG. 8