



US00D800222S

(12) **United States Design Patent** (10) **Patent No.:** **US D800,222 S**  
**Graham** (45) **Date of Patent:** **\*\* Oct. 17, 2017**

(54) **PORTABLE SIGN**

(71) Applicant: **Matthew R. Graham**, Santa Rosa, CA (US)

(72) Inventor: **Matthew R. Graham**, Santa Rosa, CA (US)

(\*\*) Term: **14 Years**

(21) Appl. No.: **29/525,428**

(22) Filed: **Apr. 29, 2015**

(51) **LOC (10) Cl.** ..... **20-03**

(52) **U.S. Cl.**  
USPC ..... **D20/29**

(58) **Field of Classification Search**

USPC ..... D20/10, 19, 22-29, 40, 42, 99;  
D10/109.1, 113.4; D19/1, 6, 9, 10, 113  
CPC . G09F 1/00; G09F 1/0002; G09F 3/00; G09F  
3/028; G09F 7/00; G09F 13/00; G09F  
23/04; A63H 3/52

See application file for complete search history.

(56) **References Cited**

**U.S. PATENT DOCUMENTS**

D291,454 S *	8/1987	Broadfoot	.....	D20/40
D361,347 S *	8/1995	Adler	.....	D19/113
D364,642 S *	11/1995	Adler	.....	D19/113
D414,516 S *	9/1999	Lopez	.....	D10/109.1
D565,115 S *	3/2008	Chamberlain	.....	D20/29
D565,116 S *	3/2008	Chamberlain	.....	D20/29
D744,034 S *	11/2015	Nguyen	.....	D19/113
2012/0285059 A1 *	11/2012	Fisk	.....	A63H 3/52 40/661.01

\* cited by examiner

*Primary Examiner* — Mary Ann Calabrese

(74) *Attorney, Agent, or Firm* — Edward S. Sherman

(57) **CLAIM**

The ornamental design for a “portable sign,” as shown and described.

**DESCRIPTION**

FIG. 1 is a front plan view of a first embodiment of the “portable sign”;

FIG. 2 is a bottom elevation view thereof;

FIG. 3 is a top elevation view thereof;

FIG. 4 is a back plan view thereof;

FIG. 5 is a right side elevation plan view thereof;

FIG. 6 is a left side elevation view thereof;

FIG. 7 is a cross sectional partial elevation view at an expanded scale corresponding to section lines 7-7 in FIG. 4;

FIG. 8 is a front plan view of a second embodiment of the “portable sign”;

FIG. 9 is a bottom elevation view thereof;

FIG. 10 is a top elevation view thereof;

FIG. 11 is a back plan view thereof;

FIG. 12 is a right side elevation plan view thereof;

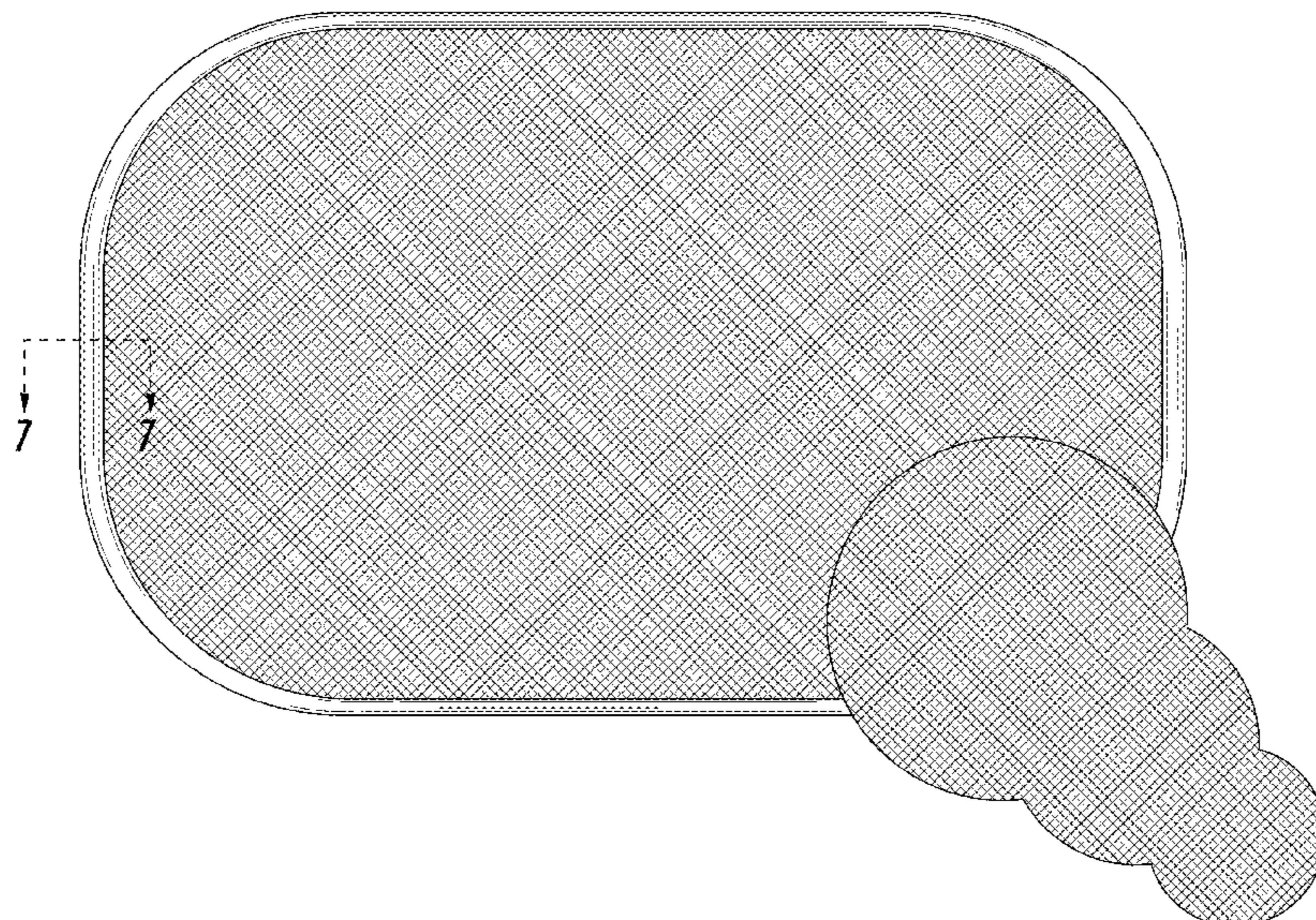
FIG. 13 is a left side elevation view thereof; and,

FIG. 14 is a cross sectional partial elevation view at an expanded scale corresponding to section lines 14-14 in FIG. 11.

The dot-dot-dash broken lines on the back in FIGS. 4 and 11 show the boundaries of the claimed design and form no part thereof. All other broken lines form no part of the claimed design.

The portable sign is shown with a symbolic break in its length and width in the second embodiment. The appearance of any portion of the article between the break lines forms no part of the claimed design.

**1 Claim, 8 Drawing Sheets**



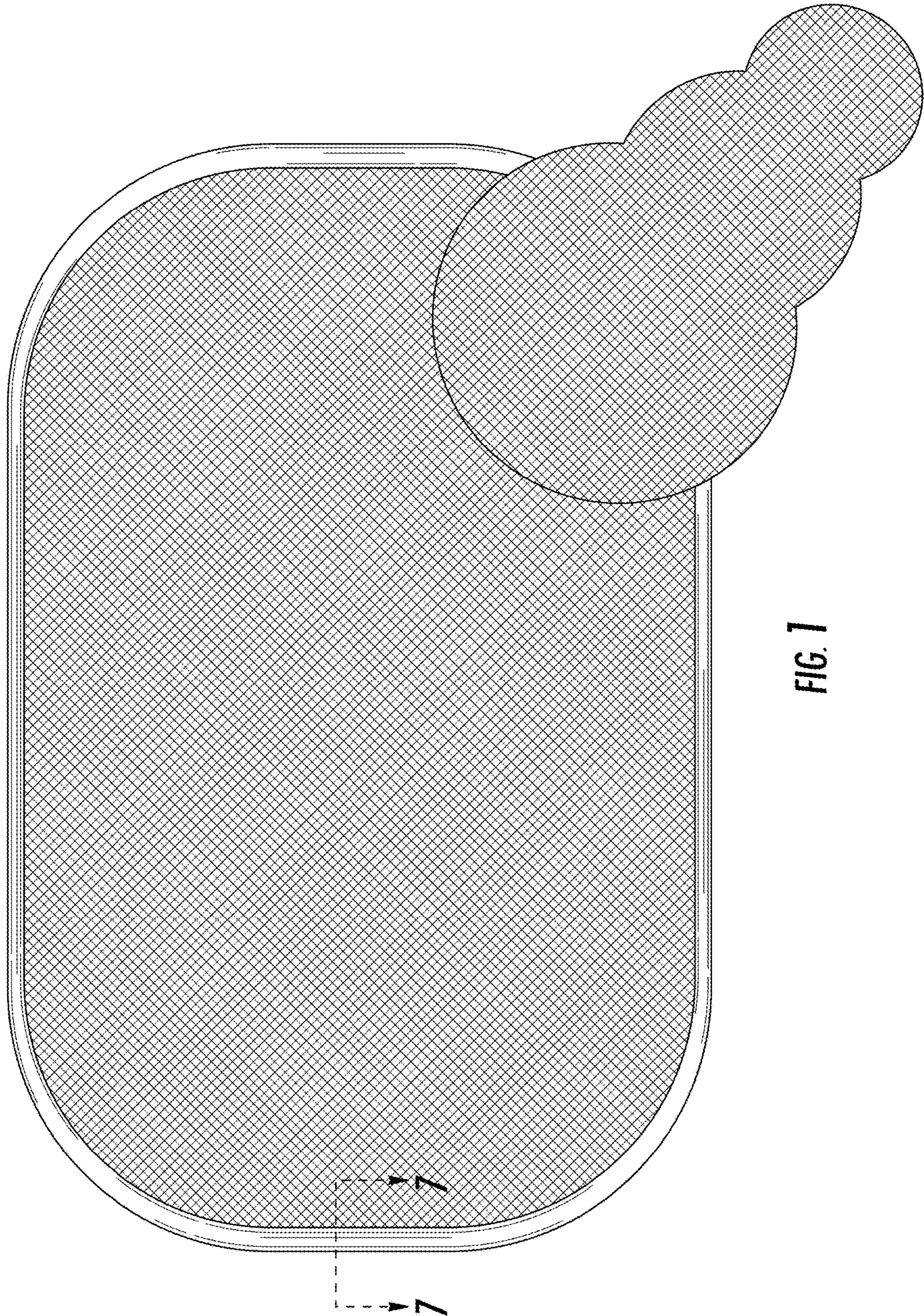


FIG. 1

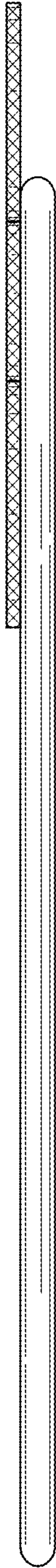


FIG. 2

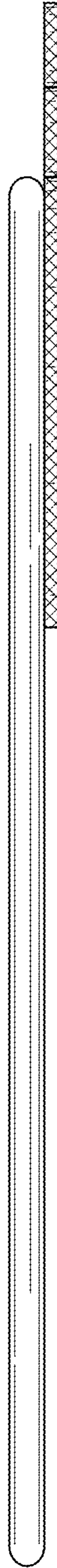


FIG. 3

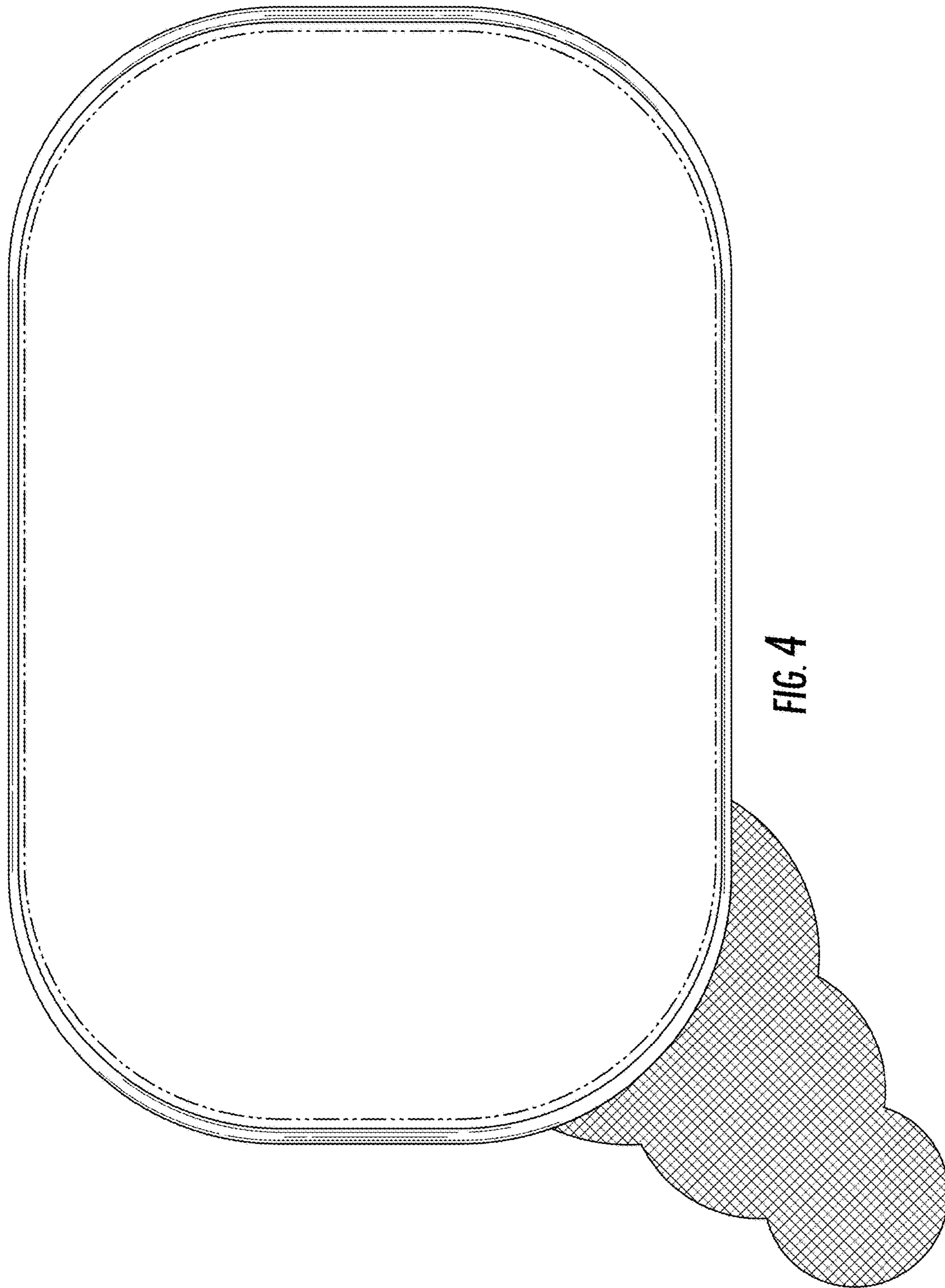


FIG. 4

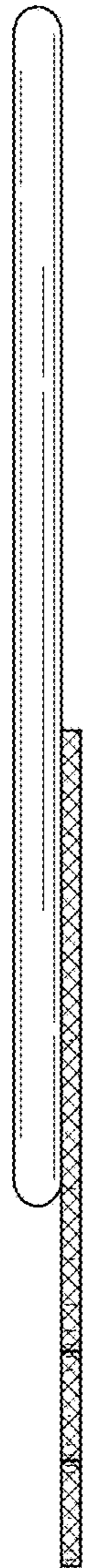


FIG. 5

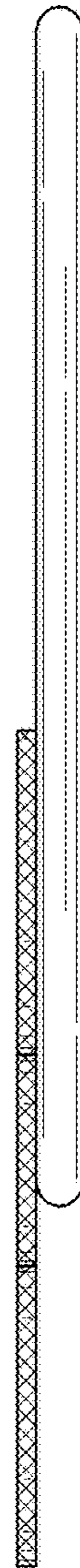


FIG. 6

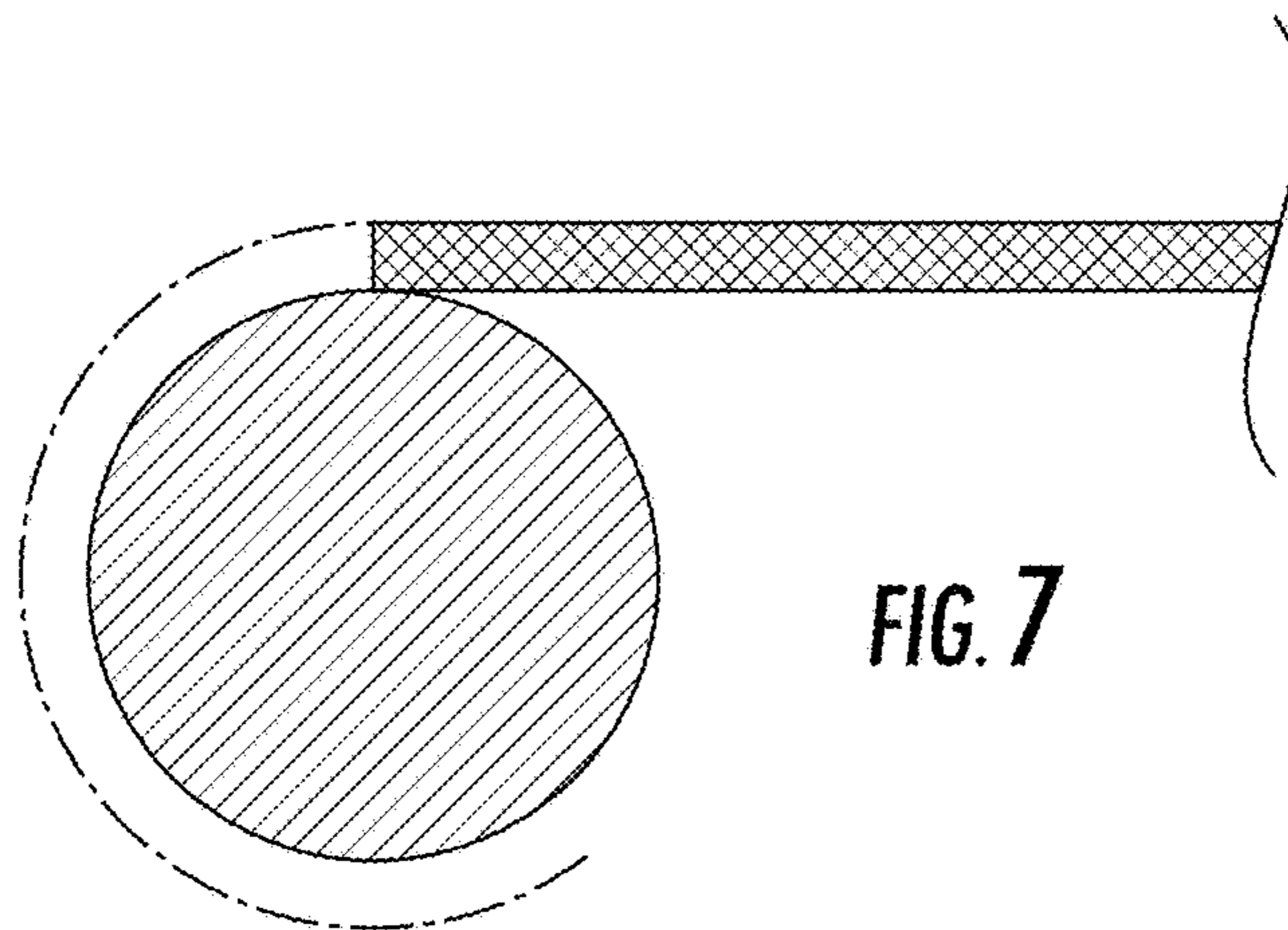


FIG. 7

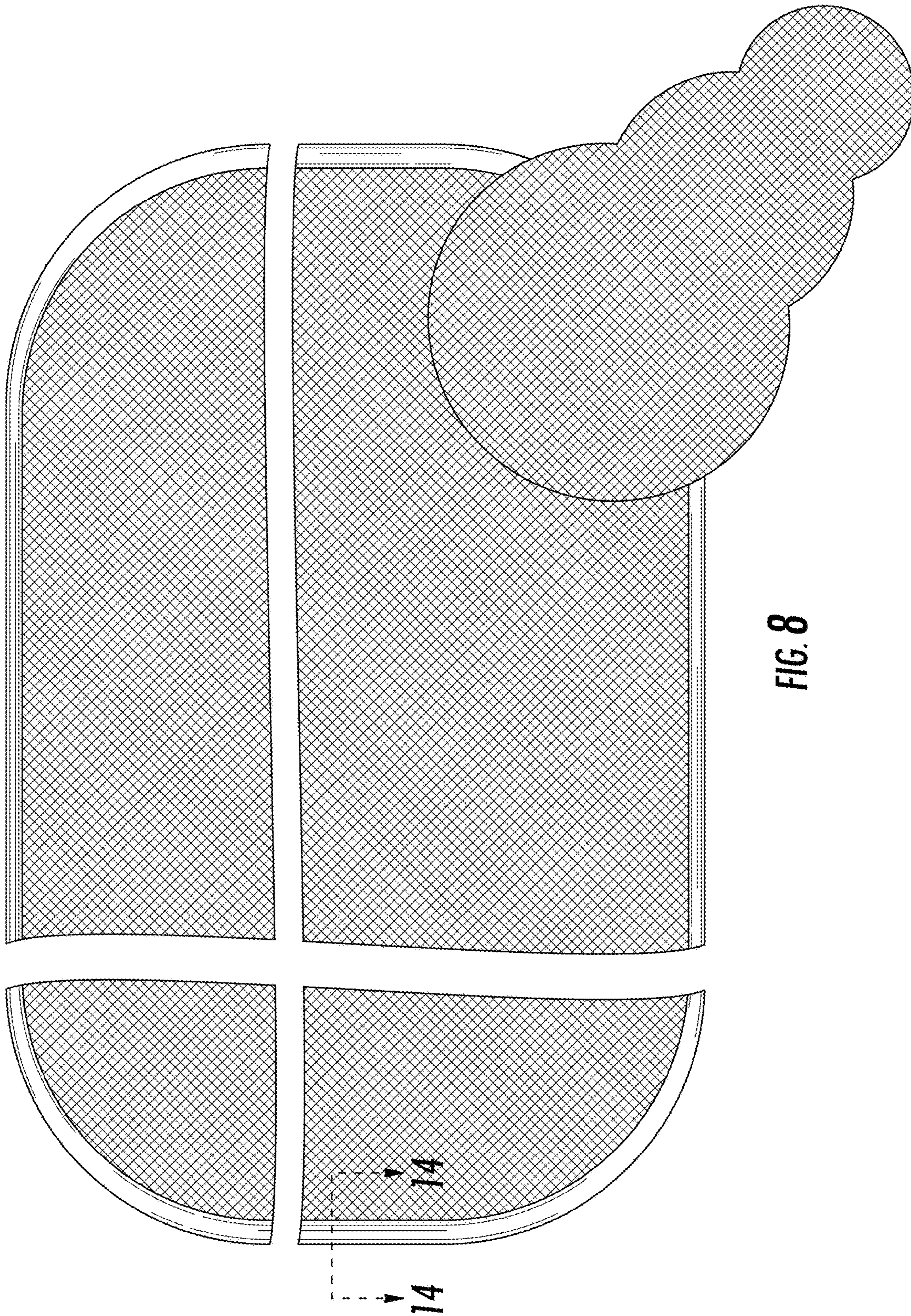
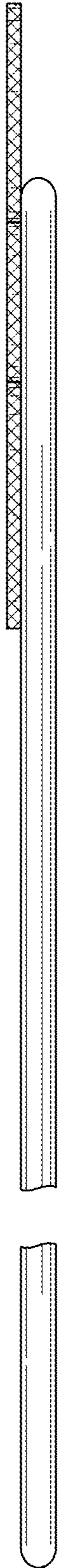
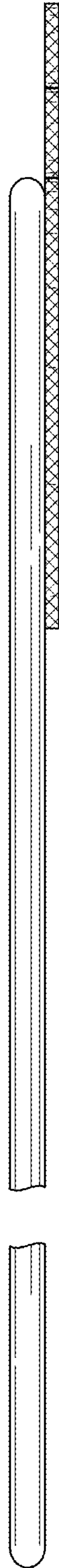


FIG. 8



**FIG. 9**



**FIG. 10**

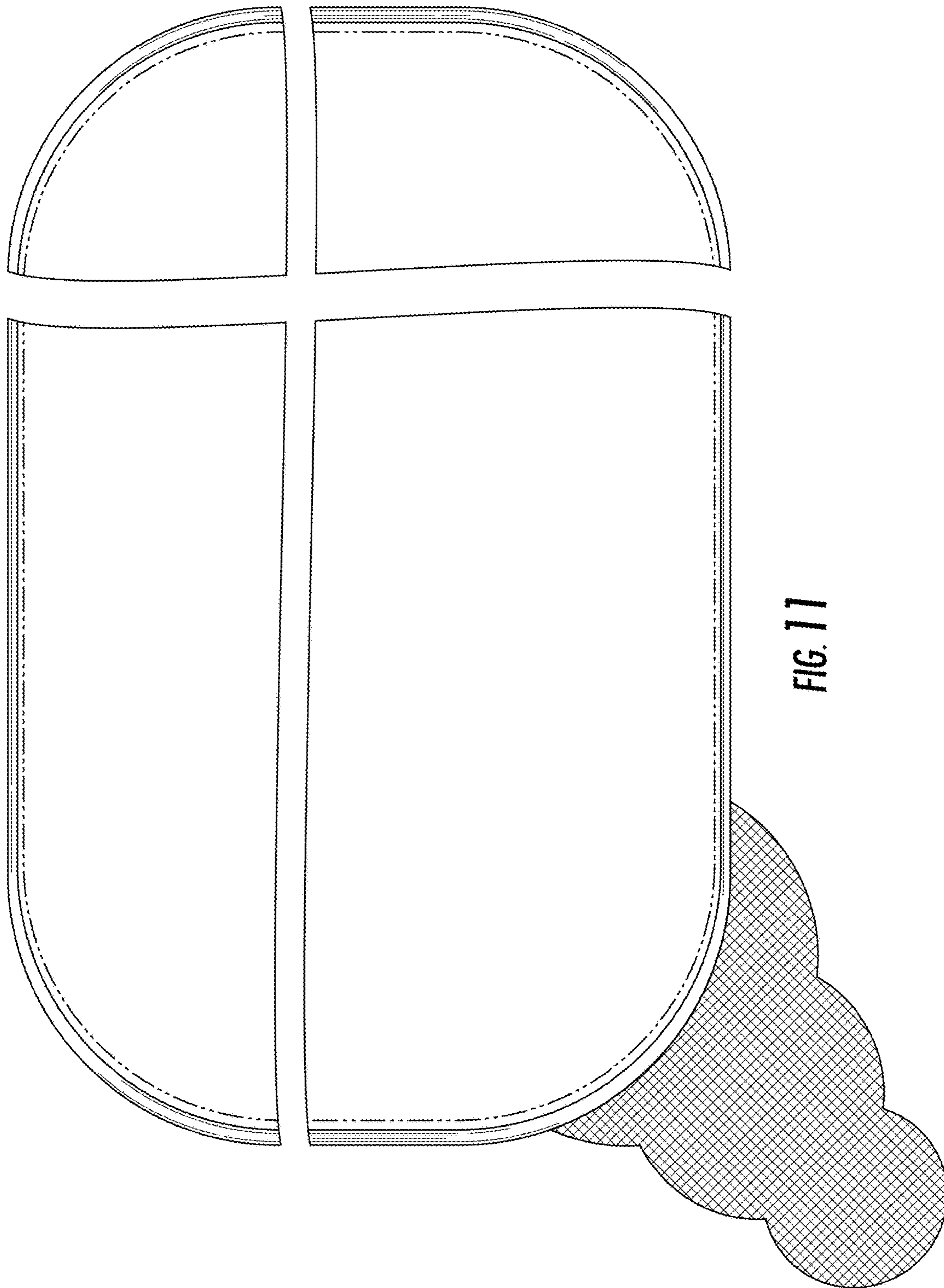


FIG. 11





FIG. 12

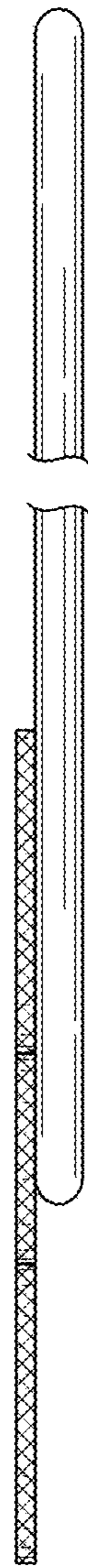


FIG. 13

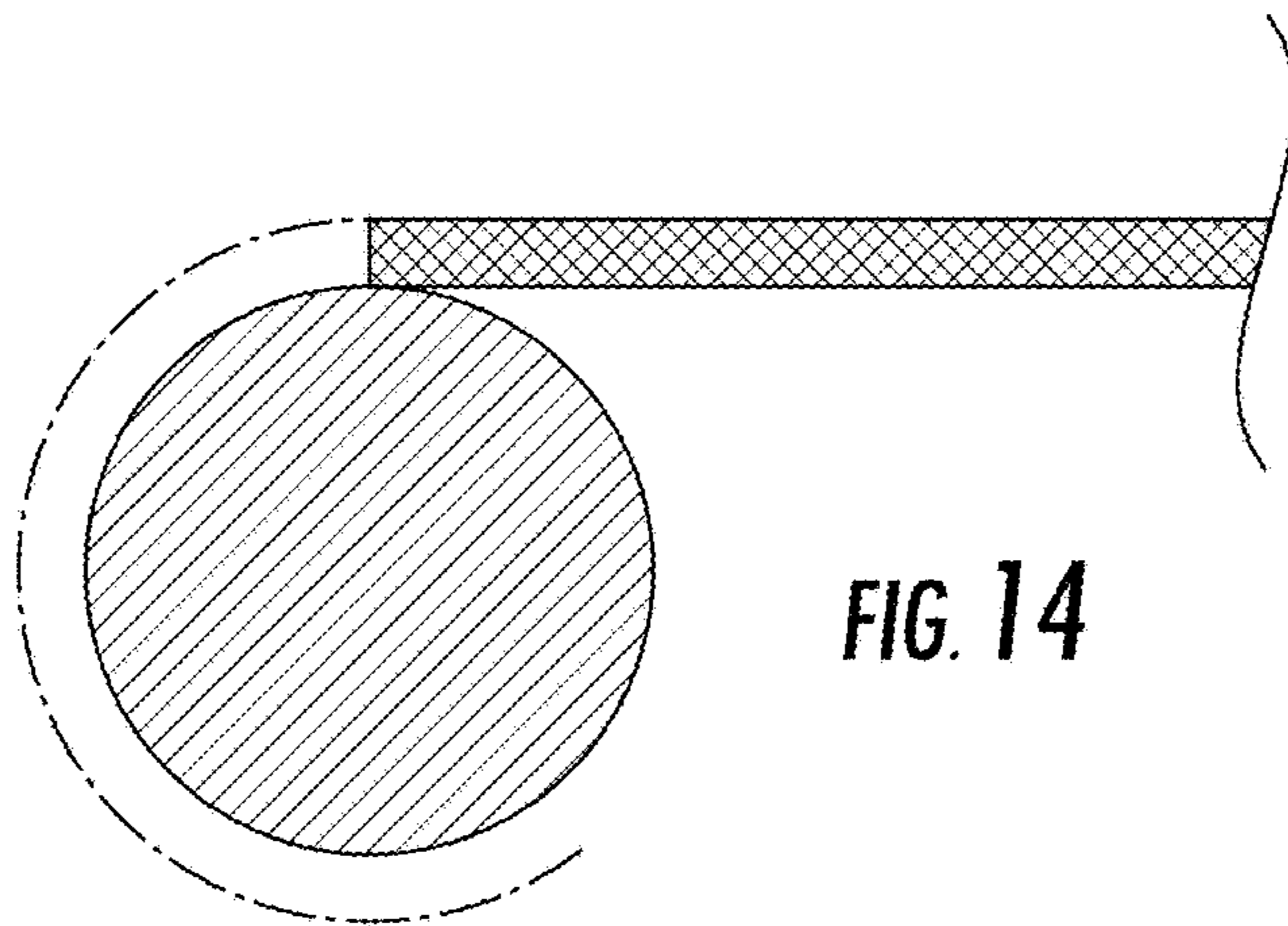


FIG. 14