



US00D800221S

(12) **United States Design Patent** (10) **Patent No.:** **US D800,221 S**  
**Graham** (45) **Date of Patent:** **\*\* Oct. 17, 2017**

(54) **PORTABLE SIGN**

(71) Applicant: **Matthew R. Graham**, Santa Rosa, CA (US)

(72) Inventor: **Matthew R. Graham**, Santa Rosa, CA (US)

(\*\*) Term: **14 Years**

(21) Appl. No.: **29/525,423**

(22) Filed: **Apr. 29, 2015**

(51) **LOC (10) Cl.** ..... **20-03**

(52) **U.S. Cl.**  
USPC ..... **D20/29**

(58) **Field of Classification Search**  
USPC ..... D20/10, 19, 22-29, 40, 42, 99;  
D10/109.1, 113.4; D19/1, 6, 9, 10, 113  
CPC . G09F 1/00; G09F 1/0002; G09F 3/00; G09F  
3/028; G09F 7/00; G09F 13/00; G09F  
23/04; A63H 3/52

See application file for complete search history.

(56) **References Cited**

**U.S. PATENT DOCUMENTS**

D291,454 S *	8/1987	Broadfoot	.....	D20/40
D361,347 S *	8/1995	Adler	.....	D19/113
D364,642 S *	11/1995	Adler	.....	D19/113
D414,516 S *	9/1999	Lopez	.....	D10/109.1
D565,115 S *	3/2008	Chamberlain	.....	D20/29
D565,116 S *	3/2008	Chamberlain	.....	D20/29
D744,034 S *	11/2015	Nguyen	.....	D19/113
2012/0285059 A1 *	11/2012	Fisk	.....	A63H 3/52 40/661.01

\* cited by examiner

*Primary Examiner* — Mary Ann Calabrese

(74) *Attorney, Agent, or Firm* — Edward S. Sherman

(57) **CLAIM**

The ornamental design for a “portable sign,” as shown and described.

**DESCRIPTION**

FIG. 1 is a front plan view of a first embodiment of the “portable sign”;

FIG. 2 is a bottom elevation view thereof;

FIG. 3 is a top elevation view thereof;

FIG. 4 is a back plan view thereof;

FIG. 5 is a right side elevation plan view thereof;

FIG. 6 is a left side elevation view thereof;

FIG. 7 is a cross sectional partial elevation view at an expanded scale corresponding to section lines 7-7 in FIG. 4;

FIG. 8 is a front plan view of a second embodiment of the “portable sign”;

FIG. 9 is a bottom elevation view thereof;

FIG. 10 is a top elevation view thereof;

FIG. 11 is a back plan view thereof;

FIG. 12 is a right side elevation plan view thereof;

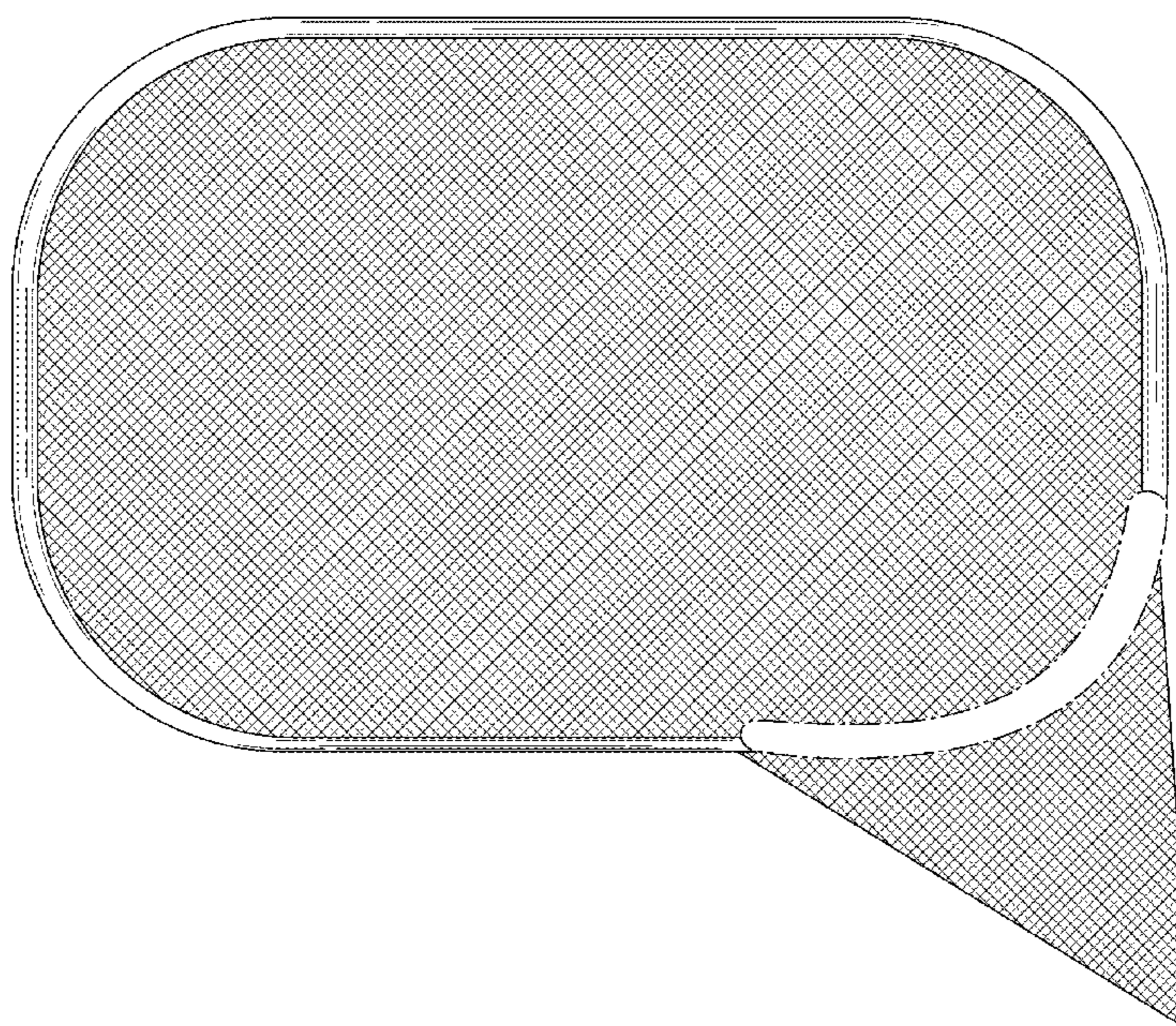
FIG. 13 is a left side elevation view thereof; and,

FIG. 14 is a cross sectional partial elevation view at an expanded scale corresponding to section lines 14-14 in FIG. 11.

The dot-dot-dash broken lines on the back in FIGS. 4 and 11 show the boundaries of the claimed design and form no part thereof. The dot-dash broken lines show portions of the appendage that form no part of the claimed design.

The portable sign is shown with a symbolic break in its length and width in the second embodiment. The appearance of any portion of the article between the break lines forms no part of the claimed design.

**1 Claim, 8 Drawing Sheets**



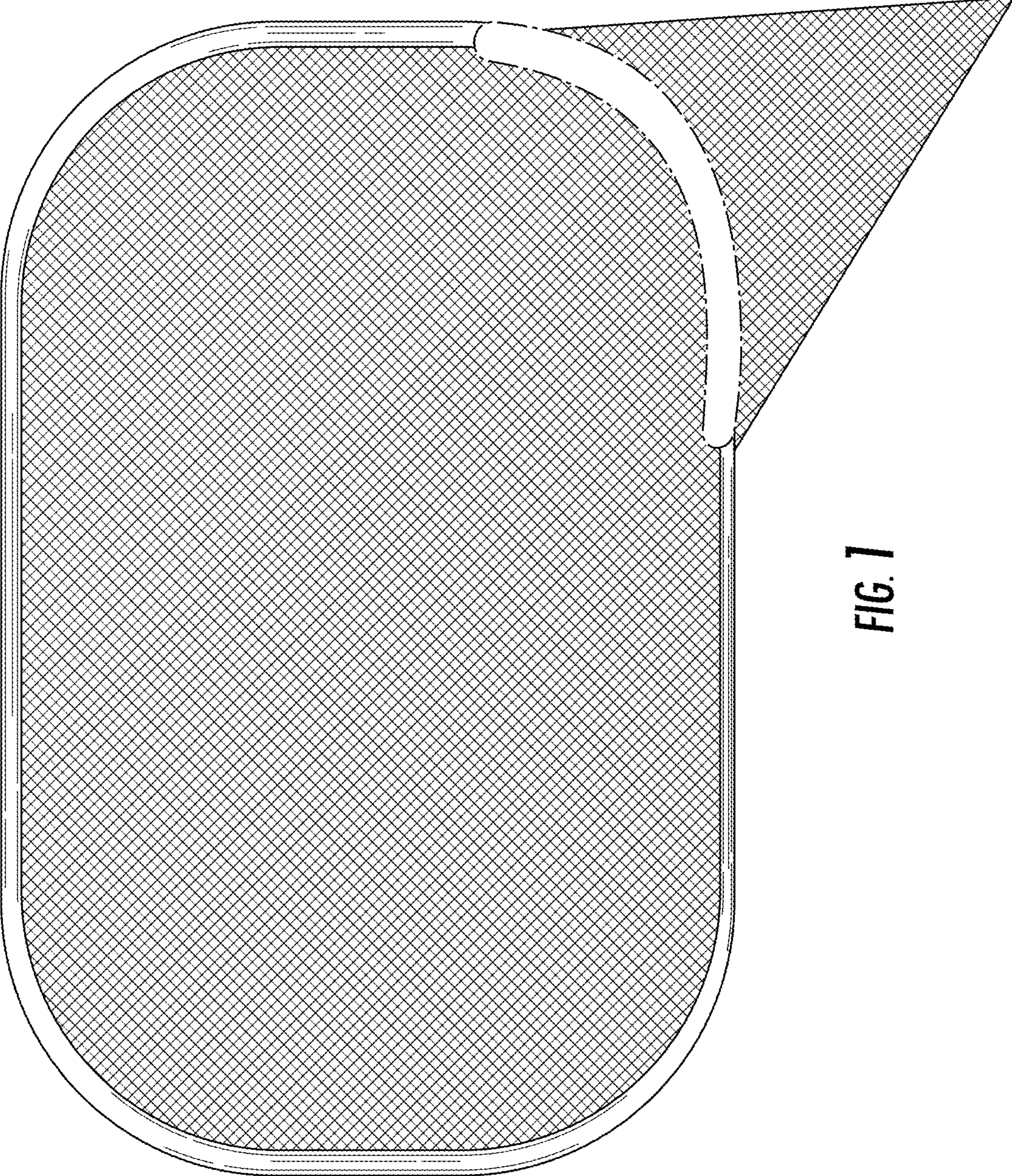


FIG. 1

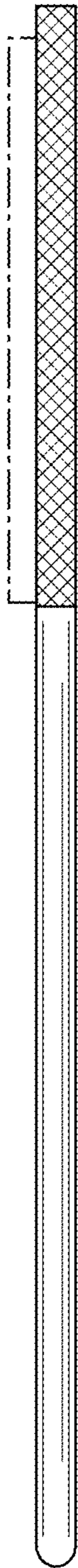


FIG. 2

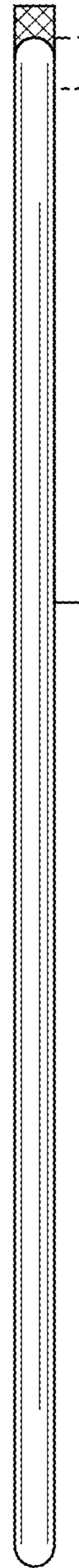


FIG. 3

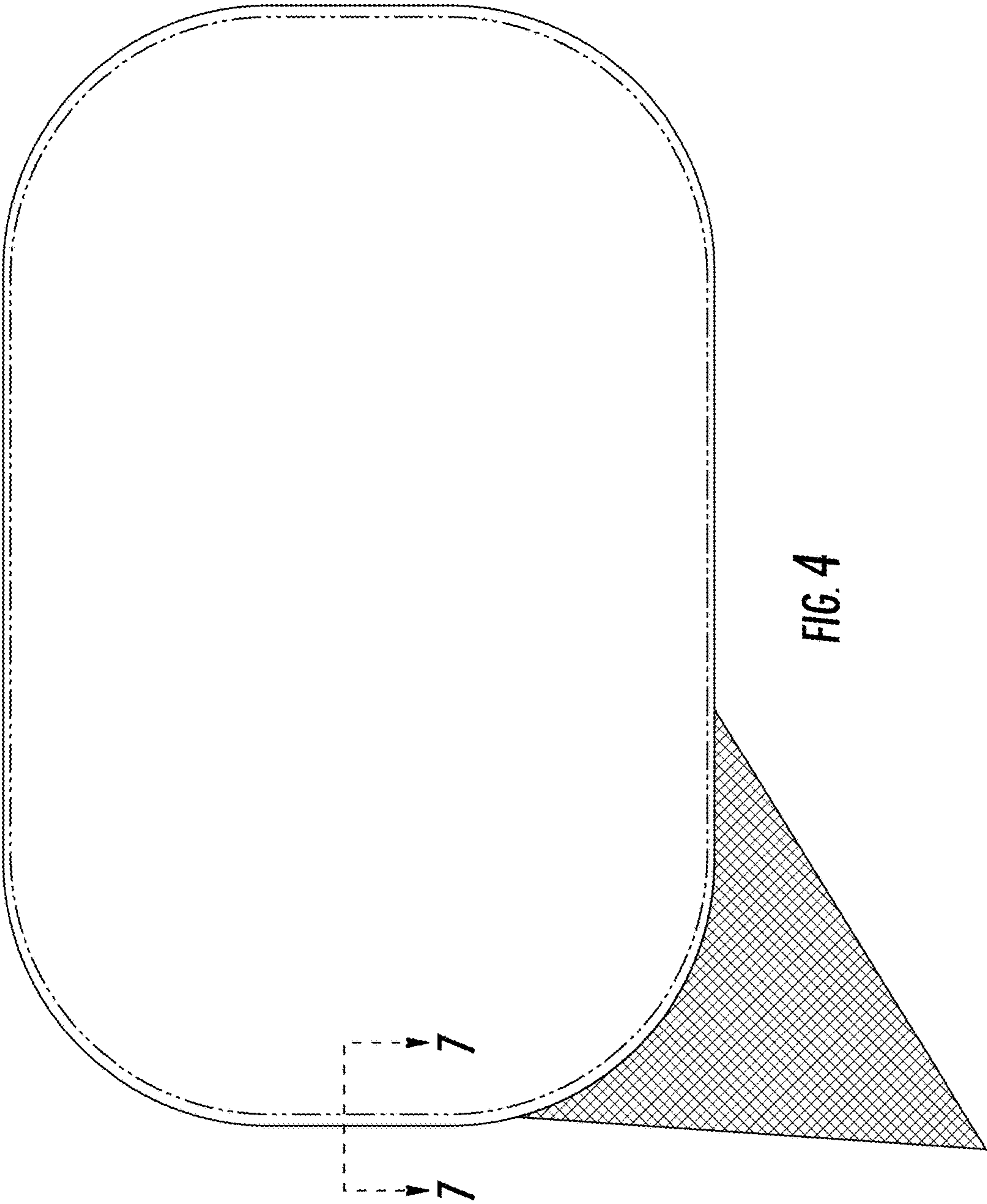
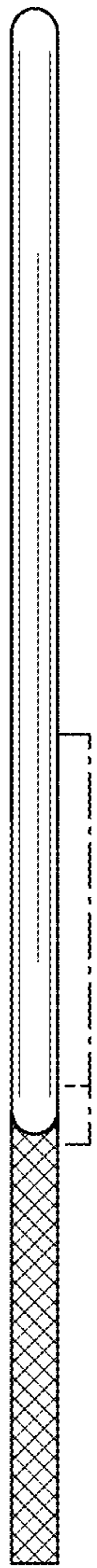
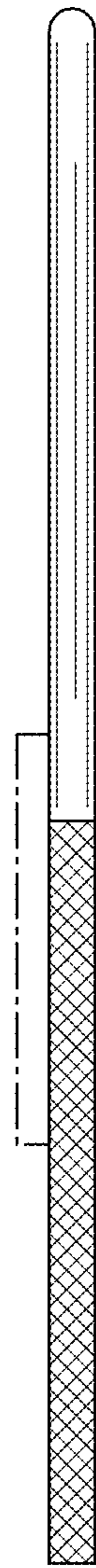


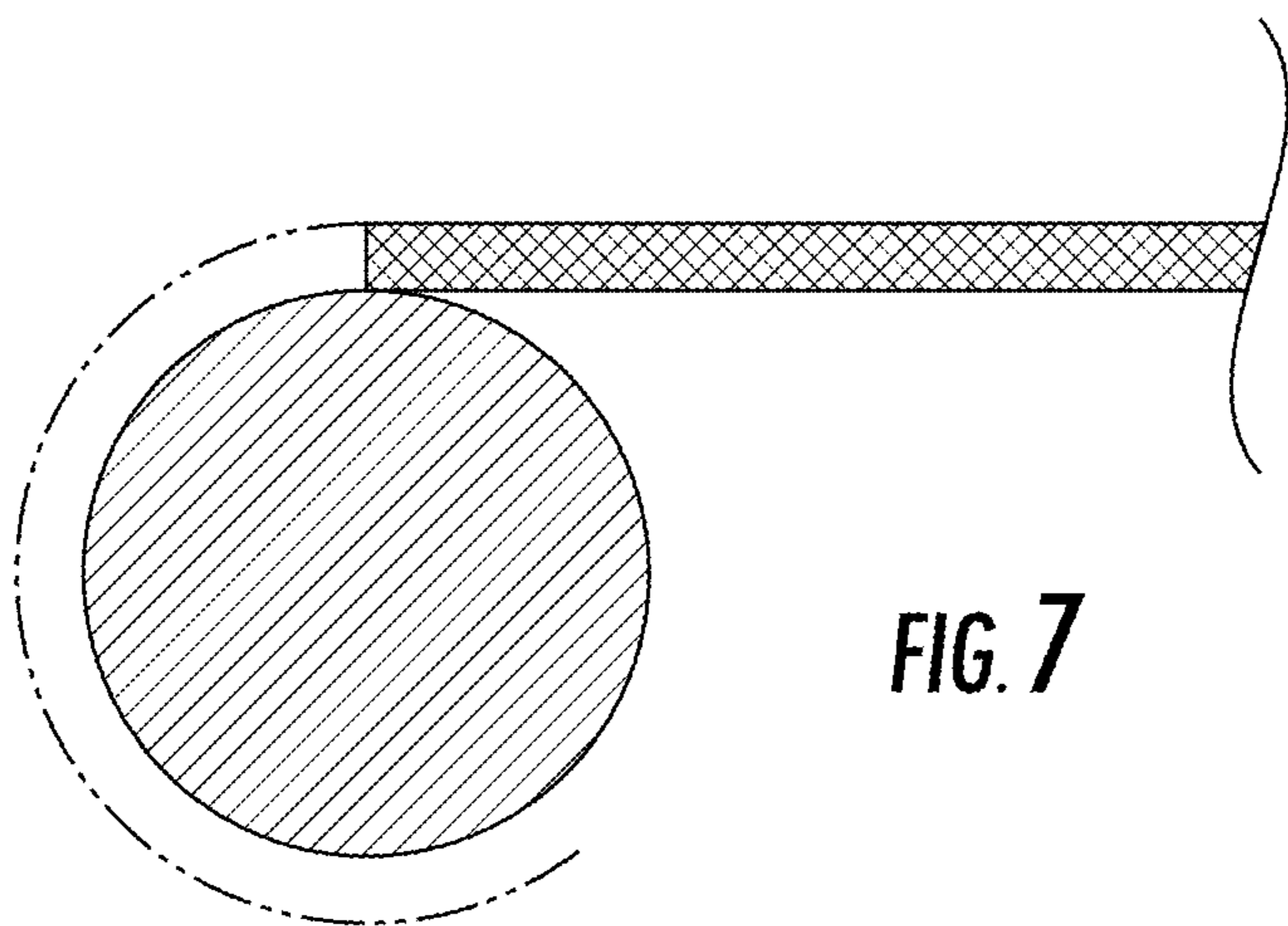
FIG. 4



**FIG. 5**



**FIG. 6**



**FIG. 7**

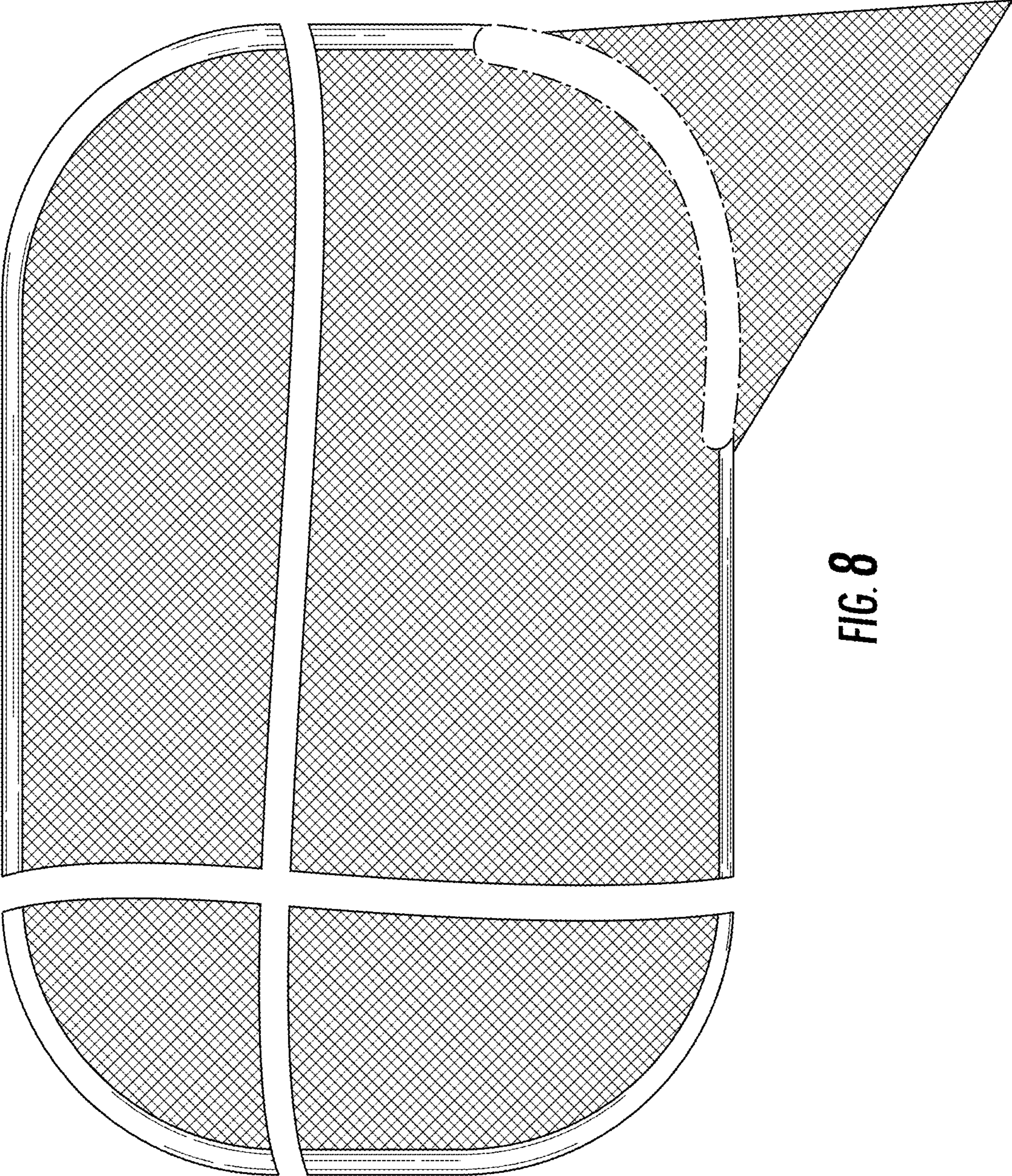


FIG. 8



FIG. 9

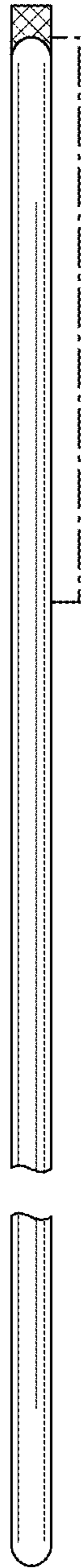


FIG. 10

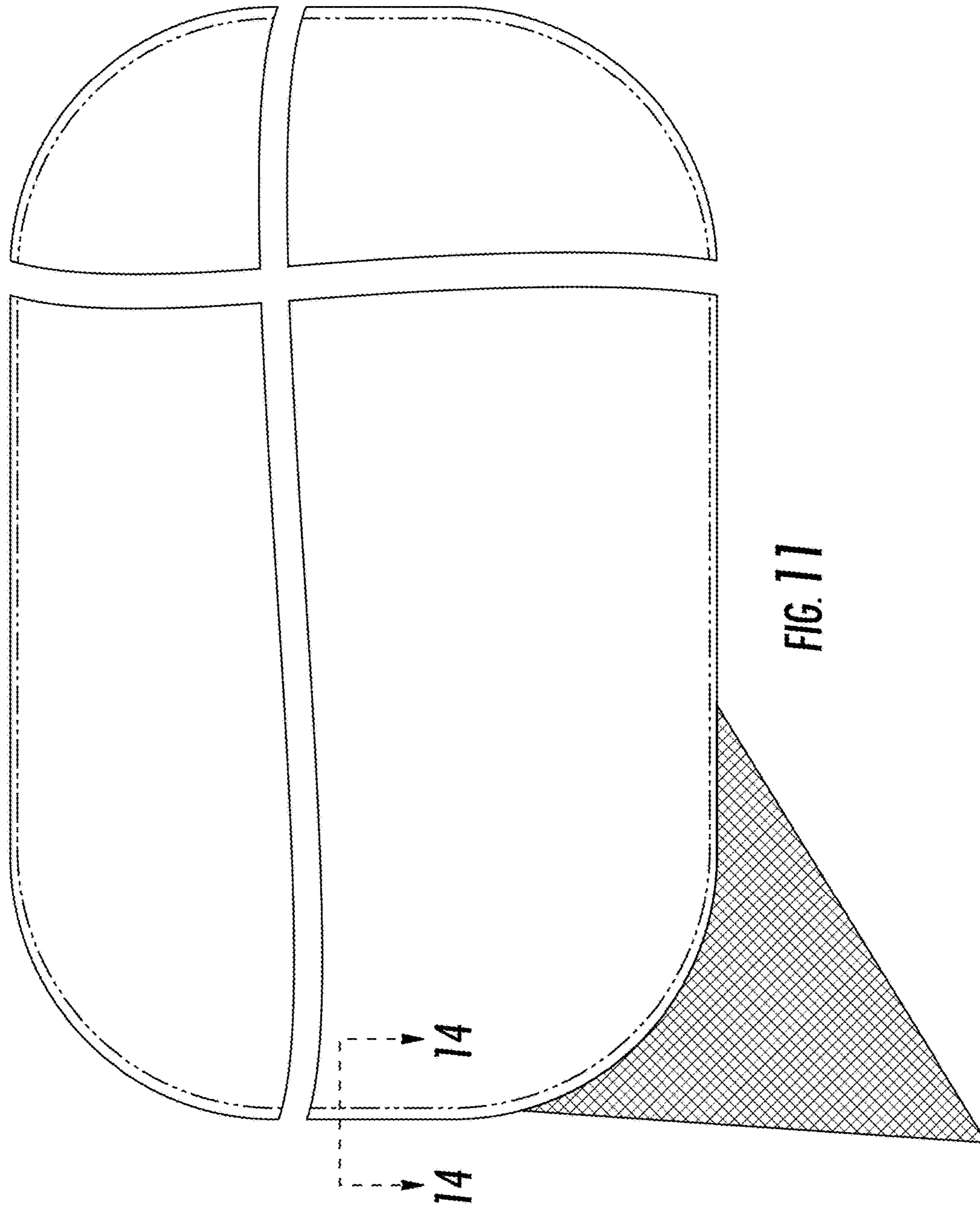






FIG. 12

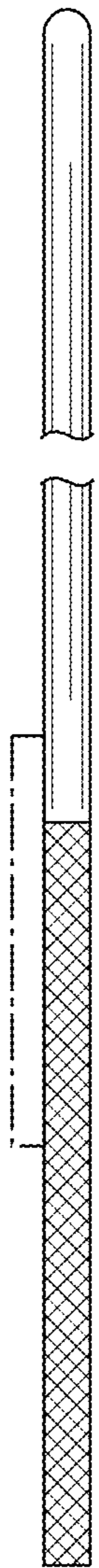


FIG. 13

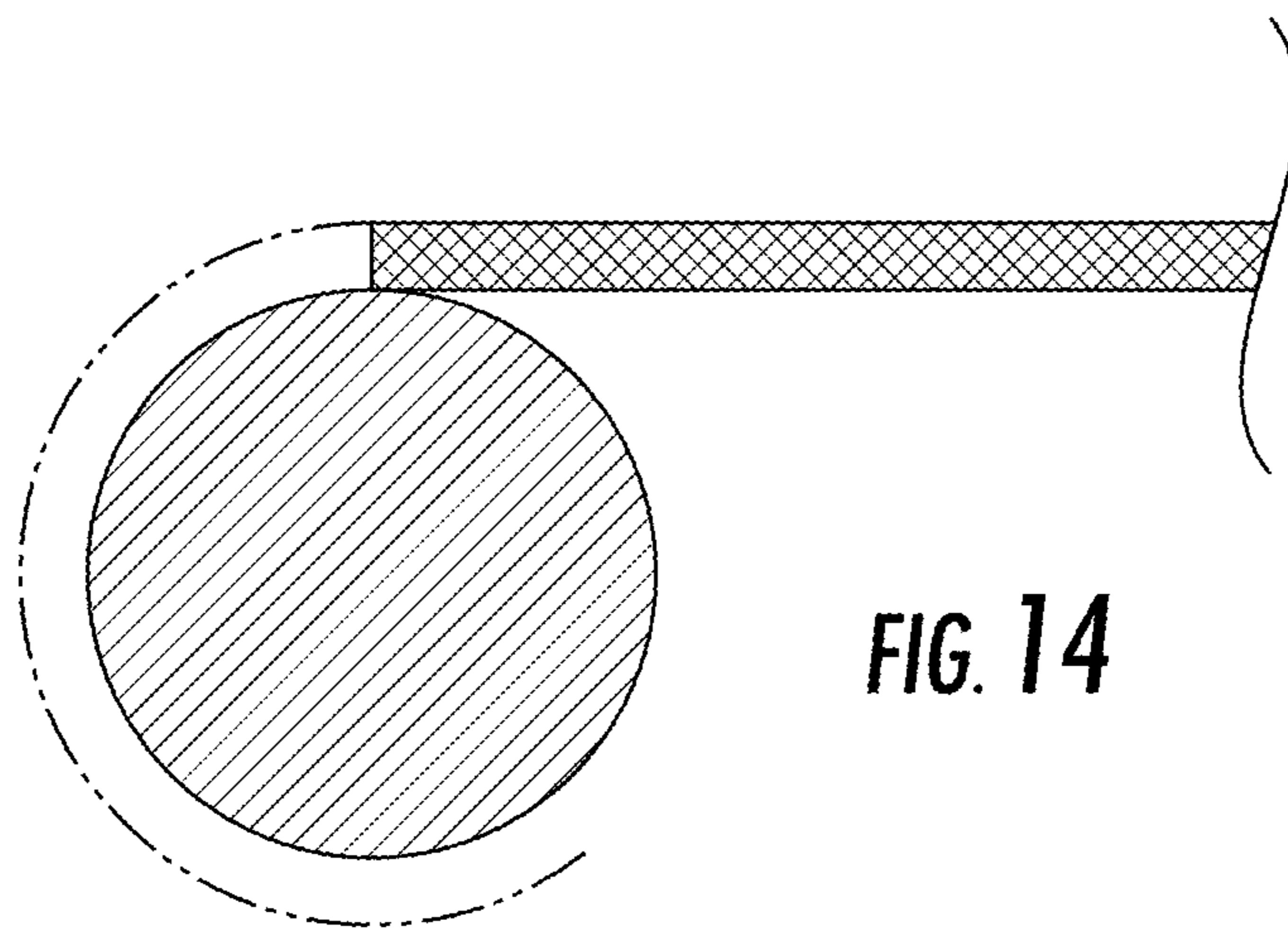


FIG. 14