



US00D800217S

(12) **United States Design Patent** (10) **Patent No.:** **US D800,217 S**
Chiu et al. (45) **Date of Patent:** **** Oct. 17, 2017**

(54) **TRAY DRAWER**

(57) **CLAIM**

(71) Applicant: **AVISION INC.**, Hsinchu (TW)

The ornamental design for a tray drawer, as shown and described.

(72) Inventors: **Chin-Chu Chiu**, Hsinchu County (TW); **Ku-Ming Chen**, Zhubei (TW); **Chi-Yao Chen**, Miaoli County (TW)

DESCRIPTION

(73) Assignee: **Avision Inc.** (TW)

FIG. 1 is a perspective view of a tray drawer in an open position, showing our new design
FIG. 2 is a front elevational view thereof;
FIG. 3 is a rear elevational view thereof;
FIG. 4 is a left-side elevational view thereof;
FIG. 5 is a right-side elevational view thereof;
FIG. 6 is a top plan view thereof;
FIG. 7 is a bottom plan view thereof;
FIG. 8 is another perspective view thereof, in a closed position;
FIG. 9 is another perspective view thereof, wherein the handle of the tray drawer is cocked;
FIG. 10 is another front elevational view thereof, wherein the handle of the tray drawer is cocked;
FIG. 11 is another left elevational view thereof, wherein the handle of the tray drawer is cocked;
FIG. 12 is an enlarged perspective view taken from the circled portion of FIG. 1;
FIG. 13 is an enlarged perspective view taken from the circled portion of FIG. 9;
FIG. 14 is an enlarged front view taken from the circled portion of FIG. 2;
FIG. 15 is an enlarged front view taken from the circled portion of FIG. 10;
FIG. 16 is an enlarged left-side view taken from the circled portion of FIG. 4;
FIG. 17 is an enlarged left-side view taken from the circled portion of FIG. 11; and,
FIG. 18 is an enlarged top plan view taken from the circled portion of FIG. 6.
The broken lines shown in the figures are for the purpose of illustrating portions of the tray drawer which form no part of the claimed design.

(**) Term: **15 Years**

(21) Appl. No.: **29/566,240**

(22) Filed: **May 27, 2016**

(51) **LOC (10) Cl.** **18-02**

(52) **U.S. Cl.**
USPC **D18/56**

(58) **Field of Classification Search**
USPC D18/12, 18, 40, 56, 34.9, 99, 36, 37, 38,
D18/39, 50, 54, 55; D14/421, 483, 432,
D14/471, 301, 307, 129, 130, 299;
399/388; 101/113; 355/97; 271/3.14;
D15/138, 199
CPC .. B41J 2/17513; B41J 2/1752; B41J 2/17553;
B65B 3/027; B65B 3/045
See application file for complete search history.

(56) **References Cited**

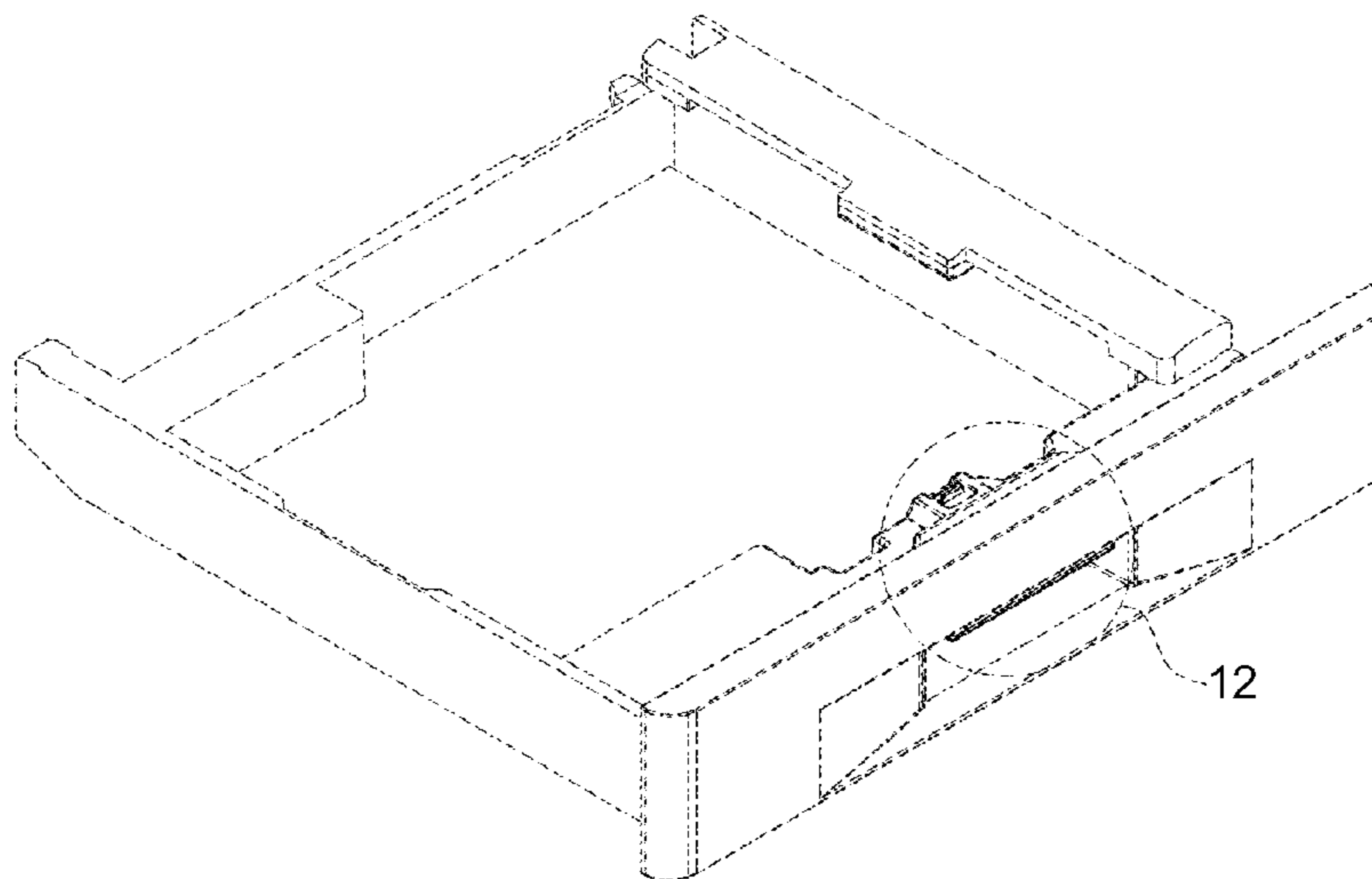
U.S. PATENT DOCUMENTS

D484,182 S *	12/2003	Penke	D18/40
D526,678 S *	8/2006	Inoue	D18/49
D529,077 S *	9/2006	Takahashi	D18/40
D541,848 S *	5/2007	King	D18/44
D542,340 S *	5/2007	Nakamura	D18/56
D544,529 S *	6/2007	Takahashi	D18/47
D556,252 S *	11/2007	Yamagata	D18/44
D571,398 S *	6/2008	Horiuchi	D18/56
D579,973 S *	11/2008	Park	D14/421

(Continued)

Primary Examiner — Cynthia Ramirez
Assistant Examiner — Michael Maharajh

1 Claim, 9 Drawing Sheets



(56)

References Cited

U.S. PATENT DOCUMENTS

D619,639 S * 7/2010 Brown D18/40
D628,619 S * 12/2010 Penke D18/40
D765,775 S * 9/2016 Livingston D18/56

* cited by examiner

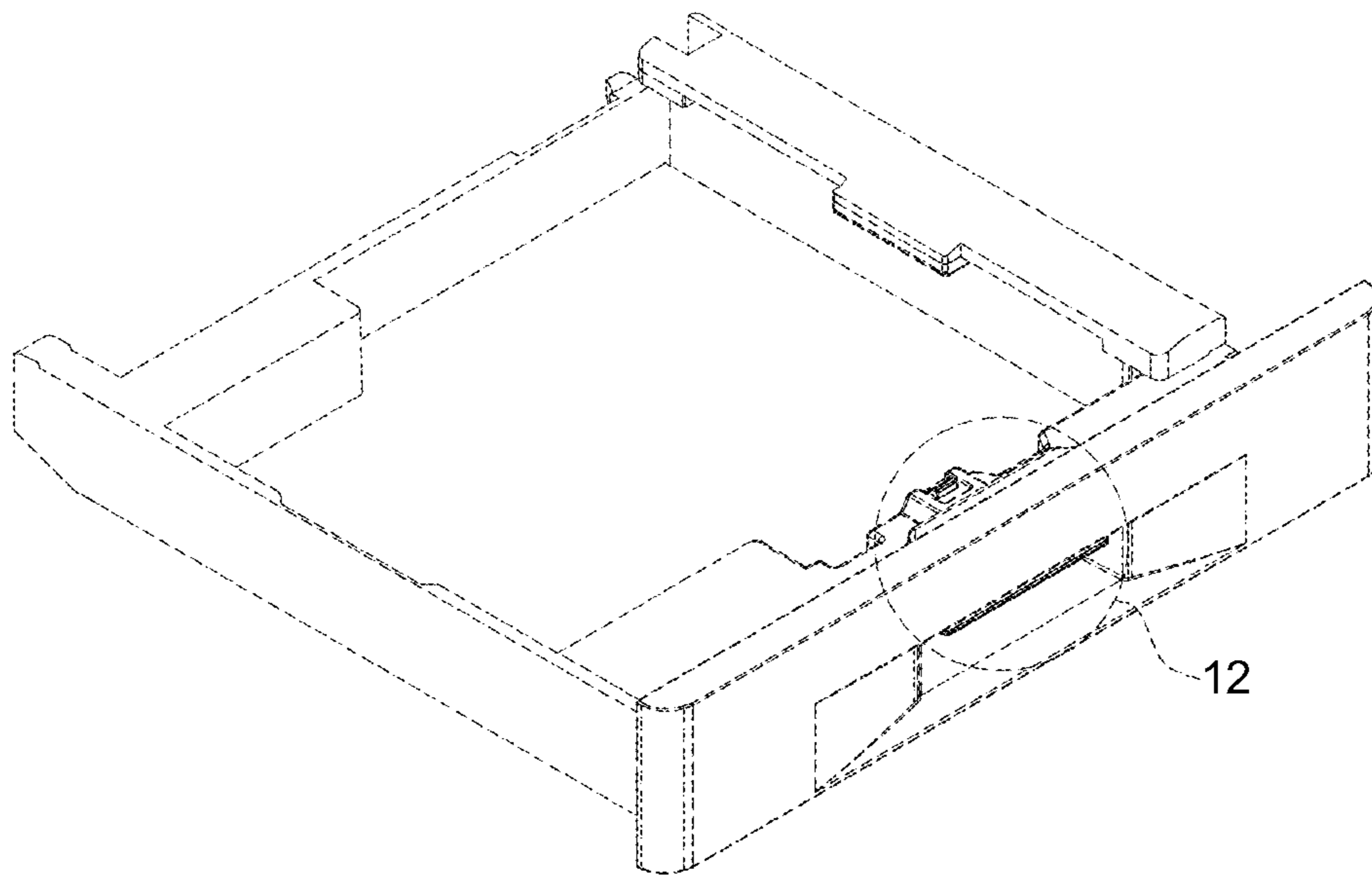


FIG. 1

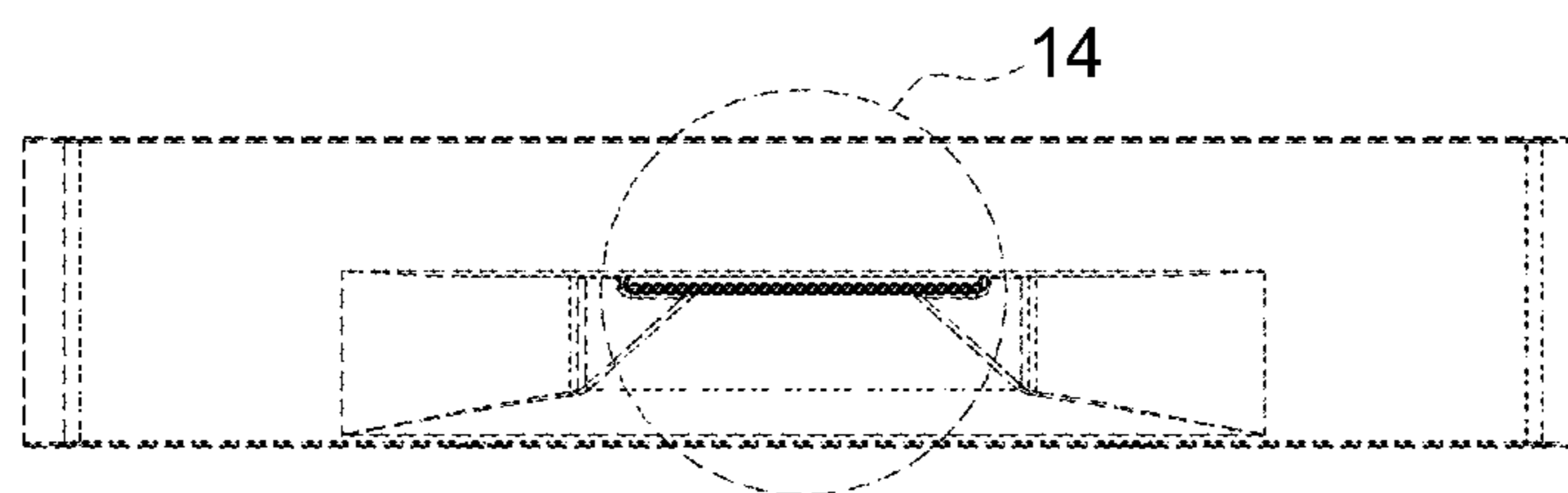


FIG. 2

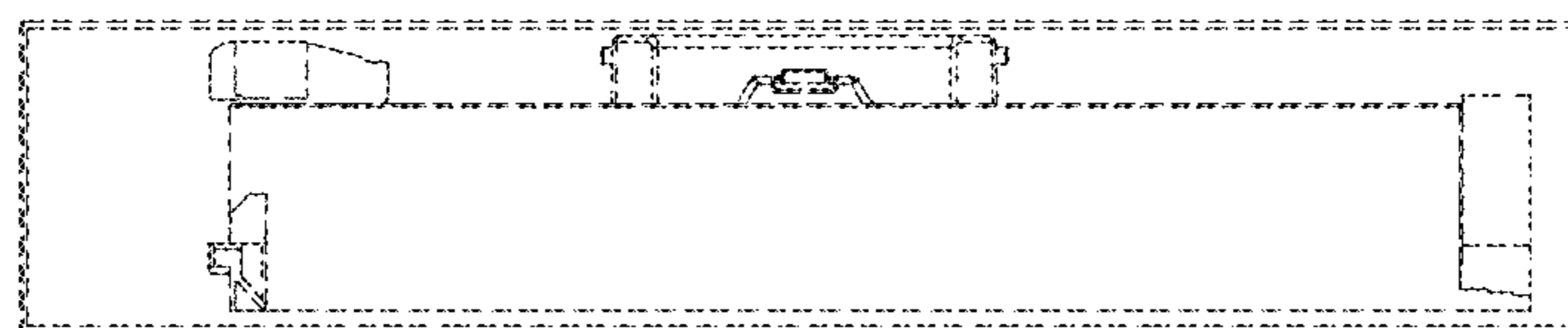


FIG. 3

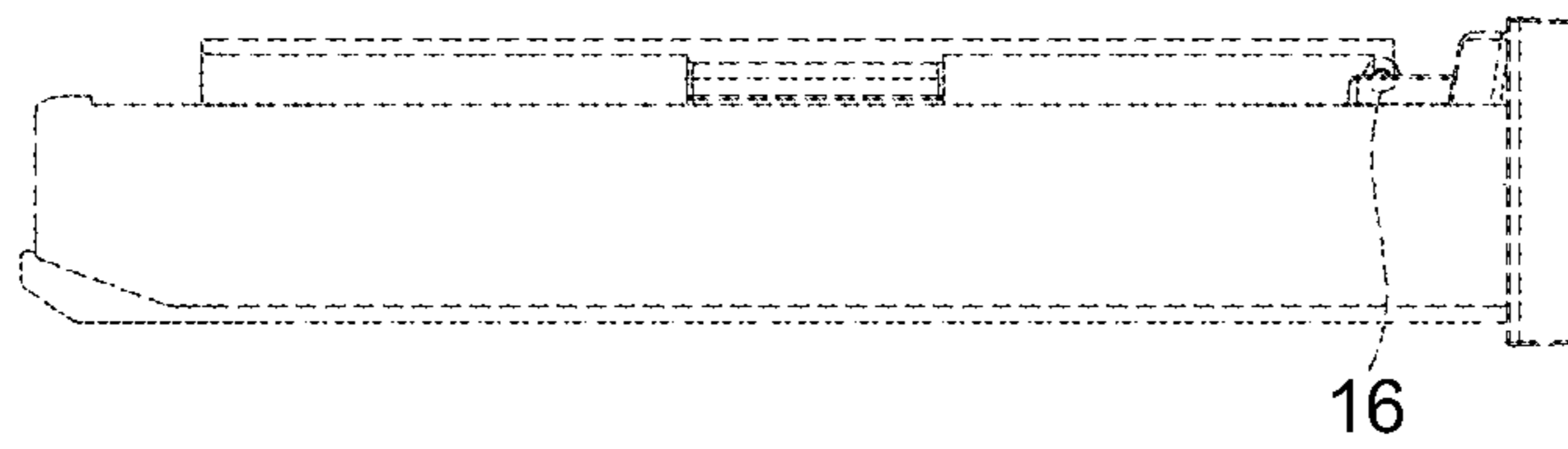


FIG. 4

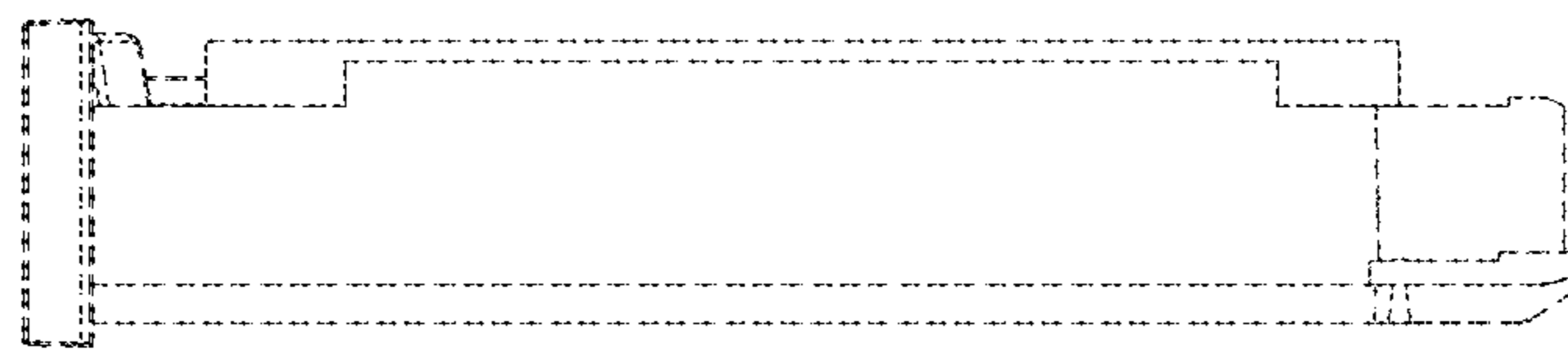


FIG. 5

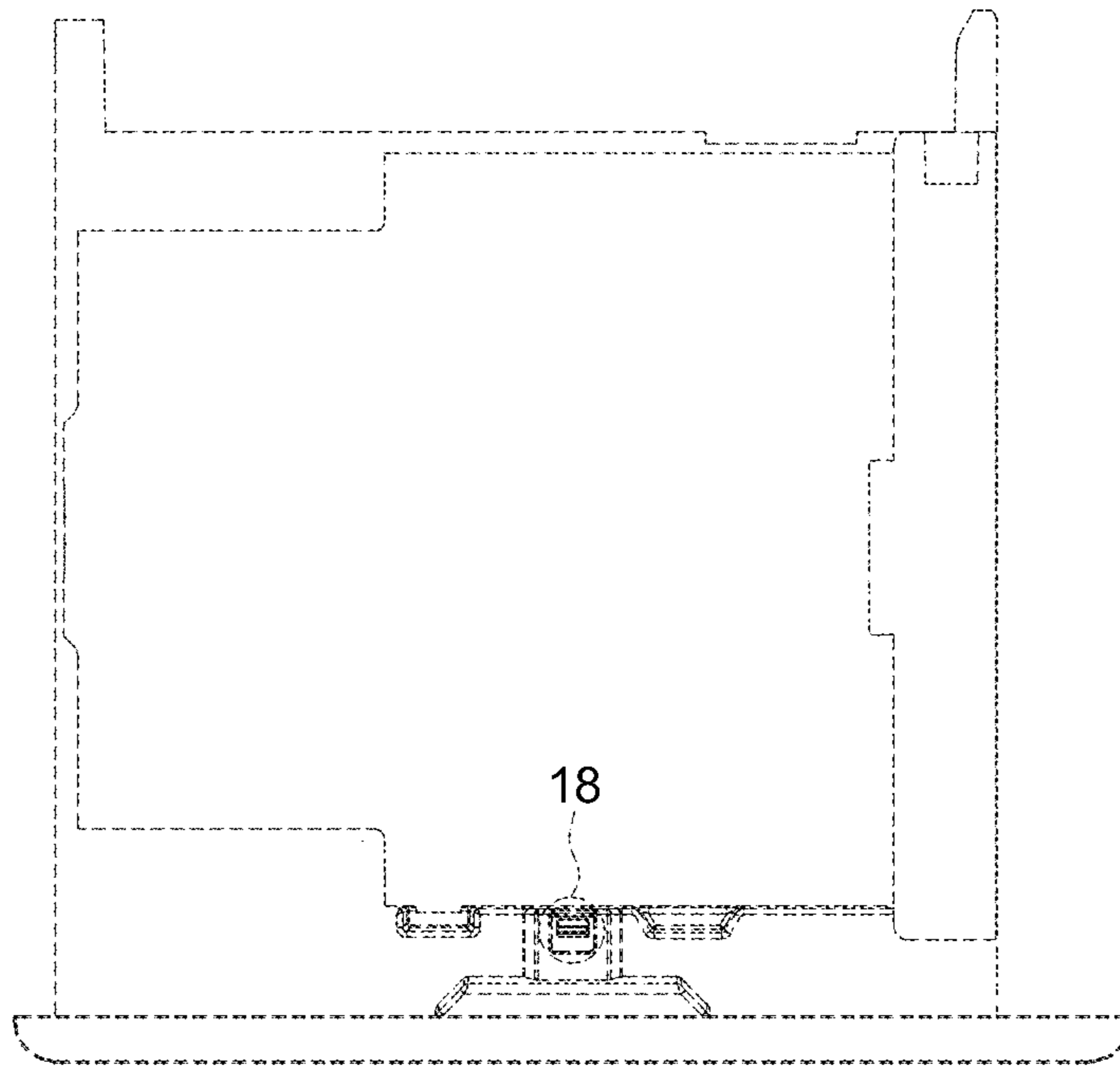


FIG. 6

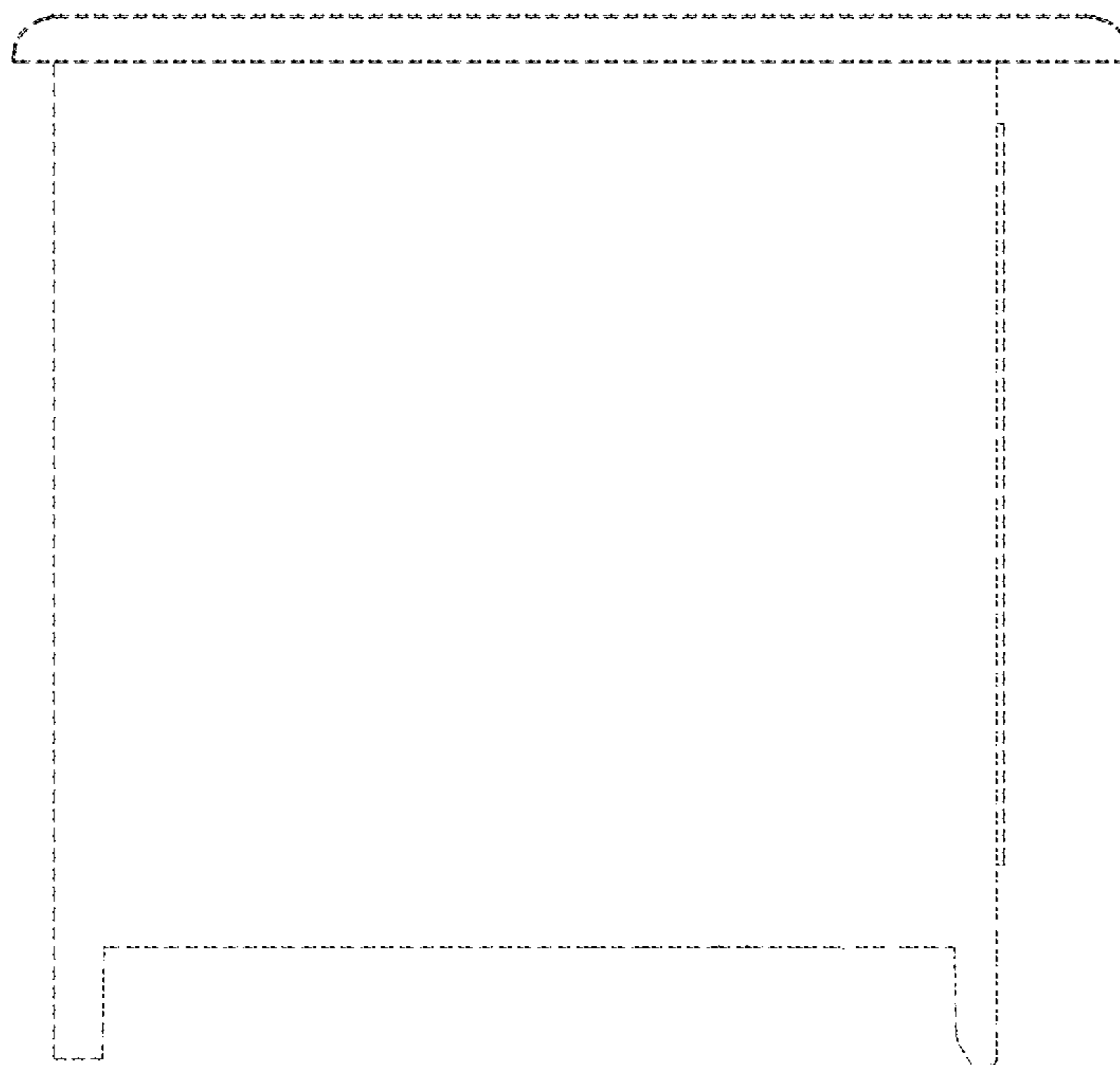


FIG. 7

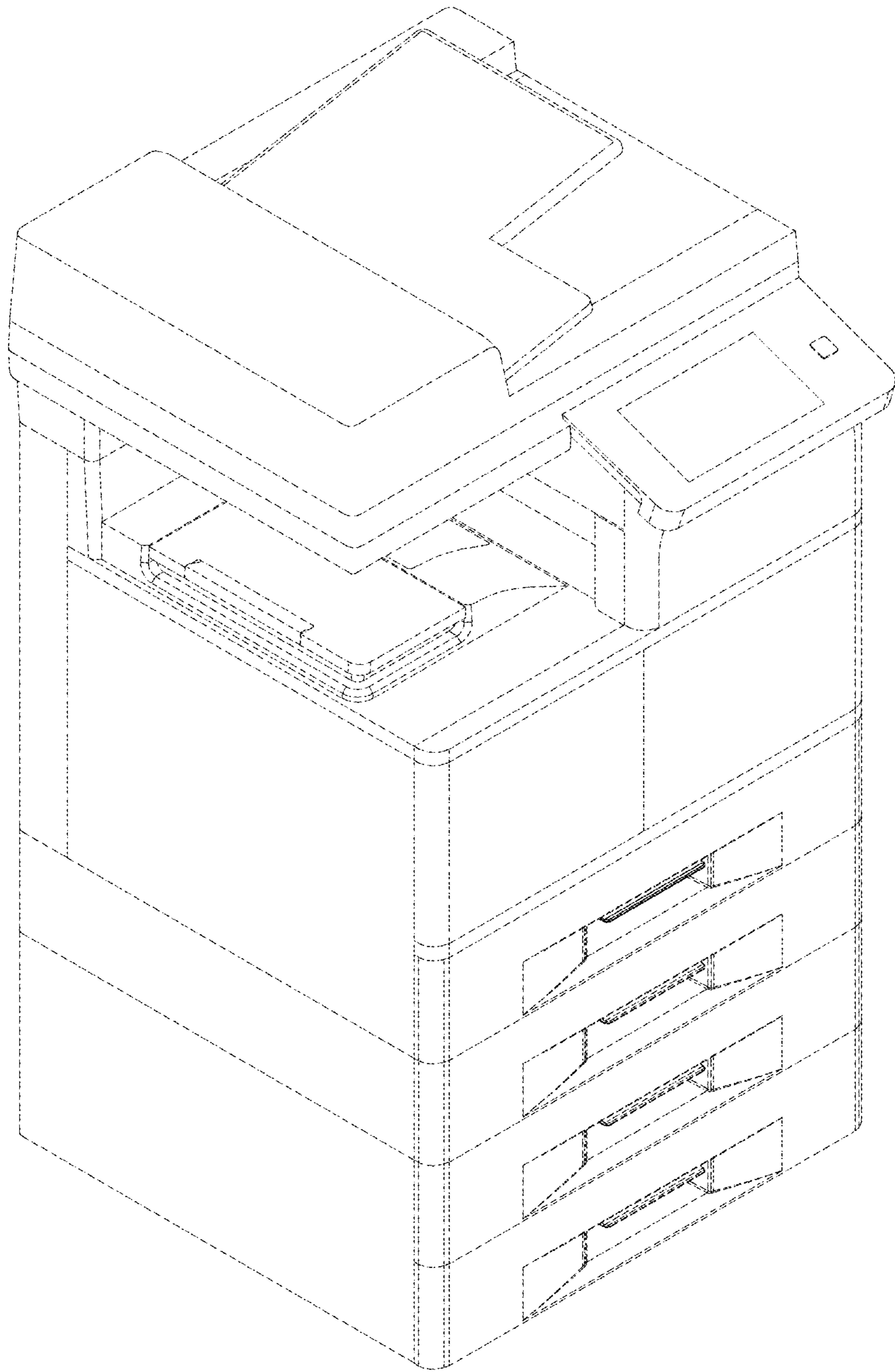


FIG. 8

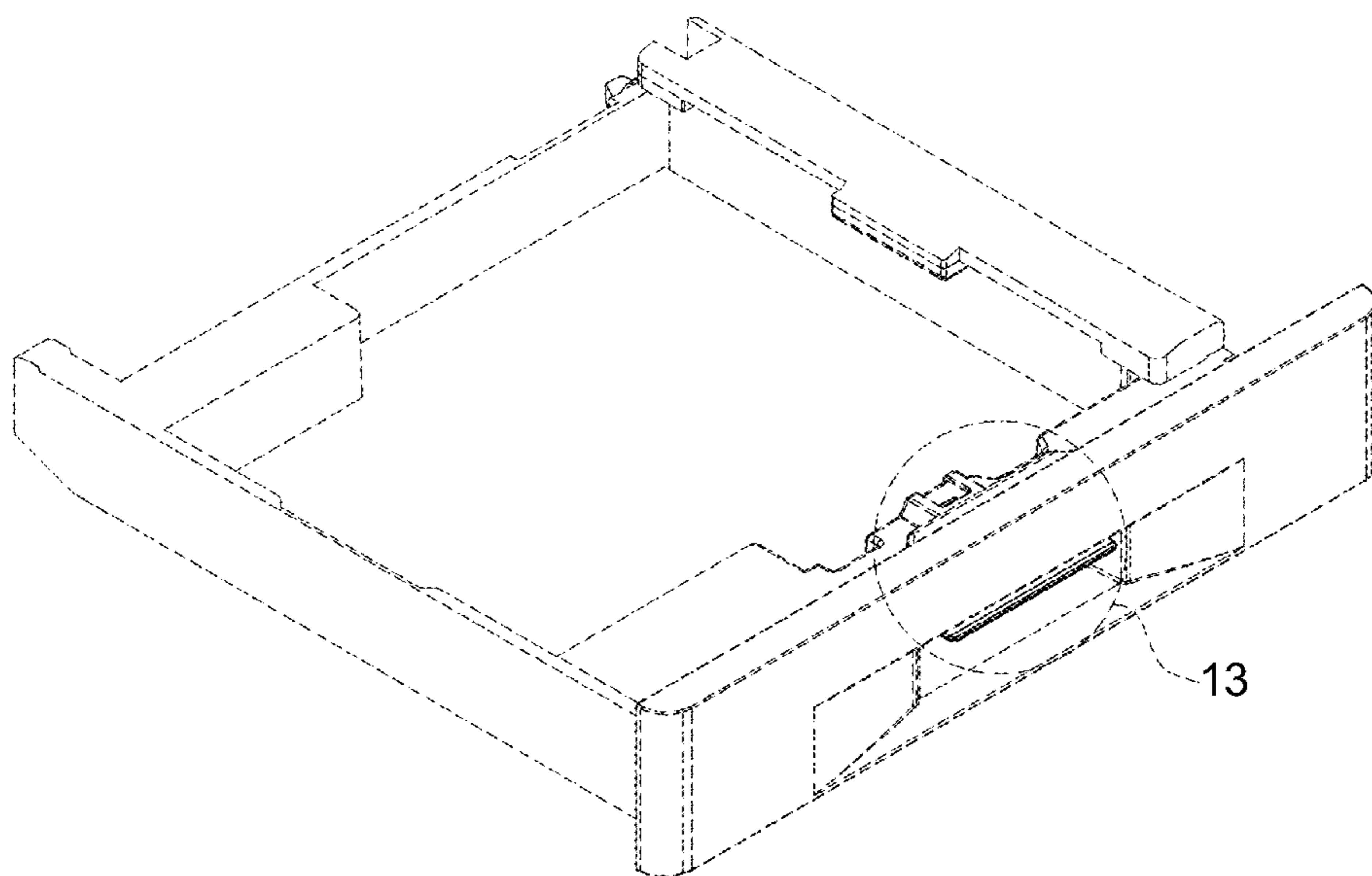


FIG. 9

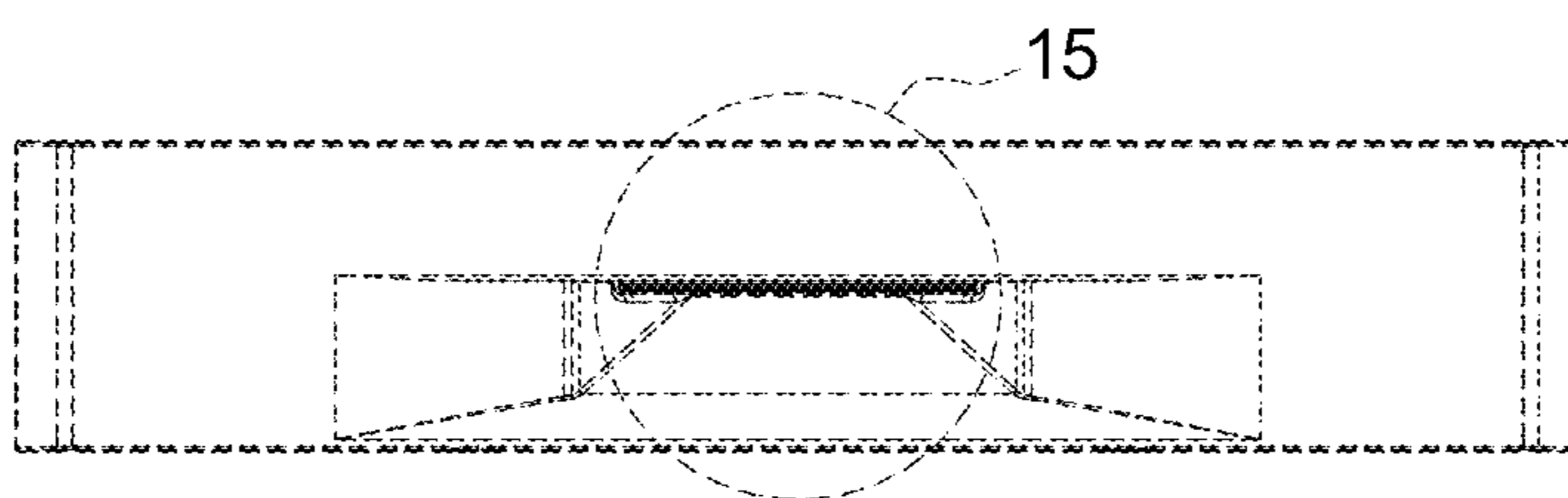


FIG. 10

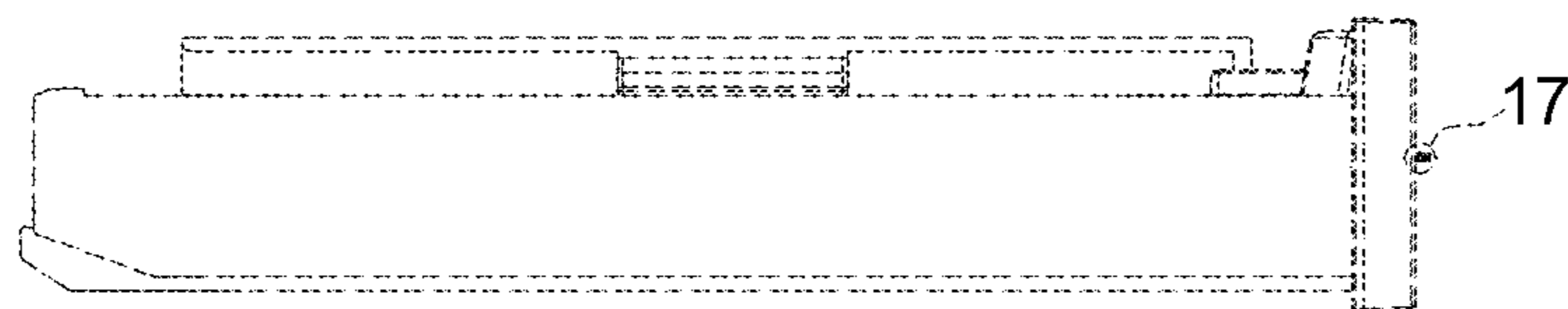


FIG. 11

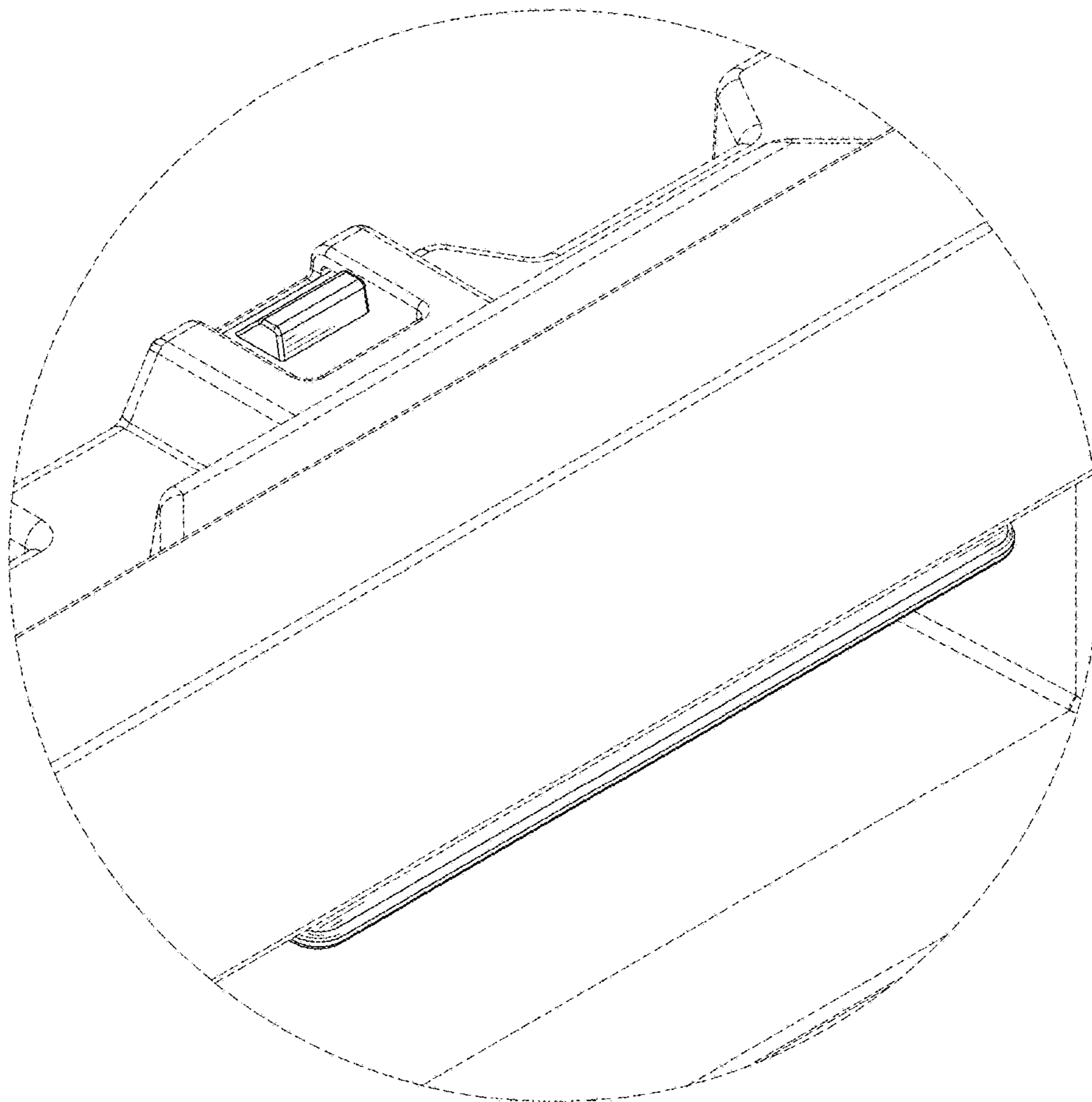


FIG. 12

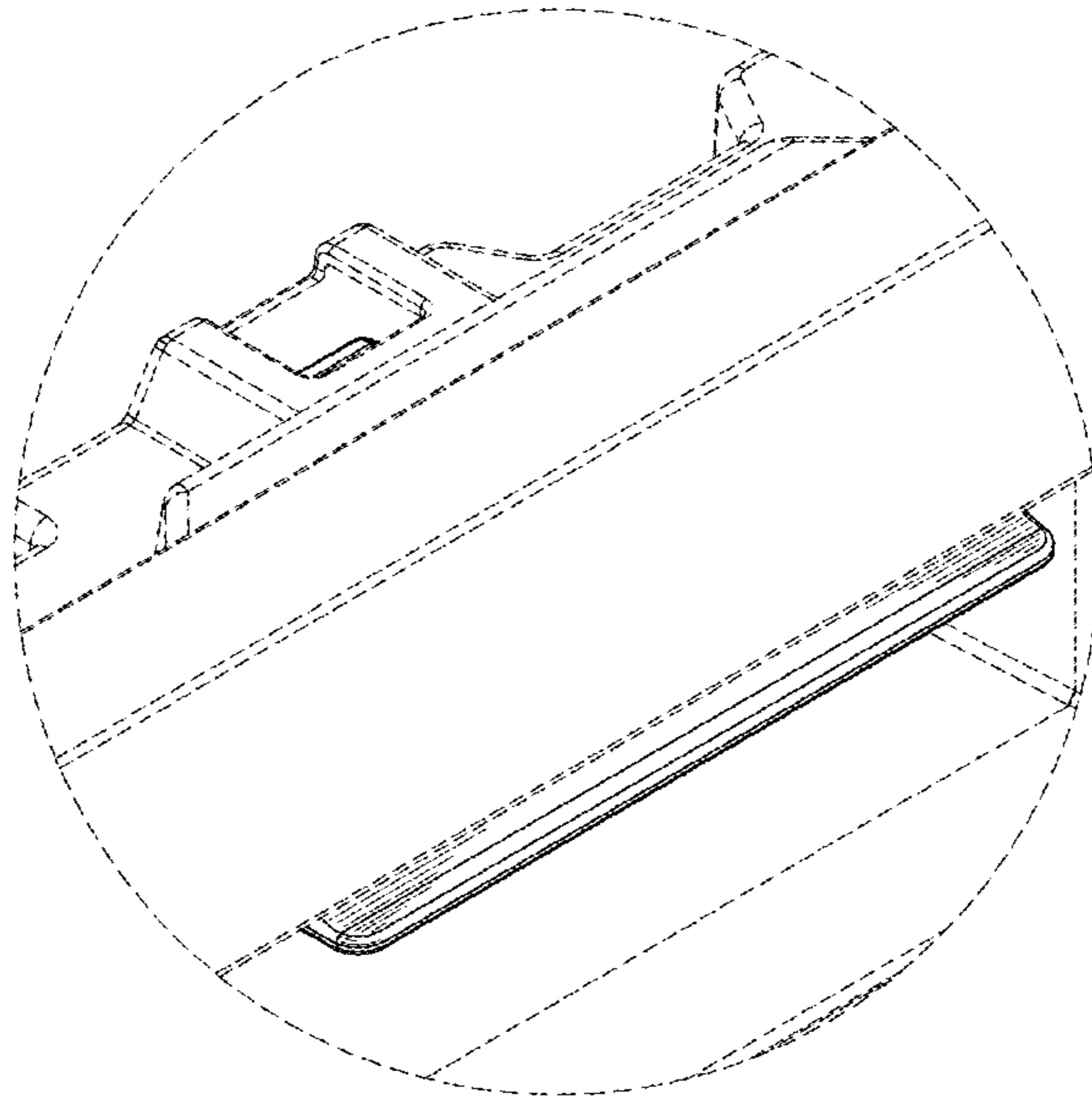


FIG. 13

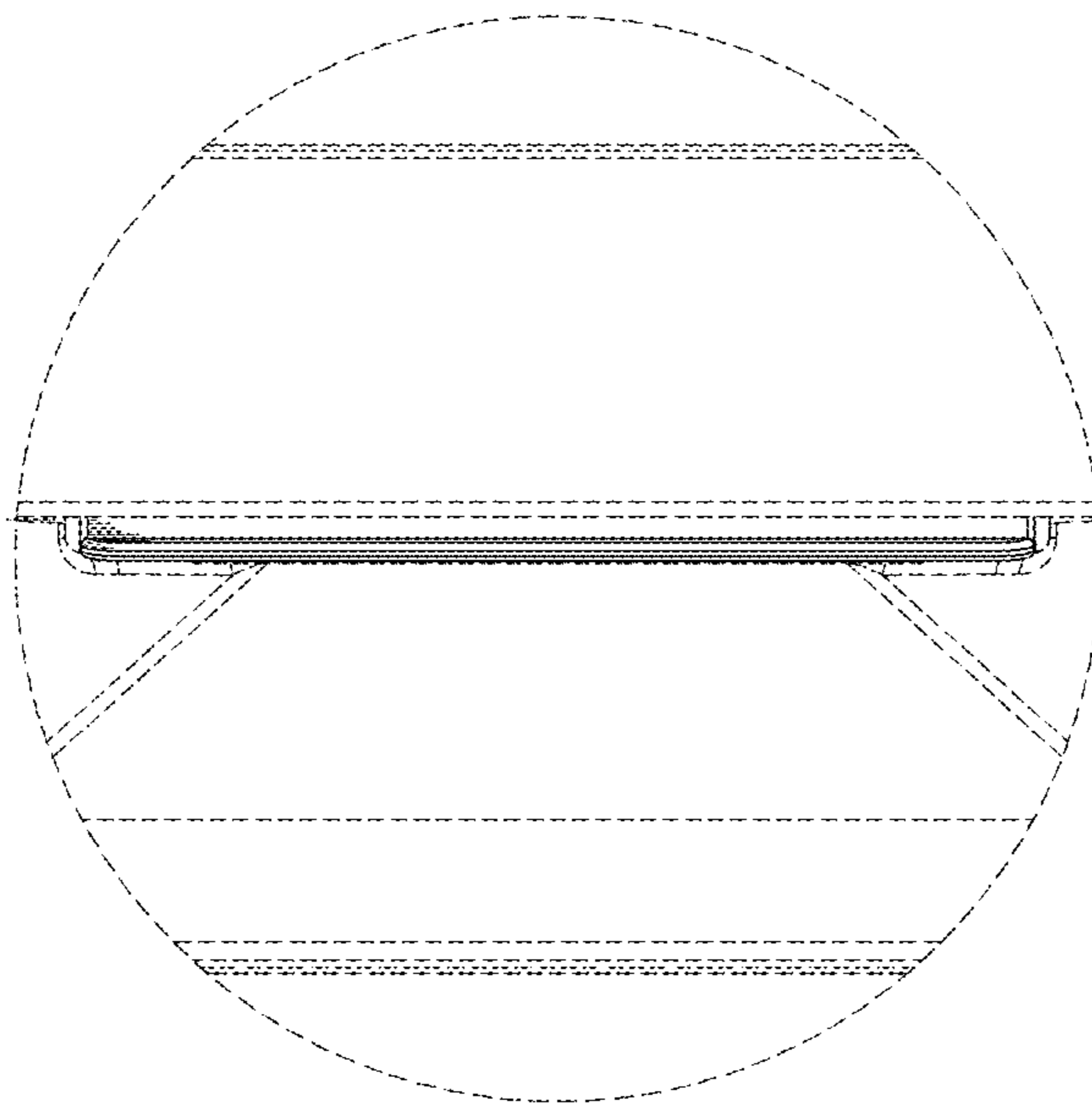


FIG. 14

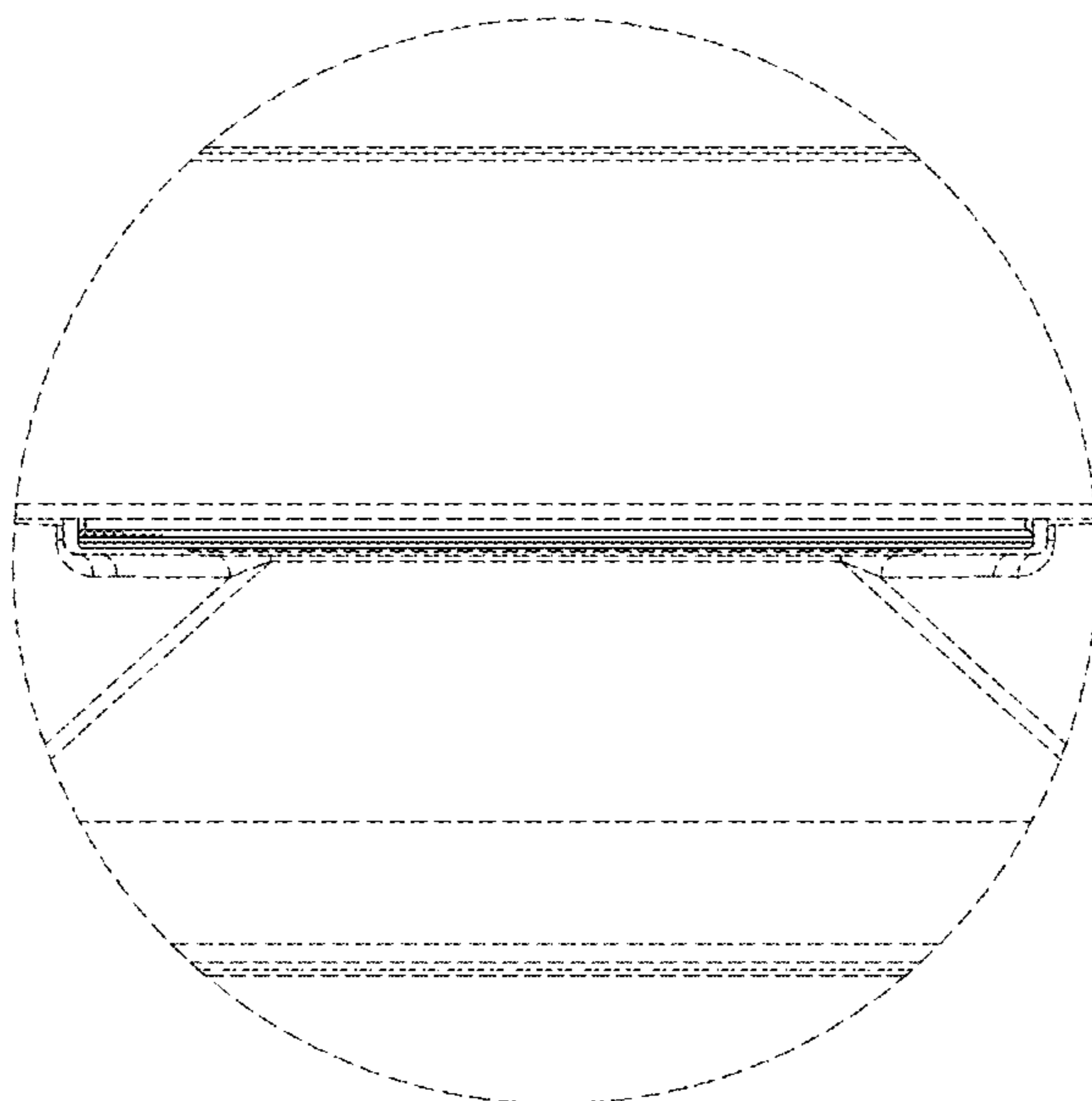


FIG. 15

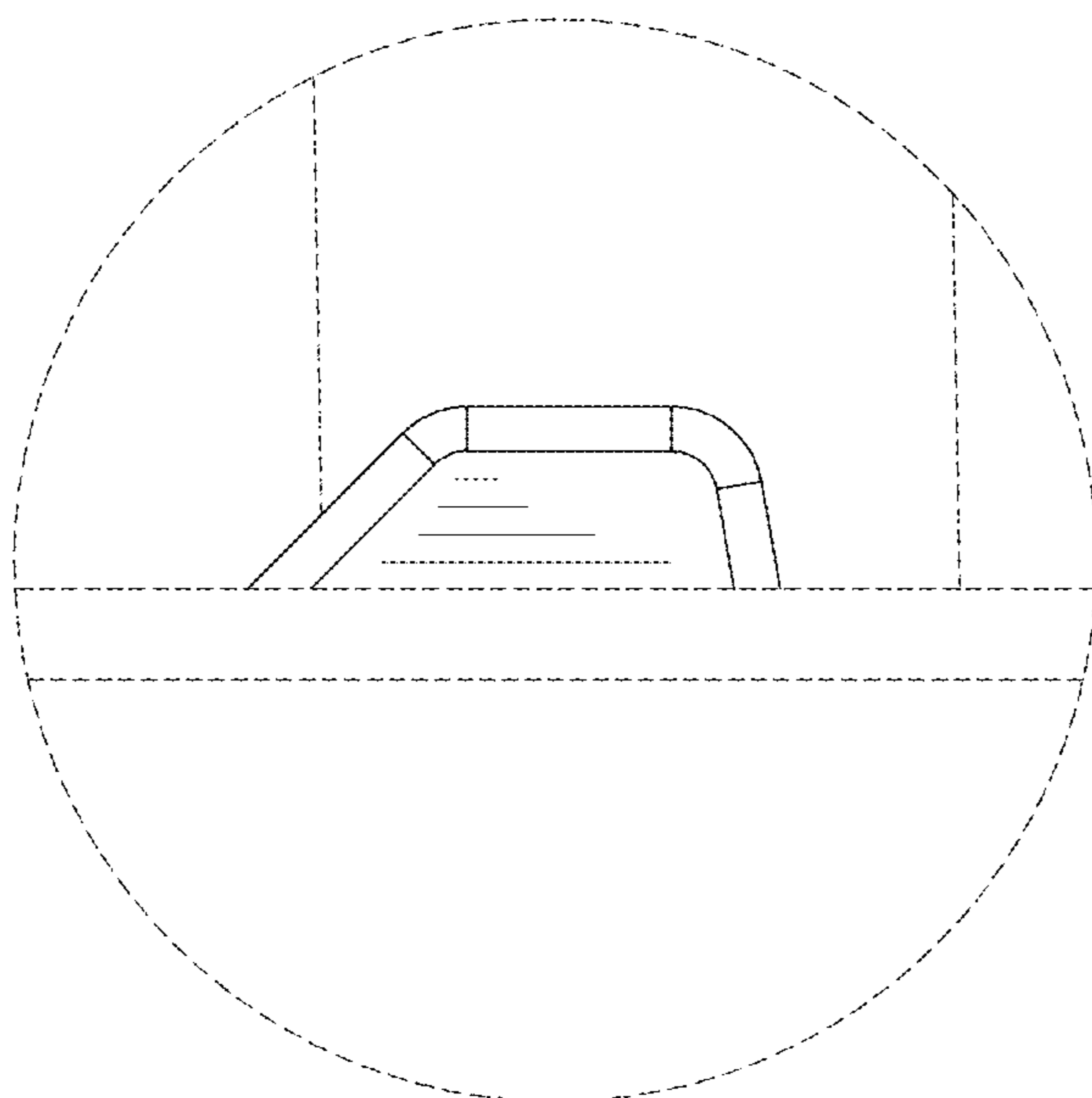


FIG. 16

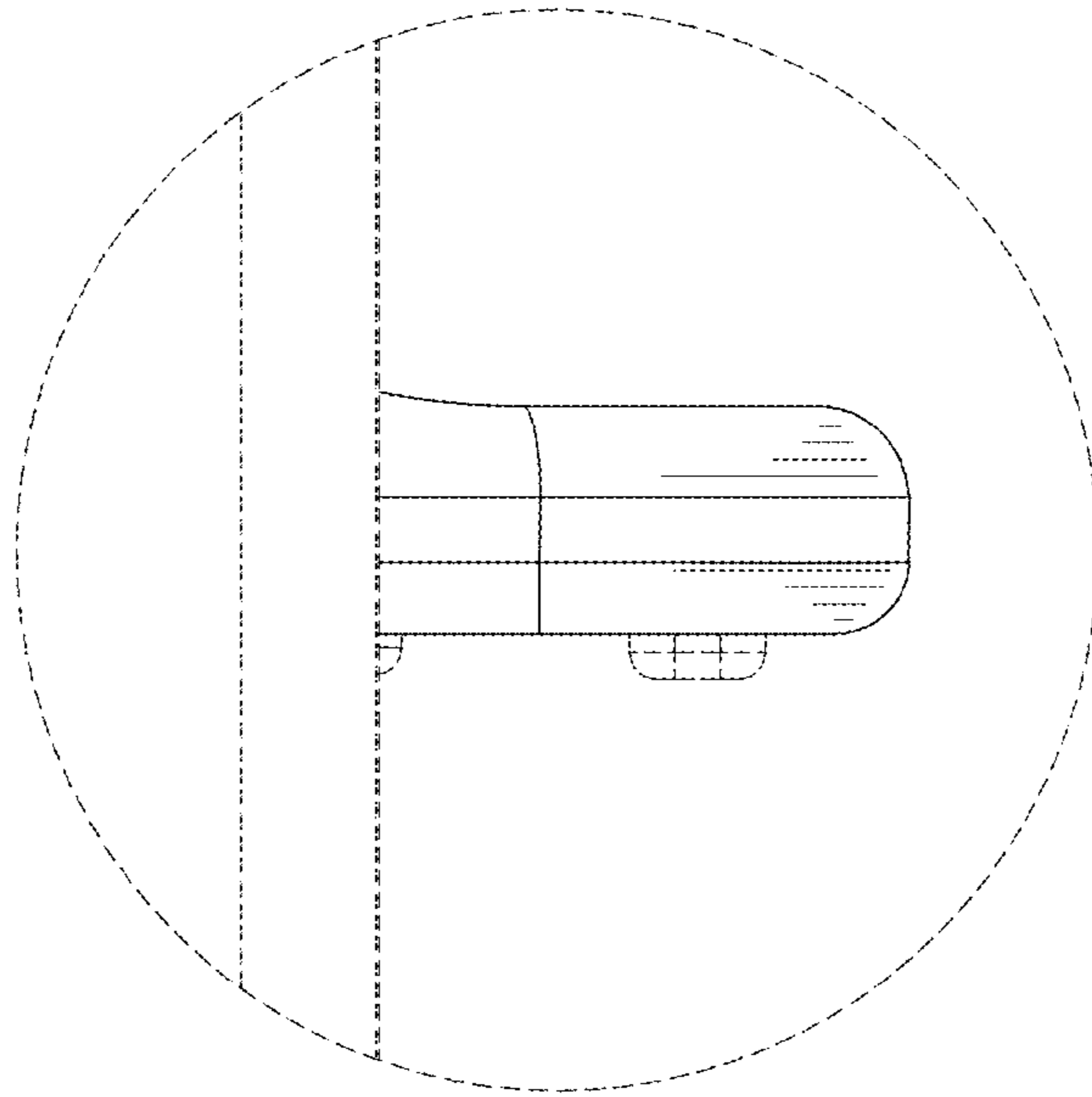


FIG. 17

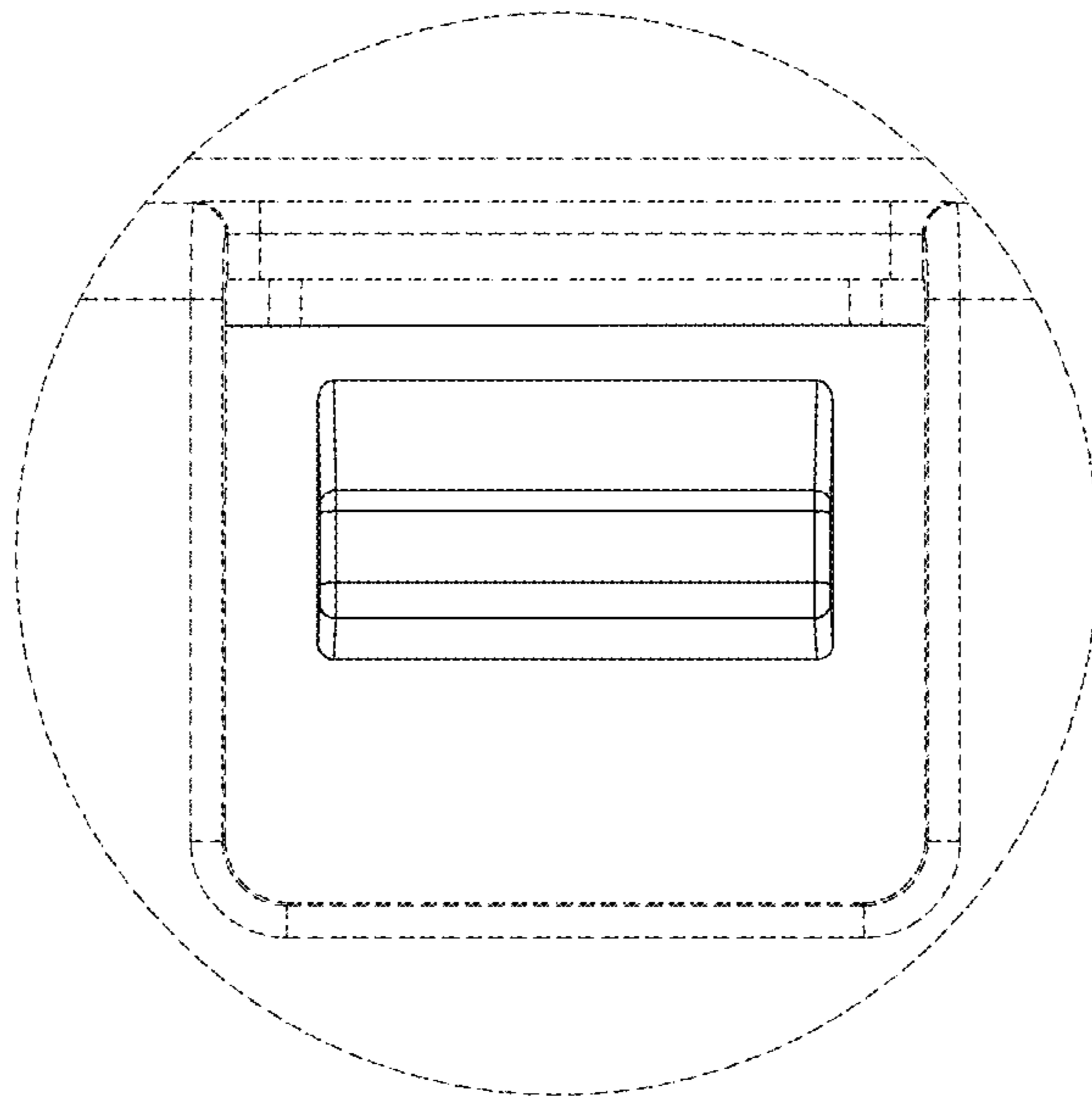


FIG. 18