



US00D800216S

(12) **United States Design Patent**
Sato et al.

(10) **Patent No.:** **US D800,216 S**
(45) **Date of Patent:** **** Oct. 17, 2017**

(54) **PRINTER**

(71) Applicant: **BROTHER INDUSTRIES, LTD.**,
Nagoya-shi, Aichi-ken (JP)

(72) Inventors: **Yukihiko Sato**, Nagoya (JP); **Yusaku Seki**, Nagoya (JP); **Hiromitsu Tanaka**, Nagoya (JP)

(73) Assignee: **BROTHER INDUSTRIES, LTD.**,
Nagoya (JP)

(**) Term: **15 Years**

(21) Appl. No.: **29/541,061**

(22) Filed: **Sep. 30, 2015**

(30) **Foreign Application Priority Data**

Mar. 30, 2015 (JP) 2015-6797

(51) **LOC (10) Cl.** **14-02**

(52) **U.S. Cl.**
USPC **D18/55**

(58) **Field of Classification Search**
USPC D18/50, 54, 54.1, 55, 36-39;
D14/420-425

CPC ... B41J 3/36; B41J 3/4075; B41J 11/58; B41J
13/00; B41J 15/00; B41J 15/02; B41J
15/042; B41J 17/00; B41J 29/00; B41J
29/02; B41J 29/08; B41J 29/13; G06F
3/12; G06K 15/14

See application file for complete search history.

(56) **References Cited**

U.S. PATENT DOCUMENTS

D558,823 S * 1/2008 Alfonso D18/55
D561,251 S 2/2008 Tjin Wong Joe et al.

D609,270 S * 2/2010 Kato D18/55
D611,091 S 3/2010 Ishikawa et al.
D613,791 S * 4/2010 Yoshioka D18/55
D614,693 S * 4/2010 Kato D18/50
D647,958 S * 11/2011 Yoshioka D18/50
D649,183 S * 11/2011 Miyauchi D18/50
D660,351 S 5/2012 Larson et al.
D665,013 S * 8/2012 Ishikawa D18/50
D667,051 S * 9/2012 Sato D18/50
D675,673 S * 2/2013 Sato D18/50
D678,402 S * 3/2013 Sato D18/50
D680,581 S 4/2013 Nakata et al.
8,837,988 B1 * 9/2014 Hara B41J 29/13
399/125
D744,031 S * 11/2015 Tanaka D18/50
D752,138 S * 3/2016 Seki D18/50
D752,139 S * 3/2016 Seki D18/50
D758,483 S * 6/2016 Seki D18/50

* cited by examiner

Primary Examiner — Cathy Anne MacCormac

(74) *Attorney, Agent, or Firm* — Oliff PLC

(57) **CLAIM**

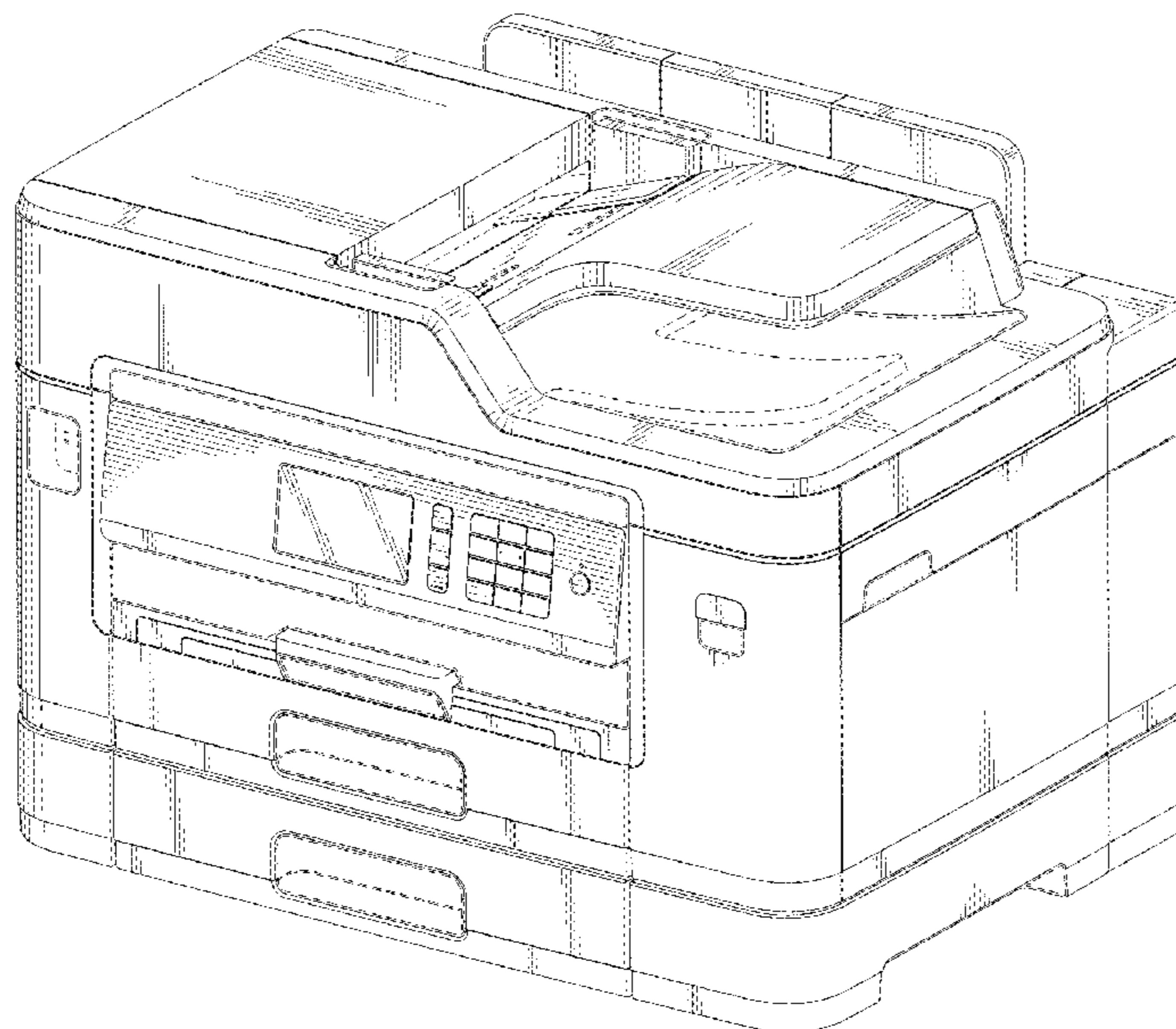
The ornamental design for a printer, as shown and described.

DESCRIPTION

FIG. 1 is a perspective view of a printer;
FIG. 2 is a front view thereof;
FIG. 3 is a top view thereof;
FIG. 4 is a right-side view thereof;
FIG. 5 is a left-side view thereof;
FIG. 6 is a rear view thereof; and,
FIG. 7 is a bottom view thereof.

The broken lines depict environmental subject matter only and form no part of the claimed design.

1 Claim, 7 Drawing Sheets



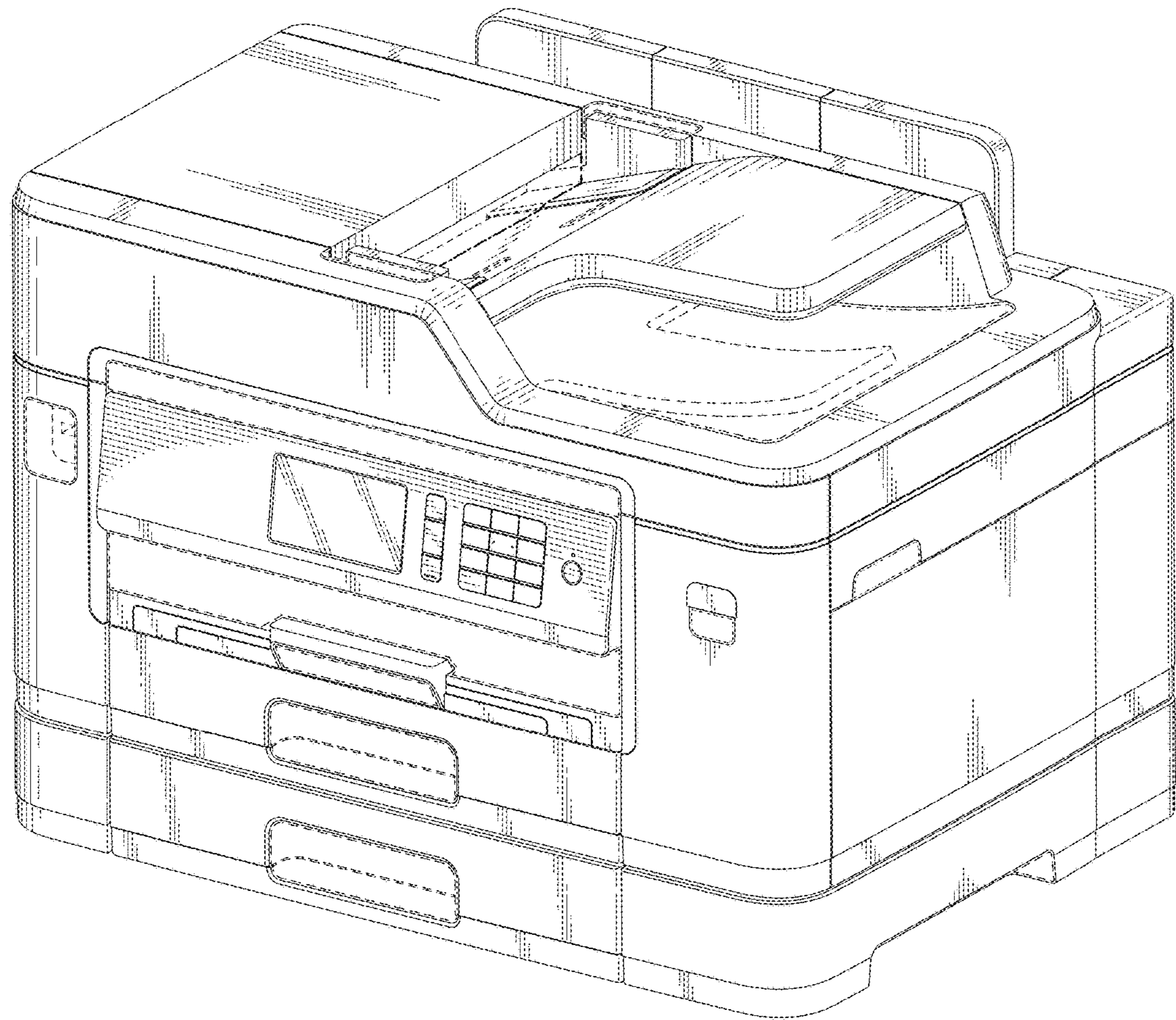


FIG. 1

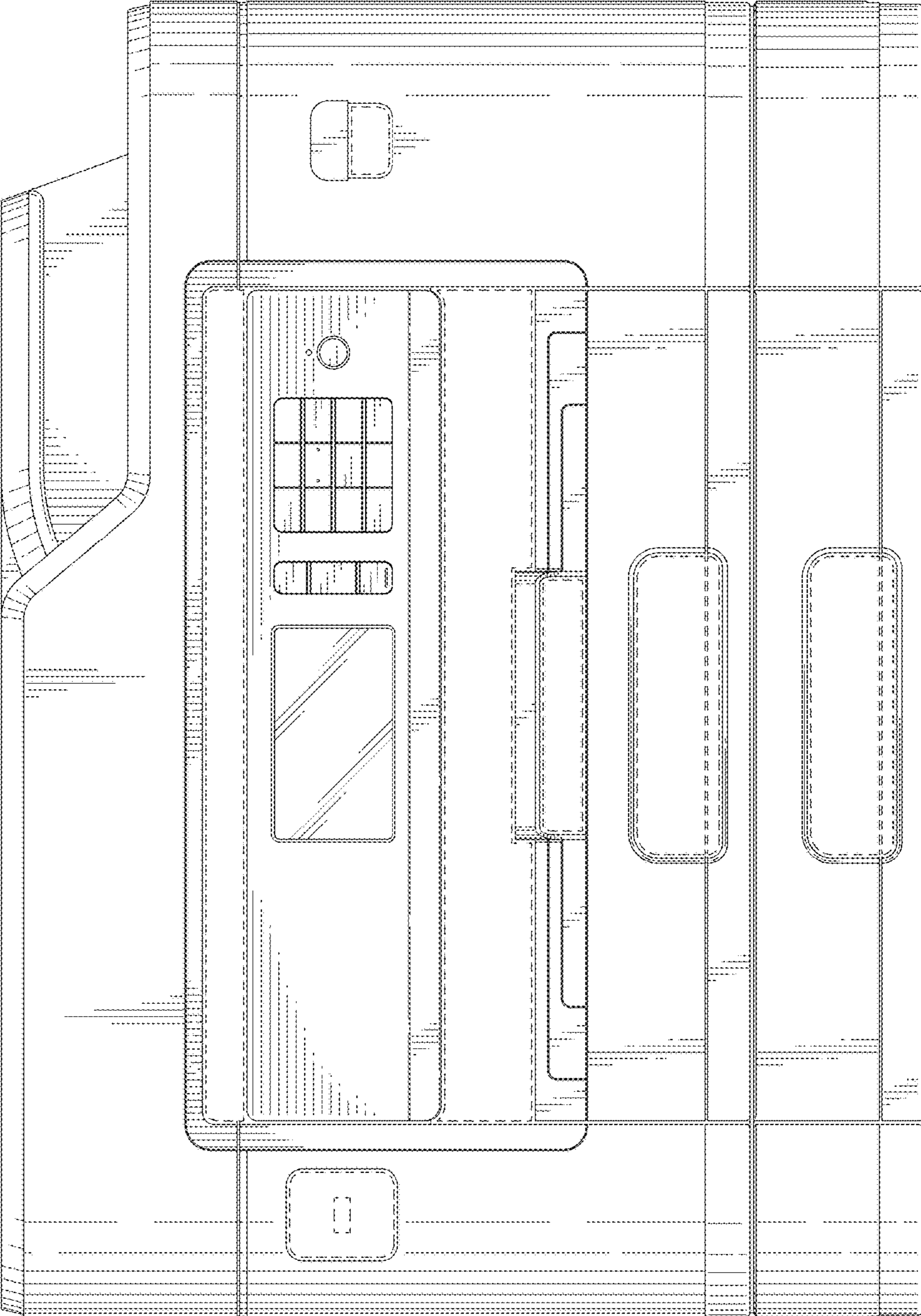


FIG. 2

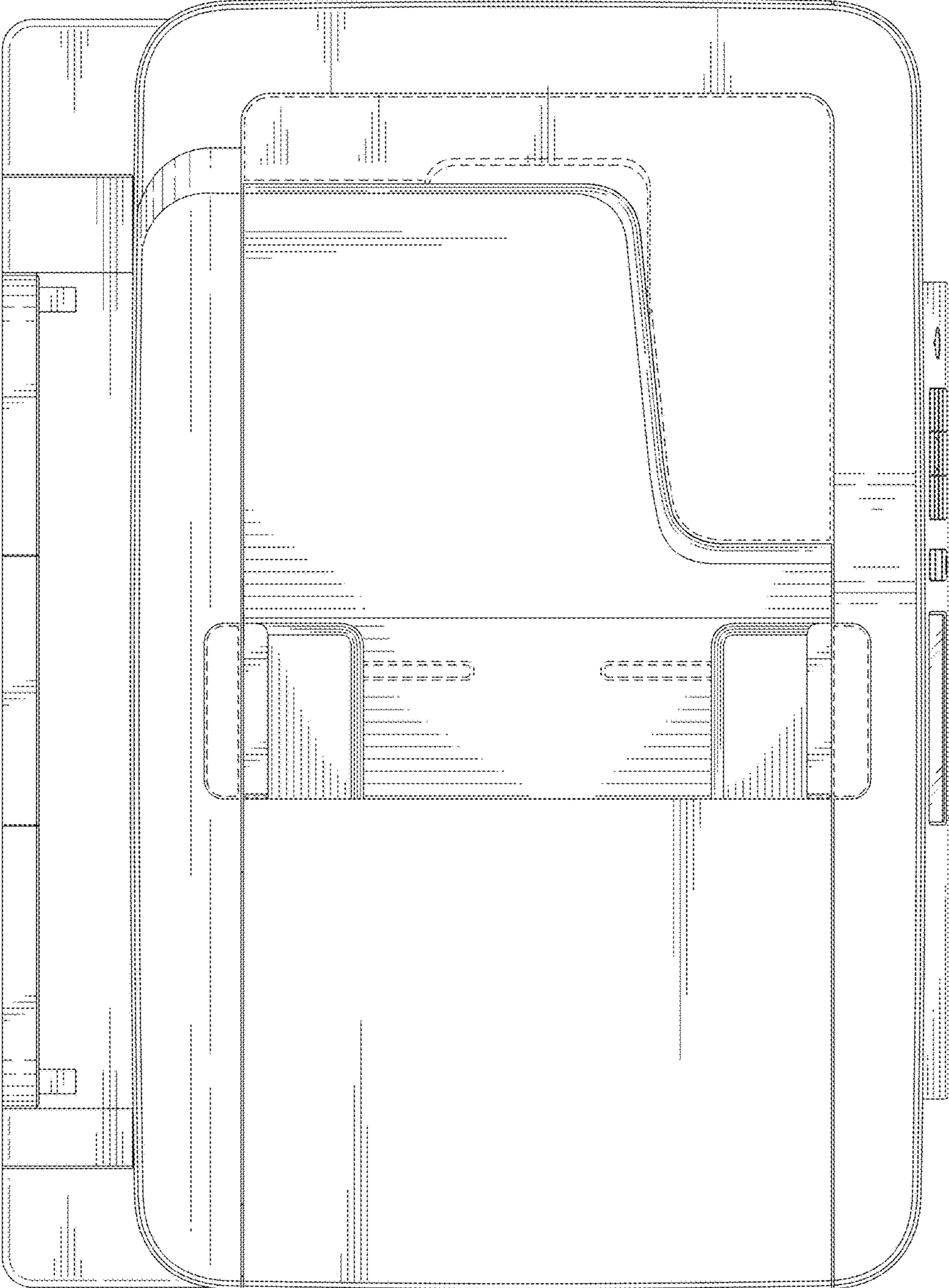


FIG. 3

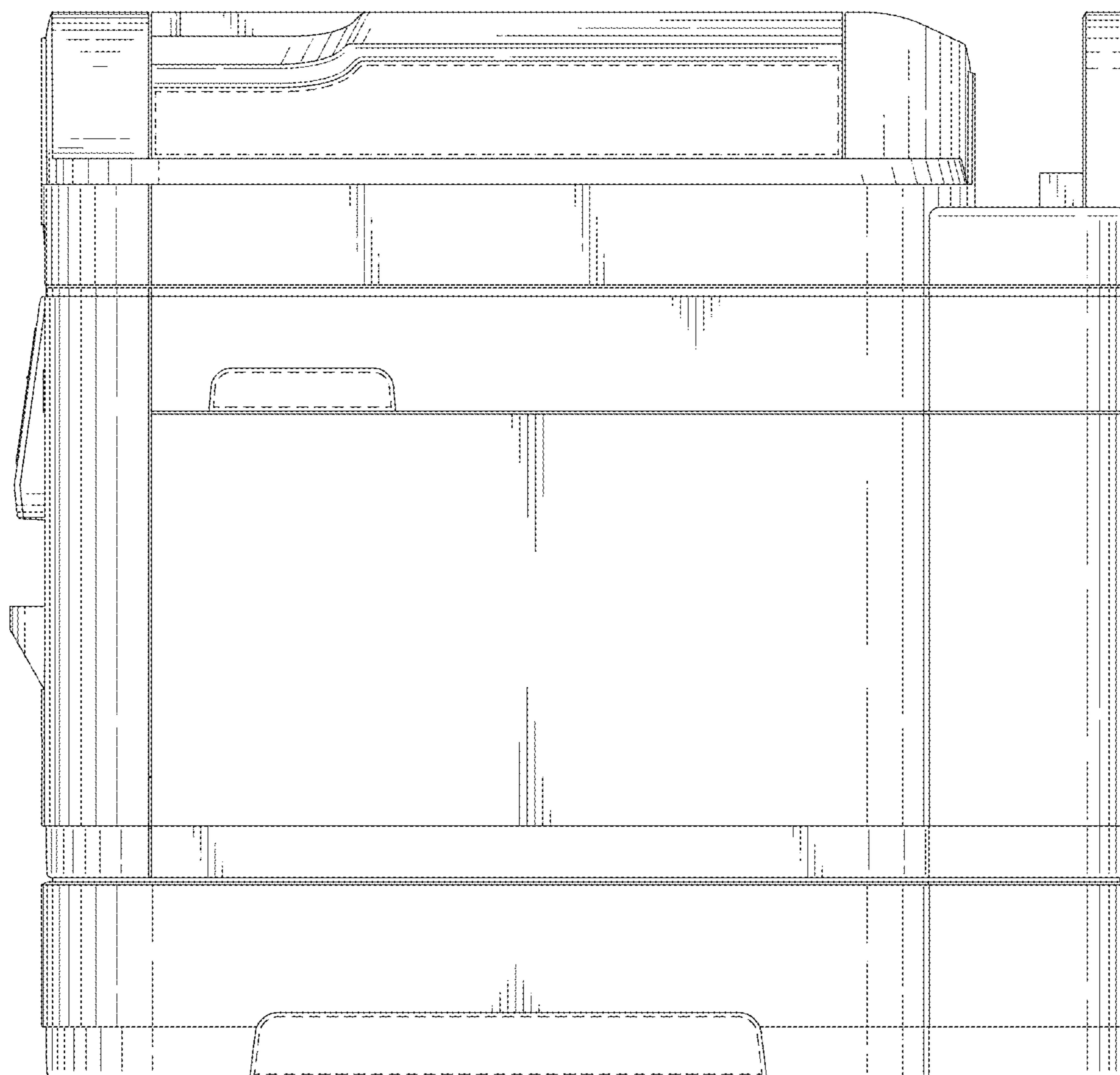


FIG. 4

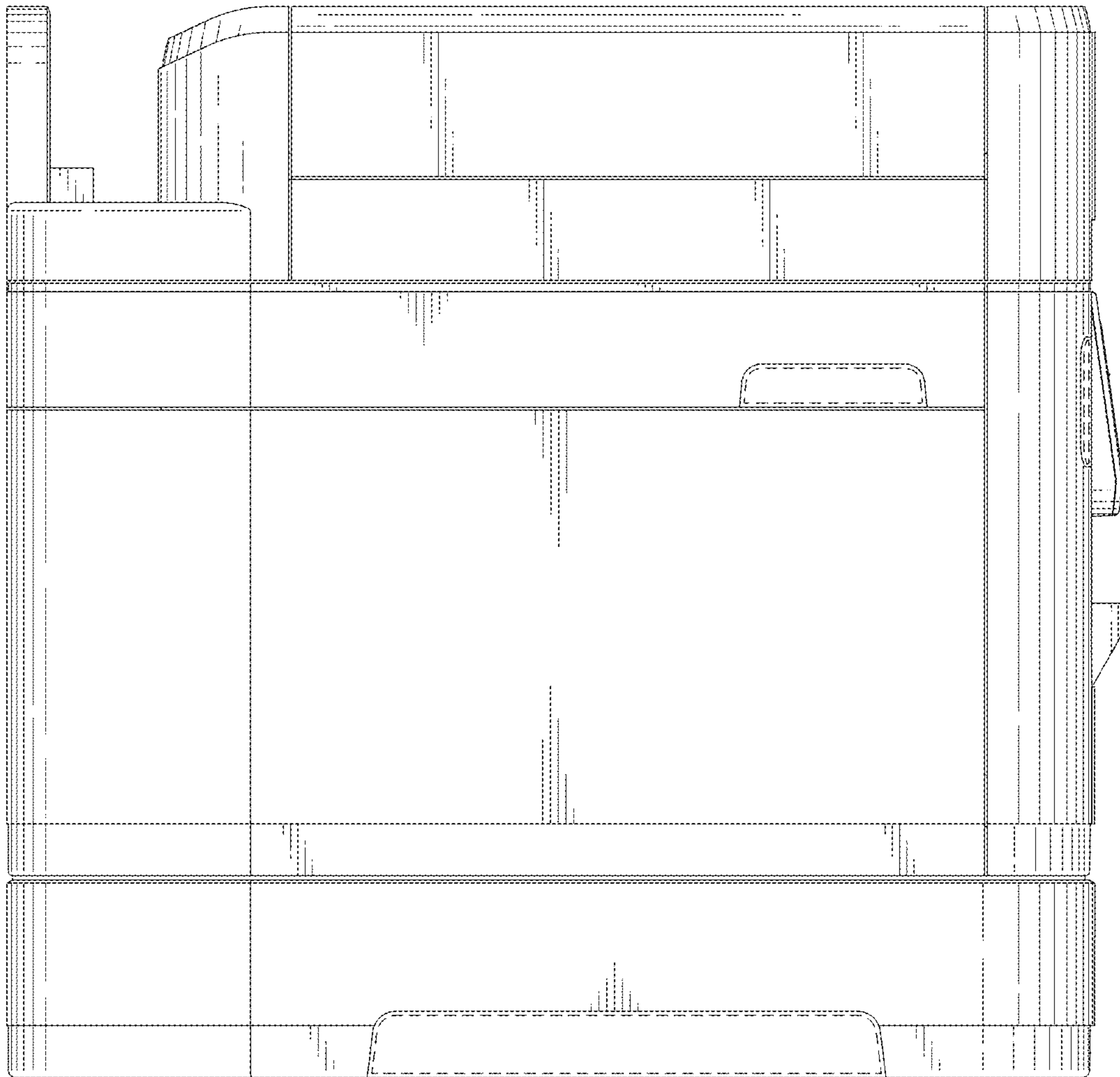


FIG. 5

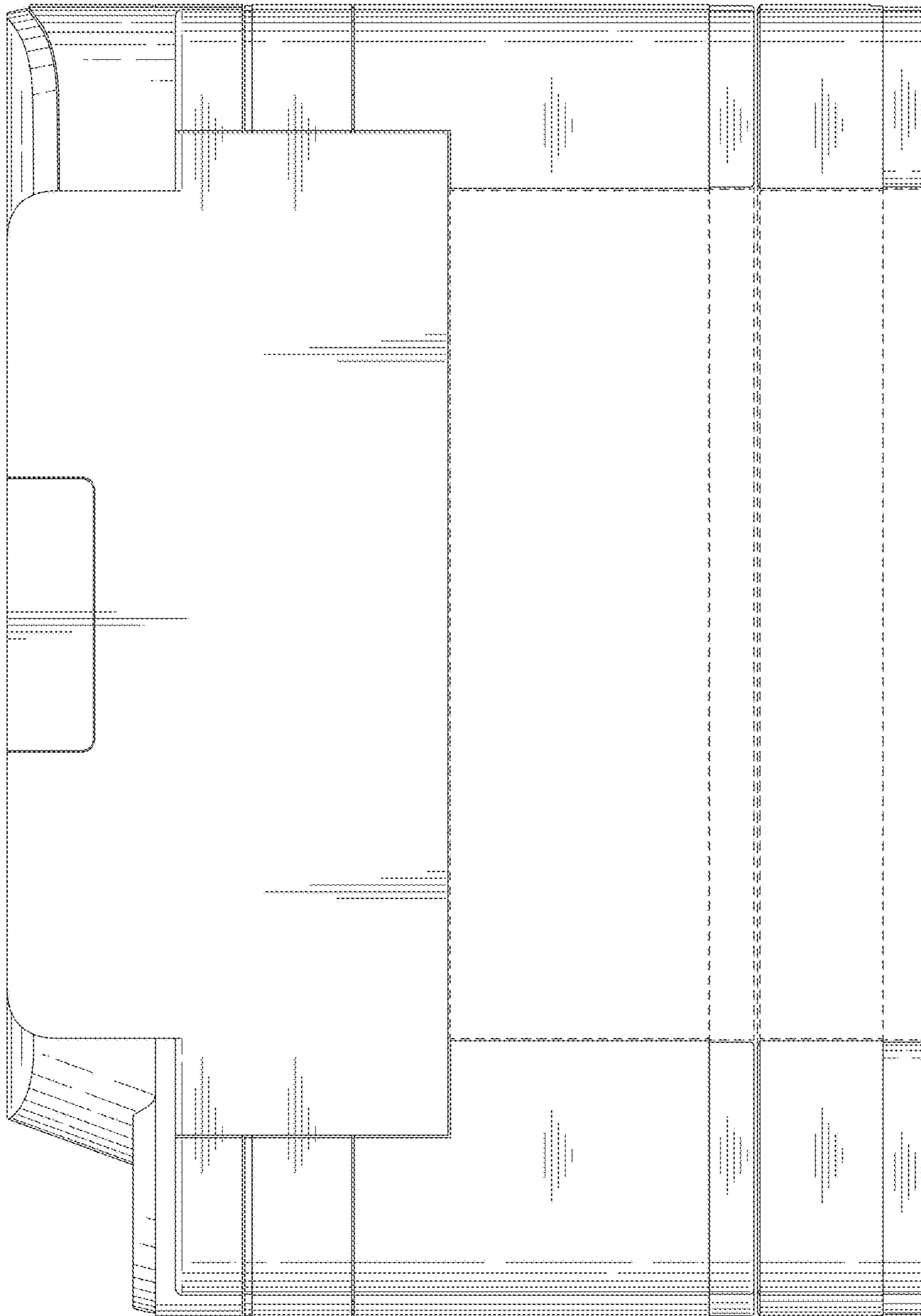


FIG. 6

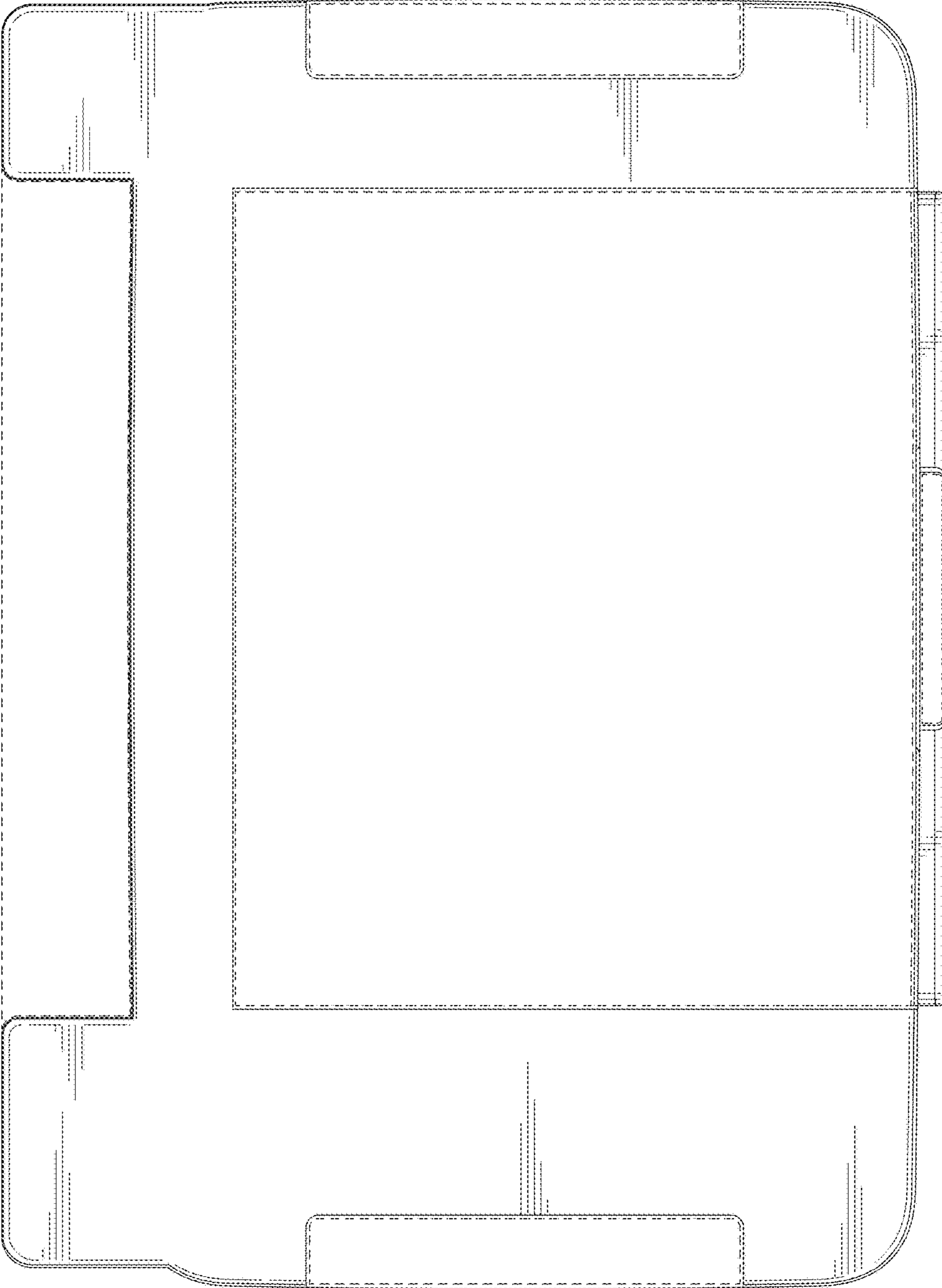


FIG. 7