



US00D800212S

(12) **United States Design Patent**
Nanno et al.

(10) **Patent No.:** **US D800,212 S**
(45) **Date of Patent:** **** Oct. 17, 2017**

(54) **TAPE PRINTING MACHINE**

(71) Applicant: **BROTHER INDUSTRIES, LTD.**,
Nagoya-shi, Aichi-ken (JP)

(72) Inventors: **Tomoyuki Nanno**, Nagoya (JP);
Nobuyuki Iwai, Chita-gun (JP);
Takaaki Oguchi, Nagakute (JP)

(73) Assignee: **BROTHER INDUSTRIES, LTD.**,
Nagoya-shi (JP)

(**) Term: **15 Years**

(21) Appl. No.: **29/540,447**

(22) Filed: **Sep. 24, 2015**

(30) **Foreign Application Priority Data**

Mar. 31, 2015 (JP) 2015-7052

(51) **LOC (10) Cl.** **19-02**

(52) **U.S. Cl.**
USPC **D18/19**

(58) **Field of Classification Search**
USPC D18/19, 50, 14, 54, 36-37; D19/68;
D14/314, 332, 348-349, 351, 352;
D7/605

CPC B41J 3/4075; B65C 11/00; B65C 11/02;
B65C 11/0205; B65C 11/021; B65C
11/0215; B65C 11/0221; B65C 11/0226;
B65C 11/0231; B65C 11/0236; B65C
11/0242; B65C 11/0252; B65C 11/0257;
B65C 11/0268; B65C 11/0273; B65C
11/0284; B65C 11/0289; B65C 11/0294;
B65C 11/04; B65C 11/046; B65C 11/06;
B65C 11/062; B65C 11/064; B65C
11/066; B65C 11/068

See application file for complete search history.

(56) **References Cited**

U.S. PATENT DOCUMENTS

D516,121 S * 2/2006 Suzuki D16/237
D518,095 S * 3/2006 Suzuki D16/237

D518,852 S * 4/2006 Suzuki D16/237
D519,551 S * 4/2006 Suzuki D18/55
D562,883 S * 2/2008 Inoue D18/50
(Continued)

FOREIGN PATENT DOCUMENTS

CN 302803435 * 4/2014
JP D1363765 * 6/2009
(Continued)

OTHER PUBLICATIONS

Brother. <URL: https://www.brother-usa.com/Labeling_Solutions/ModelDetail/7/PTD800W/Overview.> Visited May 19, 2017.
Brother PT-D800W label printer.*
(Continued)

Primary Examiner — Bridget L Eland
Assistant Examiner — Lauren McVey
(74) *Attorney, Agent, or Firm* — Oliff PLC

(57) **CLAIM**

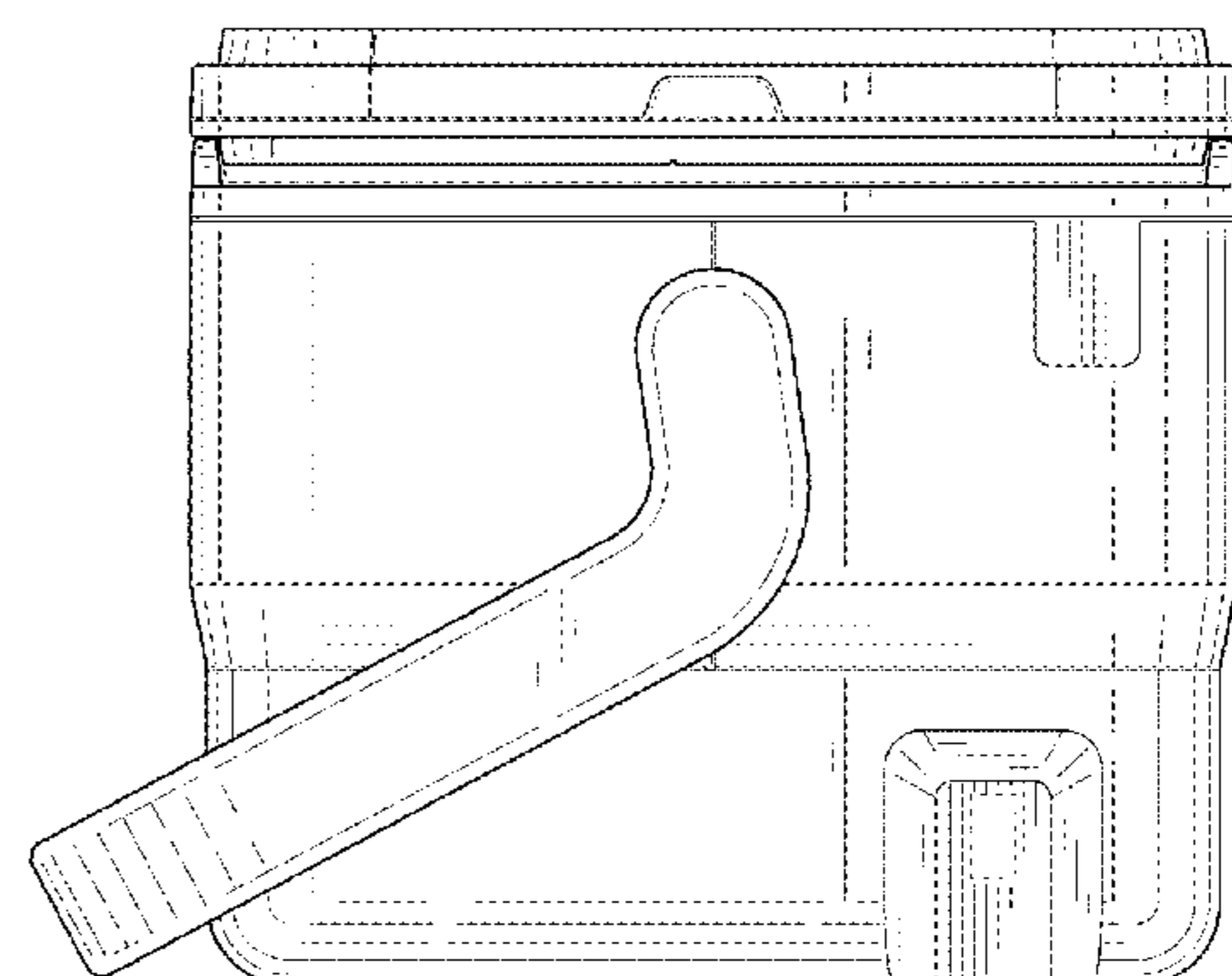
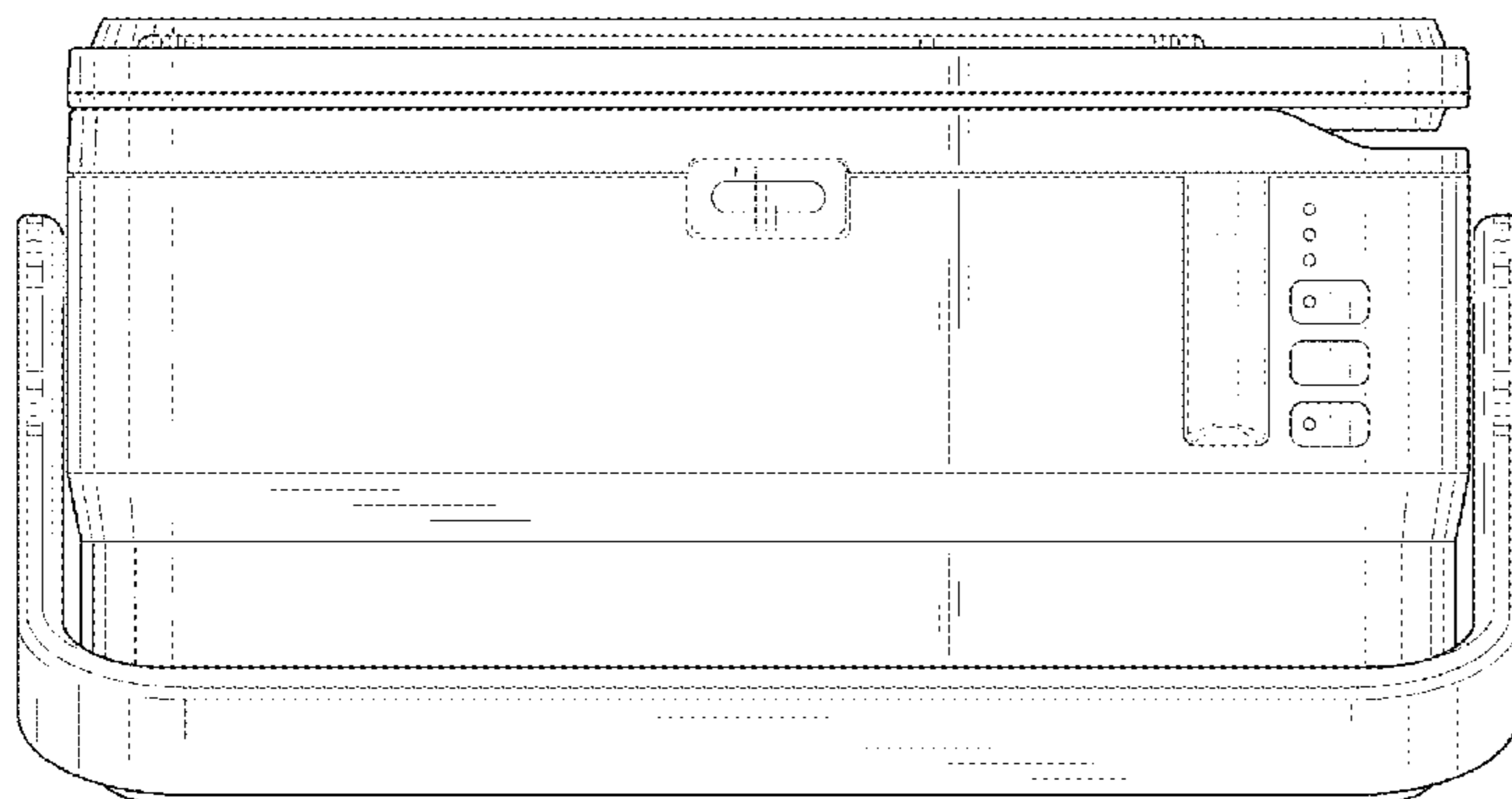
The ornamental design for a tape printing machine, as shown and described.

DESCRIPTION

FIG. 1 is a perspective view of a tape printing machine;
FIG. 2 is a front view thereof;
FIG. 3 is a top view thereof;
FIG. 4 is a left-side view thereof;
FIG. 5 is a right-side view thereof;
FIG. 6 is a rear view thereof; and,
FIG. 7 is a bottom view thereof.

The broken lines that are immediately adjacent to the claim represent the bounds of the claim, while all other broken lines are directed to environment; the broken lines form no part of the claimed design.

1 Claim, 4 Drawing Sheets



(56)

References Cited

U.S. PATENT DOCUMENTS

D582,974 S * 12/2008 Inoue D18/50
D667,051 S * 9/2012 Sato D18/50
D730,437 S * 5/2015 Seki D18/50
D744,031 S * 11/2015 Tanaka D18/50
D752,138 S * 3/2016 Seki D18/50
D770,565 S * 11/2016 Tanaka D18/50
D786,341 S * 5/2017 Iwai D18/50
2017/0021648 A1 * 1/2017 Tanizaki B41J 3/4075

FOREIGN PATENT DOCUMENTS

JP 2016190352 A * 11/2016
JP 2016190364 A * 11/2016
JP 2016190366 A * 11/2016
KR WO 2008056873 A1 * 5/2008 A45C 11/24
RU 00078448 * 5/2011

OTHER PUBLICATIONS

Brother via mycloud. <URL: <https://files.mycloud.com/home.php?brand=webfiles&seuuiid=cedf8f4d860e65ad516ca2b1061d4f1&name=PT-D800W>.> Aug. 1, 2016. Product brochure: Brother PT-D800W label printer.*

* cited by examiner

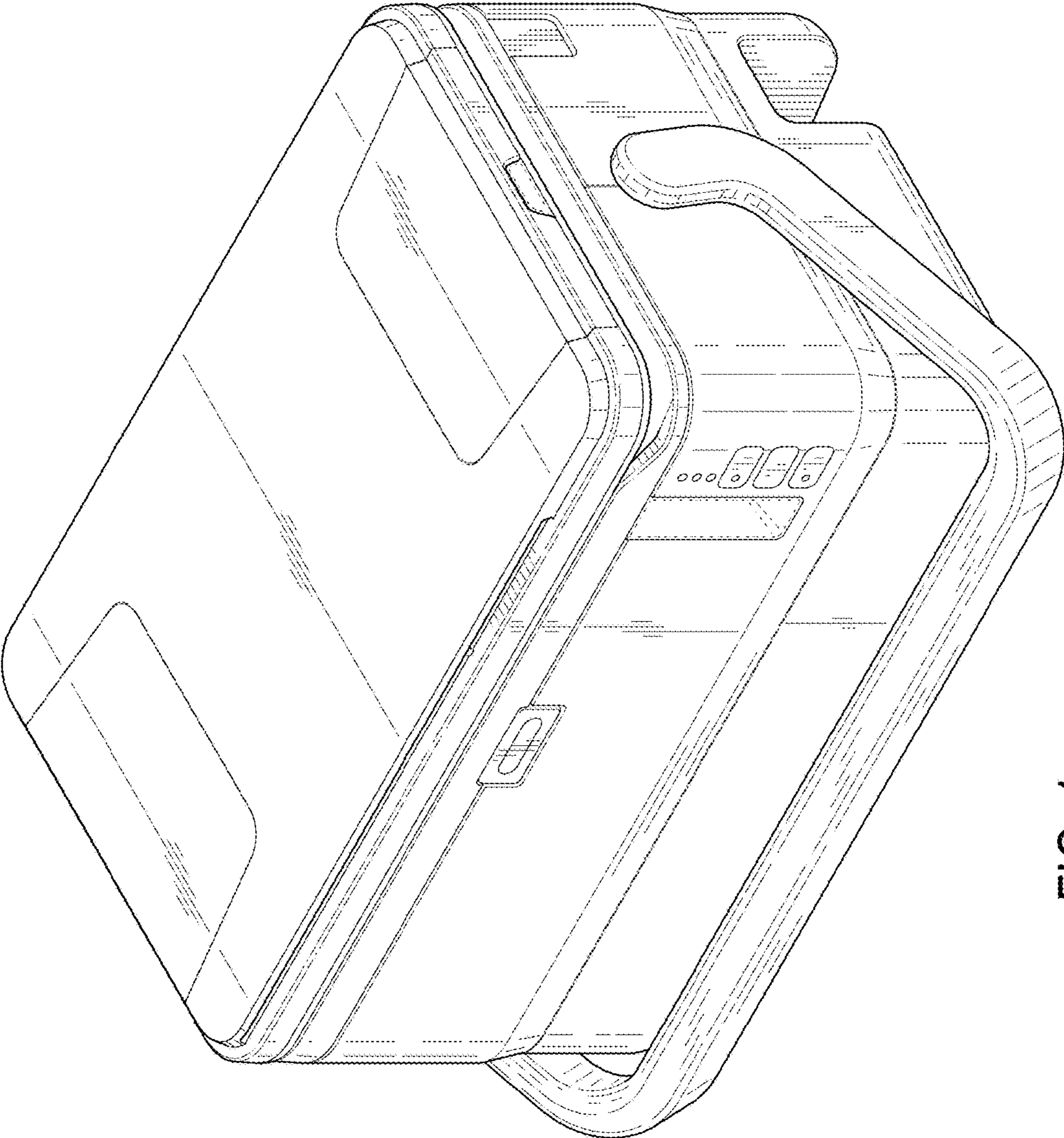


FIG. 1

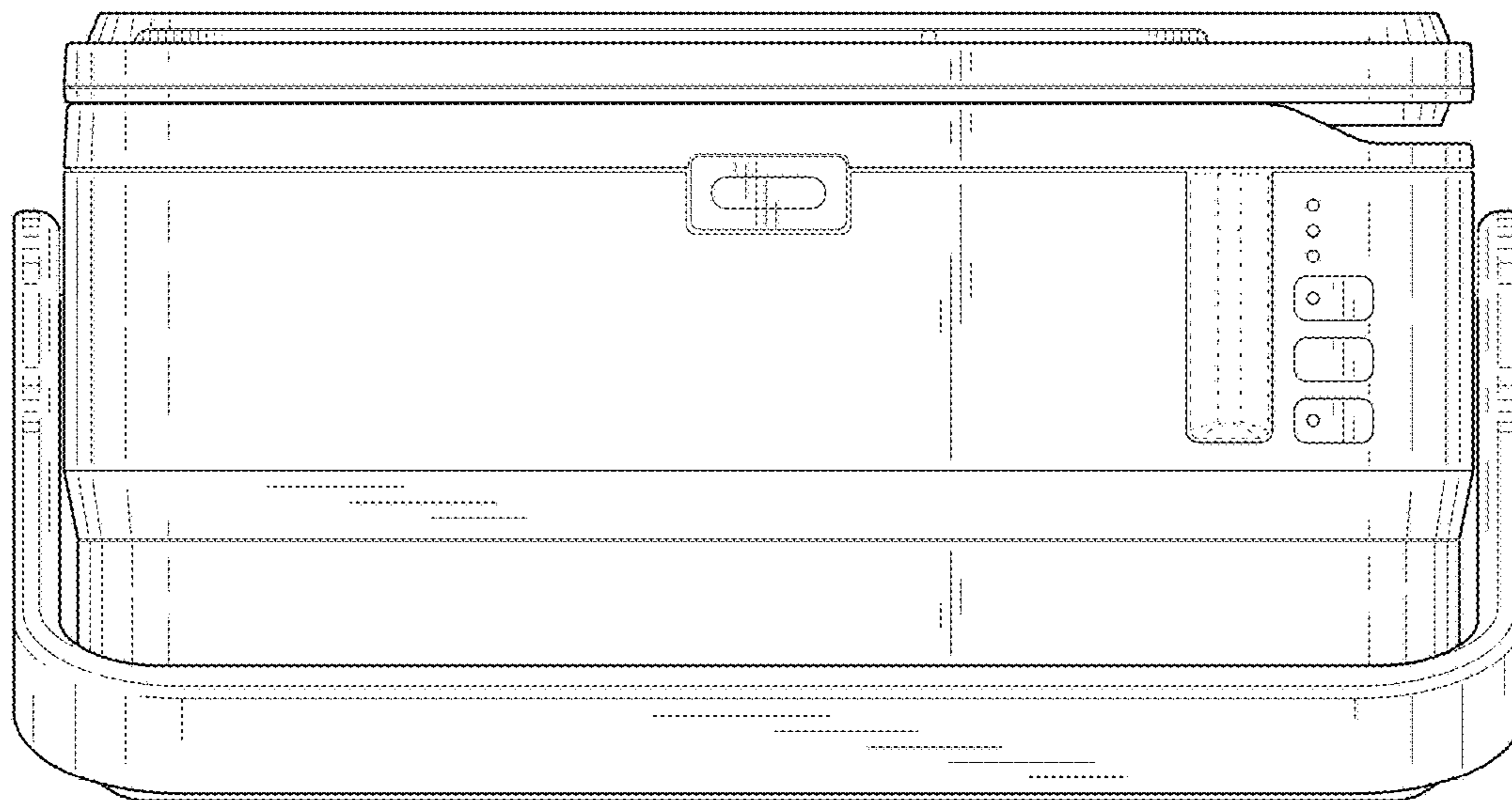


FIG. 2

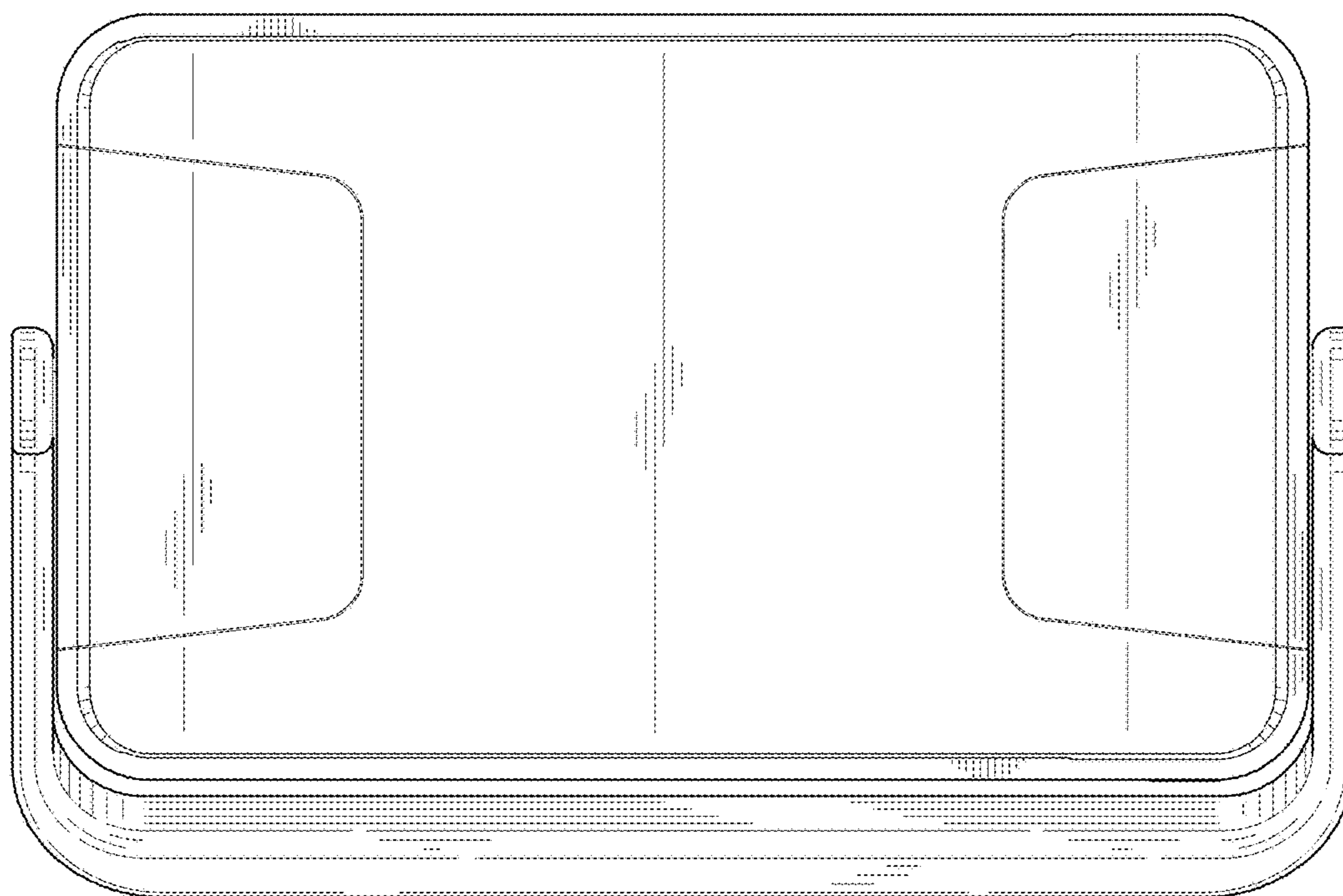


FIG. 3

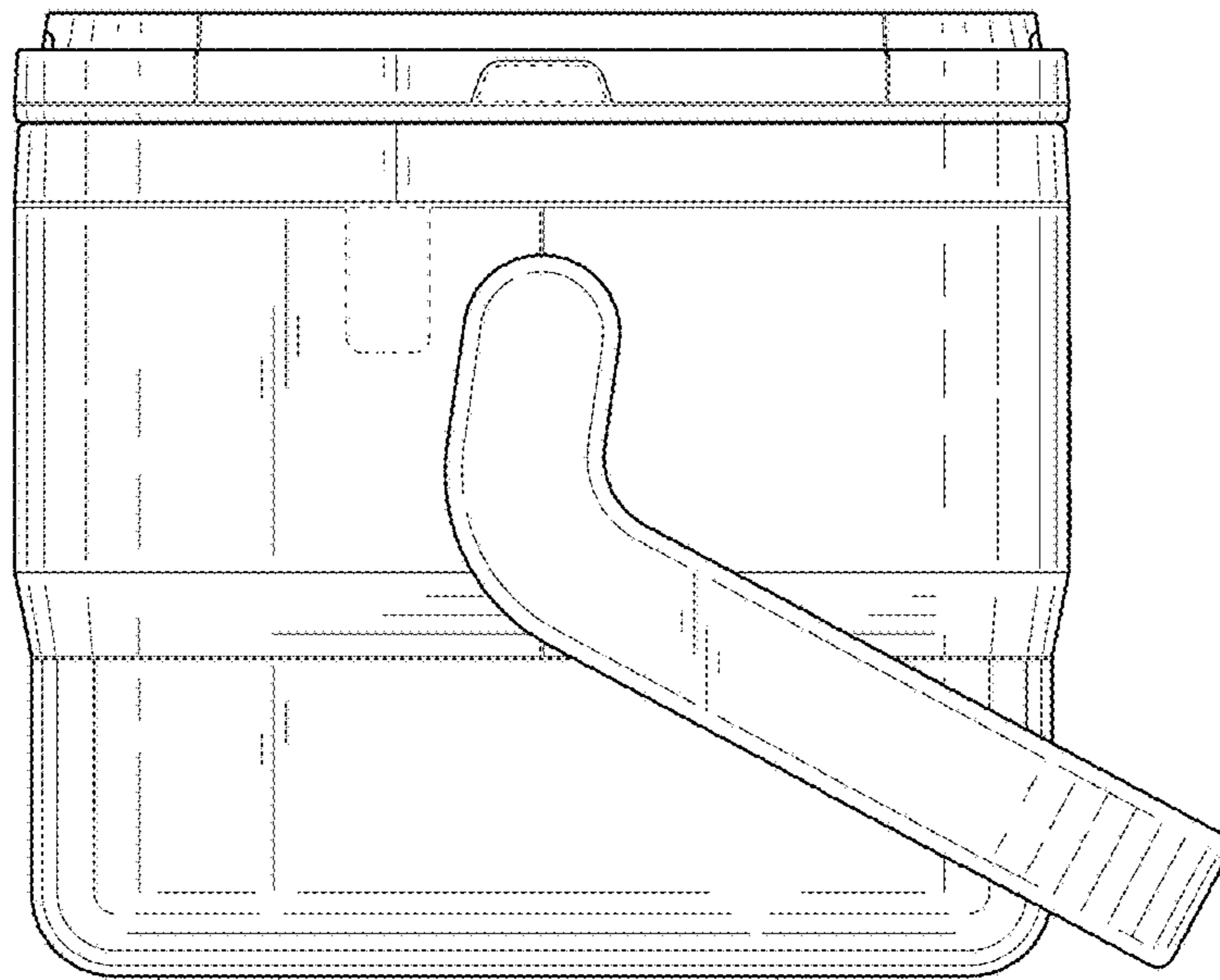


FIG. 4

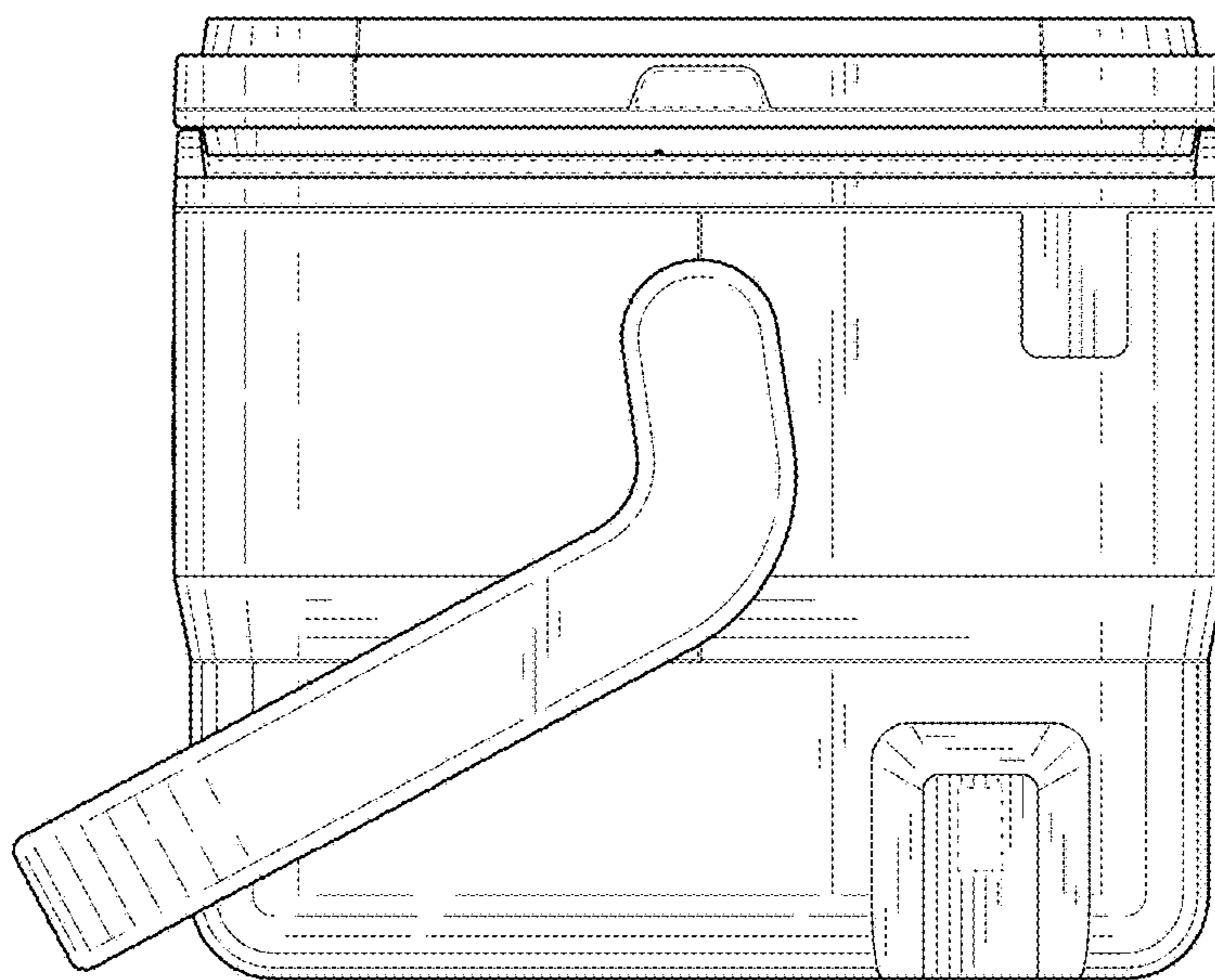


FIG. 5

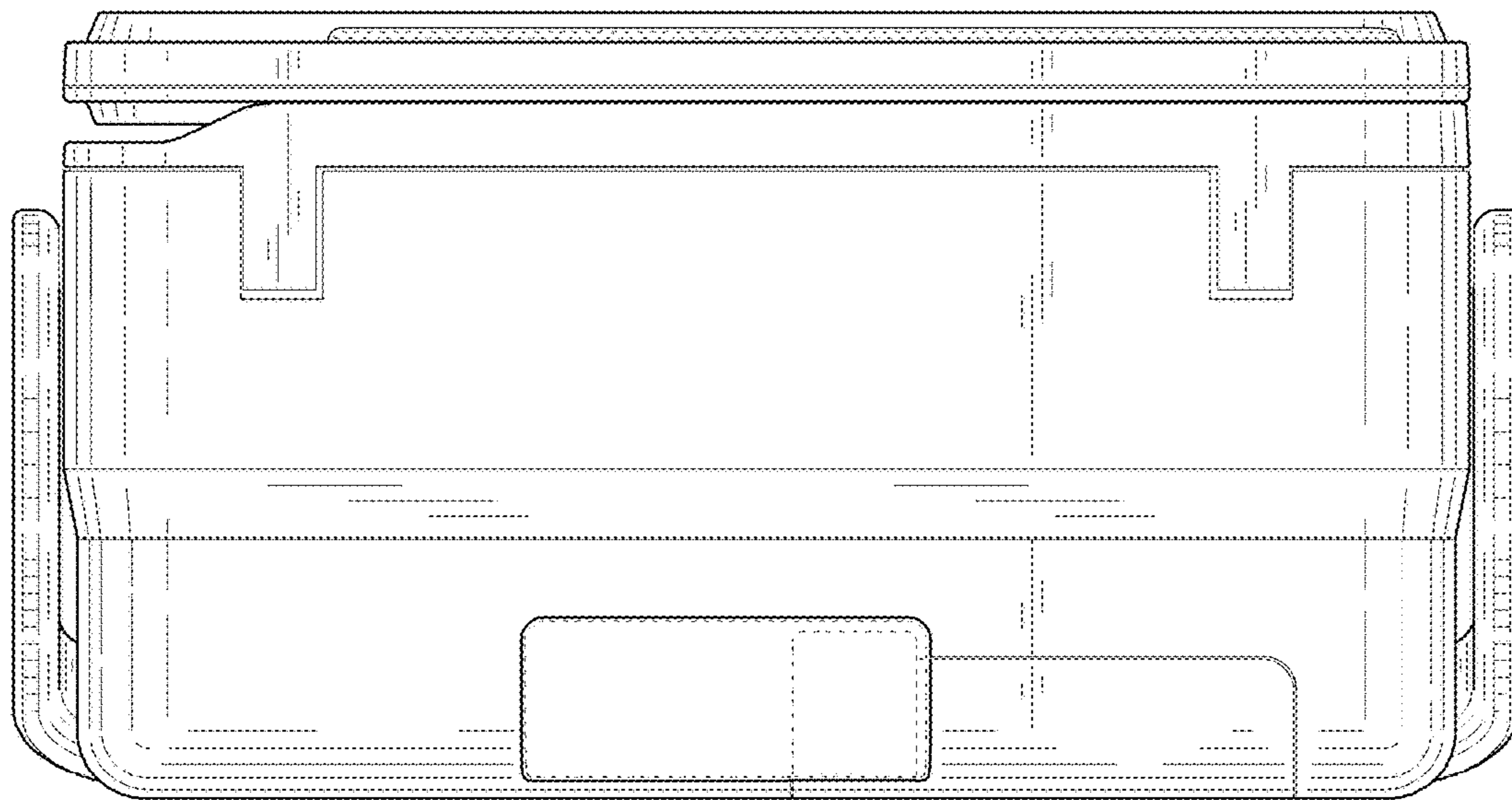


FIG. 6

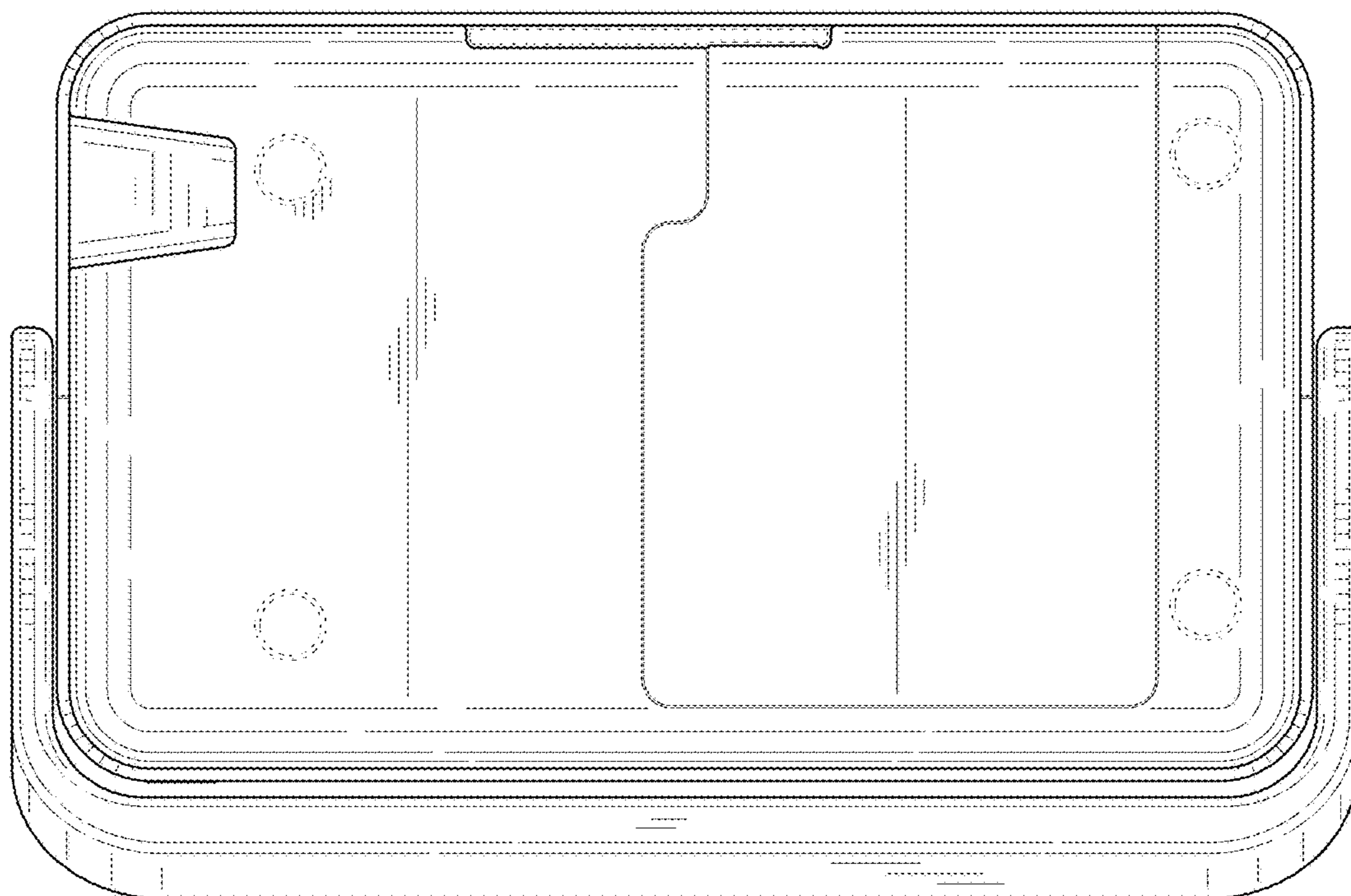


FIG. 7