



US00D800207S

(12) **United States Design Patent** (10) **Patent No.:** **US D800,207 S**
Harrison et al. (45) **Date of Patent:** **** Oct. 17, 2017**

(54) **CAMERA MOUNT**

4,733,259 A 3/1988 Ng
4,741,283 A 5/1988 Conner
5,033,528 A * 7/1991 Volcani A45B 17/00
160/351

(71) Applicant: **GoPro, Inc.**, San Mateo, CA (US)

(72) Inventors: **Ryan Harrison**, El Granada, CA (US);
Mark E. Costa, Menlo Park, CA (US);
Seungheon Lee, Cupertino, CA (US);
Richard Gioscia, Santa Clara, CA
(US); **Soyun Kim**, Seoul (KR);
Matthew D. Thomas, Castro Valley,
CA (US); **Danilo Bueno**, Burlingame,
CA (US)

(Continued)

FOREIGN PATENT DOCUMENTS

DE 19520502 12/1996
JP 3083660 2/2002

OTHER PUBLICATIONS

Clamp Mount for Gopro Hero 5 Black, Session, Hero 4, Session,
Black, Silver, Hero+ LCD, 3+, 3, 2, 1 and Compact Cameras .
[online] Retrieved May 16, 2017 from URL: <<https://www.amazon.com/ClampSessionSilverCompactCameras/dp/B00NIBQXGS>>.*

(Continued)

(73) Assignee: **GoPro, Inc.**, San Mateo, CA (US)

(**) Term: **15 Years**

(21) Appl. No.: **29/561,949**

(22) Filed: **Apr. 21, 2016**

Related U.S. Application Data

(63) Continuation of application No. 29/526,262, filed on
May 7, 2015, now Pat. No. Des. 758,474.

(51) **LOC (10) Cl.** **16-05**

(52) **U.S. Cl.**
USPC **D16/245**

(58) **Field of Classification Search**

USPC D16/206, 219, 235, 237-250; D14/224,
D14/229, 238, 251, 447, 451, 457;
D8/354, 355, 363, 367-371, 373,
D8/382-383, 394-396
CPC G03B 17/56; G03B 17/561-17/568; G02B
7/00-7/002; H04N 5/2253-5/2254; F16M
11/04-11/12; A45F 5/00; A45F 5/10;
A45F 2200/0508-2200/0533

See application file for complete search history.

(56) **References Cited**

U.S. PATENT DOCUMENTS

3,084,409 A 4/1963 Griffiths
3,757,363 A 9/1973 Langlais

Primary Examiner — Vy Koenig

(74) *Attorney, Agent, or Firm* — Fenwick & West LLP

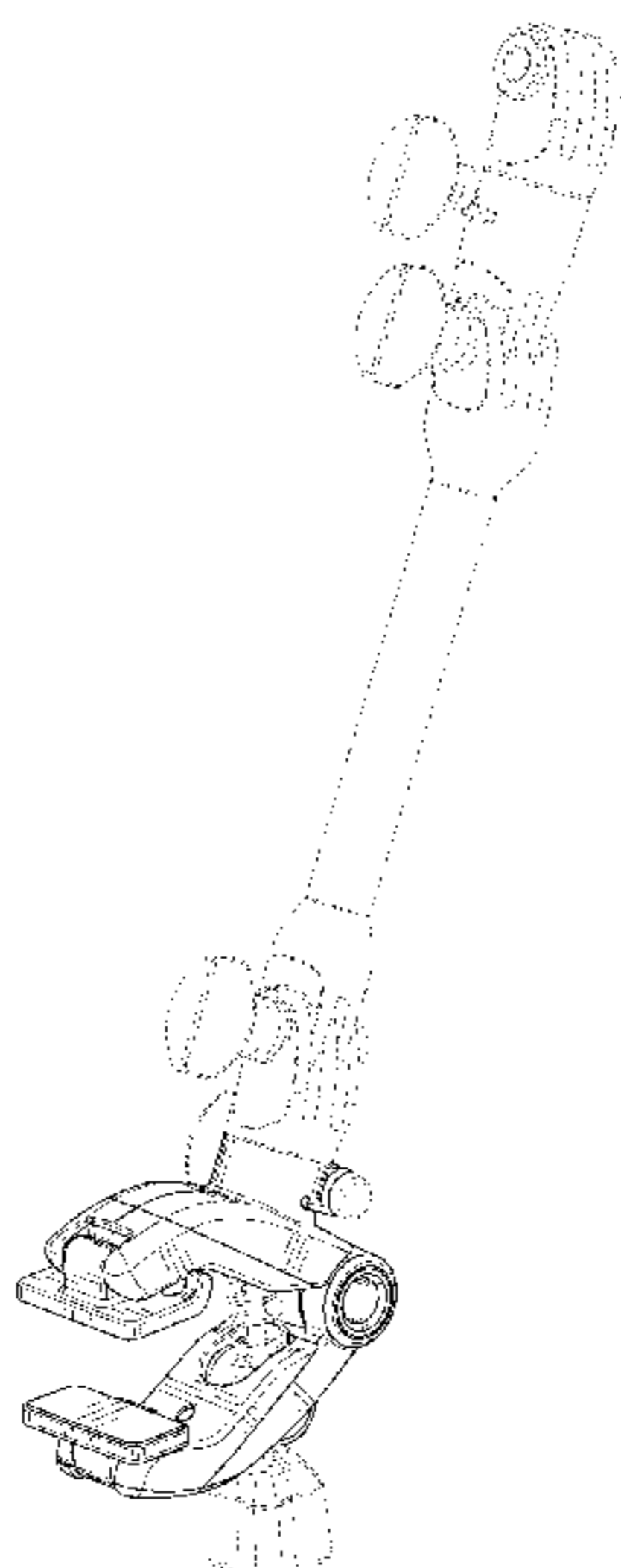
(57) **CLAIM**

The ornamental design for a camera mount, as shown and
described.

DESCRIPTION

FIG. 1 is a front, top, and right side perspective view of a
camera mount;
FIG. 2 is a rear, bottom, and left side perspective view
thereof;
FIG. 3 is a left side elevational view thereof;
FIG. 4 is a right side elevational view thereof;
FIG. 5 is a rear elevational view thereof;
FIG. 6 is a front elevational view thereof;
FIG. 7 is a top plan view thereof; and,
FIG. 8 is a bottom plan view thereof.
The broken lines in the drawings are included for the
purpose of illustrating environmental structure and form no
part of the claimed design.

1 Claim, 8 Drawing Sheets



(56)

References Cited

U.S. PATENT DOCUMENTS

5,092,552 A 3/1992 Dayton
 5,103,384 A * 4/1992 Drohan F16M 11/40
 362/190
 D328,088 S 7/1992 Horino
 D350,892 S * 9/1994 Sorensen D8/395
 5,397,268 A 3/1995 Chang et al.
 5,398,176 A 3/1995 Ahuja
 5,400,234 A 3/1995 Yu
 5,435,045 A 7/1995 Anscher
 5,449,206 A 9/1995 Lockwood
 5,702,175 A 12/1997 Chen
 D394,669 S * 5/1998 Becker 224/908
 5,791,210 A 8/1998 Wolff et al.
 5,847,883 A 12/1998 Rispoli, Sr.
 D405,457 S 2/1999 Kawashima
 D411,220 S * 6/1999 Surabian 224/908
 6,142,437 A 11/2000 Wilkins, Jr.
 D442,047 S * 5/2001 Hicks D8/395
 6,244,759 B1 6/2001 Russo
 D451,939 S * 12/2001 Roh D16/202
 6,357,710 B1 3/2002 Fielden et al.
 6,581,889 B2 6/2003 Carpenter et al.
 6,626,210 B2 9/2003 Luetzgen et al.
 6,681,971 B2 1/2004 Laverack et al.
 6,705,578 B2 3/2004 Mulford
 6,799,356 B2 10/2004 Sanchez
 6,840,485 B2 1/2005 Richter
 6,842,951 B1 1/2005 Barre et al.
 6,847,394 B1 1/2005 Hansen et al.
 D502,956 S 3/2005 Holmes
 6,983,930 B1 1/2006 La Mendola et al.
 D515,613 S 2/2006 Holmes
 7,120,461 B2 10/2006 Cho
 7,128,297 B2 10/2006 Lee
 7,174,607 B1 * 2/2007 Buettell A45F 5/00
 24/499
 7,422,184 B2 9/2008 Carnevali
 7,533,906 B2 5/2009 Luetzgen et al.
 7,766,313 B2 8/2010 Panosian
 7,798,452 B1 9/2010 Wessells et al.
 7,861,985 B2 1/2011 Galvin
 7,891,615 B2 2/2011 Bevirt
 7,926,774 B1 4/2011 Wilson
 8,014,656 B2 9/2011 Woodman
 8,128,046 B1 * 3/2012 Howard, Jr. A45F 5/02
 224/930
 D665,007 S * 8/2012 Gooch F16M 11/12
 D16/242
 8,297,566 B2 10/2012 Bevirt
 D670,284 S 11/2012 Choi
 8,602,662 B1 12/2013 Mans
 8,727,290 B1 5/2014 De La Matta et al.
 8,740,160 B2 6/2014 Bevirt
 8,857,775 B1 10/2014 Clearman et al.
 9,074,721 B2 7/2015 Lau
 D746,353 S 12/2015 Woodman
 D750,476 S * 3/2016 Huang D8/395
 D750,611 S * 3/2016 Manibog D14/252
 D751,377 S * 3/2016 Duffy D8/395
 D757,841 S * 5/2016 Chuang D16/242
 D758,474 S * 6/2016 Harrison D16/242
 D768,754 S * 10/2016 Bennett D16/242
 D771,465 S * 11/2016 Wenning D8/72
 9,596,926 B1 * 3/2017 Volmer A45F 5/02
 2004/0089778 A1 5/2004 Valentine et al.
 2004/0163216 A1 8/2004 Simonson et al.
 2004/0211868 A1 10/2004 Holmes et al.
 2004/0223752 A1 11/2004 Ghanouni et al.
 2005/0196163 A1 9/2005 Mootz
 2006/0257137 A1 11/2006 Fromm
 2008/0093516 A1 4/2008 Bevirt
 2008/0117328 A1 5/2008 Daoud et al.
 2008/0248703 A1 10/2008 Russell
 2008/0283697 A1 11/2008 Darrow
 2010/0061711 A1 3/2010 Woodman

2010/0078536 A1 4/2010 Galvin
 2010/0171007 A1 7/2010 Doll et al.
 2010/0171009 A1 7/2010 Lin
 2010/0220992 A1 9/2010 Bevirt
 2011/0031359 A1 2/2011 Lu
 2011/0042530 A1 2/2011 Phillips et al.
 2011/0129210 A1 6/2011 McGucken
 2011/0192951 A1 8/2011 Gooch
 2012/0174375 A1 * 7/2012 Mcleod F16M 13/022
 29/428
 2013/0186310 A1 7/2013 Lymberis
 2013/0221169 A1 8/2013 Gooch
 2015/0108306 A1 * 4/2015 Chuang F16M 11/14
 248/231.51
 2015/0192242 A1 * 7/2015 Zhang F16M 13/02
 248/176.3
 2015/0267863 A1 * 9/2015 Chang A45B 3/00
 248/333
 2015/0316837 A1 11/2015 Maltese
 2017/0112268 A1 * 4/2017 Nowak A45F 5/00

OTHER PUBLICATIONS

Jaws: Flex Clamp. [online] Retrieved May 16, 2017 from URL: <<http://shop.gopro.com/mounts/jawflexclamp/ACMPM001.html>>.*
 PCT International Search Report and Written Opinion for PCT/US2014/046551, Aug. 28, 2014, 10 Pages.
 PCT International Search Report and Written Opinion for PCT/US2014/058465, Dec. 23, 2014, 17 pages.
 Custom Photo Manufacturing, Inc., "Light Support," Last Modified Jan. 2, 2007, 12 Pages, [Archived on Web.Archive.org], Can be retrieved from <URL:https://web.archive.org/web/20070627225605/http://www.cpmdelta1.com/light_support.htm>.
 Pashnit.com, "GoPro Idea: Creative Mounting Idea for Your GoPro!," 13 Pages, [Archived on Web.Archive.Org on Feb. 15, 2010] [online] Retrieved from the internet <URL:http://web.archive.org/web/20100215200233/http://www.pashnit.com/product/gopro/gopro_mounting.html>.
 Photojojo, "3 Tricks to Turn a Spring Clamp Into Your Best Photo Accessory," [PDF Version] Aug. 6, 2009, 4 Pages, Can be retrieved at <URL:<http://content.photojojo.com/tips/spring-clamp-diy-camera-mount/>>.
 Photojojo, "3 Tricks to Turn a Spring Clamp Into Your Best Photo Accessory," [HTML Version] Aug. 6, 2009, 3 Pages.
 Photojojo, "3 Tricks to Turn a Spring Clamp Into Your Best Photo Accessory," [PDF Version] Aug. 6, 2009, 3 Pages.
 McMaster-Carr Supply Company, Thumb Screws, No. 3061, 1 Page, Publication date unknown.
 McMaster-Carr Supply Company, Clamp and Thumbscrew, 1 Page, Jul. 1, 2009.
 Lockwood Products, Inc., Loc-Line, The Original Modular Hose System, Jul. 1, 2008, 22 Pages.
 UW-Lighting, halogen Hand-Held Lights, 2006, 7 Pages, Can be retrieved at <URL:<http://www.aditech-uw.com/aditechweb/iniluminacion.htm>> Archived on web.archive.org on May 16, 2006, Retrieved from the Internet <URL:<https://web.archive.org/web/20060516081227/http://www.aditech-uw.com/aditechweb/iniluminacion...>>.
 Nasty Clamps, Nasty Clamp Photo 1, Publication date unknown, Printed on Oct. 2, 2014, 1 Page.
 Nasty Clamps, Nasty Clamp Photo 2, Publication date unknown, Printed on Oct. 2, 2014, 1 Page.
 Shear-Loc Products, "Shear-Loc Quick Reference Guide," Publication date unknown, 2 Pages.
 Wimberley, Inc., Wimberley Professional Photo Gear—The Plamp, Archived on web.archive.org on Oct. 15, 2009, 6 Pages, Can be Retrieved at <URL:<http://web.archive.org/web/20081015002348/http://www.tripodhead.com/products/plamp-main.cfm>>.
 Instructables, French Flag/Freedom Flag, Can be Retrieved at <URL:<https://web.archive.org/web/20100417102439/http://www.instructables.com/id/French-Flag-Freedom-Flag/>>, Archived on web.archive.org on Apr. 17, 2010, 5 Pages.

(56)

References Cited

OTHER PUBLICATIONS

ModularHose.com, Loc-Line World, Can be Retrieved at <URL:http://www.modularhose.com/Loc-Line.htm>, Archived on web.archive.org on Jun. 16, 2009, 3 Pages.

ModularHose.com, Applications—Assistive Technology, Can be Retrieved at <URL:http://www.modularhose.com/applications/Assistive-Technology> Archived on web.archive.org on Oct. 27, 2009, 1 Page.

ModularHose.com, Parts and Supplies, Can be Retrieved at <URL:http://www.modularhose.com/applications/mh-Parts-and-Supplies>, Archived on web.archive.org on Nov. 6, 2009, 1 Page.

ModularHose.com, Loc-Line 1/2, Can be Retrieved at <URL:http://www.modularhose.com/Loc-Line-12-System/12-miscellaneous>, Archived on web.archive.org on Jun. 22, 2009, 2 Pages

Dinkum Systems, Inc., Trademark Information for ActionPod, Serial No. 85379756, Mar. 6, 2012, 31 Pages.

Lockwood Products, Inc., Loc-Line, The Original Modular Hose System, Aug. 1, 2012, 24 Pages.

Clamp Flag Co., The Clamp Flag Company, Can be Retrieved at <URL:http://www.clampflag.com/>, Archived on web.archive.org on Sep. 29, 2003, 4 Pages.

Clamp Flag Co., The Clamp Flag in Action!, Can be Retrieved at <URL:http://www.clampflag.com/flag%20in%20action.htm>, Archived on web.archive.org on Nov. 18, 2003, 4 Pages.

Sorrel, C., “Nasty Clamp: DIY Flash-Stand Goes Commercial,” Wired Magazine, Jul. 15, 2009, 5 Pages.

Nasty Clamps, NastyClamps.com! Home of the Flexible Photography Clamp!, Retrieved from the Internet on Aug. 27, 2014, Can be retrieved at <URL:http://www.nastyclamps.com/>, 4 Pages.

Nasty Clamps, Nasty Clamp Photo 4, Publication Date Unknown, Printed on Oct. 2, 2014, 1 Page.

Nasty Clamps, Nasty Clamp Photo 3, Publication Date Unknown, Printed on Oct. 2, 2014, 1 Page.

Schofield, J., Feeling Nasty! [Video] Can be retrieved at <URL:http://www.thec47.com/gearbox/feeling-nasty.html>, Oct. 30, 2009, 25 Pages.

Schofield, J., Nasty Clamps, Feeling Nasty!, Can be retrieved at <URL:http://www.thec47.com/gearbox/feeling-nasty.html>, Oct. 30, 2009, 10 Pages.

Nasty Clamps, Nasty Clamp Facebook Timeline, 133 Pages, Retrieved from the Internet on Aug. 29, 2014, Can be retrieved at <URL:https://www.facebook.com/pages/Nasty-Clamps/144803988805?sk=timeline&ref=page_internal>.

Tirosh, U., “Nasty Lil’ Lighting Thing,” DIYPhotography, Can be retrieved at <URL:http://www.diyphotography.net/nasty-lil-lighting-thing/>, Jul. 14, 2009, 14 Page.

Progue, D., “The iPhone Matches Most of Its Hype,” The New York Times, Jun. 27, 2007, 3 Pages, Can be Retrieved online <URL:http://www.nytimes.com/2007/06/27/technology/circuits/27pogue.html?_r=0&pagewanted=print>.

McMaster-Carr Supply Company, Catalog No. 114, Spring Clamps (2533-2534), Thumb Screws (3039-3047), Jan. 1, 2008.

U.S. Appl. No. 61/303,655, filed Feb. 11, 2010, 49 Pages.

Office Action for U.S. Appl. No. 13/998,332, Mar. 25, 2014, 17 Pages.

The Jam (Adjustable Music Mount), 1 Page, [online] Retrieved Jan. 5, 2016 from URL: <http://shop.gopro.com/mounts/thejamadjustablemusicmount/AMCLP001-.html#/start=1>.

* cited by examiner

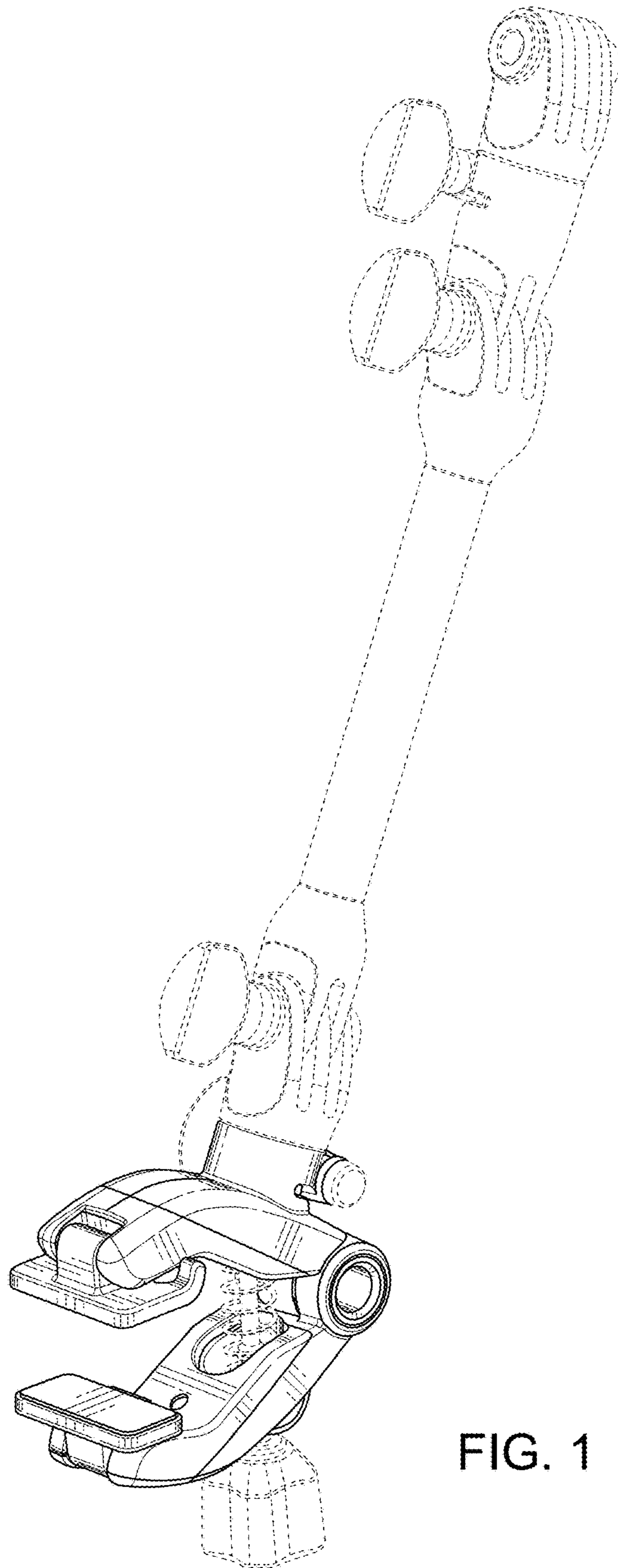


FIG. 1

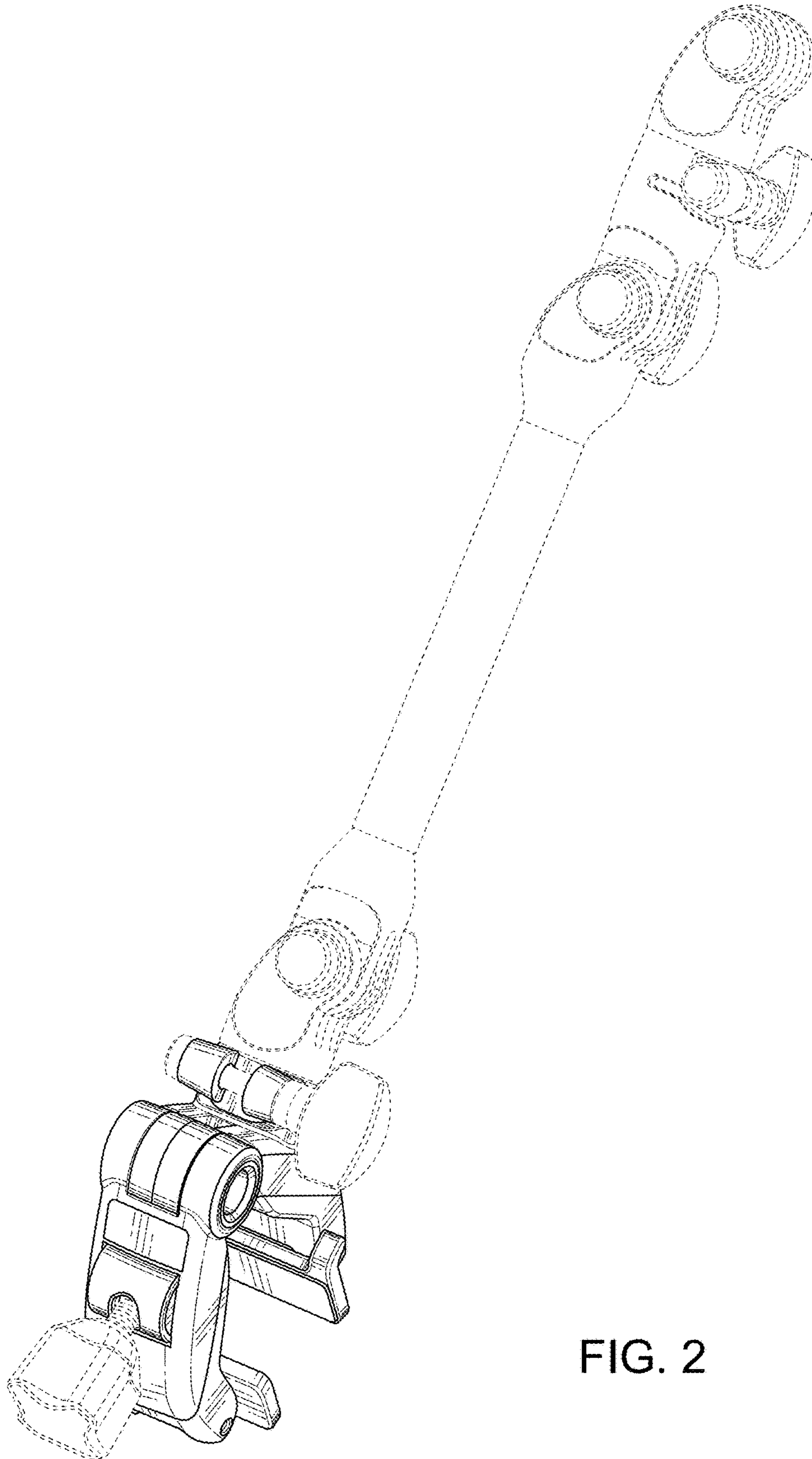


FIG. 2

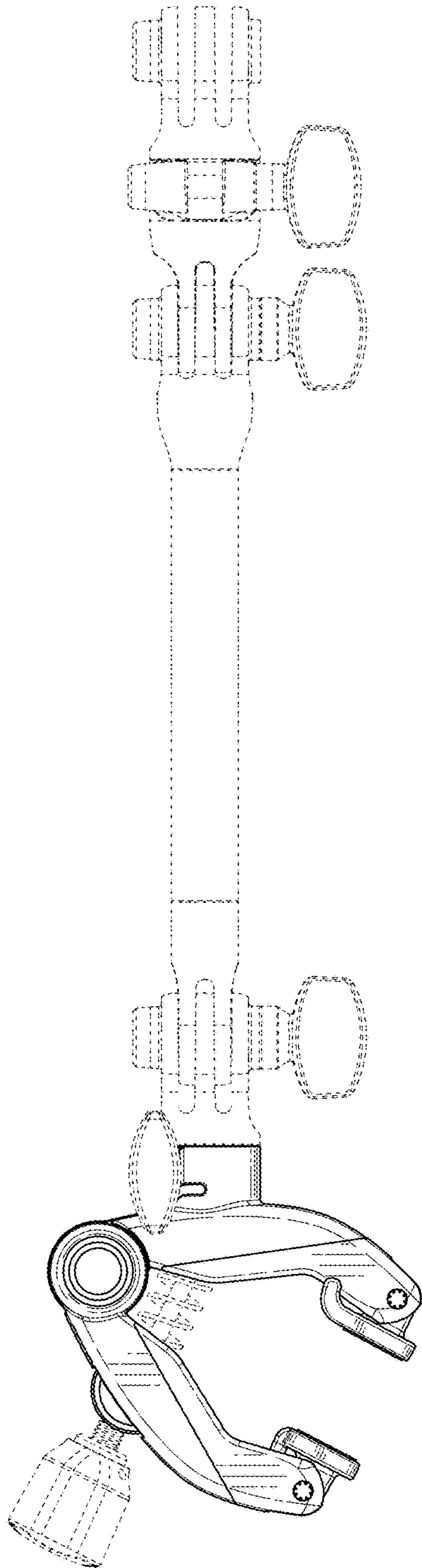


FIG. 3

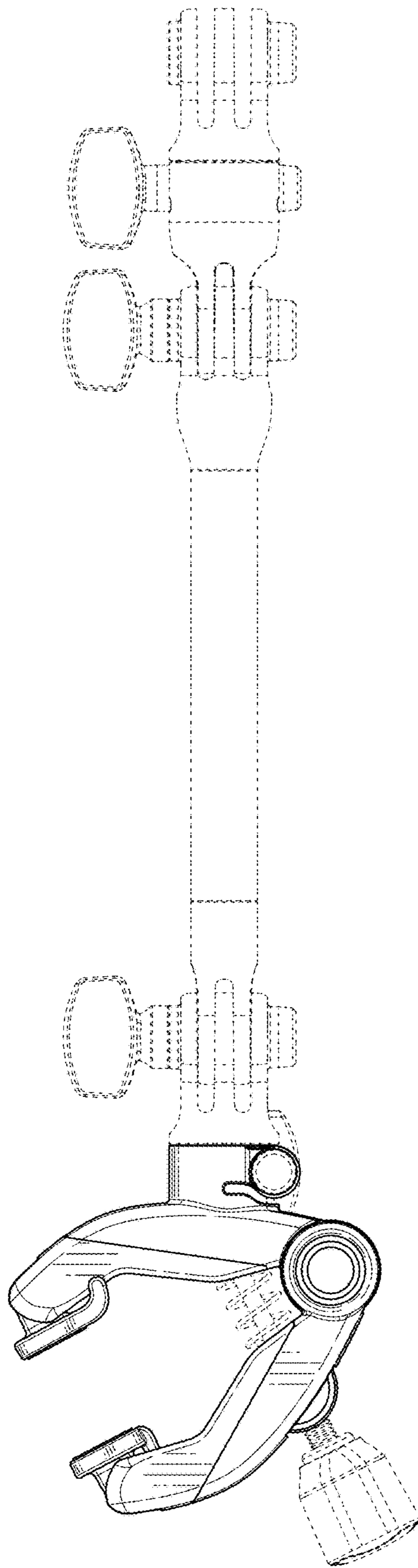


FIG. 4

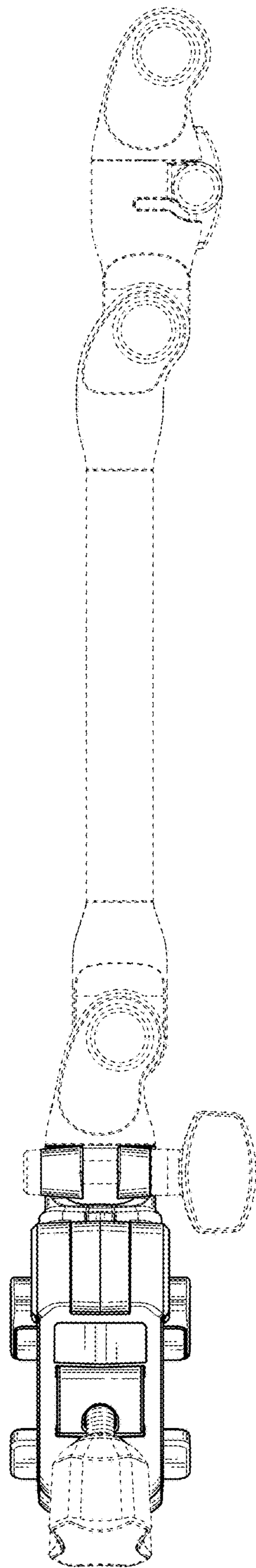


FIG. 5

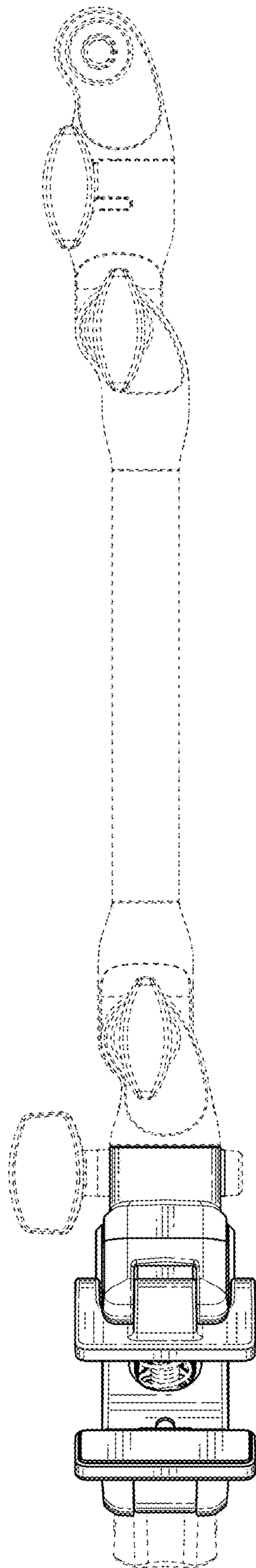


FIG. 6

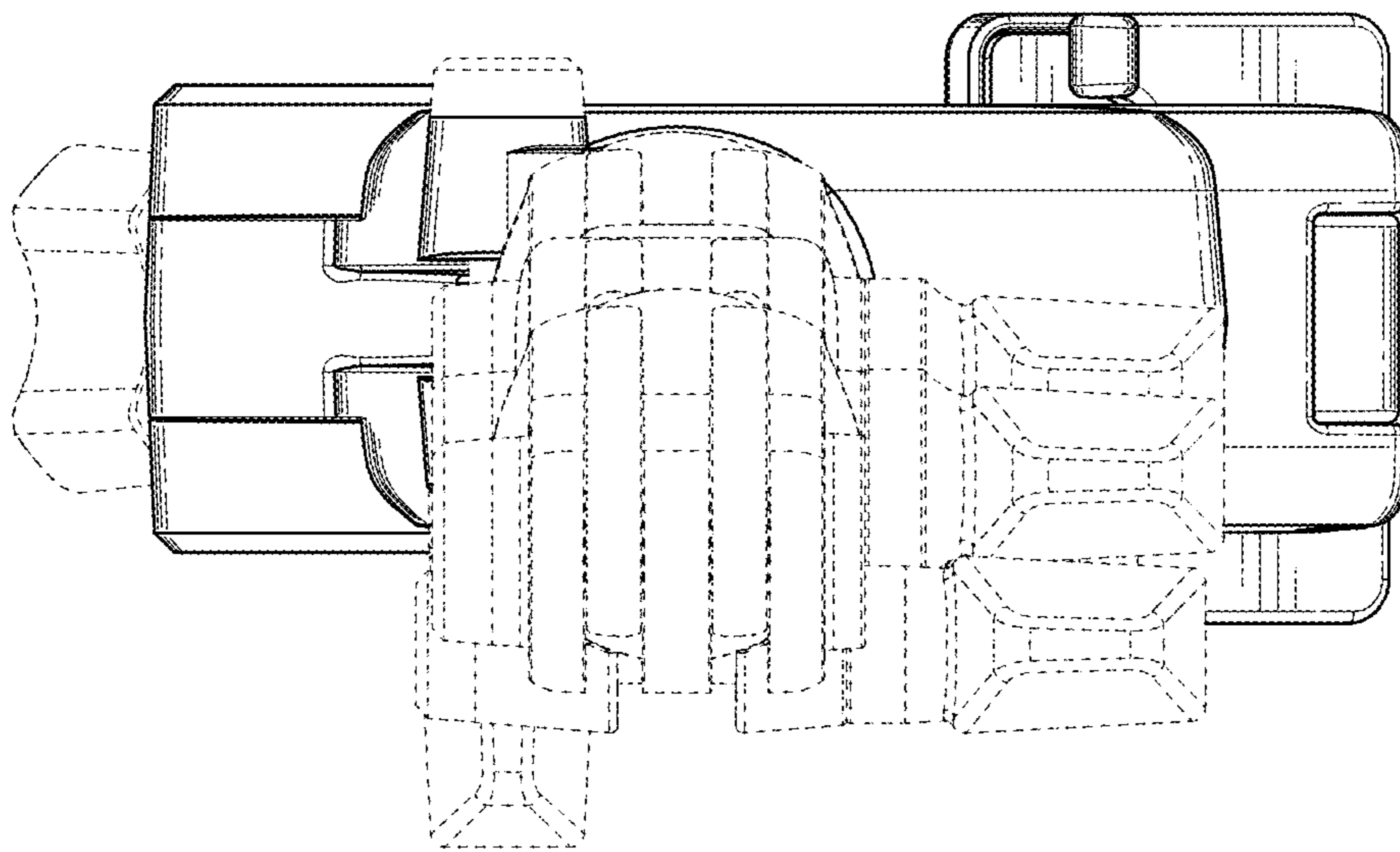


FIG. 7

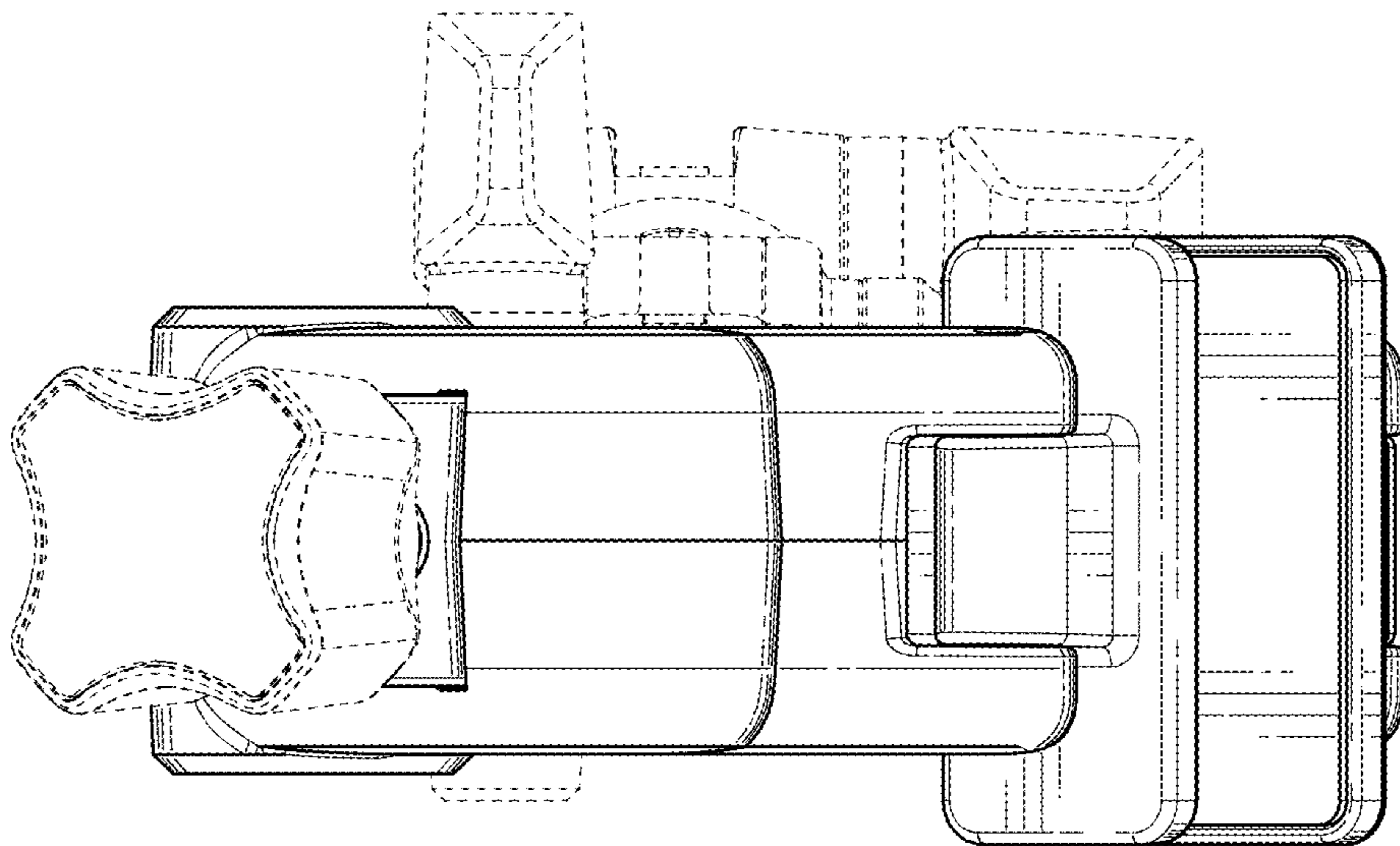


FIG. 8