



US00D800204S

(12) **United States Design Patent**
Harrison et al.

(10) **Patent No.:** **US D800,204 S**
(45) **Date of Patent:** **** Oct. 17, 2017**

(54) **CAMERA MOUNT**

(71) Applicant: **GoPro, Inc.**, San Mateo, CA (US)

(72) Inventors: **Ryan Harrison**, El Granada, CA (US);
Mark E. Costa, Menlo Park, CA (US);
Emily Clopp, San Francisco, CA (US)

(73) Assignee: **GoPro, Inc.**, San Mateo, CA (US)

(**) Term: **15 Years**

(21) Appl. No.: **29/561,952**

(22) Filed: **Apr. 21, 2016**

Related U.S. Application Data

(63) Continuation of application No. 29/524,032, filed on
Apr. 15, 2015, now Pat. No. Des. 759,147.

(51) **LOC (10) Cl.** **16-05**

(52) **U.S. Cl.**
USPC **D16/242**

(58) **Field of Classification Search**
USPC D16/206, 219, 235, 237-250; D14/224,
D14/229, 238, 251, 447, 451, 457;
D8/354, 355, 363, 367-371, 373,
D8/382-383, 394-396

CPC G03B 17/56; G03B 17/561-17/568; G02B
7/00-7/002; H04N 5/2253-5/2254; F16M
11/04-11/12; A45F 5/00; A45F 5/10;
A45F 2200/0508-2200/0533

See application file for complete search history.

(56) **References Cited**

U.S. PATENT DOCUMENTS

D209,013 S	10/1967	McElroy	
D366,887 S	2/1996	Wood	
D372,189 S	7/1996	Andis et al.	
D373,947 S *	9/1996	Parduhn	D8/373
D395,996 S	7/1998	Fischer	
D399,230 S	10/1998	Tenne	
5,842,069 A	11/1998	Konno	

5,887,375 A	3/1999	Watson
6,315,180 B1	11/2001	Watkins
6,654,235 B2	11/2003	Imsand
D483,789 S	12/2003	Dordick
D506,493 S	6/2005	Naito
D602,974 S	10/2009	Zen

(Continued)

FOREIGN PATENT DOCUMENTS

EP 0845399 A2 6/1998

OTHER PUBLICATIONS

GoPro Head Strap+QuickClip Kopfbandhalterung. [online]
Retrieved May 16, 2017 from URL: <https://www.bikecomponents.
de/en/GoPro/HeadStrapQuickClipKopfbandhalterungp37358/>.*

(Continued)

Primary Examiner — Vy Koenig

(74) *Attorney, Agent, or Firm* — Fenwick & West LLP

(57) **CLAIM**

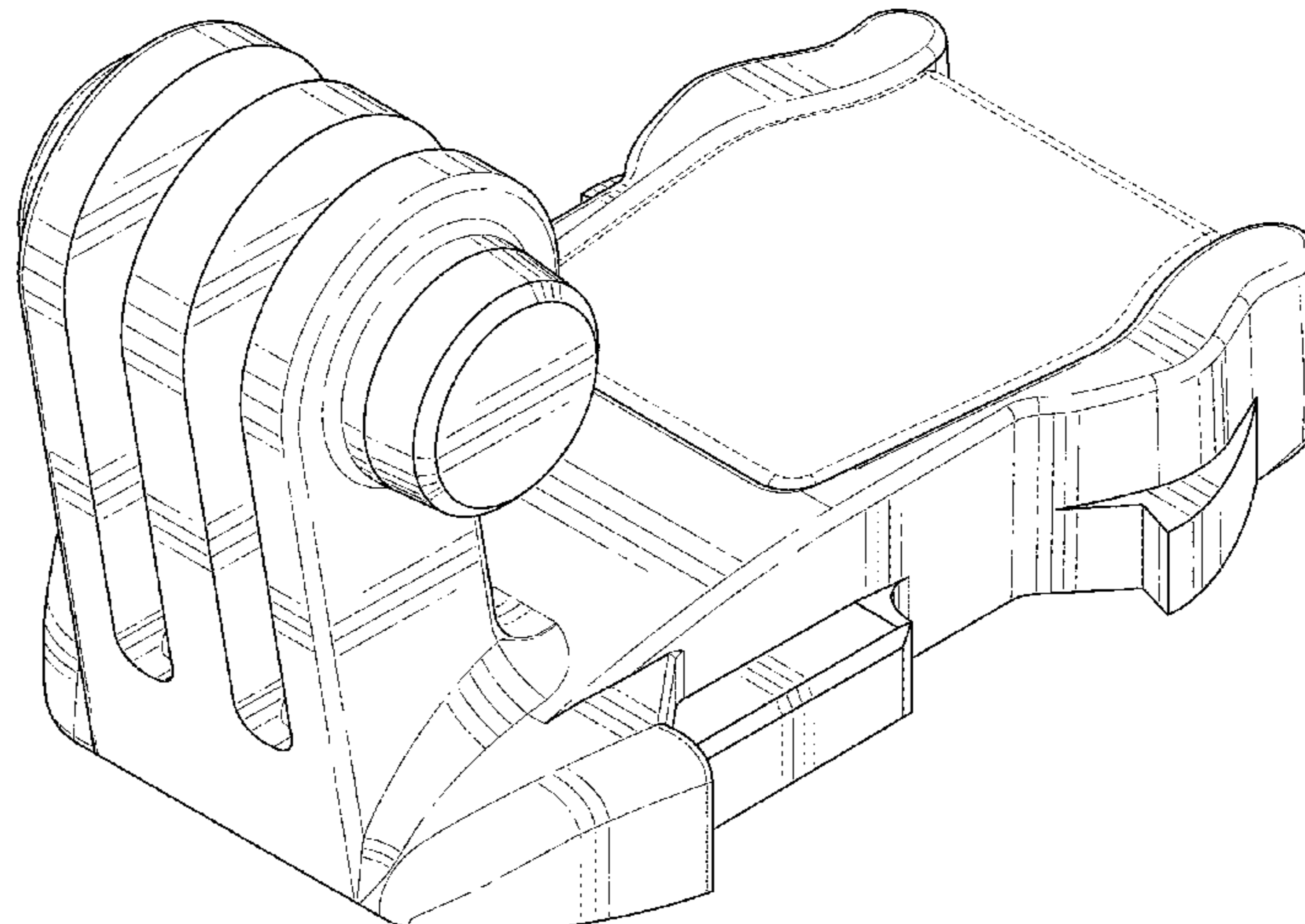
The ornamental design for a camera mount, as shown and
described.

DESCRIPTION

FIG. 1 is a front, top, and right side perspective view of a
camera mount;
FIG. 2 is a rear, bottom, and left side perspective view
thereof;
FIG. 3 is a front elevational view thereof;
FIG. 4 is a rear elevational view thereof;
FIG. 5 is a left side elevational view thereof;
FIG. 6 is a right side elevational view thereof;
FIG. 7 is a top plan view thereof; and,
FIG. 8 is a bottom plan view thereof.

The broken lines in the drawings are included for the
purpose of illustrating environmental structure and form no
part of the claimed design.

1 Claim, 8 Drawing Sheets



(56)

References Cited

U.S. PATENT DOCUMENTS

D616,286 S * 5/2010 Foresman D8/354
 D631,081 S 1/2011 Richter
 D635,445 S * 4/2011 Foresman D8/354
 8,014,656 B2 9/2011 Woodman
 D649,576 S 11/2011 Jannard et al.
 8,199,251 B2 6/2012 Woodman
 8,325,270 B2 12/2012 Woodman
 D675,661 S 2/2013 Jannard et al.
 D722,864 S 2/2015 Greenthal
 D722,865 S 2/2015 Greenthal
 9,004,783 B1 * 4/2015 Woodman F16M 11/00
 396/419
 9,033,596 B2 5/2015 Samuels
 D757,842 S * 5/2016 Harrison D16/242
 D758,473 S * 6/2016 Costa D16/242
 D759,147 S * 6/2016 Harrison D16/242
 9,426,341 B1 * 8/2016 Baldrige F16M 11/041
 D776,745 S * 1/2017 Bennett D16/242
 D776,746 S * 1/2017 Bennett D16/242
 9,554,639 B1 * 1/2017 Harden A45F 5/00
 9,596,926 B1 * 3/2017 Volmer A45F 5/02
 2013/0107111 A1 * 5/2013 Campbell H04N 5/2252
 348/373
 2014/0027591 A1 1/2014 Fountain

2015/0316205 A1* 11/2015 Bennett F16M 13/00
 224/181
 2017/0108759 A1* 4/2017 Clearman G03B 17/561
 2017/0108760 A1* 4/2017 Achenbach G03B 17/561

OTHER PUBLICATIONS

Polaroid 2x Vertical Surface J-hook Buckle Mount for GoPro HERO4, 3+ and 3 Cameras. [online] Retrieved May 16, 2017 from URL: <<https://www.adorama.com/ipdgp2jhb.html>>.*
 Polaroid Quick Release Buckle Mount for GoPro HERO4, 3+ and 3 Cameras, 2 Pack. [online] Retrieved May 16, 2017 from URL: <<https://www.adorama.com/ipdgp2bm.html?gclid=CNnnhlHc9NMCFRGHswodKWQCeg>>.*
 GoPro, Inc., "Grab Bag of Mounts," 2014, 2 Pages, [online][Archived on webarchive.org on Mar. 29, 2014][Retrieved on Aug. 31, 2015] Retrieved from the internet <URL:<https://web.archive.org/web/20140329112413/http://gopro.com/camera-mounts/grab-bag-of-mounts#features>>.
 PCT International Search Report for Written Opinion for PCT/US2013/062061, Mar. 3, 2014, 15 Pages.

* cited by examiner

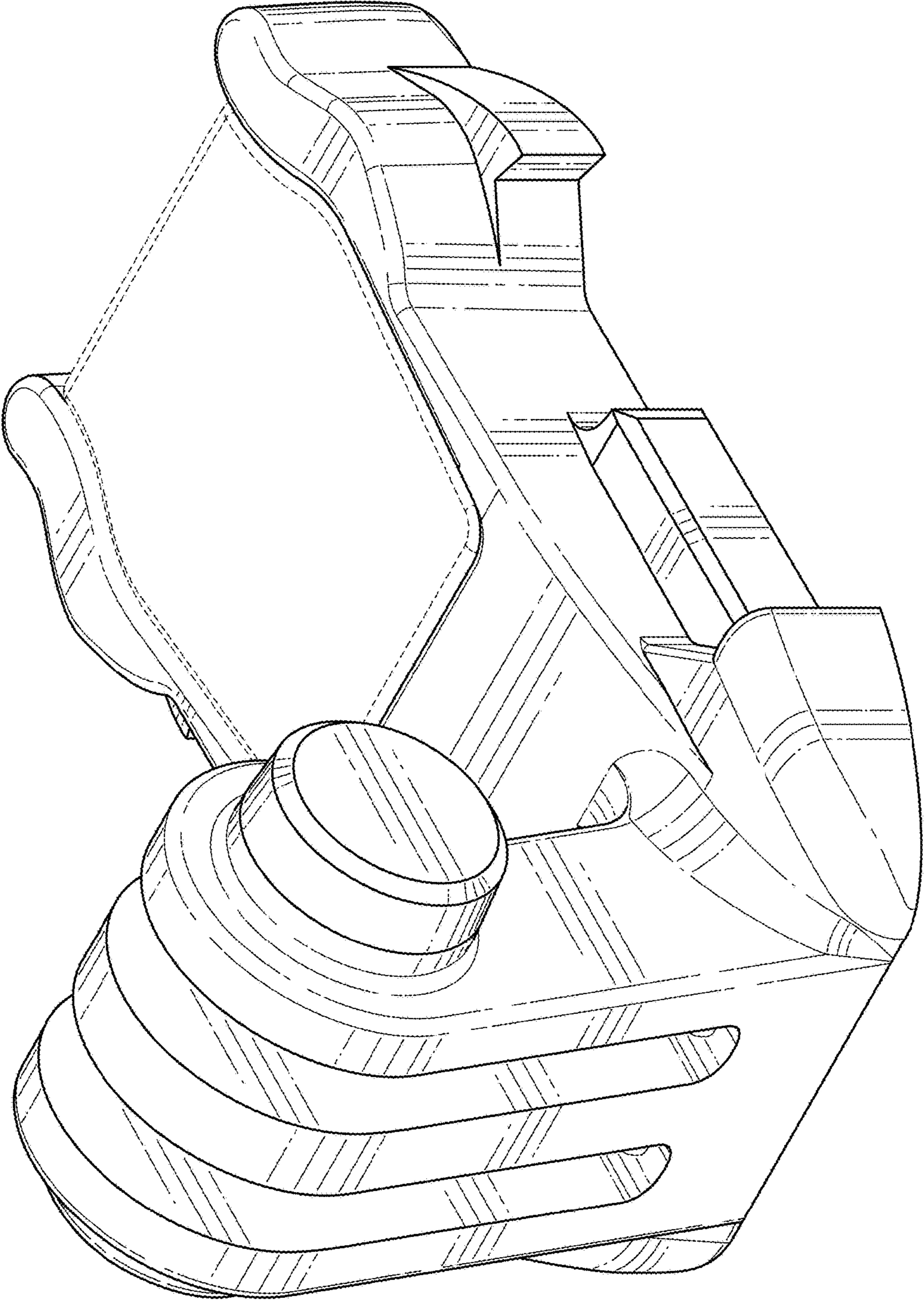


FIG. 1

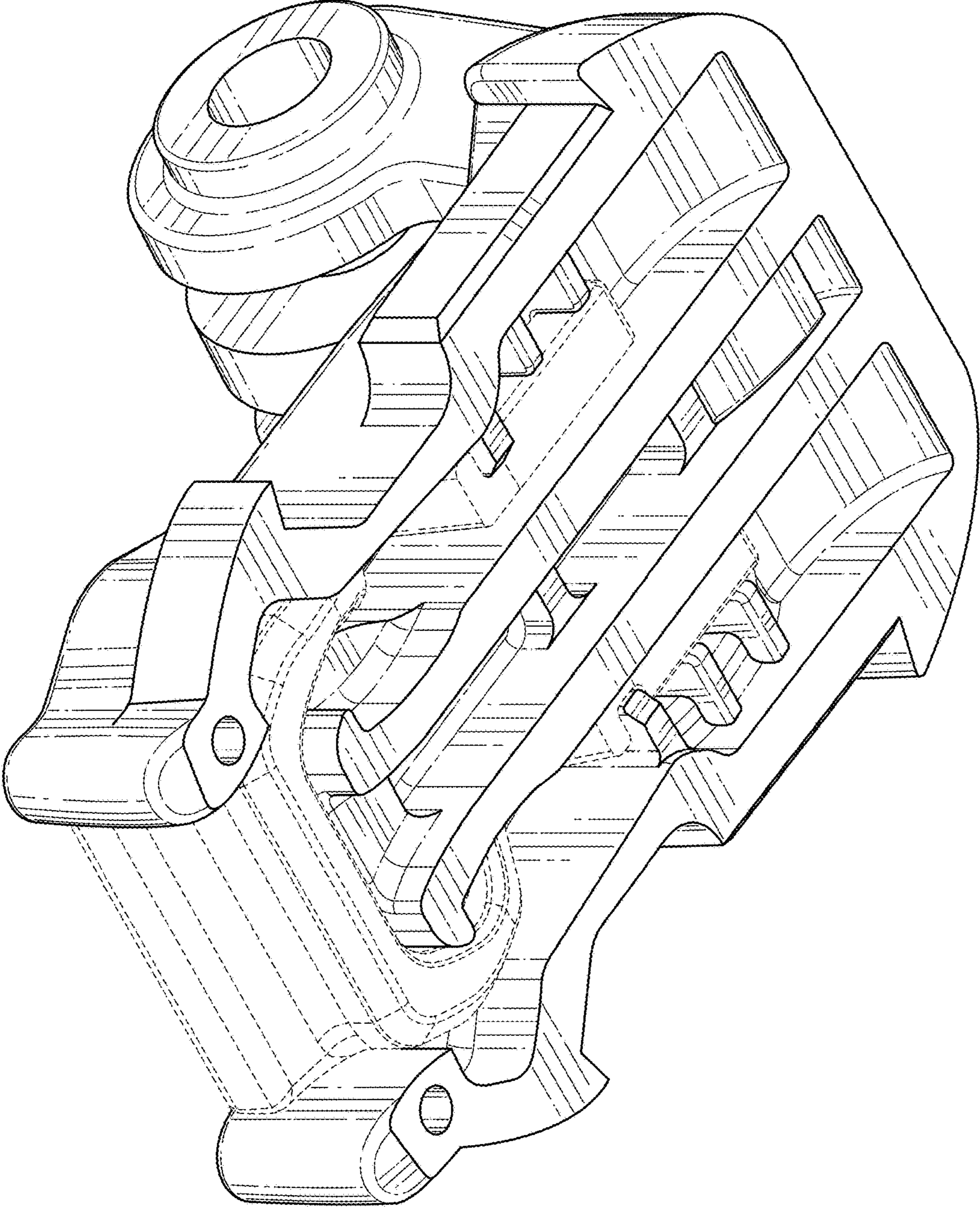


FIG. 2

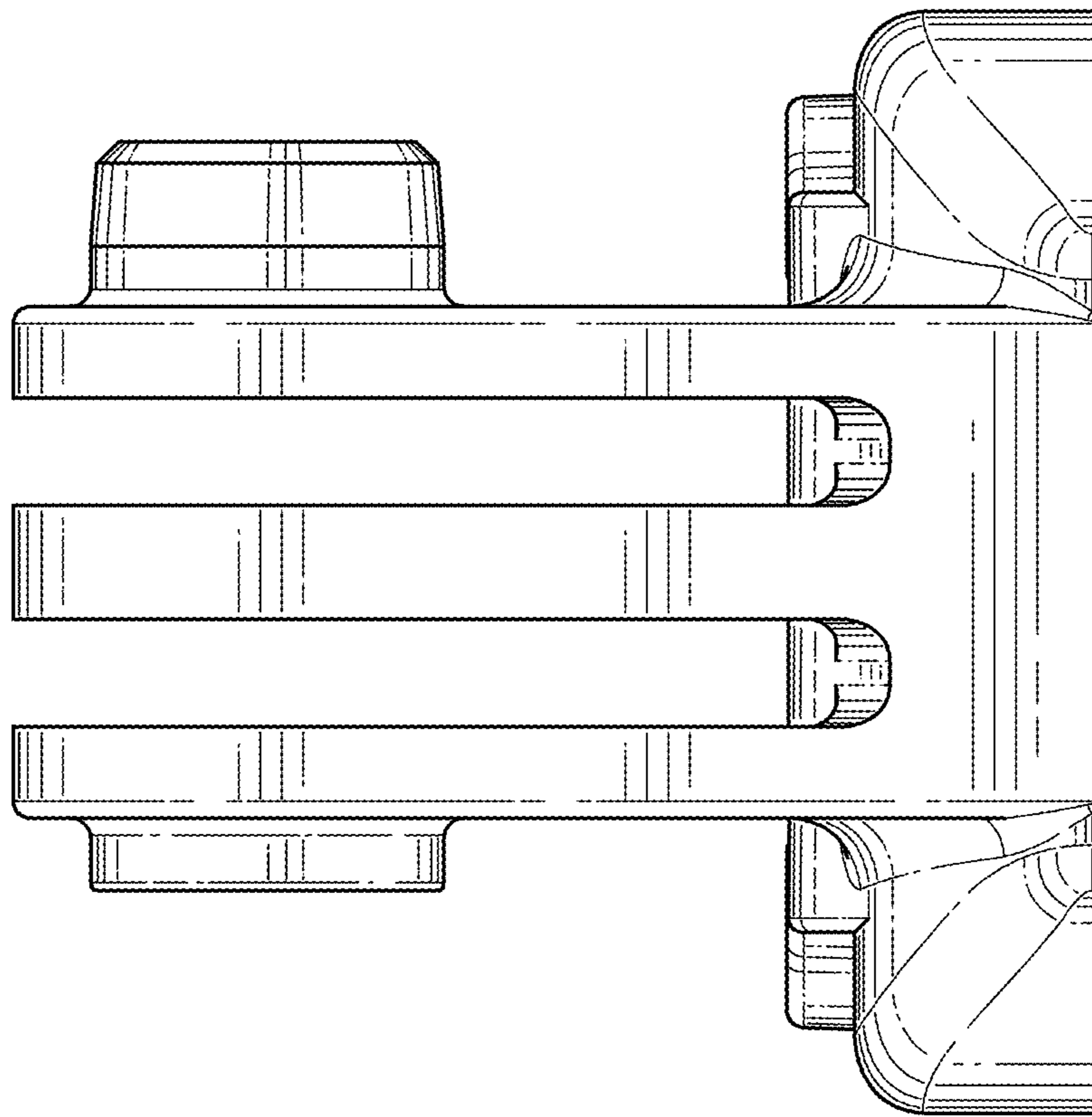


FIG. 3

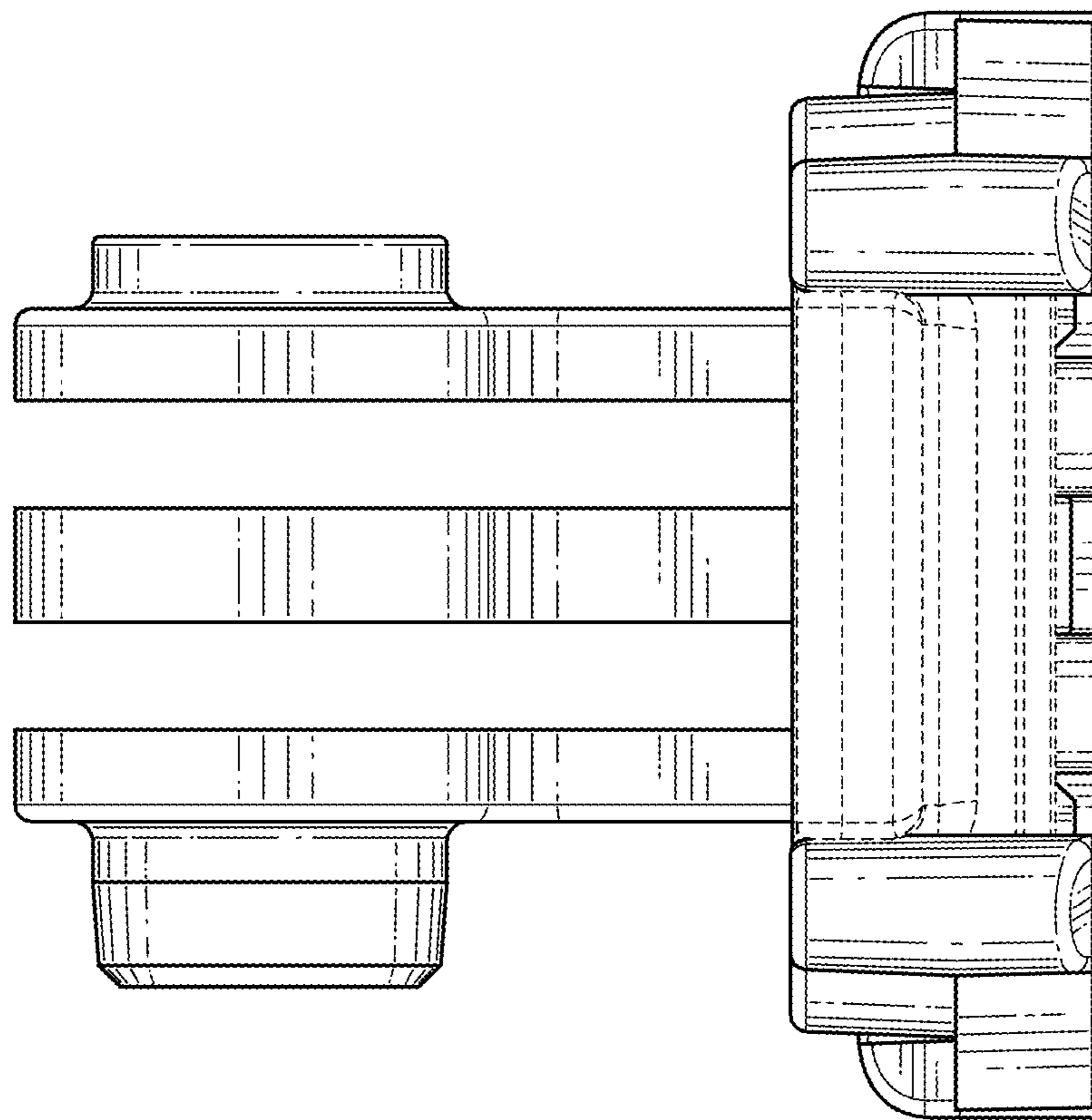


FIG. 4

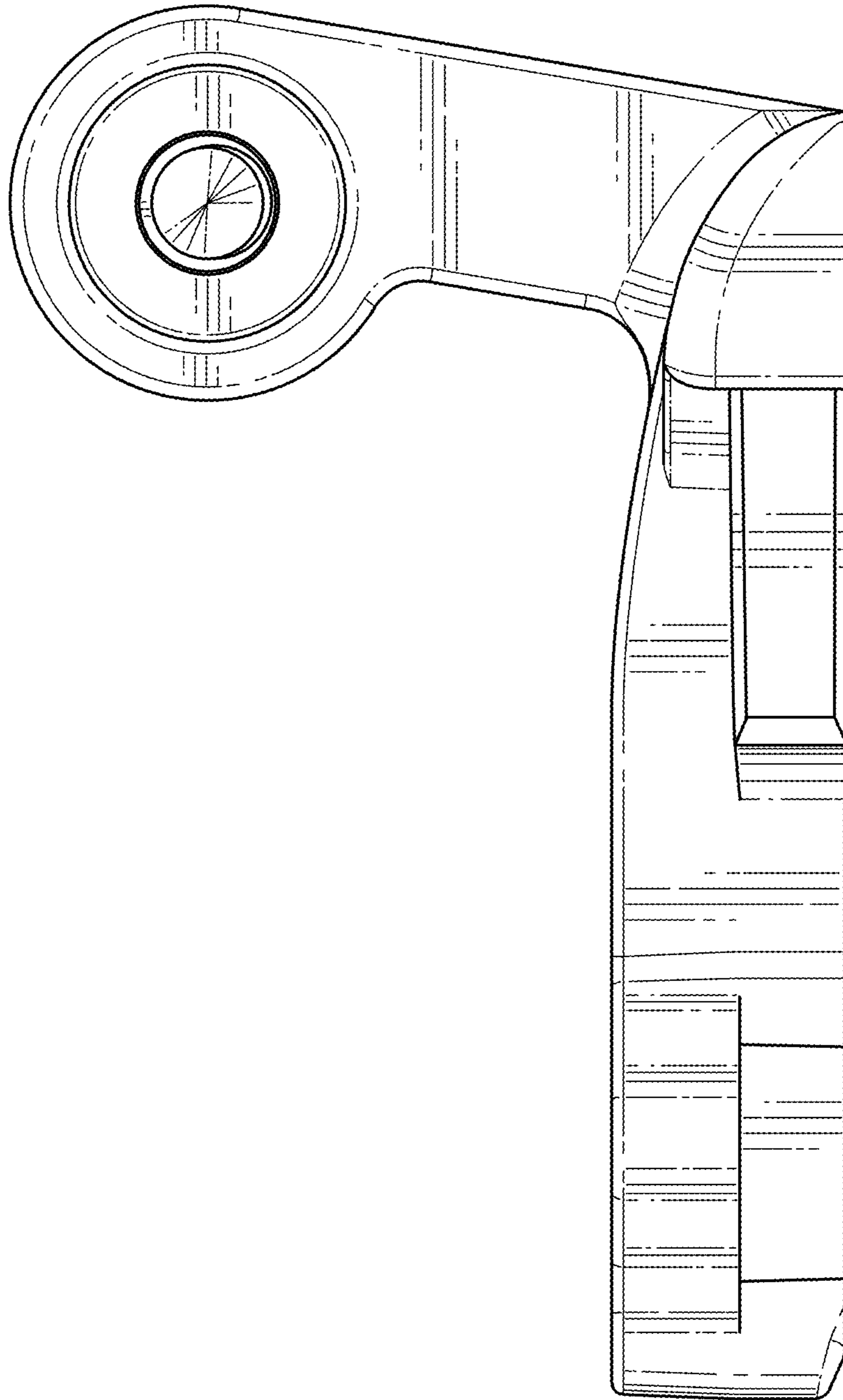


FIG. 5

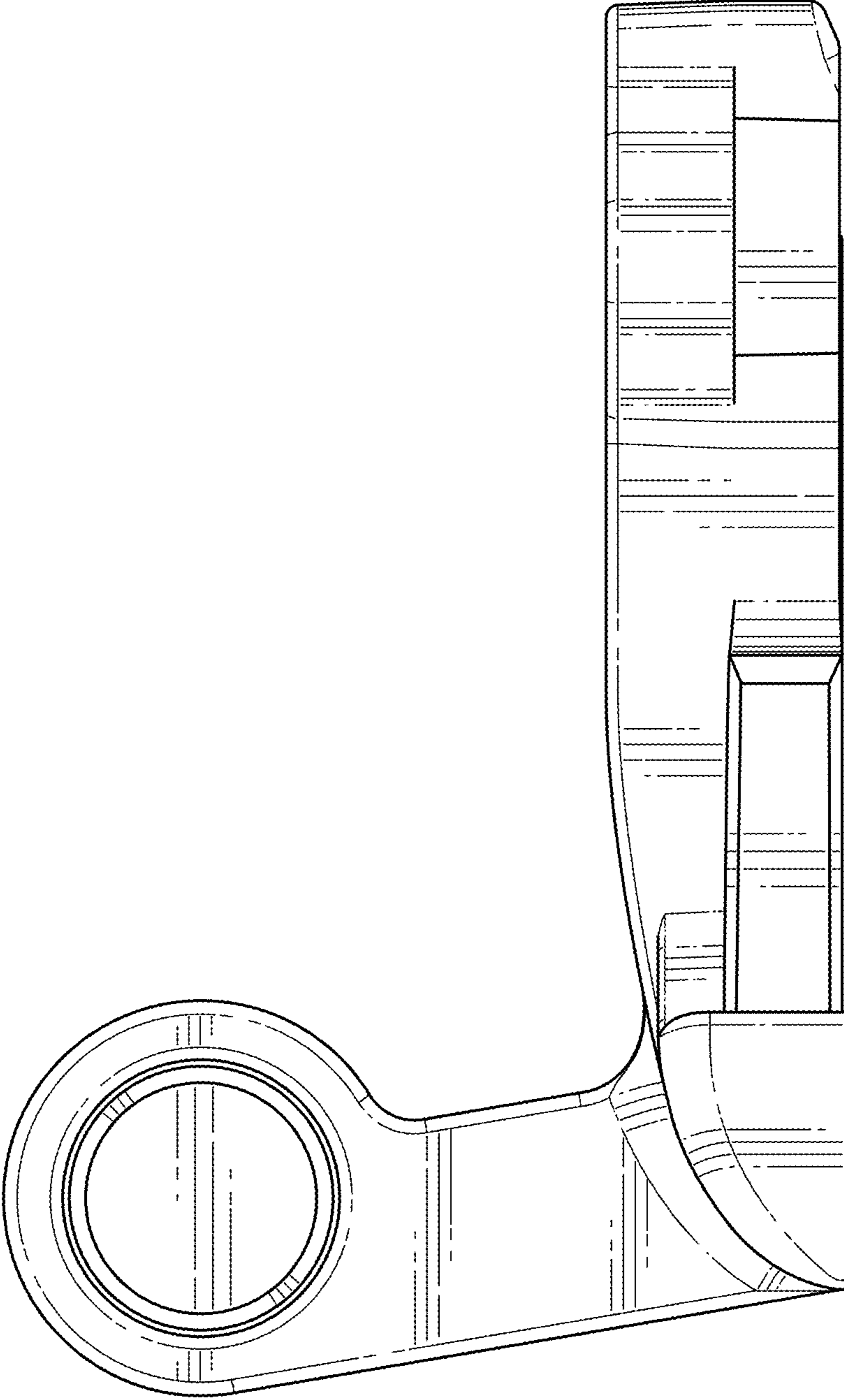


FIG. 6

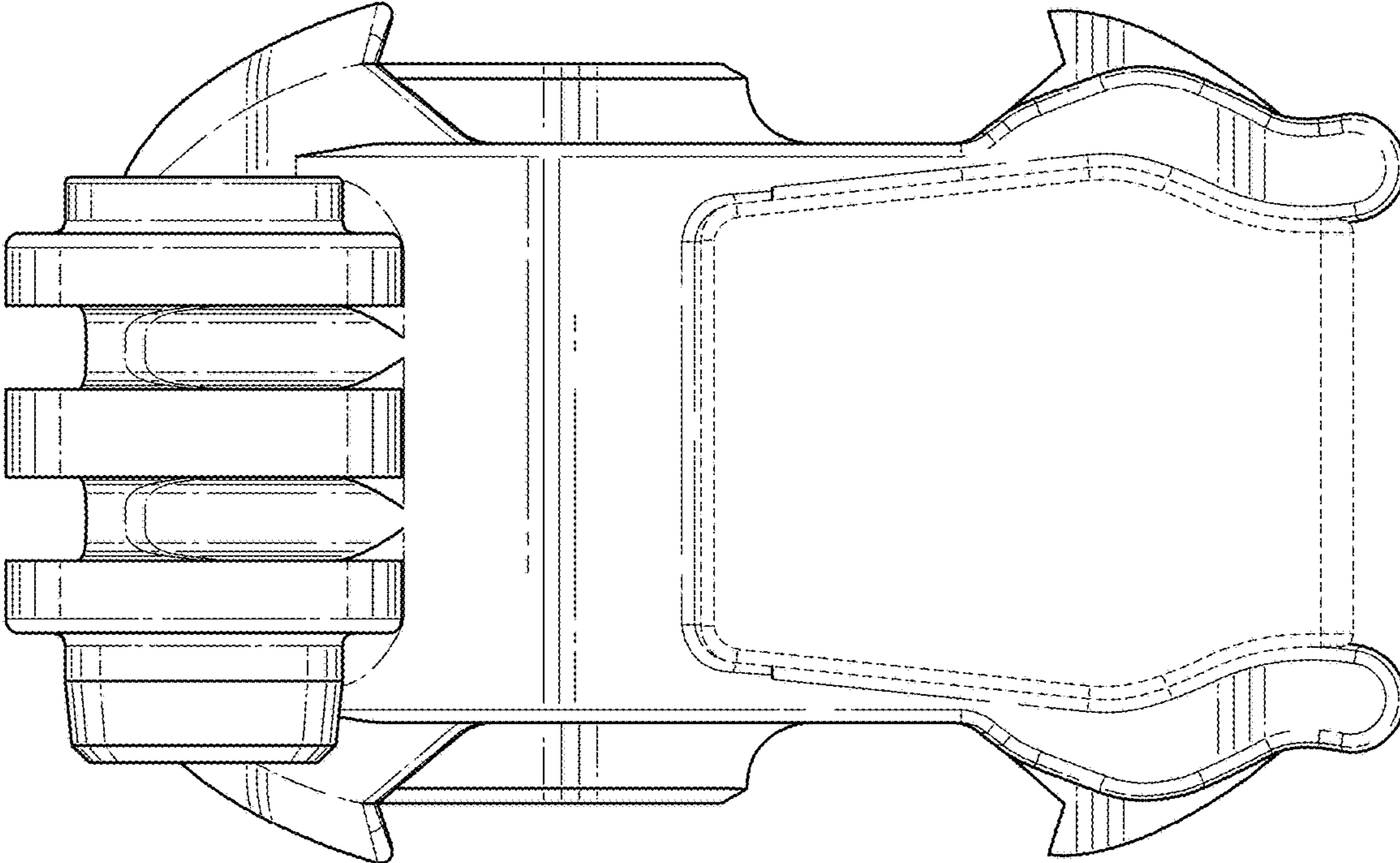


FIG. 7

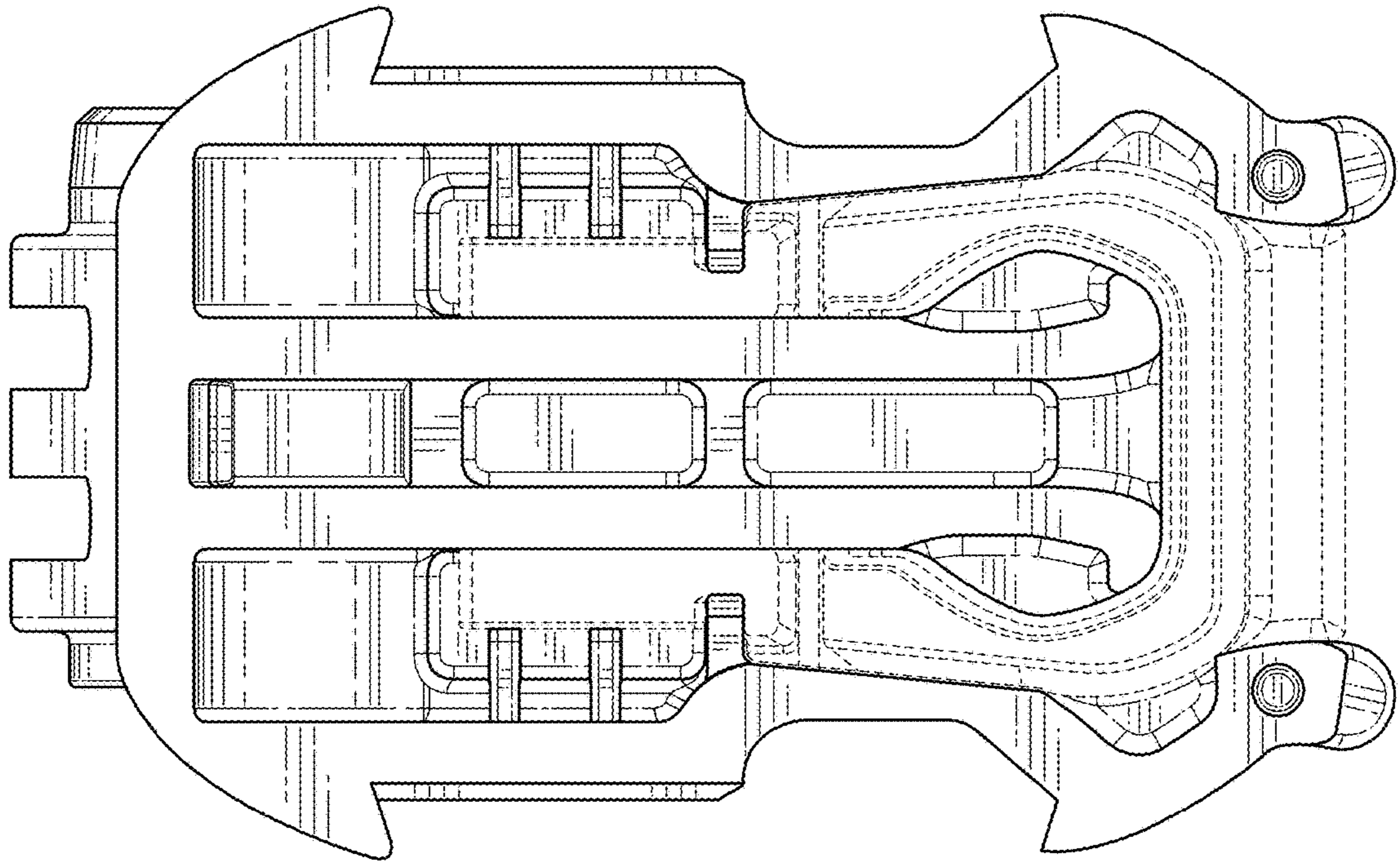


FIG. 8