



US00D800202S

(12) **United States Design Patent**
Hu

(10) **Patent No.:** **US D800,202 S**

(45) **Date of Patent:** **** Oct. 17, 2017**

(54) **SPORTS CAMERA**

(71) Applicant: **Zhi Hui Hu**, Shenzhen (CN)

(72) Inventor: **Zhi Hui Hu**, Shenzhen (CN)

(**) Term: **15 Years**

(21) Appl. No.: **29/579,248**

(22) Filed: **Sep. 29, 2016**

(51) **LOC (10) Cl.** **16-01**

(52) **U.S. Cl.**
USPC **D16/218**

(58) **Field of Classification Search**
USPC D16/200, 202–206, 208, 209, 218, 219;
348/294, 373–376; 359/826; 396/6, 529,
396/535, 539–541
CPC G03B 15/03; G03B 17/02; G03B 17/04;
G03B 17/56; G03B 19/04; H04N 5/2251;
H04N 5/2252; H04N 5/2253; H04N
5/2254; H04N 2101/00
See application file for complete search history.

(56) **References Cited**

U.S. PATENT DOCUMENTS

D392,659 S *	3/1998	Takano	D16/200
6,788,887 B2 *	9/2004	Takeshita	G03B 17/06 396/286
D504,904 S *	5/2005	Nagai	D16/203
7,768,727 B2 *	8/2010	Iida	G02B 7/102 359/819
D721,395 S *	1/2015	Woodman	D16/218

D750,686 S *	3/2016	Chen	D16/218
D758,467 S *	6/2016	Zhang	D16/202
D760,309 S *	6/2016	Parfitt	D16/202
D766,351 S *	9/2016	Li	D16/202
D769,346 S *	10/2016	Nguyen	D16/218
D772,966 S *	11/2016	Song	D16/200
D775,254 S *	12/2016	Parfitt	D16/202

* cited by examiner

Primary Examiner — Philip S Hyder

Assistant Examiner — Ramzi Almatrahi

(74) *Attorney, Agent, or Firm* — Prakash Nama; Global IP Services, PLLC

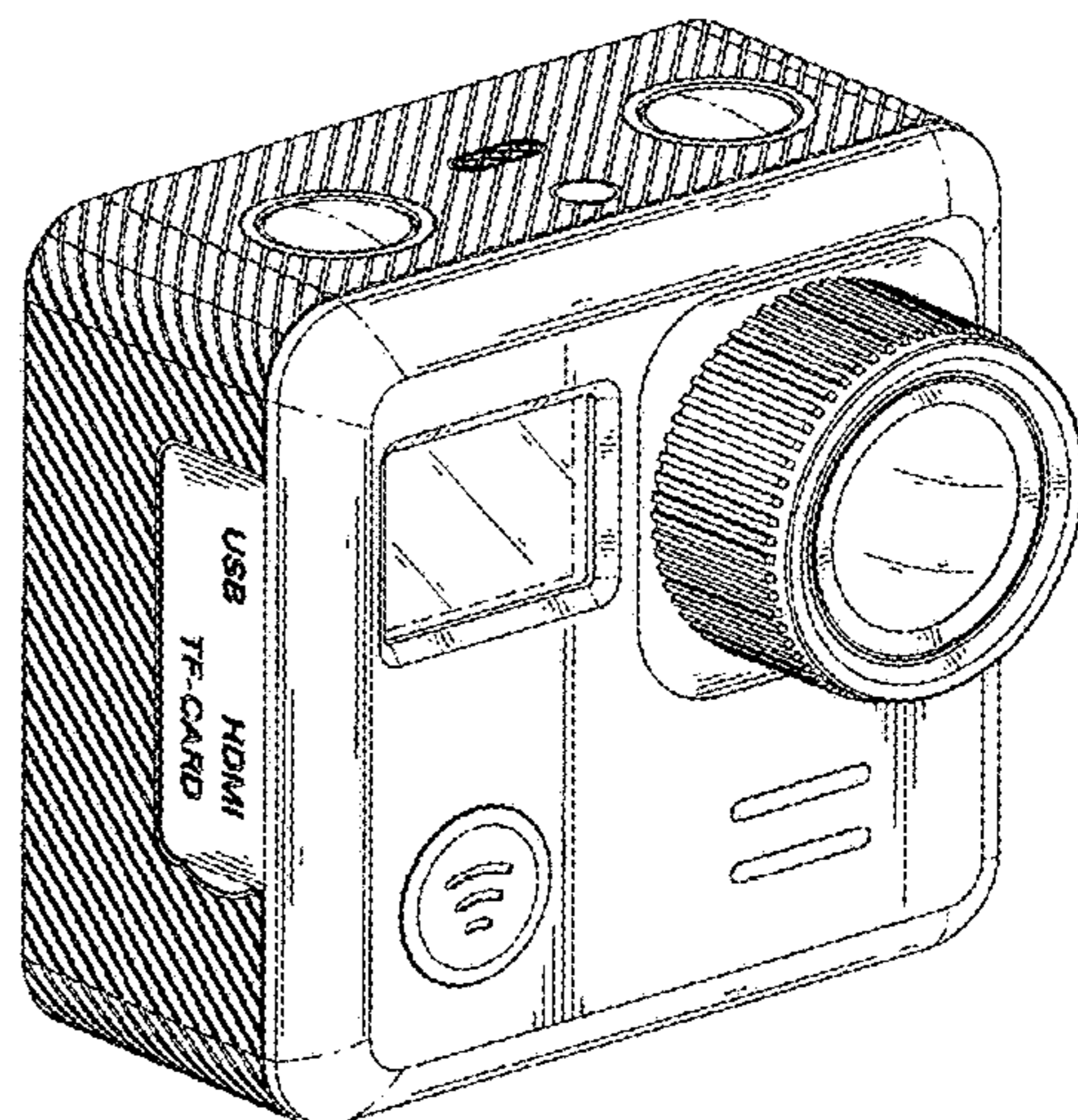
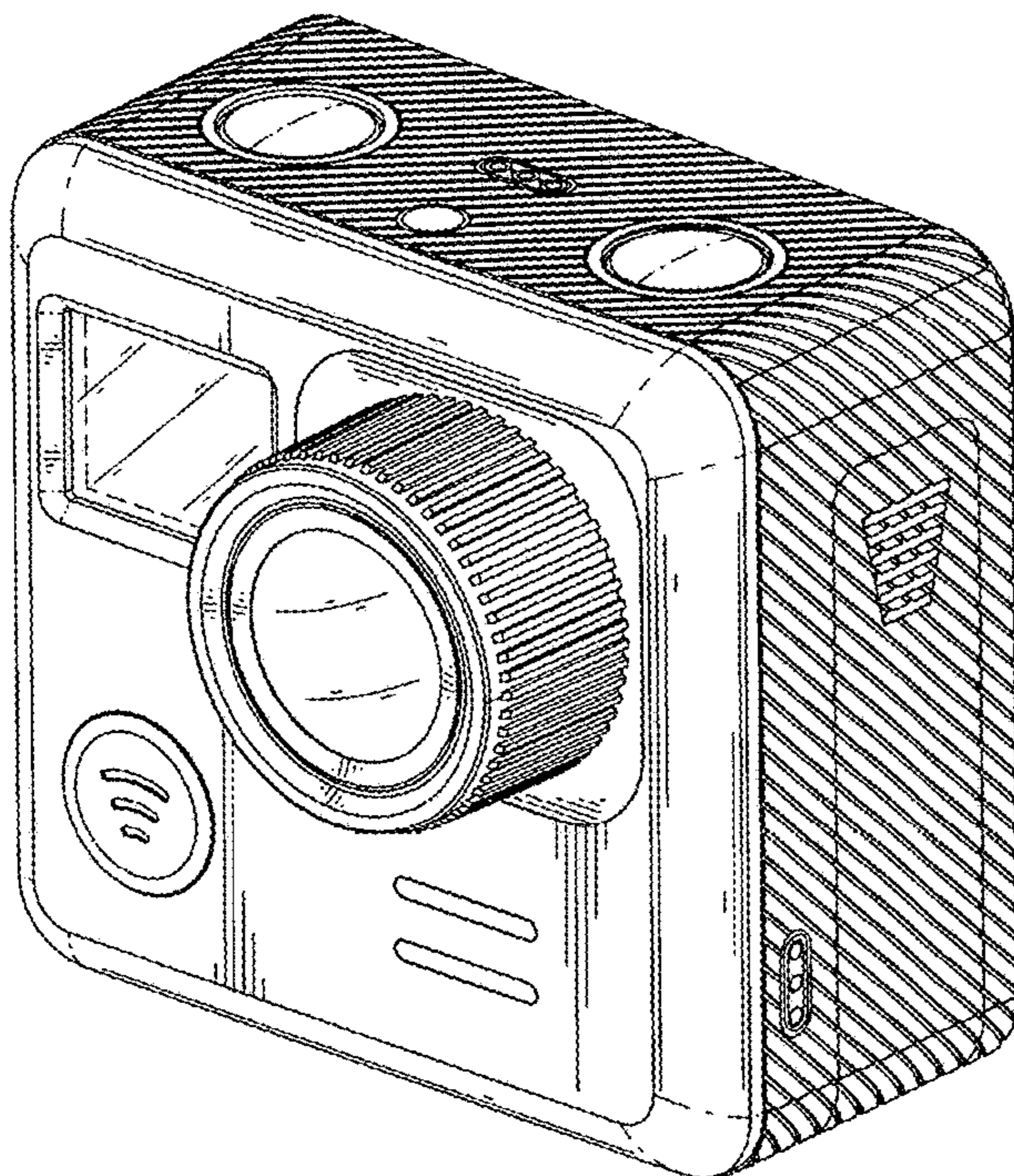
(57) **CLAIM**

The ornamental design for a sports camera, as shown and described.

DESCRIPTION

FIG. 1 is a front elevational view of a sports camera showing my new design;
FIG. 2 is a rear elevational view thereof;
FIG. 3 is a left side elevational view thereof;
FIG. 4 is a right side elevational view thereof;
FIG. 5 is a top plan view thereof;
FIG. 6 is a bottom plan view thereof;
FIG. 7 is a top, front and right side perspective view thereof;
and,
FIG. 8 is a top, front and left side perspective view thereof.
The broken lines depict portions of the sports camera in which the design is embodied that form no part of the claimed design.

1 Claim, 5 Drawing Sheets



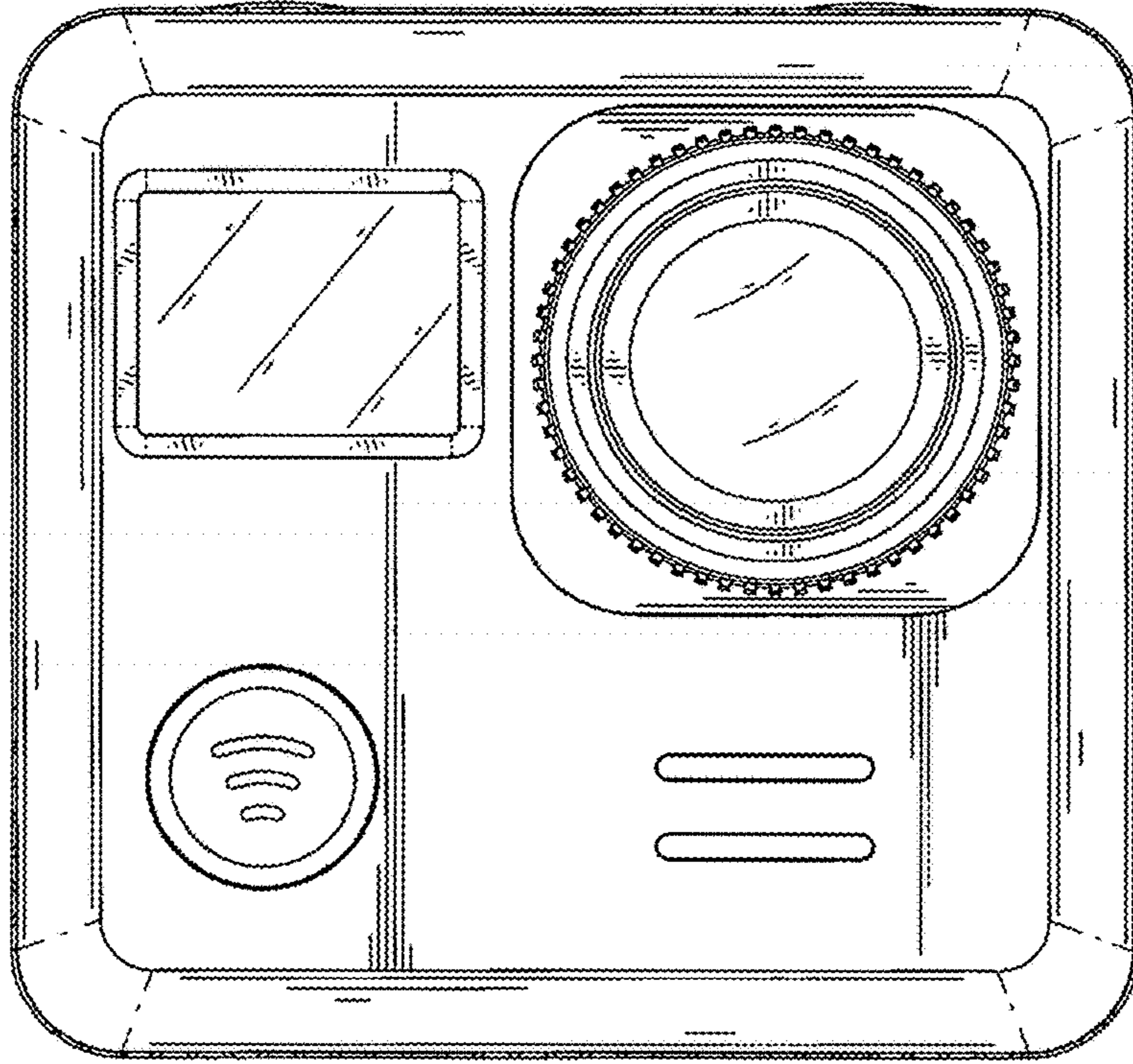


FIG. 1

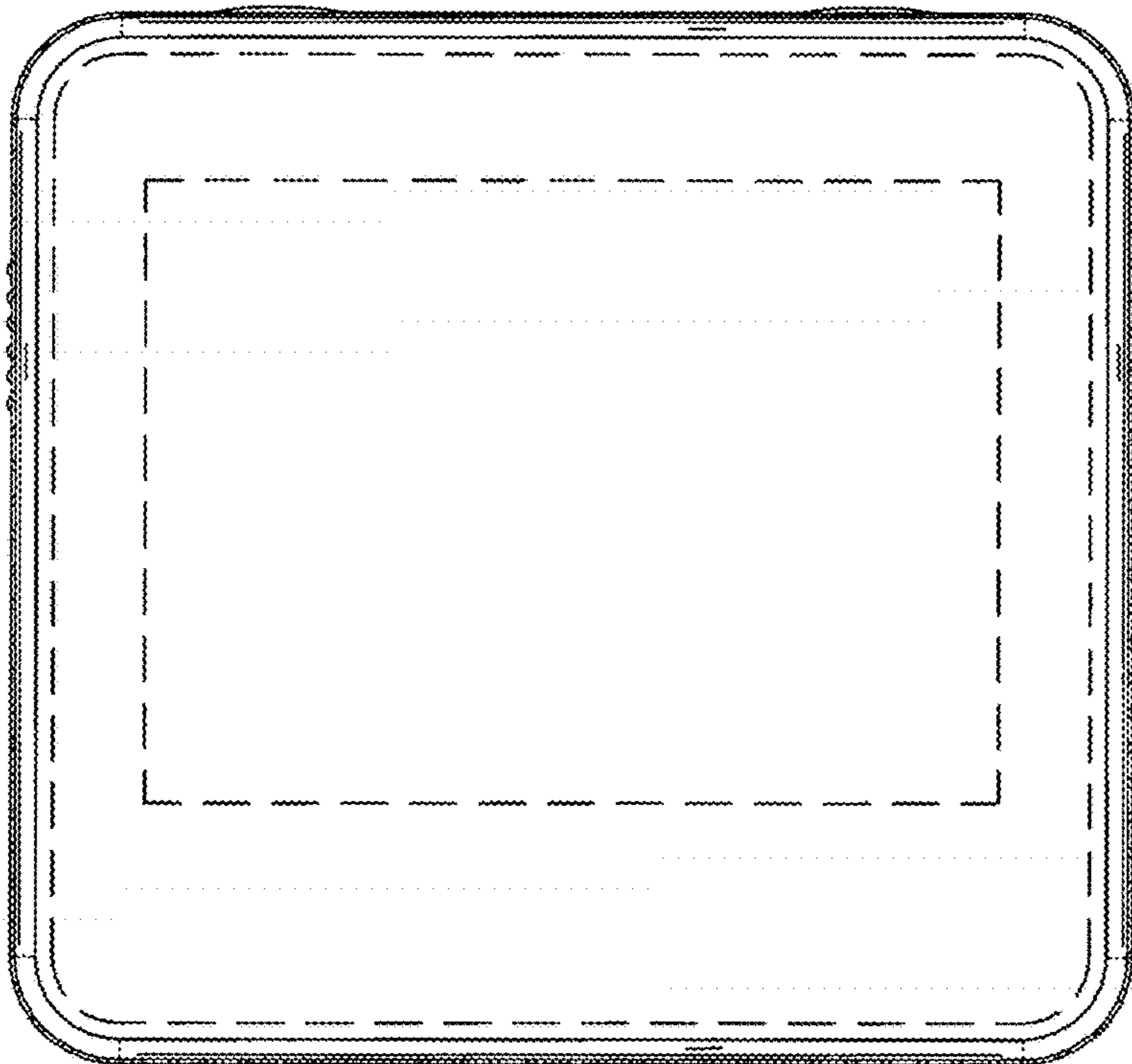


FIG. 2

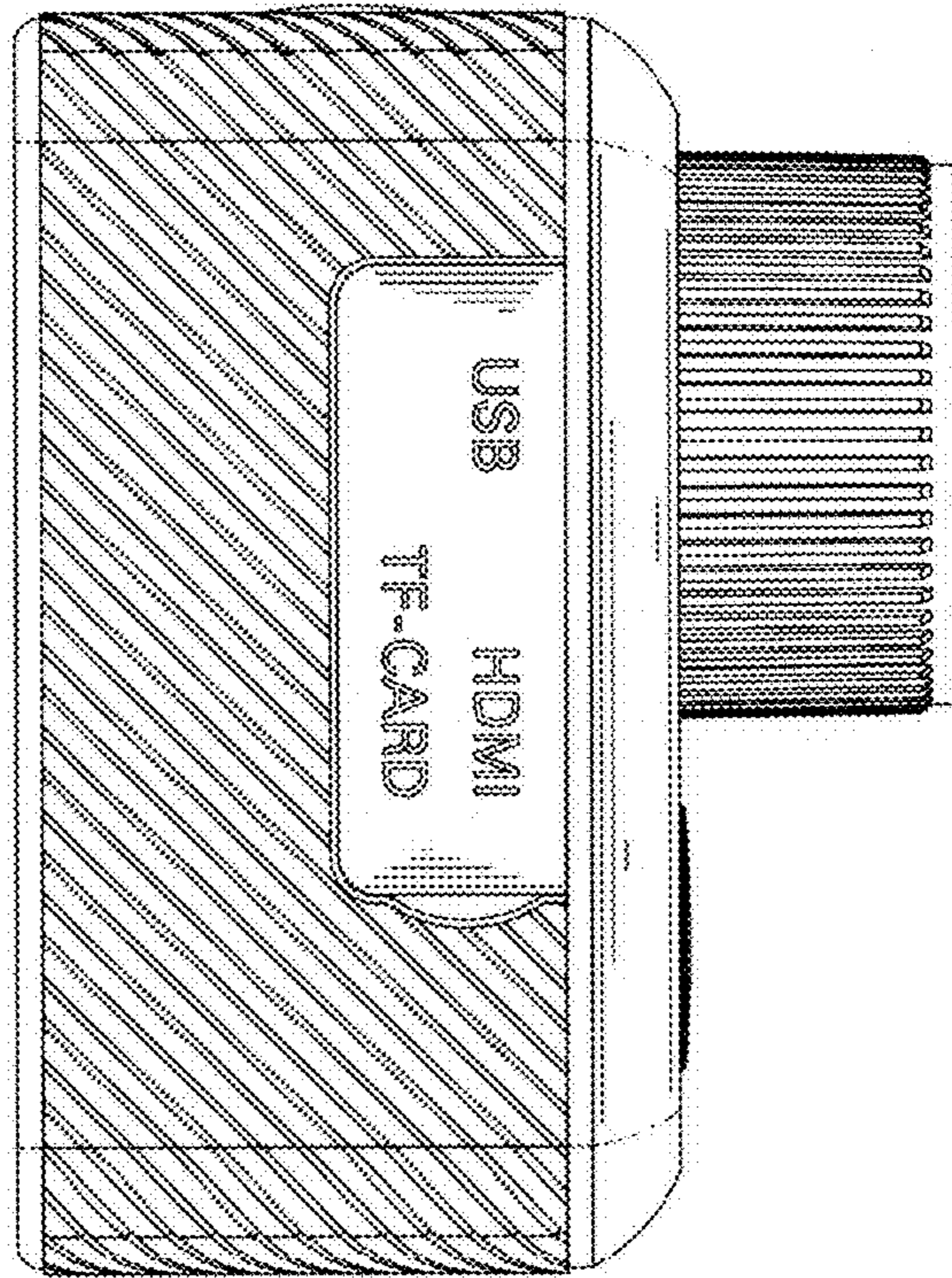


FIG. 3

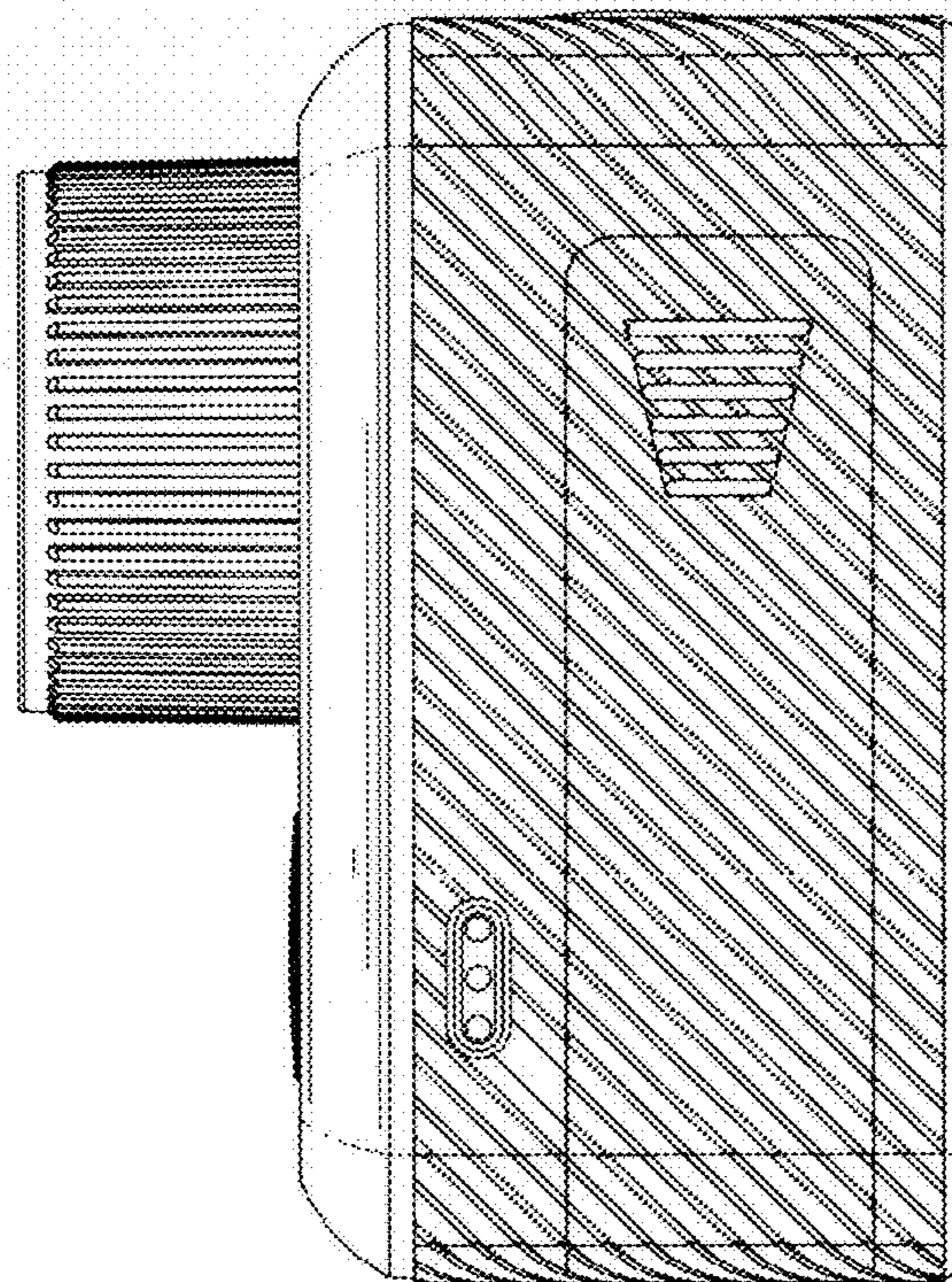


FIG. 4

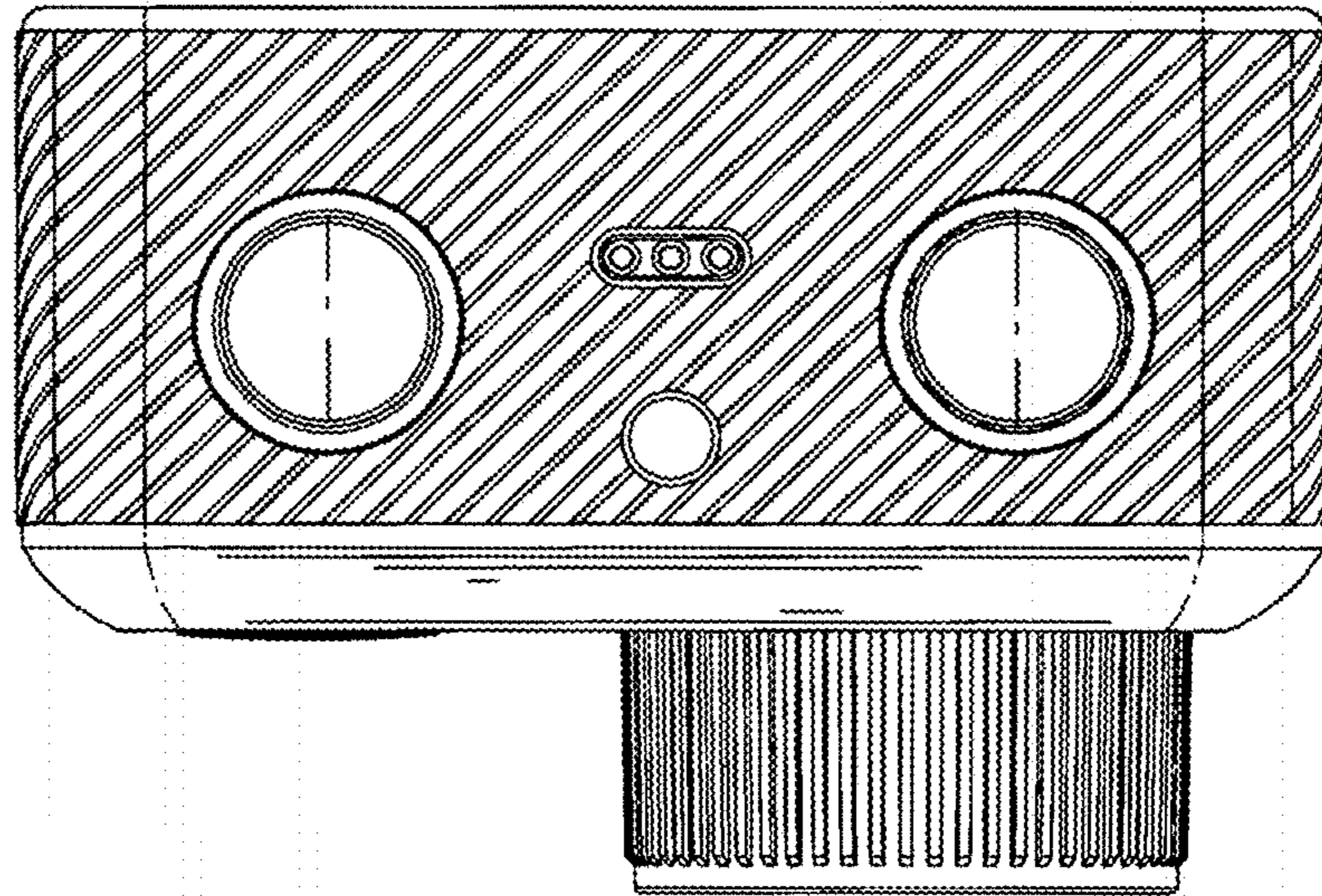


FIG. 5

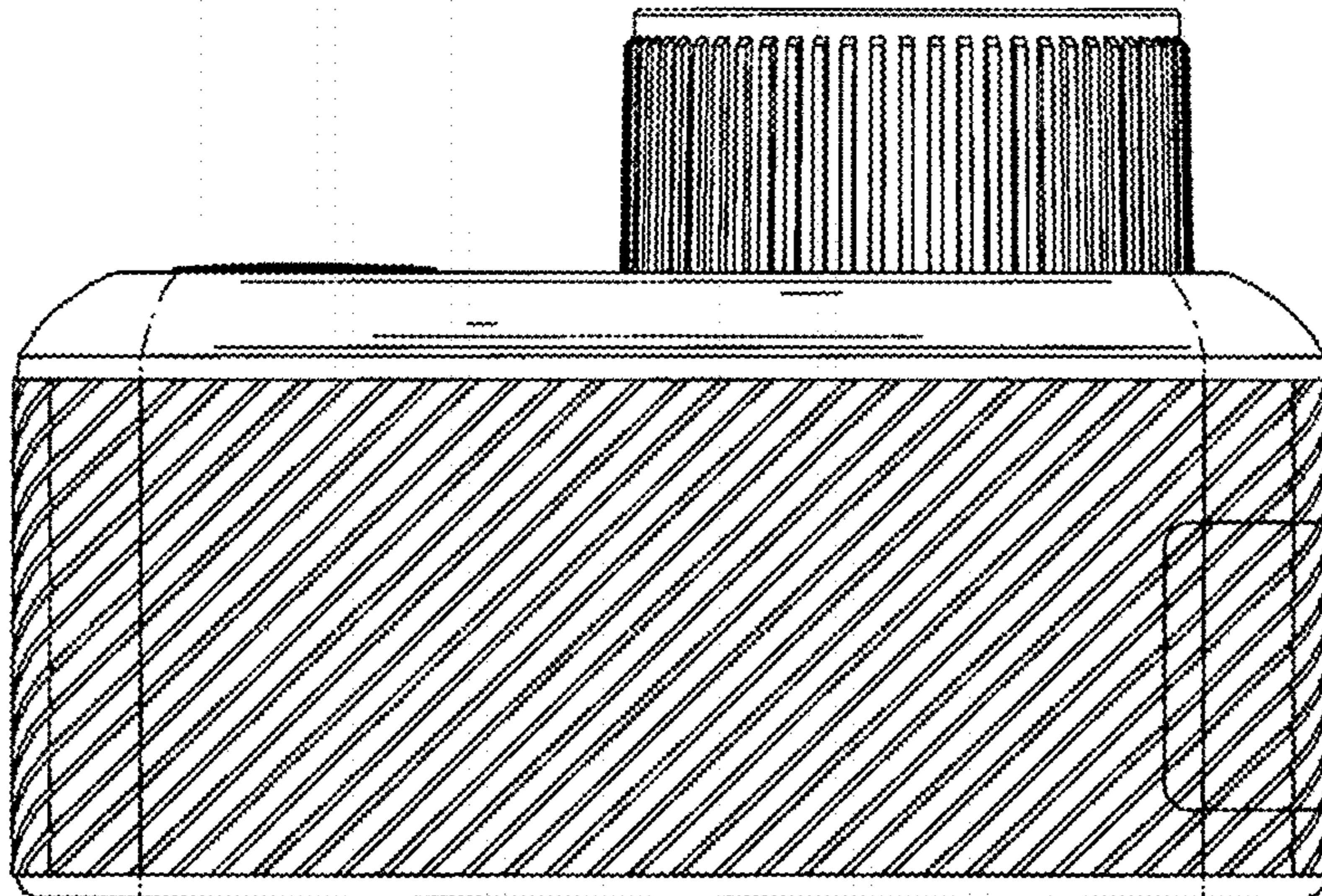


FIG. 6

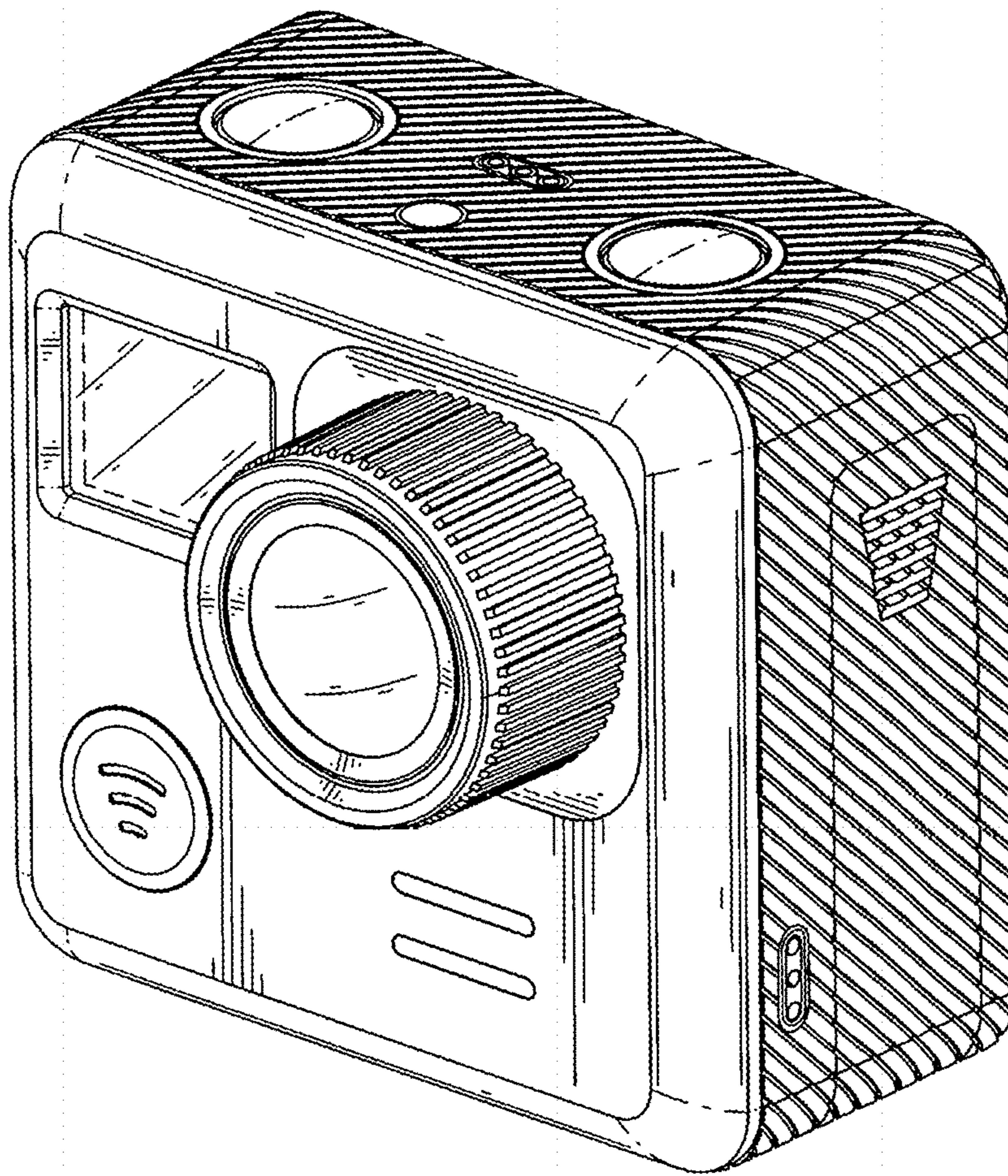


FIG. 7

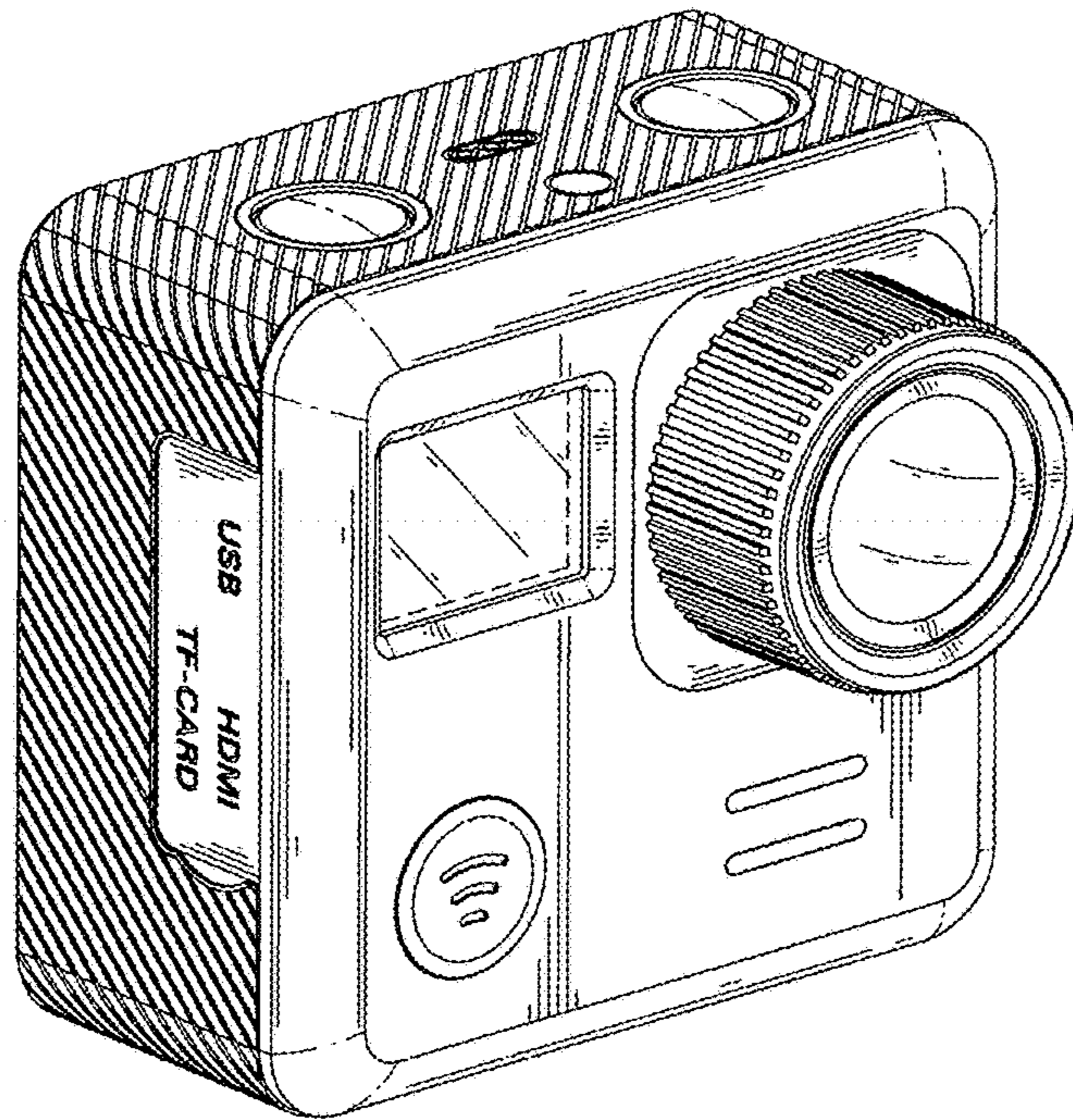


FIG. 8

UNITED STATES PATENT AND TRADEMARK OFFICE
CERTIFICATE OF CORRECTION

PATENT NO. : D800,202 S
APPLICATION NO. : 29/579248
DATED : October 17, 2017
INVENTOR(S) : Zhi Hui Hu

Page 1 of 1

It is certified that error appears in the above-identified patent and that said Letters Patent is hereby corrected as shown below:

On the Title Page

Item [71] add:

SHENZHEN BAKER AV DIGITAL TECHNOLOGY CO., LTD.
6/F, BLDG A, HUAYUAN INDUSTRIAL PARK, 1ST INDUSTRIAL AREA,
FENGHUANG, FUYONG STREET, BAO'AN DISTRICT, SHENZHEN,
CHINA

Signed and Sealed this
Third Day of May, 2022



Katherine Kelly Vidal
Director of the United States Patent and Trademark Office