



US00D800201S

(12) **United States Design Patent** (10) **Patent No.:** **US D800,201 S**
Song (45) **Date of Patent:** **** Oct. 17, 2017**

(54) **CAMERA** 8,587,715 B2 * 11/2013 Takeda H04N 13/0239
348/231.4
(71) Applicant: **TwoEyes Tech, Inc.**, Anyang-si, Gyeonggi-do (KR) D709,117 S * 7/2014 Gan D16/202
D711,451 S * 8/2014 Katsuyama D16/208
D722,941 S * 2/2015 Oh D12/400
D744,573 S * 12/2015 Matsumiya D16/218
(72) Inventor: **Hun Joo Song**, Yongin-si (KR) D747,386 S * 1/2016 Li D16/208
D750,681 S * 3/2016 Takami D16/202
(73) Assignee: **TwoEyes Tech, Inc.**, Anyang-si, Gyeonggi-do (KR) D751,622 S * 3/2016 Mao D16/218
D759,621 S * 6/2016 Maxwell D14/130
D769,956 S * 10/2016 Hinkel D16/203
D775,679 S * 1/2017 Klein D16/202

(**) Term: **15 Years**

(21) Appl. No.: **29/586,369**

(22) Filed: **Dec. 2, 2016**

(30) **Foreign Application Priority Data**

Nov. 30, 2016 (KR) 30-2016-0058022
Nov. 30, 2016 (KR) 30-2016-0058023
Nov. 30, 2016 (KR) 30-2016-0058024

(51) **LOC (10) Cl.** **16-01**

(52) **U.S. Cl.**
USPC **D16/202**

(58) **Field of Classification Search**
USPC D16/200, 202-203, 207, 208, 210, 218,
D16/219, 242; 248/187.1;
348/14.01-14.6, 143, 148, 151, 373-376;
396/419, 427, 428, 535, 539-541
CPC G03B 17/02; G03B 19/04; G03B 17/56;
G03B 17/04; G03B 15/03; H04N
2101/00; H04N 2007/145; H04N 7/141;
H04N 7/142; H04N 7/147; H04N 7/148;
H04N 7/15; H04N 7/152
See application file for complete search history.

(56) **References Cited**

U.S. PATENT DOCUMENTS

7,604,423 B2 * 10/2009 Nagata G03B 17/02
348/375
D641,388 S * 7/2011 Shih D16/202

OTHER PUBLICATIONS

Disclosure made in MWC Shanghai 2016 Expo on Jun. 29, 2016, which does not qualify as prior art under AIA 35 U.S.C. 102(b)(1)(A).

* cited by examiner

Primary Examiner — Philip S Hyder
Assistant Examiner — Ramzi Almatrahi
(74) *Attorney, Agent, or Firm* — Novick, Kim & Lee, PLLC; Sang Ho Lee

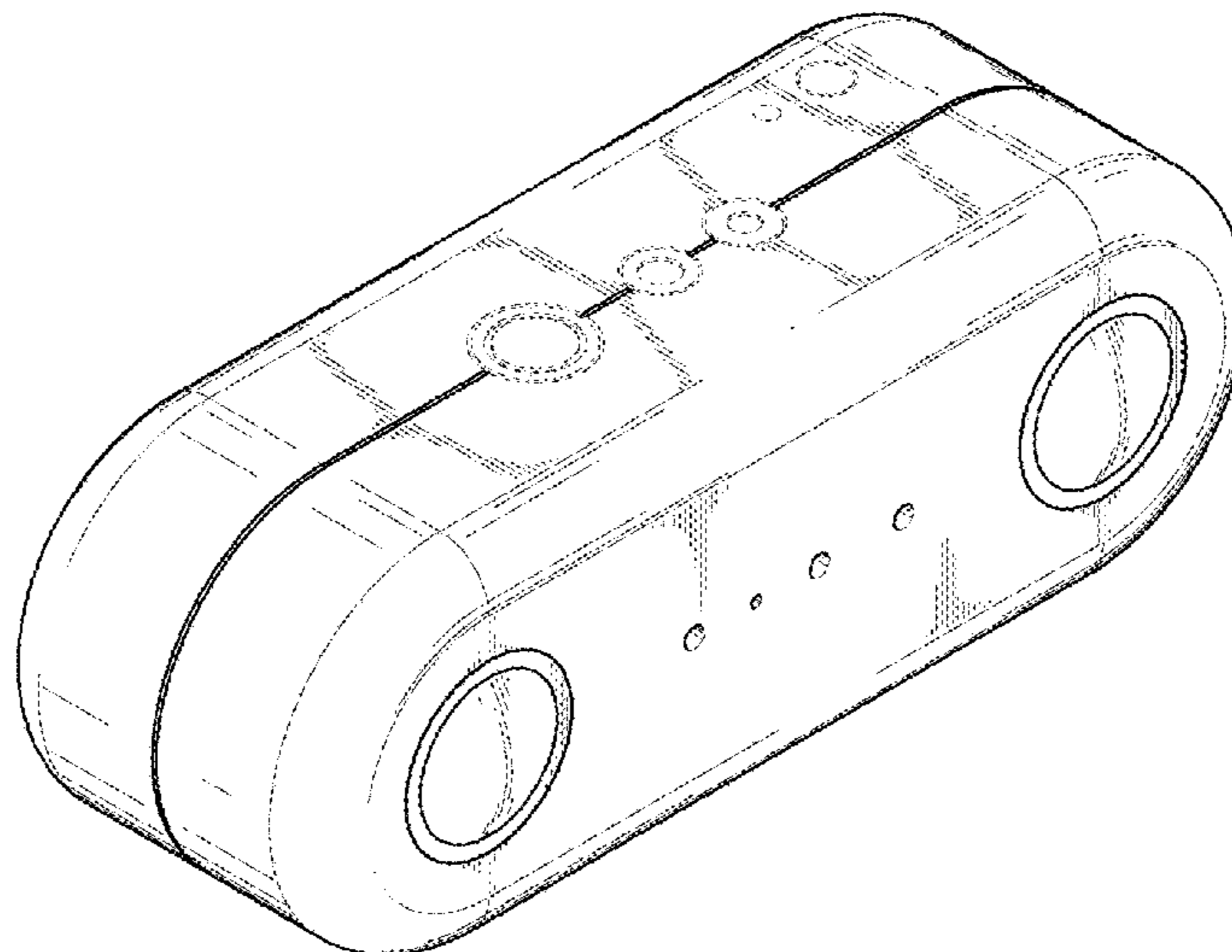
(57) **CLAIM**

The ornamental design for a camera, as shown and described.

DESCRIPTION

FIG. 1 is a front perspective view of a camera, showing my new design;
FIG. 2 is a front elevational view thereof;
FIG. 3 is a rear elevational view thereof;
FIG. 4 is a left side elevational view thereof;
FIG. 5 is a right side elevational view thereof;
FIG. 6 is a top plan view thereof; and,
FIG. 7 is a bottom plan view thereof.
The broken lines depict portions of the camera in which the design is embodied that form no part of the claimed design.

1 Claim, 4 Drawing Sheets



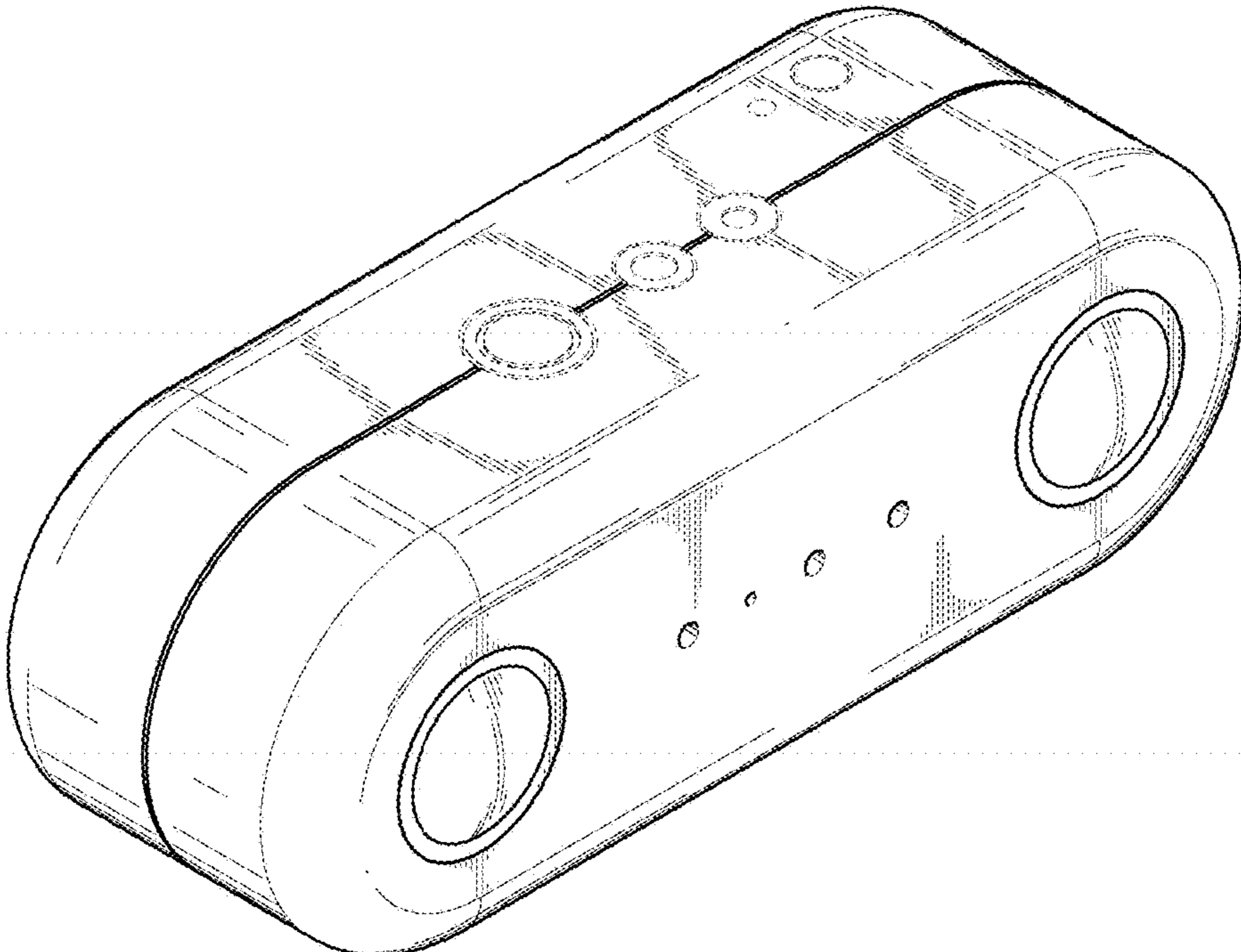


FIG. 1

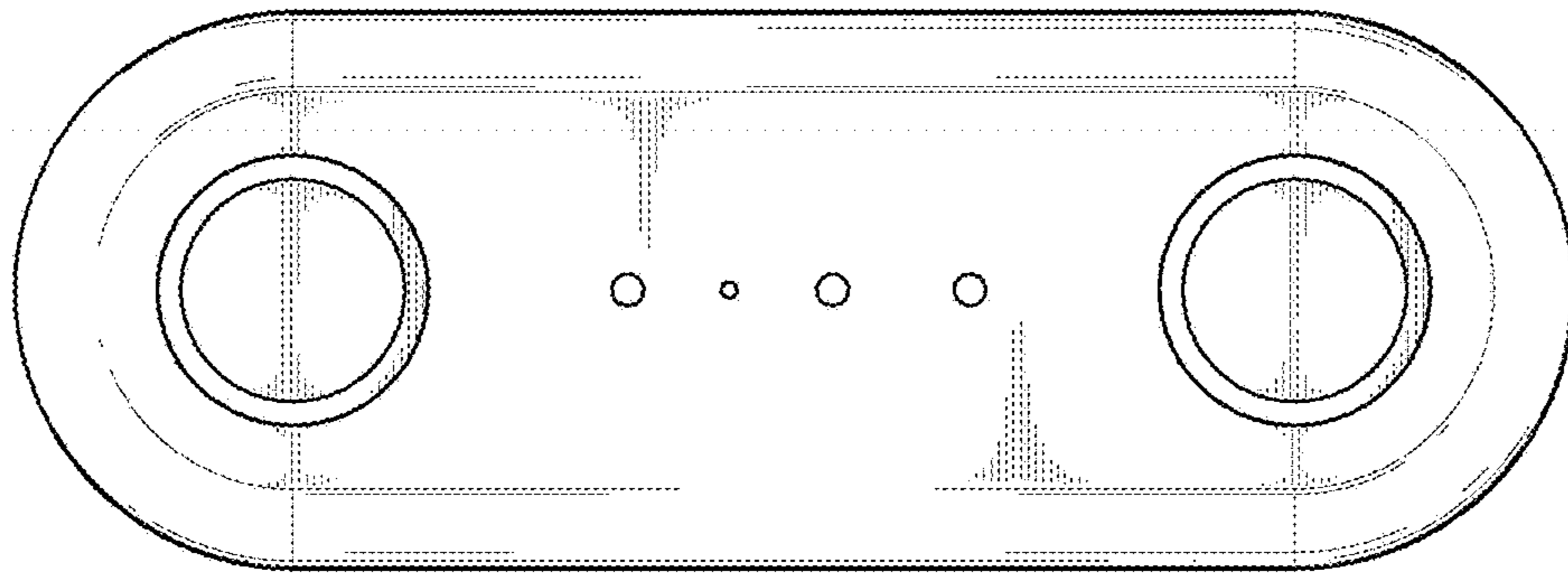


FIG. 2

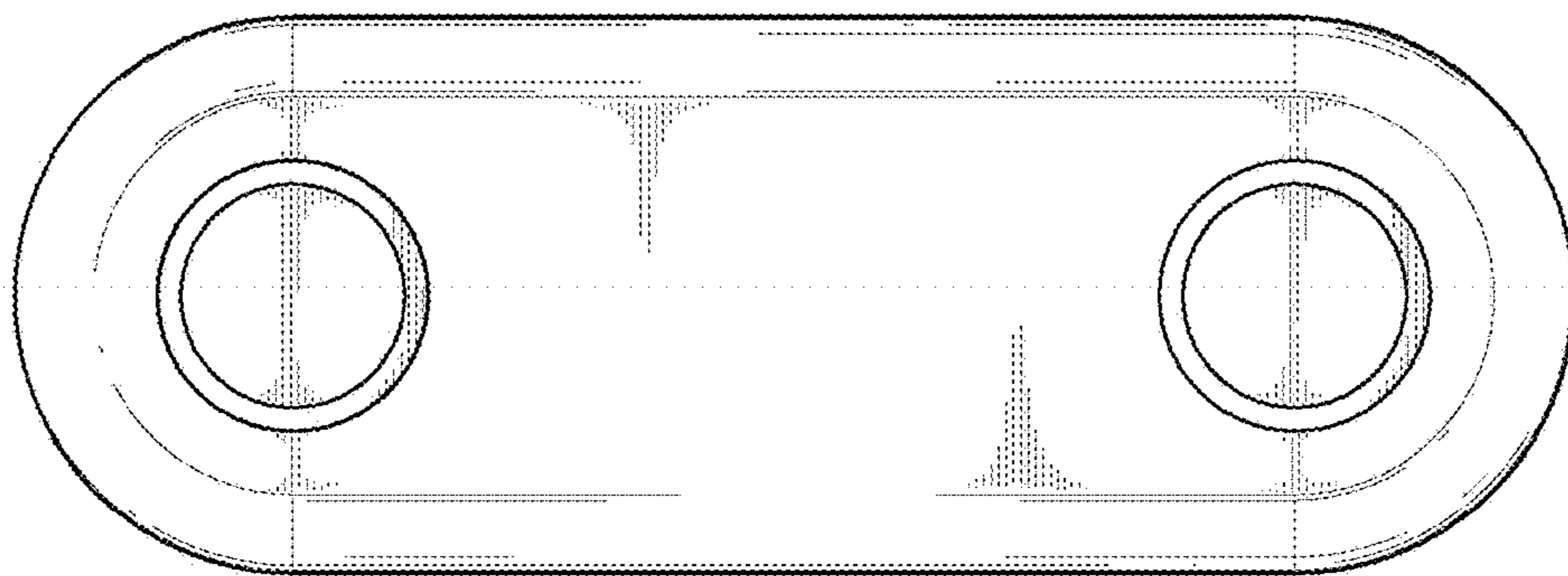


FIG. 3

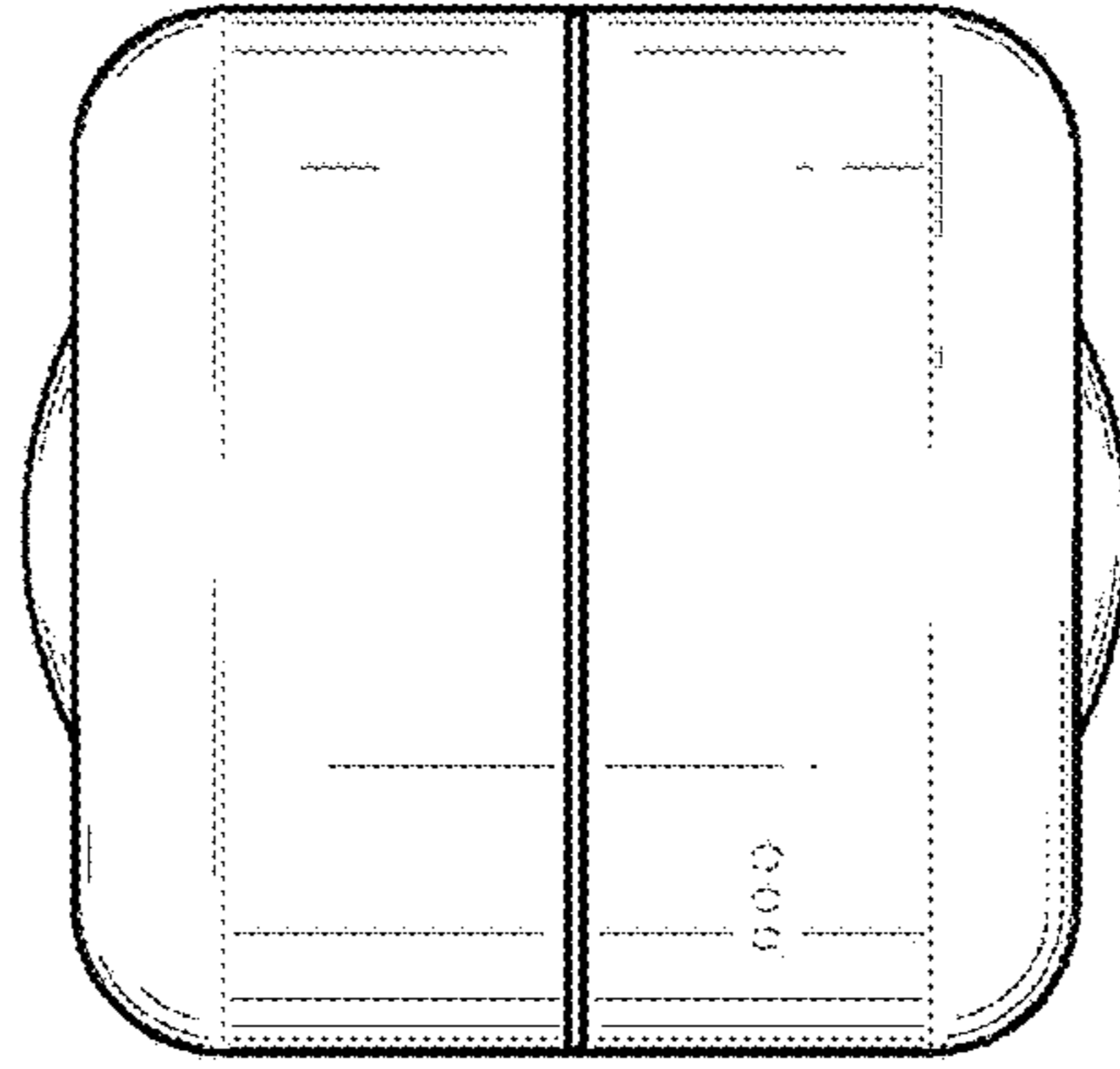


FIG. 4

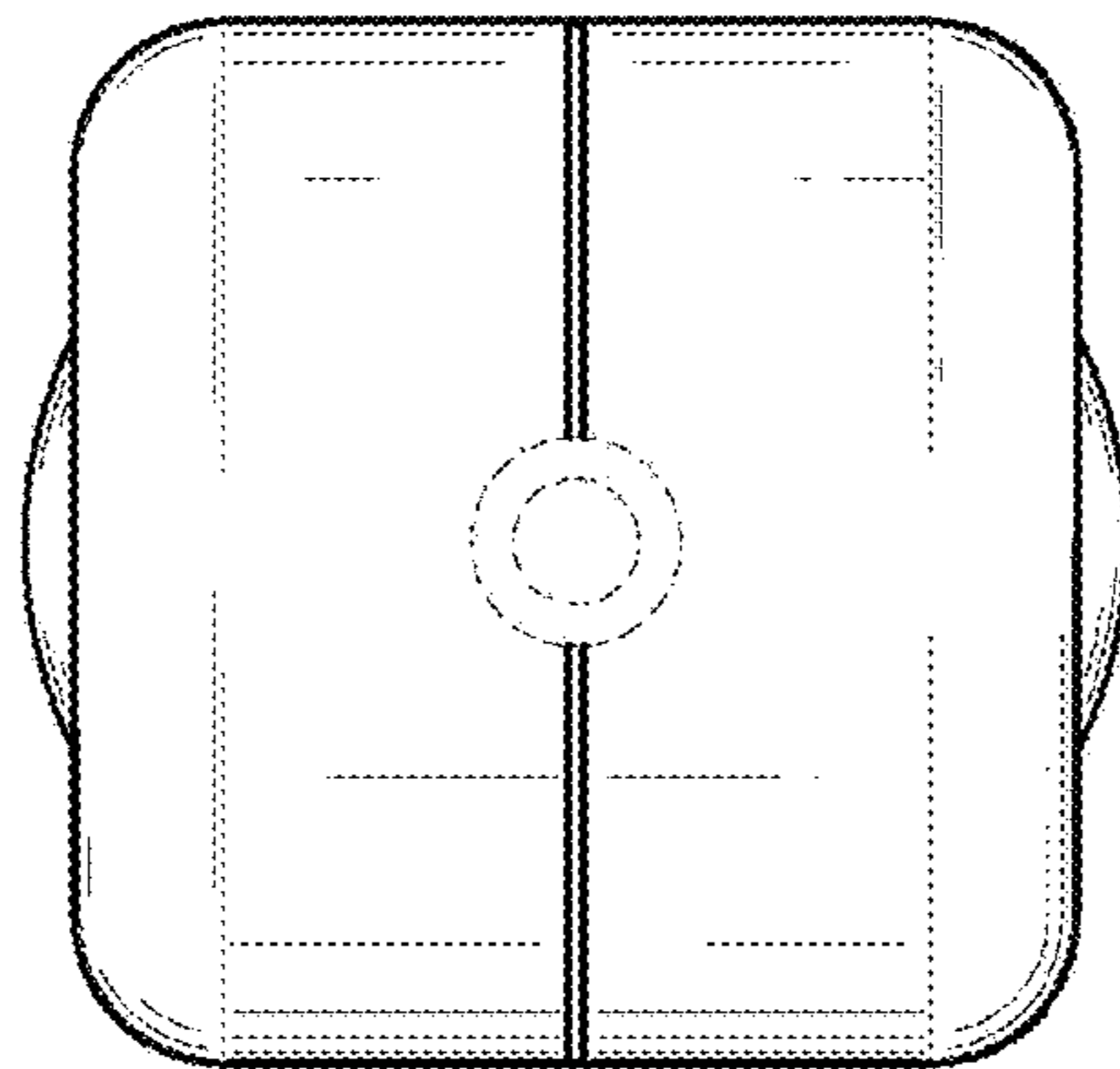


FIG. 5

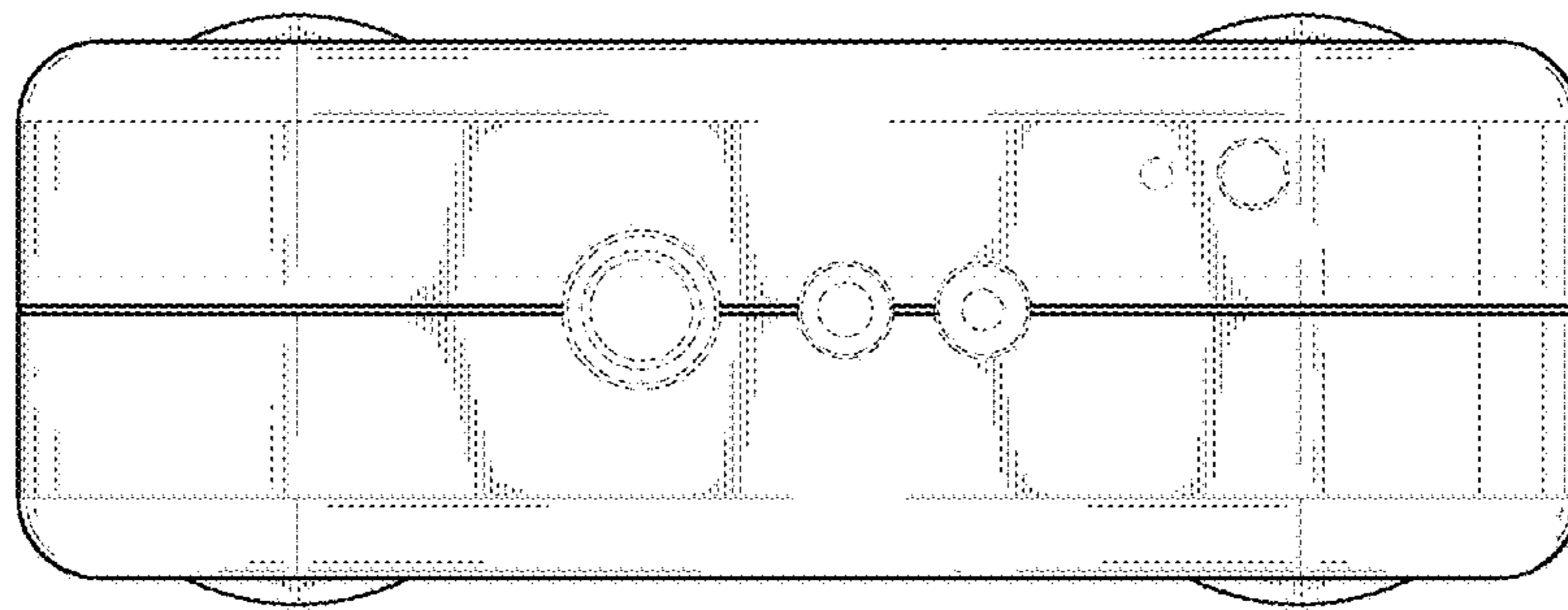


FIG. 6

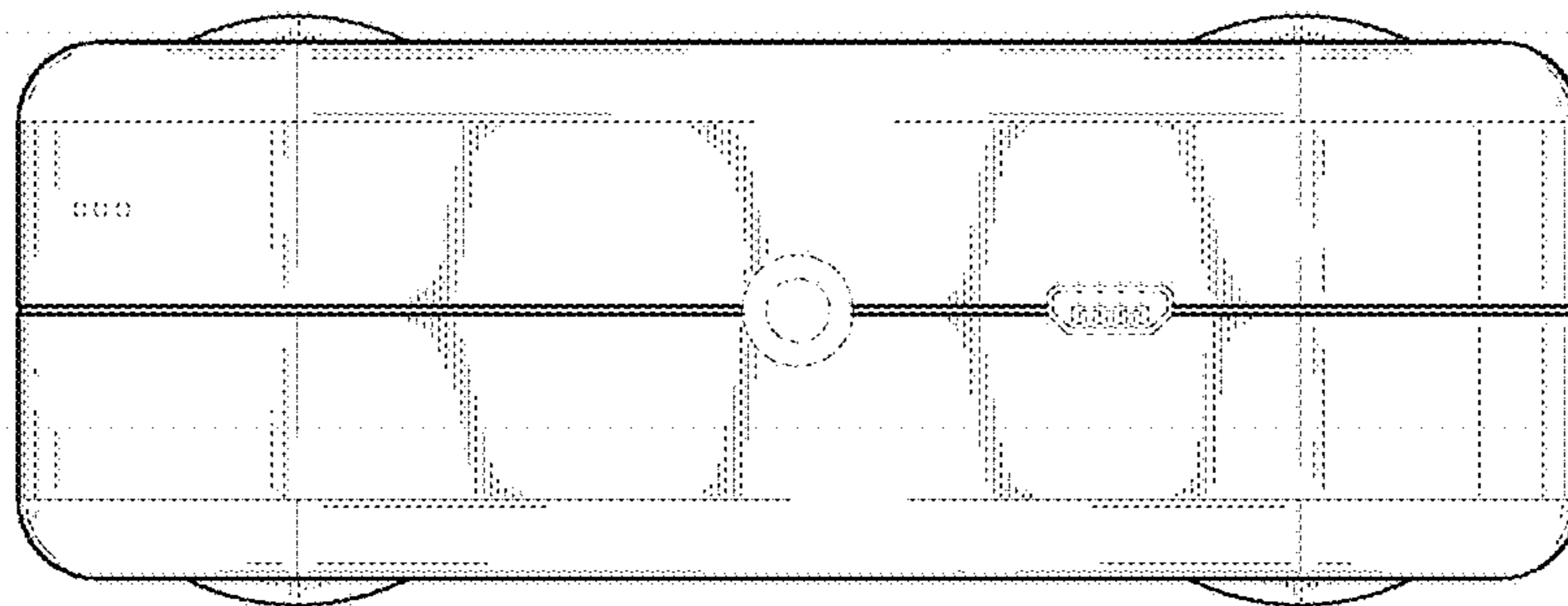


FIG. 7