



(12) **United States Design Patent**
Abe et al.

(10) **Patent No.:** **US D800,200 S**
(45) **Date of Patent:** **** Oct. 17, 2017**

(54) **DIGITAL CAMERA**

(71) Applicant: **Nikon Corporation**, Tokyo (JP)

(72) Inventors: **Kenji Abe**, Kawasaki (JP); **Kenichi Soejima**, Yokohama (JP)

(73) Assignee: **Nikon Corporation**, Tokyo (JP)

(**) Term: **15 Years**

(21) Appl. No.: **29/574,461**

(22) Filed: **Aug. 16, 2016**

(30) **Foreign Application Priority Data**

Feb. 18, 2016 (JP) 2016-003533

(51) **LOC (10) Cl.** **16-01**

(52) **U.S. Cl.**
USPC **D16/202**

(58) **Field of Classification Search**
USPC D16/200, 202-206, 208, 218, 219;
348/373-376; 396/535, 539-541
CPC G03B 15/03; G03B 17/02; G03B 17/04;
G03B 17/56; G03B 19/04; H04N 5/2251;
H04N 5/2252; H04N 5/2253; H04N
5/2254; H04N 2101/00

See application file for complete search history.

(56) **References Cited**

U.S. PATENT DOCUMENTS

D631,496 S *	1/2011	Tainaka	D16/202
D633,934 S *	3/2011	Funakoshi	D16/202
D647,552 S	10/2011	Ogasawara et al.		
D657,408 S *	4/2012	Tainaka	D16/202
D681,710 S *	5/2013	Sato	D16/200
D698,839 S *	2/2014	Sato	D16/200
D706,329 S *	6/2014	Sakai	D16/202
D716,862 S *	11/2014	Hoshi	D16/202
D719,993 S *	12/2014	Soejima	D16/202
D720,786 S *	1/2015	Imamizu	D16/202
D727,990 S	4/2015	Sakai		

(Continued)

FOREIGN PATENT DOCUMENTS

JP	1413002 S	5/2011
JP	1495795 S	4/2014
JP	1535211	10/2015

OTHER PUBLICATIONS

Web page of Canon, Press Release dated Feb. 17, 2016, "Take that camera to go! Canon U.S.A. launches compact Powershot G7 X Mark II and PowerShot SX720 HS digital cameras," pp. 1-2. <https://www.usa.canon.com/internet/portal/us/home/about/newsroom/press-releases/press-release-details/2016/20160217-camera-powershot-g7xmarkii-sx720h/20160217-camera-powershot-g7xmarkii-sx720h>.

(Continued)

Primary Examiner — Philip S Hyder

Assistant Examiner — Ramzi Almatrahi

(74) *Attorney, Agent, or Firm* — Wolf, Greenfield & Sacks, P.C.

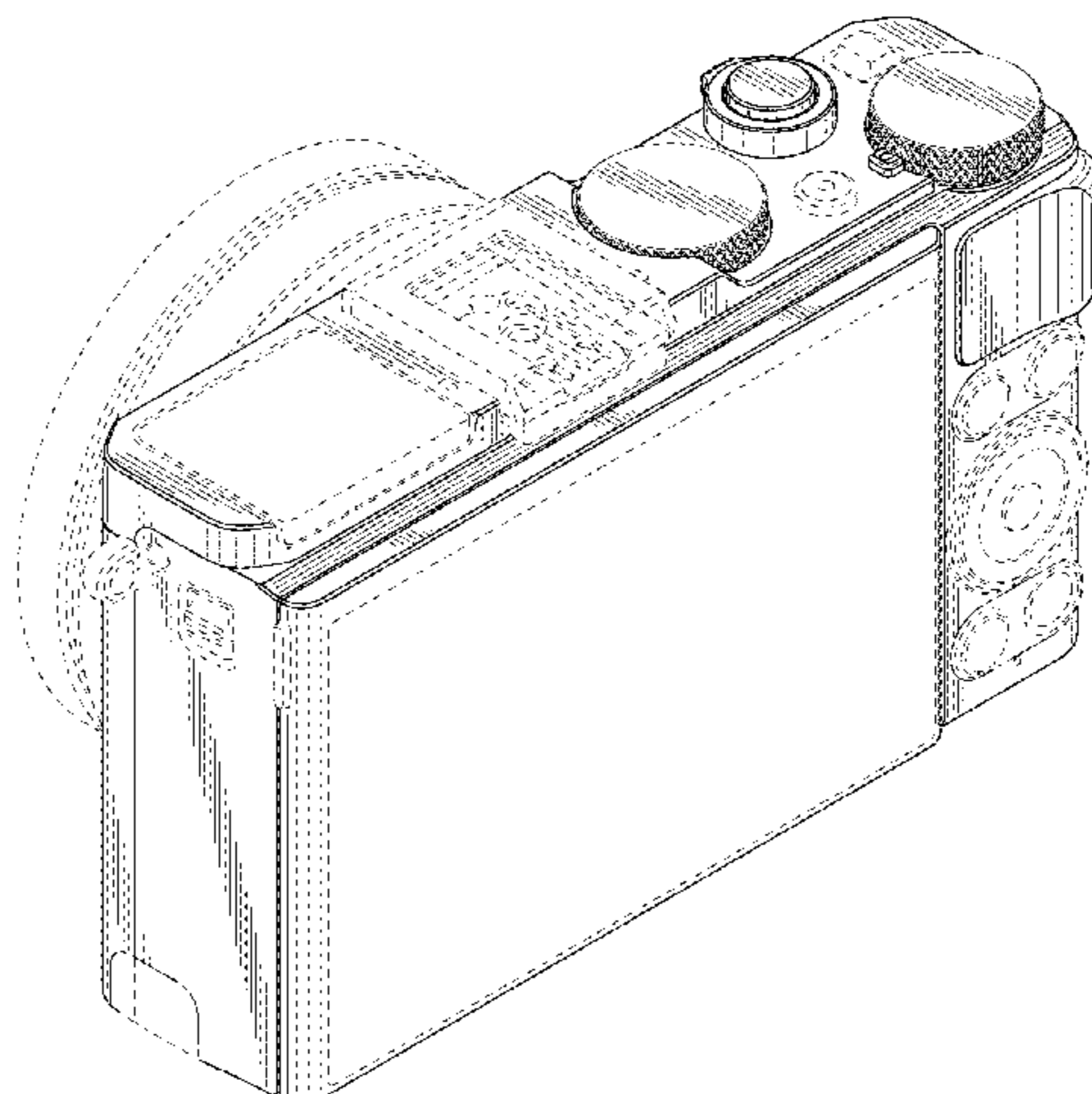
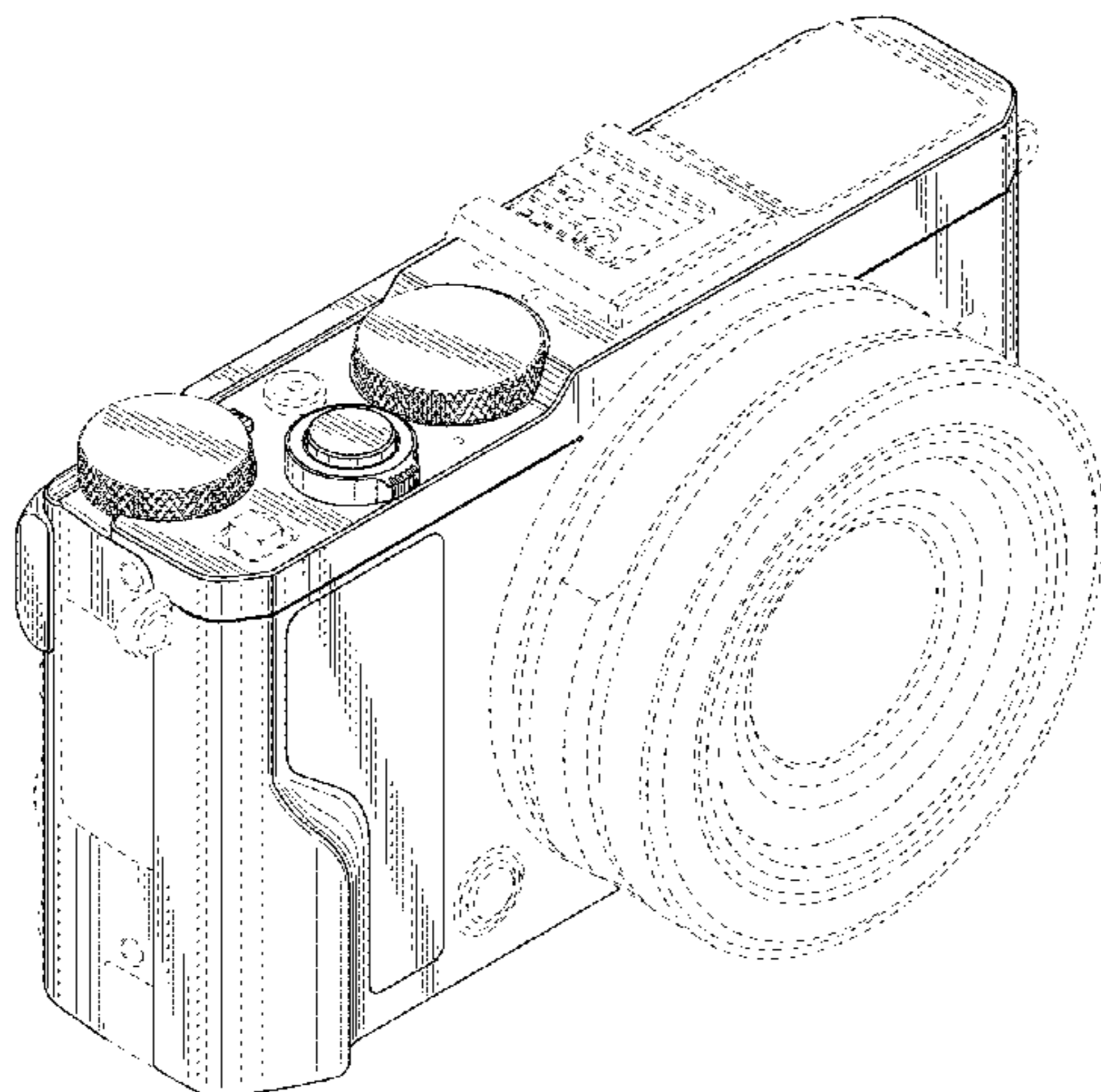
(57) **CLAIM**

The ornamental design for a digital camera, as shown and described.

DESCRIPTION

FIG. 1 is a front perspective view of a digital camera showing our new design;
FIG. 2 is a rear perspective view thereof;
FIG. 3 is a front elevational view thereof;
FIG. 4 is a rear elevational view thereof;
FIG. 5 is a top plan view thereof;
FIG. 6 is a bottom plan view thereof;
FIG. 7 is a right side elevational view thereof; and,
FIG. 8 is a left side elevational view thereof.
The broken lines depict portions of the digital camera in which the design is embodied that form no part of the claimed design. Additionally, the dash-dot lines denote the boundary of the claim and form no part of the claimed design.

1 Claim, 8 Drawing Sheets



(56)

References Cited

U.S. PATENT DOCUMENTS

D731,572 S * 6/2015 Nohara D16/202
2011/0109790 A1* 5/2011 Shinohara G03B 17/14
348/373
2011/0298970 A1* 12/2011 Shinohara G03B 17/14
348/373
2013/0335623 A1* 12/2013 Furuyama G02B 7/023
348/373

OTHER PUBLICATIONS

Web page of Sony Corporation, picture of AG-R1, attachment grip for a digital still camera, printed from the Internet on Aug. 2, 2016, pp. 1-4. <http://www.sony.jp/cyber-shot/products/AG-R1/image.html>.

Web page of Sony Corporation, Press release dated Jun. 27, 2013 which introduces the launch of Cyber shot "RX100 II", printed from the Internet on Aug. 2, 2016, pp. 1-6. <http://www.sony.jp/CorporateCruise/Press/201306/13-0627/>.

* cited by examiner

FIG. 1

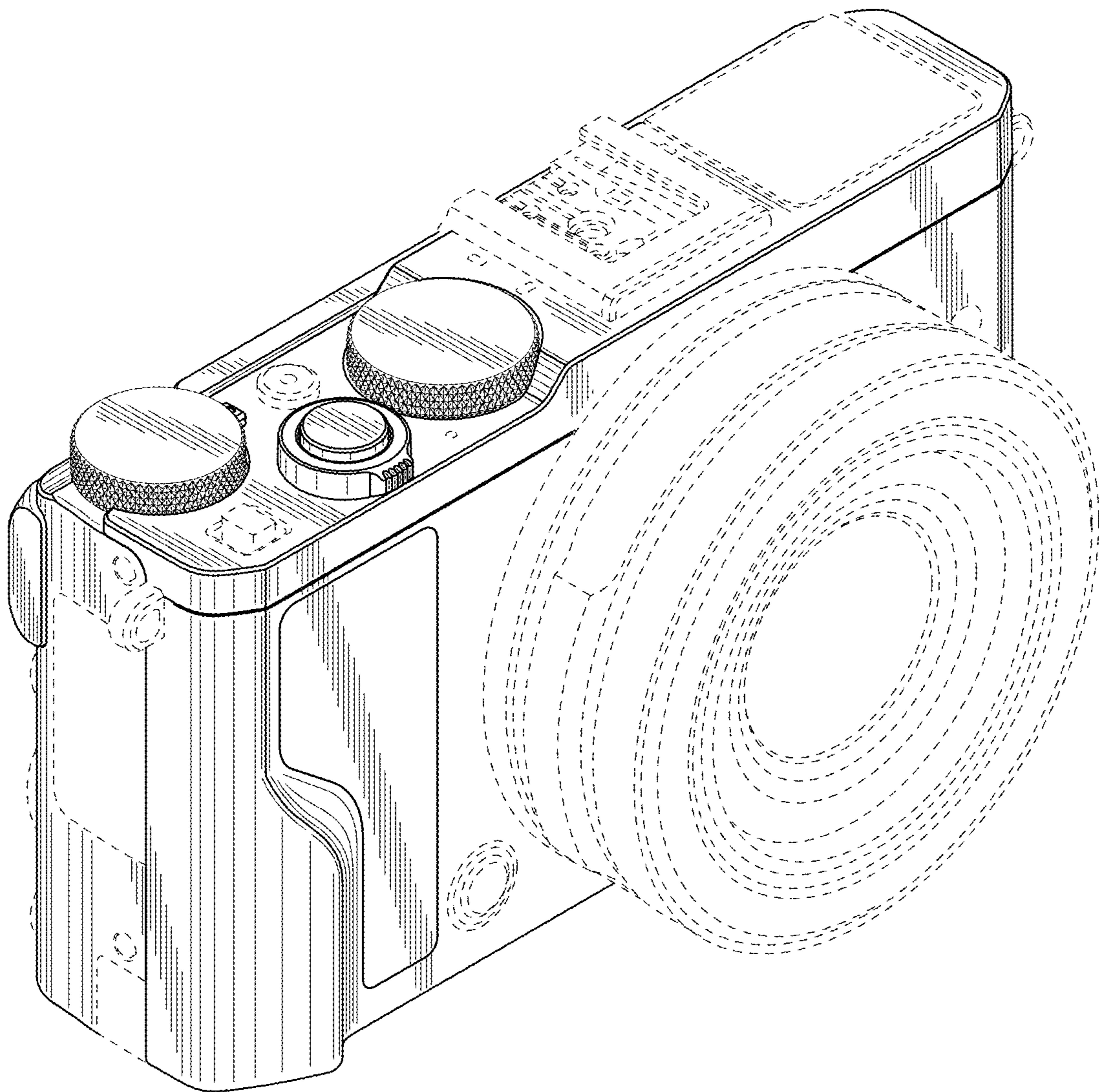


FIG. 2

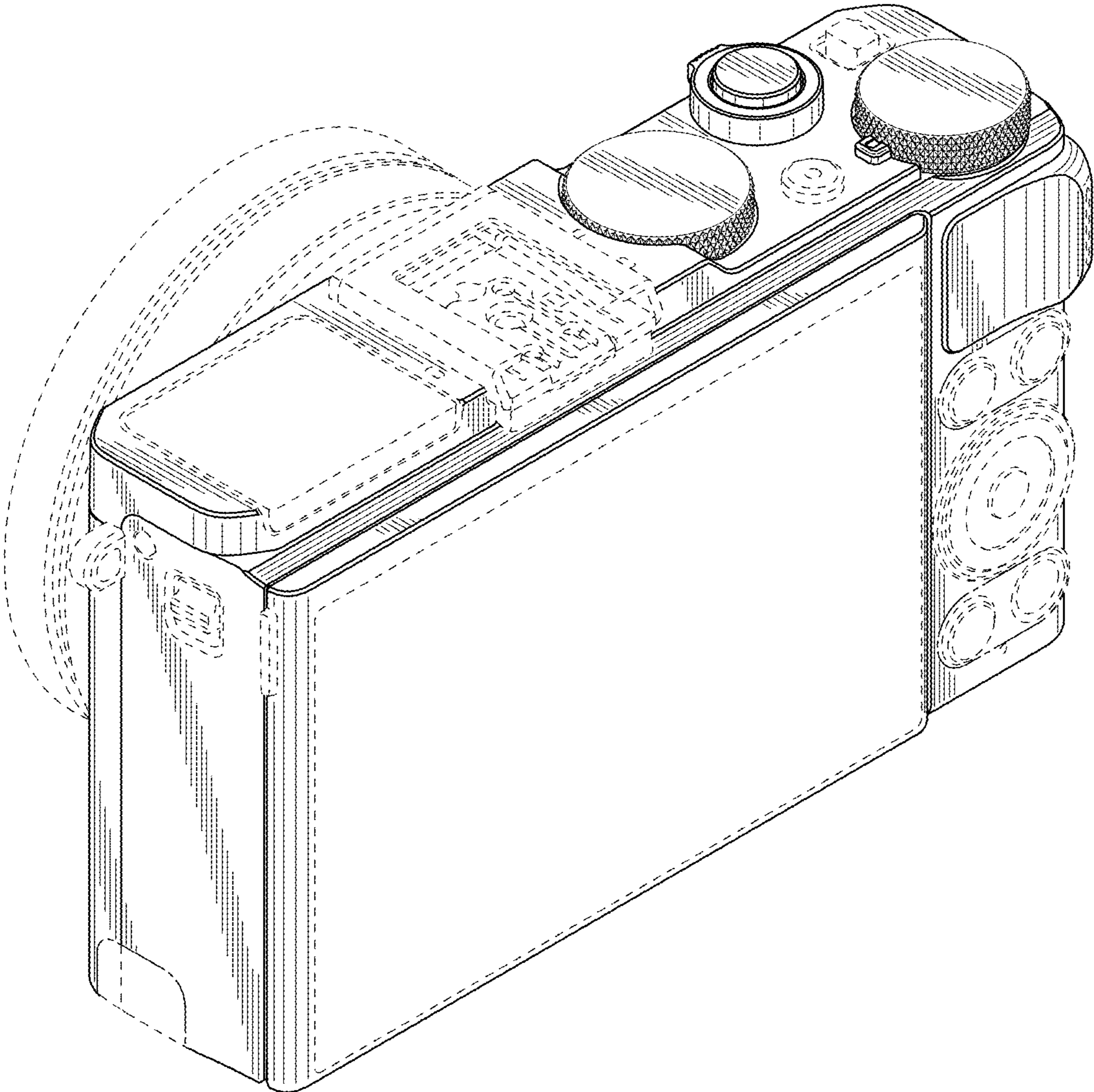


FIG. 3

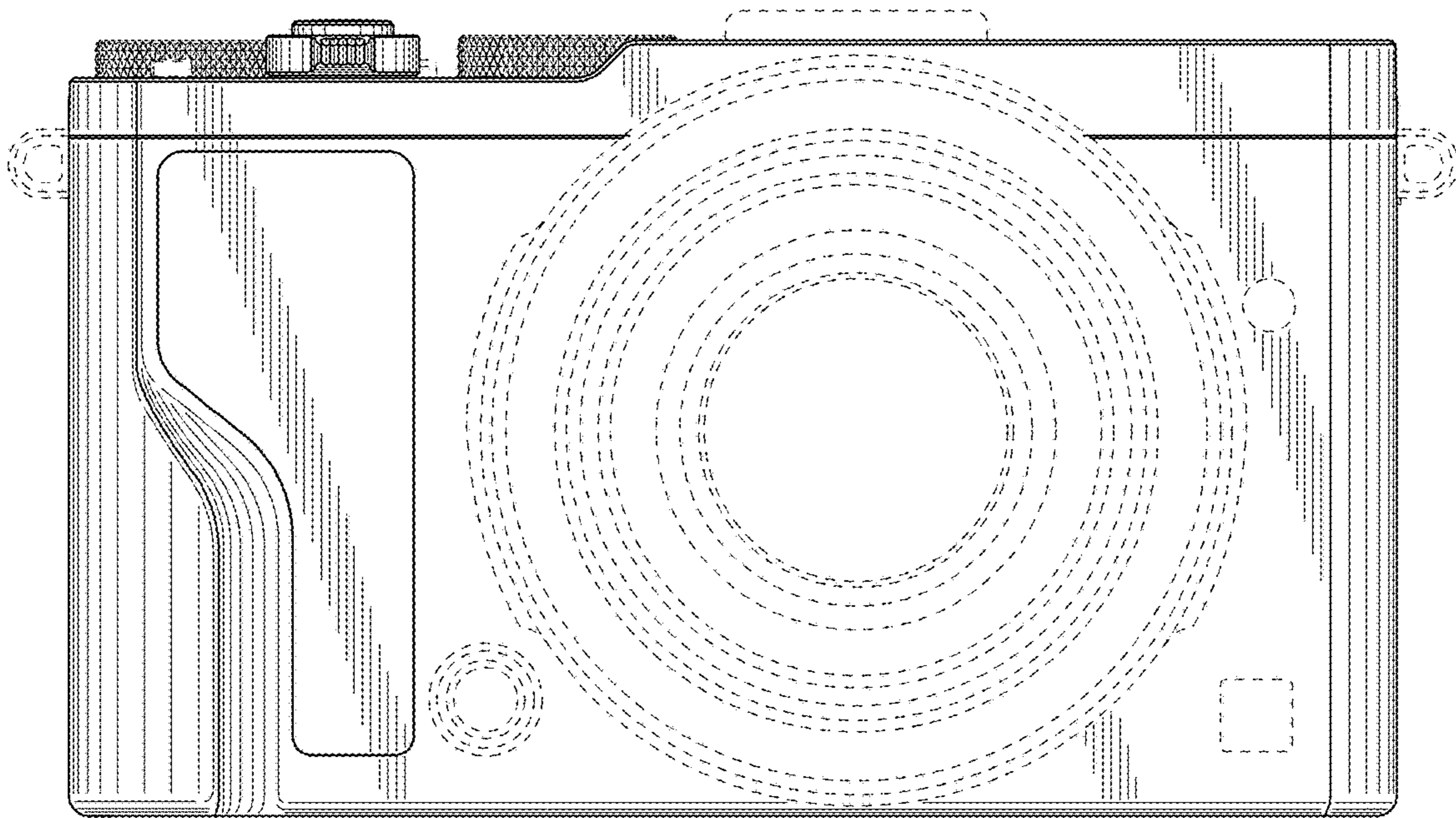


FIG. 4

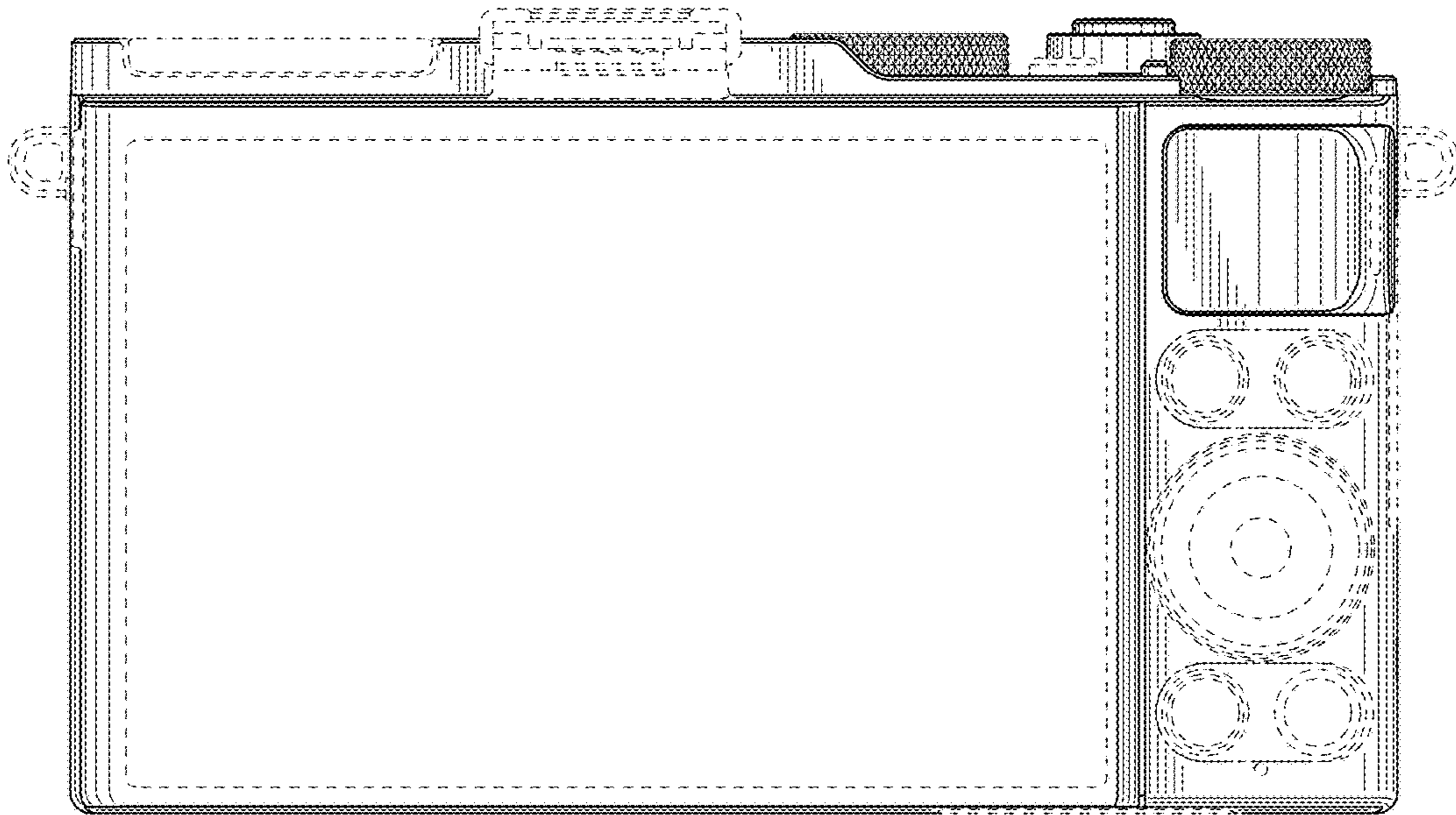


FIG. 5

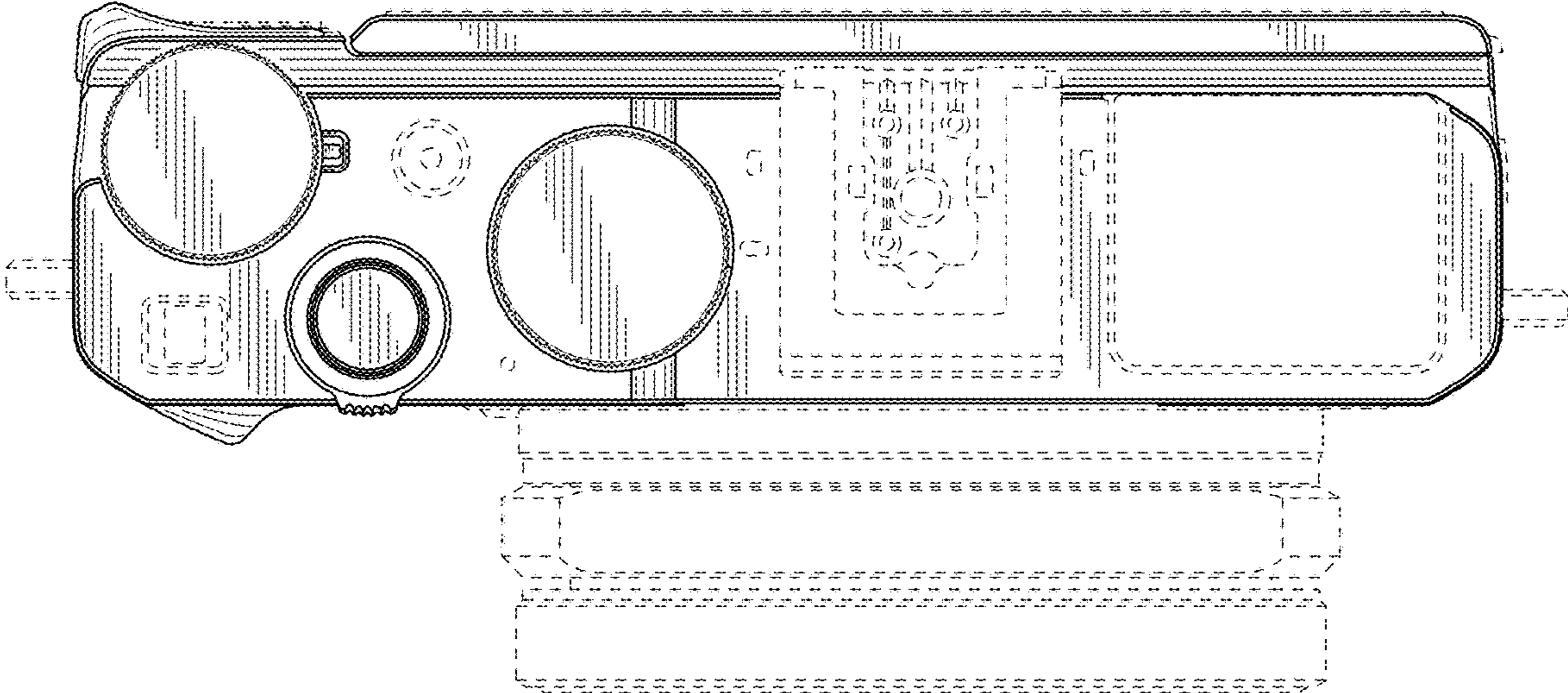


FIG. 6

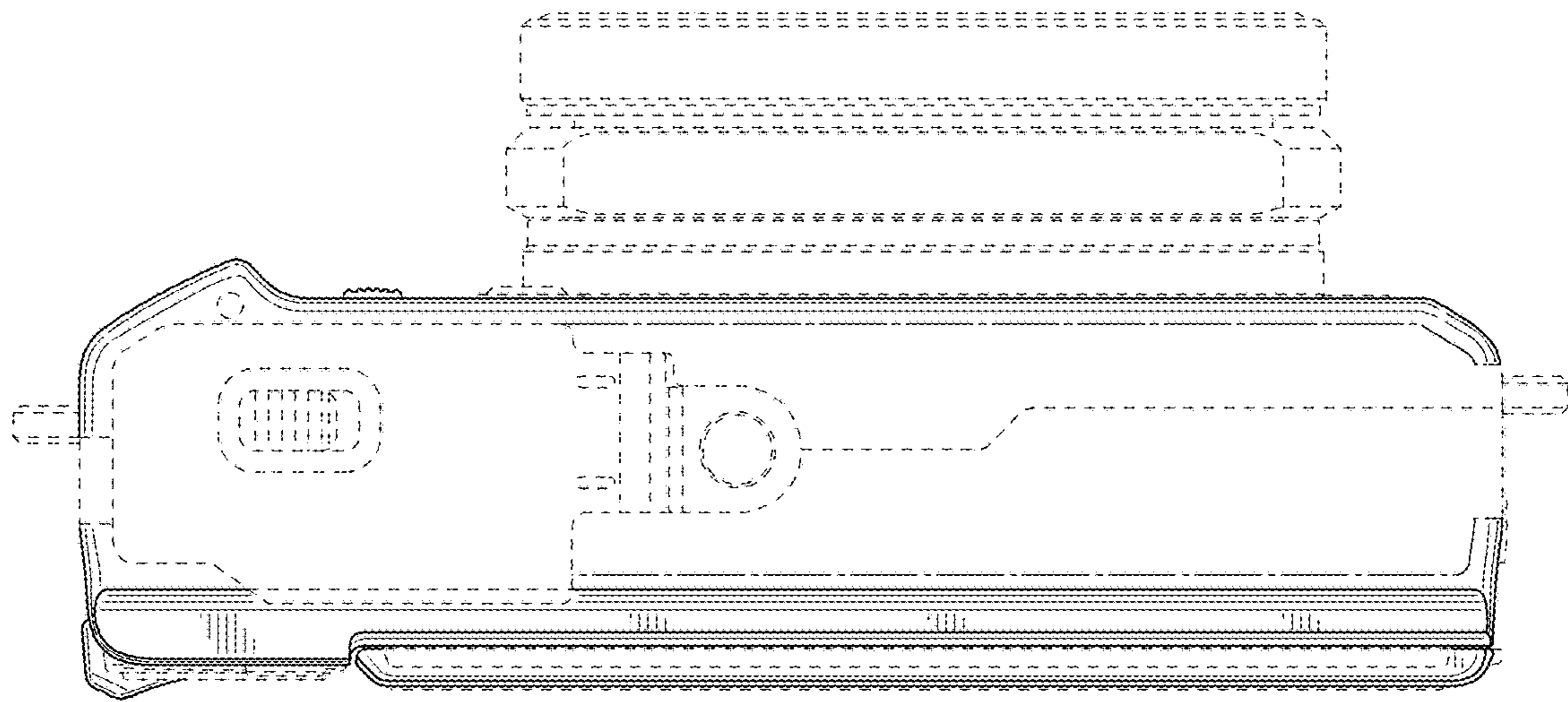


FIG. 7

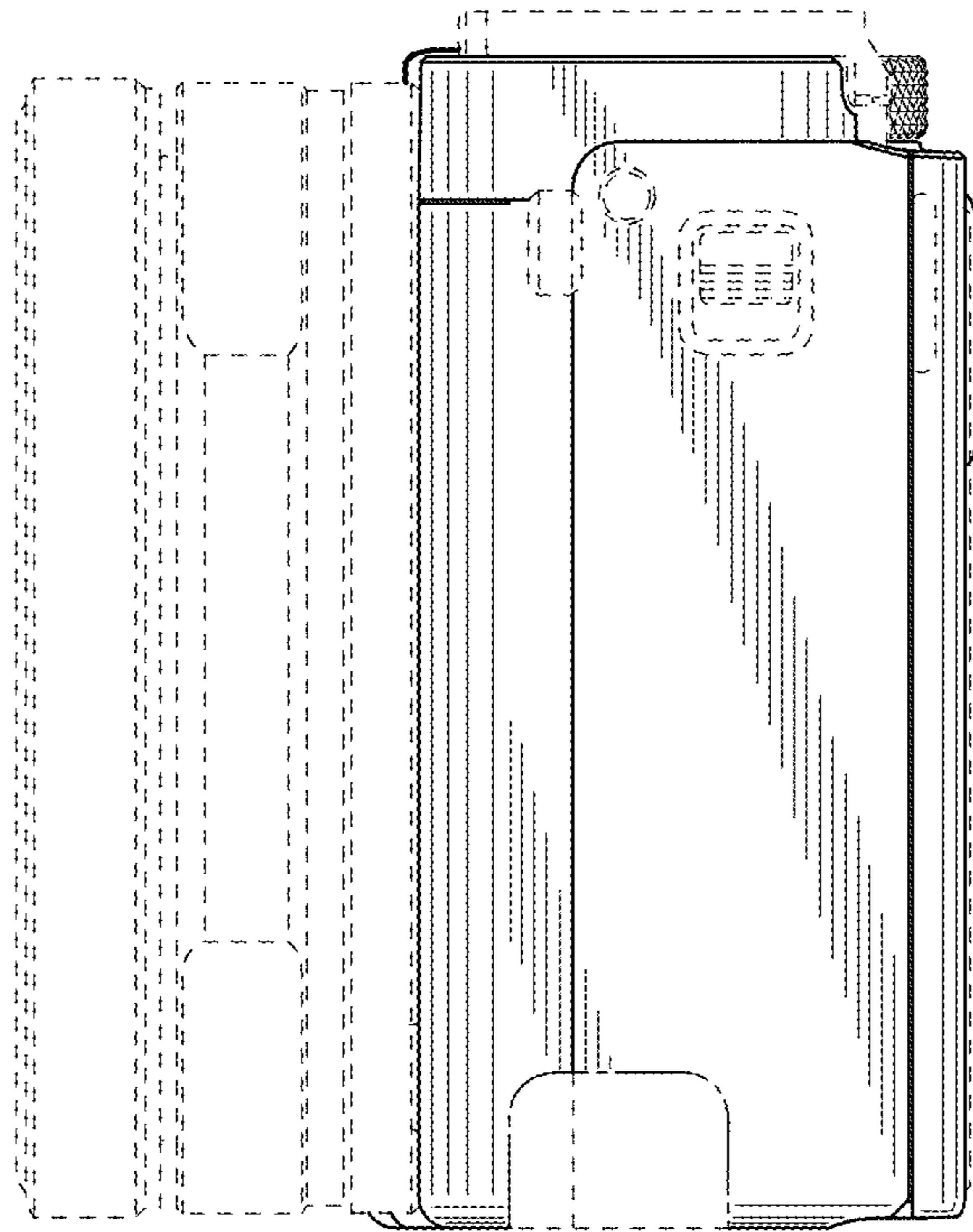


FIG. 8

