



US00D800198S

(12) **United States Design Patent**
Branning et al.

(10) **Patent No.:** **US D800,198 S**
(45) **Date of Patent:** **** Oct. 17, 2017**

(54) **COMBINED ELECTRIC MOTOR AND PLANETARY TRANSMISSION**

(71) Applicant: **Auburn Gear, Inc.**, Auburn, IN (US)

(72) Inventors: **Isaac D. Branning**, Arcola, IN (US);
Steve M. Juhasz, Bryan, OH (US);
Andrew J. Schneider, Fort Wayne, IN (US)

(73) Assignee: **Auburn Gear, Inc.**, Auburn, IN (US)

(**) Term: **15 Years**

(21) Appl. No.: **29/552,401**

(22) Filed: **Jan. 21, 2016**

(51) **LOC (10) Cl.** **15-09**

(52) **U.S. Cl.**

USPC **D15/149**

(58) **Field of Classification Search**

USPC D12/80; D15/148, 149; 74/640; 92/71;
192/38, 223.2; 475/331

CPC F16D 3/72; F16H 37/042; F16H 47/04;
F16H 57/0025; F16H 2037/0886; Y10T
74/19647

See application file for complete search history.

(56) **References Cited**

U.S. PATENT DOCUMENTS

4,930,590	A	6/1990	Love et al.	
5,616,097	A	4/1997	Dammon	
6,516,924	B1	2/2003	Michael et al.	
6,637,571	B2	10/2003	Arnold et al.	
6,852,061	B2	2/2005	Schoon	
D529,527	S *	10/2006	Kinoshita	D15/148
D533,204	S *	12/2006	Kinoshita	D15/149
7,258,208	B1	8/2007	Dennis et al.	
7,353,921	B2	4/2008	Dennis et al.	
D604,347	S *	11/2009	Wittenstein	D15/149
8,323,143	B2	12/2012	Schoon	
D682,902	S *	5/2013	Tanaka	D15/149
8,449,424	B2	5/2013	Schoon	

(Continued)

FOREIGN PATENT DOCUMENTS

DE 10062315 7/2002

OTHER PUBLICATIONS

Brevini Power Transmission photo, Feb. 2008.
Brevini Wheel Drives catalog, at least as early as Feb. 2008.

Primary Examiner — Patricia Palasik

(74) *Attorney, Agent, or Firm* — Faegre Baker Daniels LLP

(57) **CLAIM**

The ornamental design for a combined electric motor and planetary transmission, as shown and described.

DESCRIPTION

FIG. 1 is a front perspective view of a combined electric motor and planetary transmission illustrating our new design;

FIG. 2 is a rear perspective view thereof;

FIG. 3 is a front elevation view thereof;

FIG. 4 is a rear elevation view thereof;

FIG. 5 is a left side elevation view thereof, it being understood that the right side elevation view thereof is identical;

FIG. 6 is a top plan view thereof;

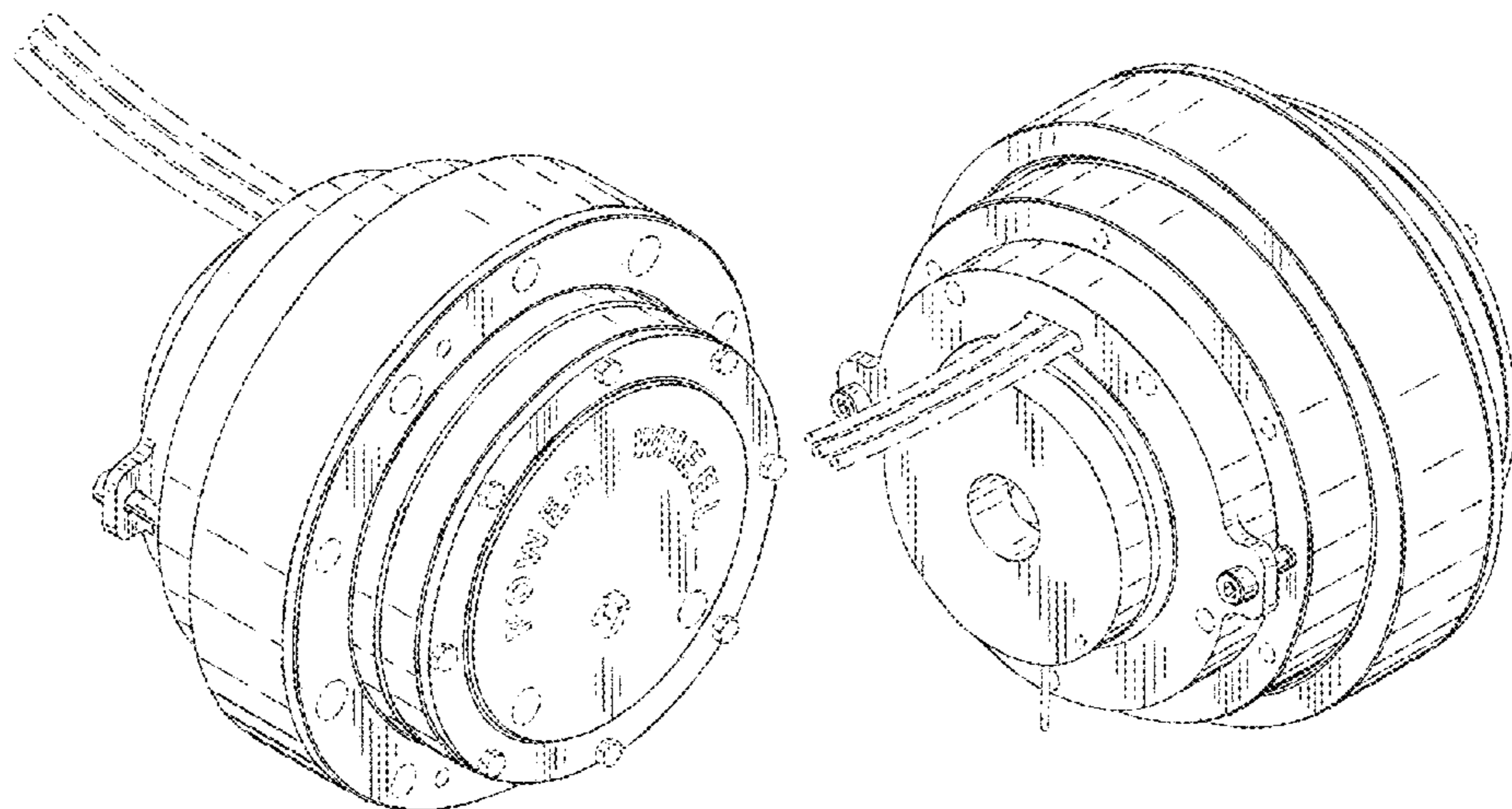
FIG. 7 is a bottom plan view thereof;

FIG. 8 is another perspective view of the combined electric motor and planetary transmission of FIG. 2, shown with a wheel attached thereto; and,

FIG. 9 is another perspective view of the combined electric motor and planetary transmission of FIG. 1, shown with a wheel attached thereto.

Unclaimed subject matter is shown in broken lines for the purpose of illustrating the environment in which the article embodying the design is used and forms no part of the claimed design.

1 Claim, 8 Drawing Sheets



(56)

References Cited

U.S. PATENT DOCUMENTS

8,950,565 B2 * 2/2015 Adams F16D 41/105
192/12 B
D740,867 S * 10/2015 Barta D15/148
D753,743 S * 4/2016 Takahashi D15/149
D753,744 S * 4/2016 Takahashi D15/149
D781,943 S * 3/2017 Ries D15/148
2007/0295557 A1 12/2007 Aldridge
2008/0230284 A1 9/2008 Schoon
2008/0230289 A1 9/2008 Schoon
2009/0312134 A1 12/2009 Schoon

* cited by examiner

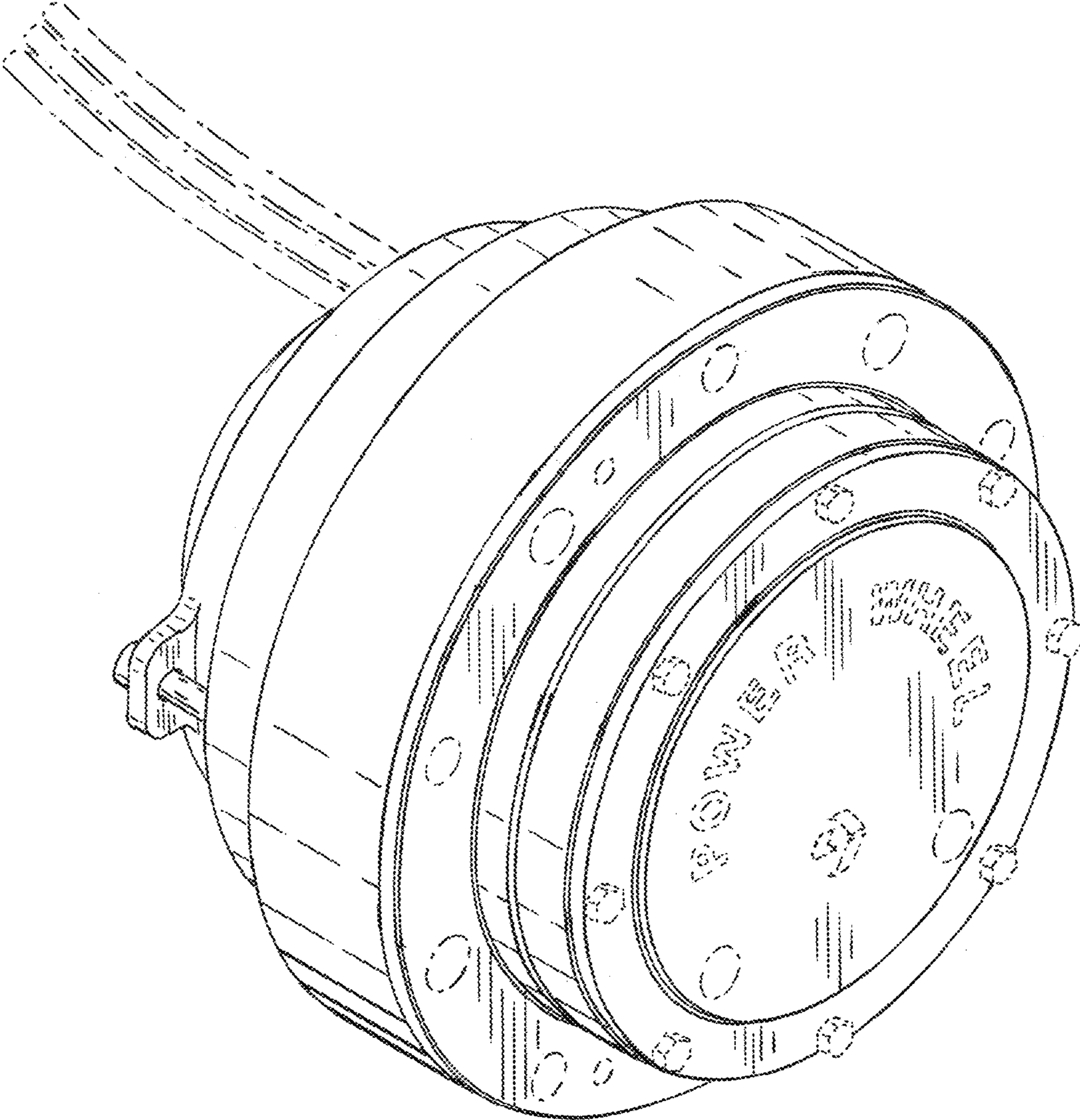


FIG. 1

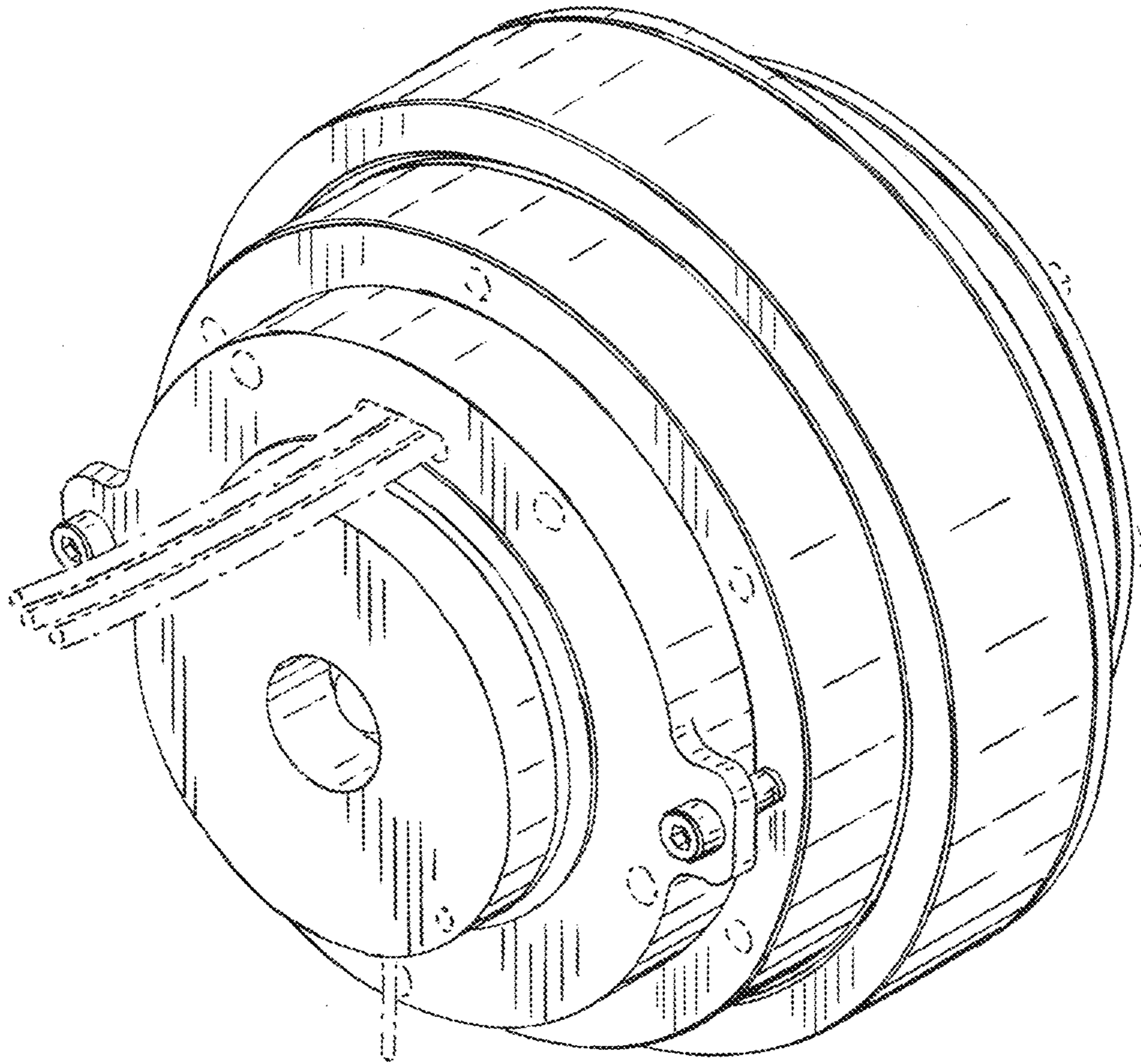


FIG. 2

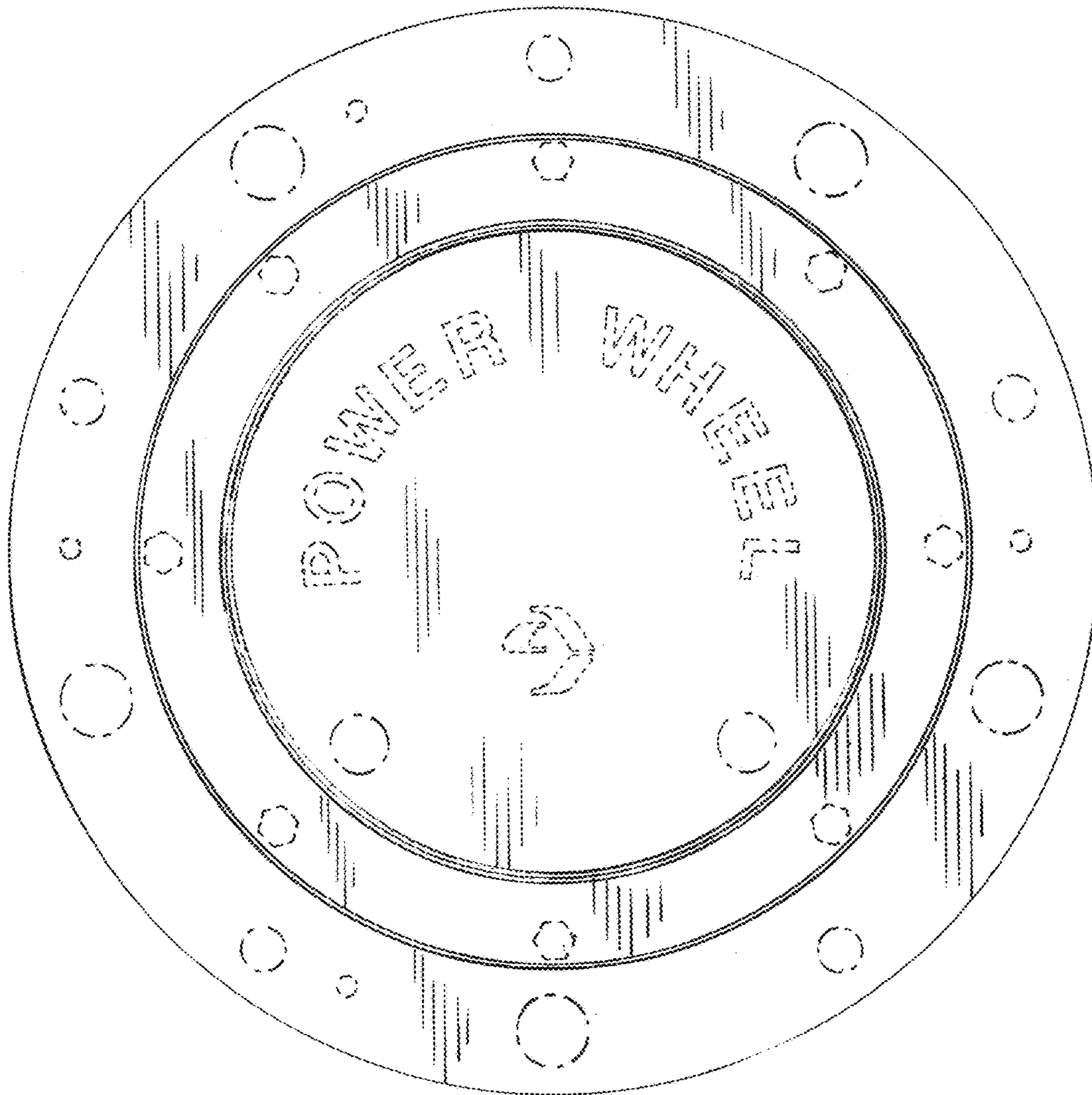


FIG. 3

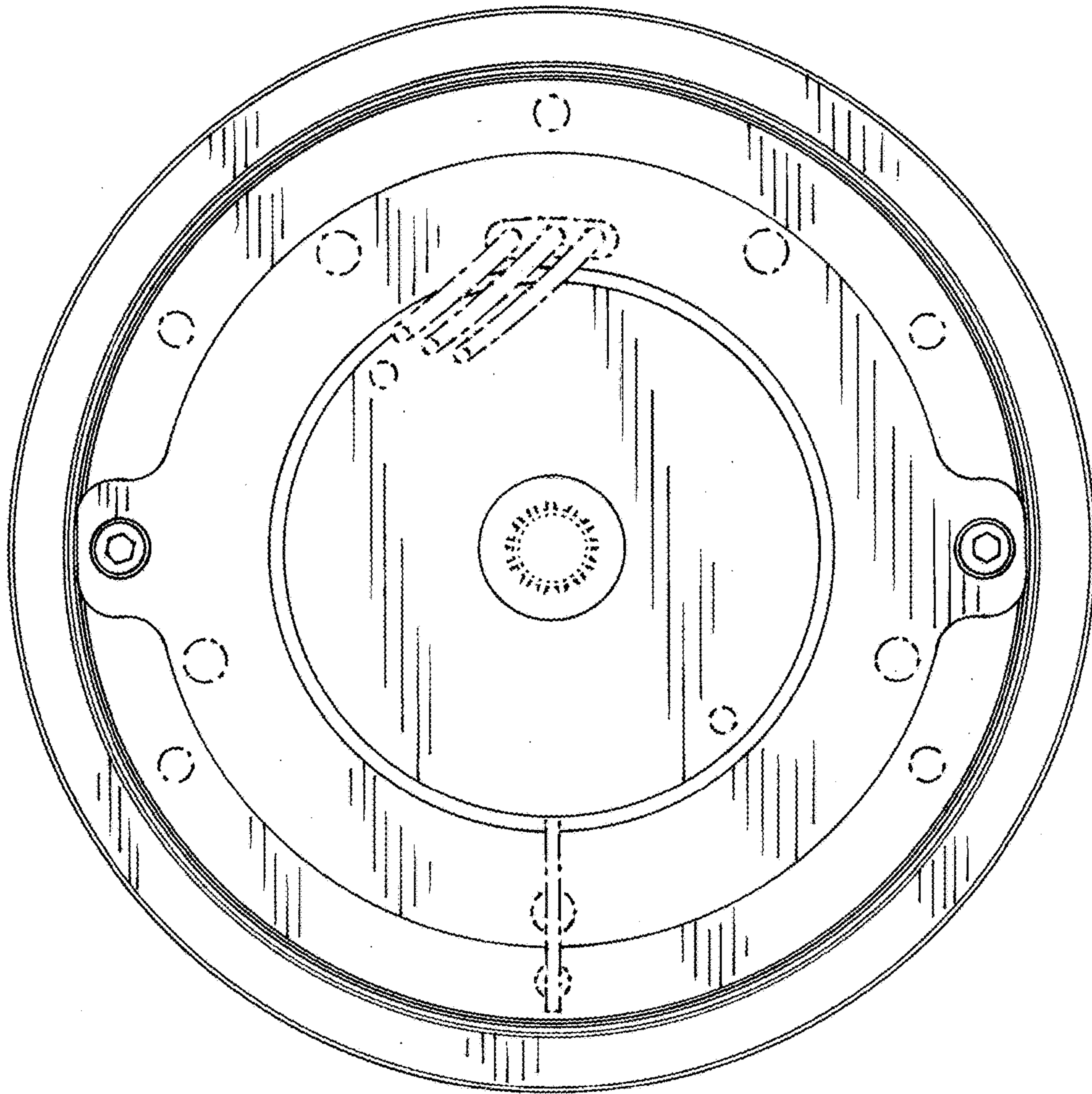


FIG. 4

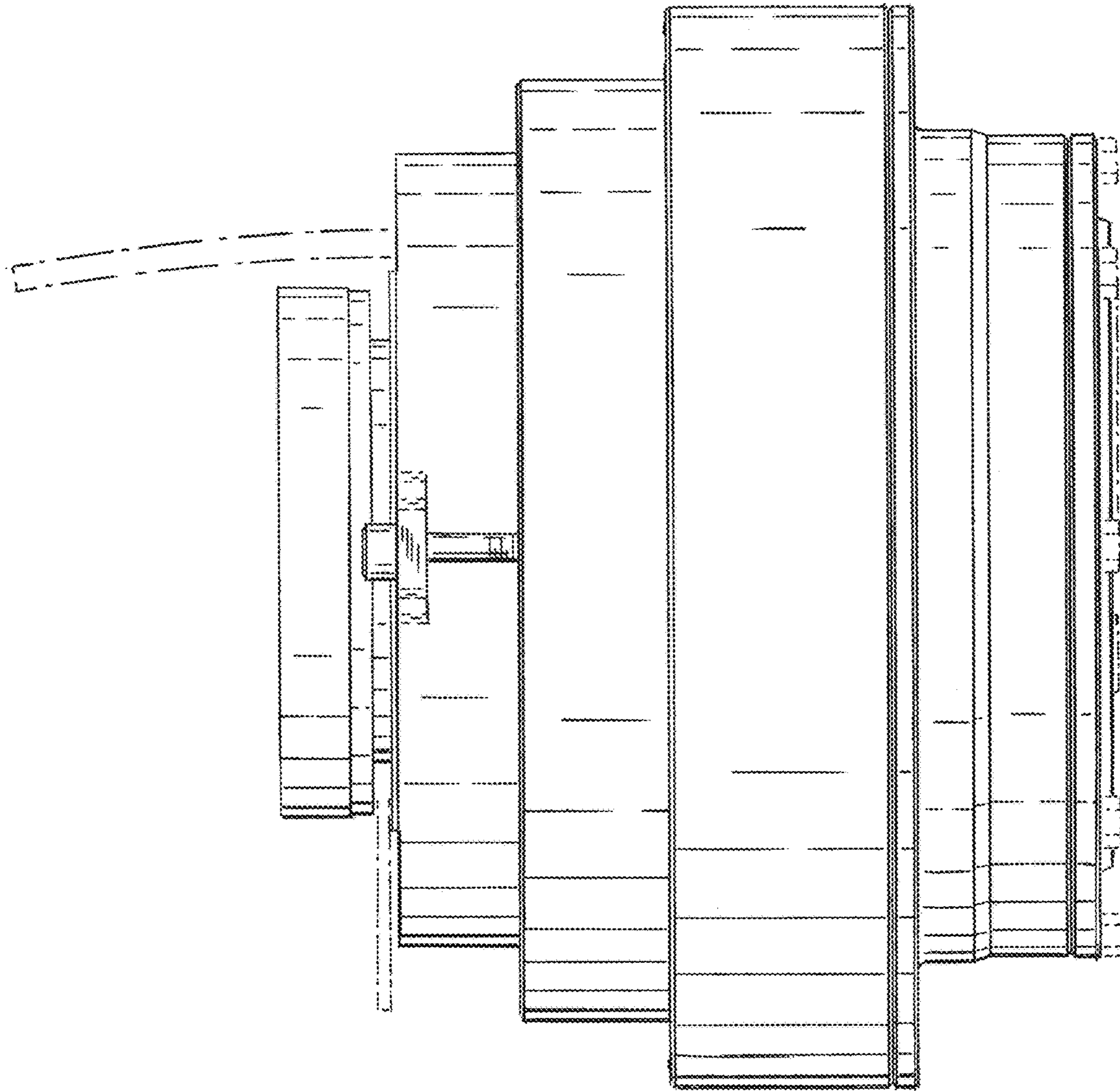


FIG. 5

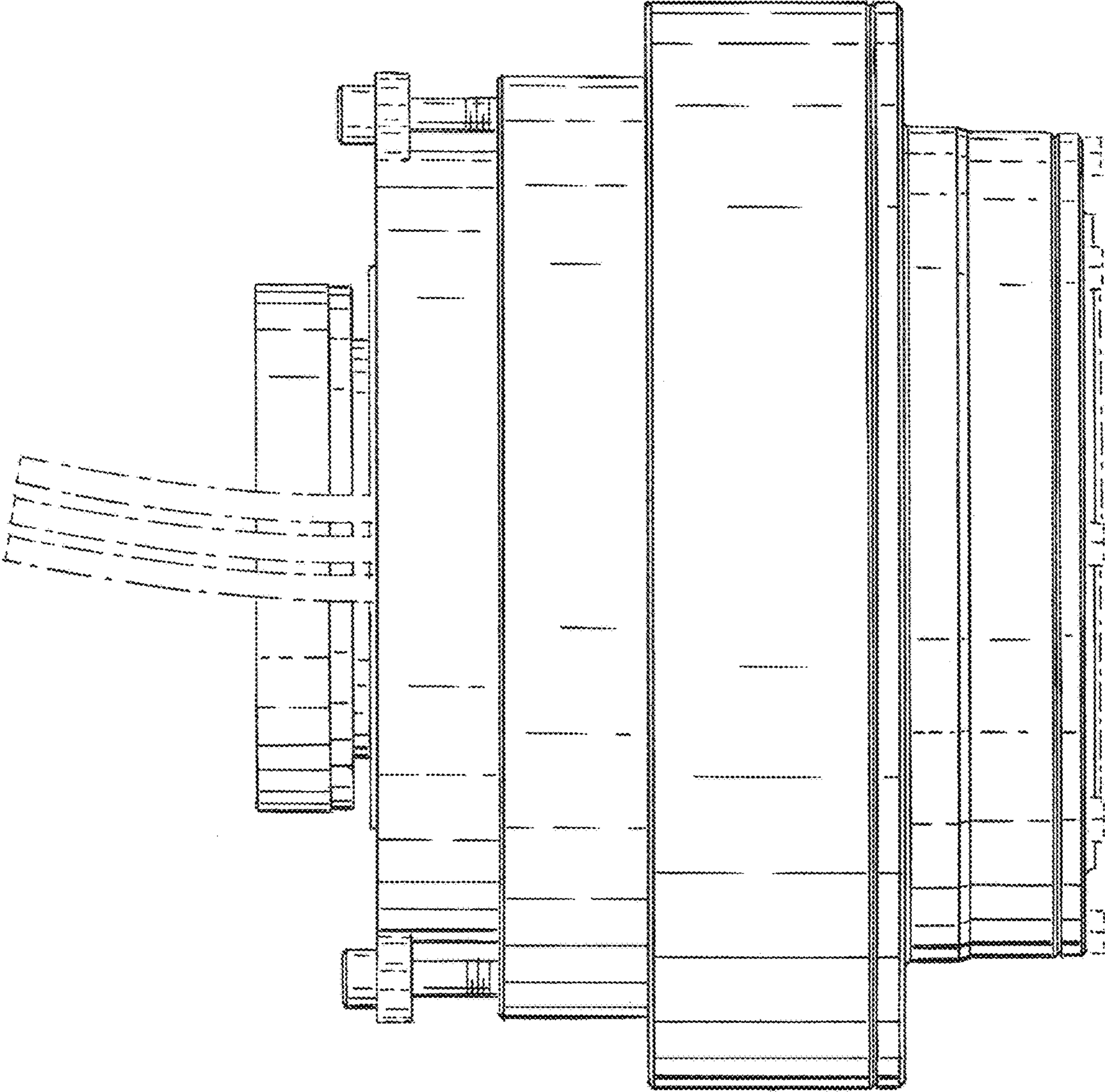


FIG. 6

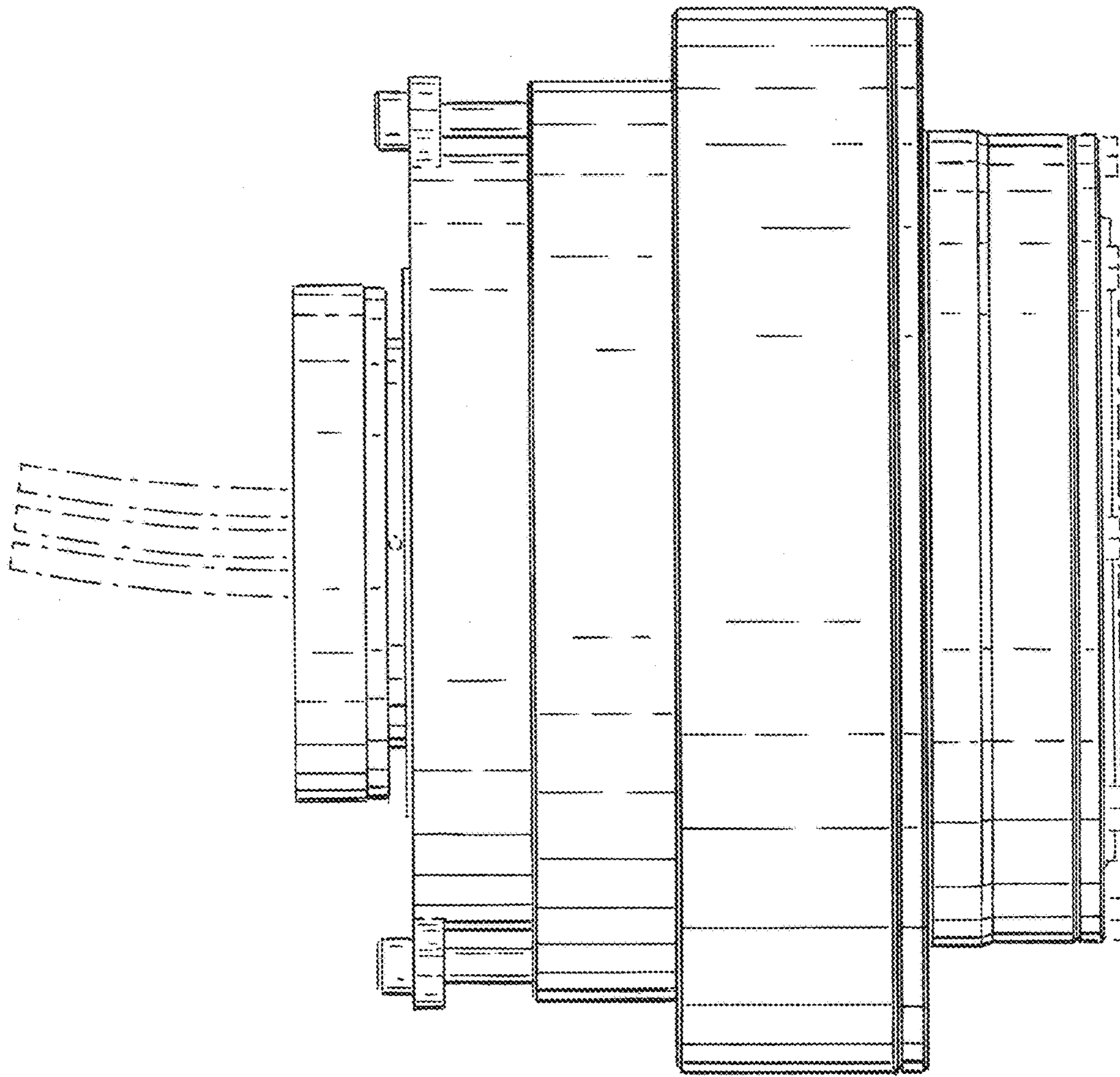


FIG. 7

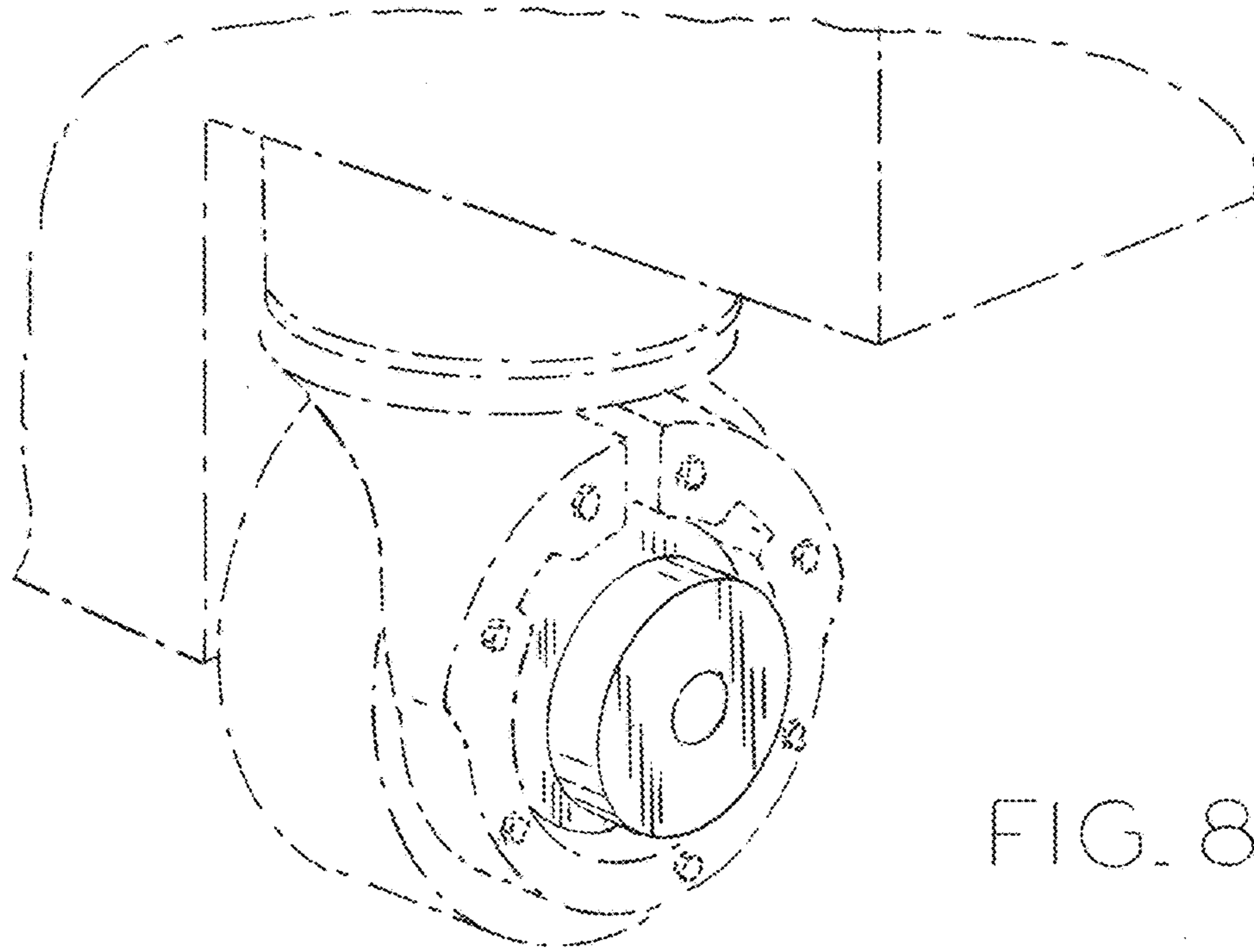


FIG. 8

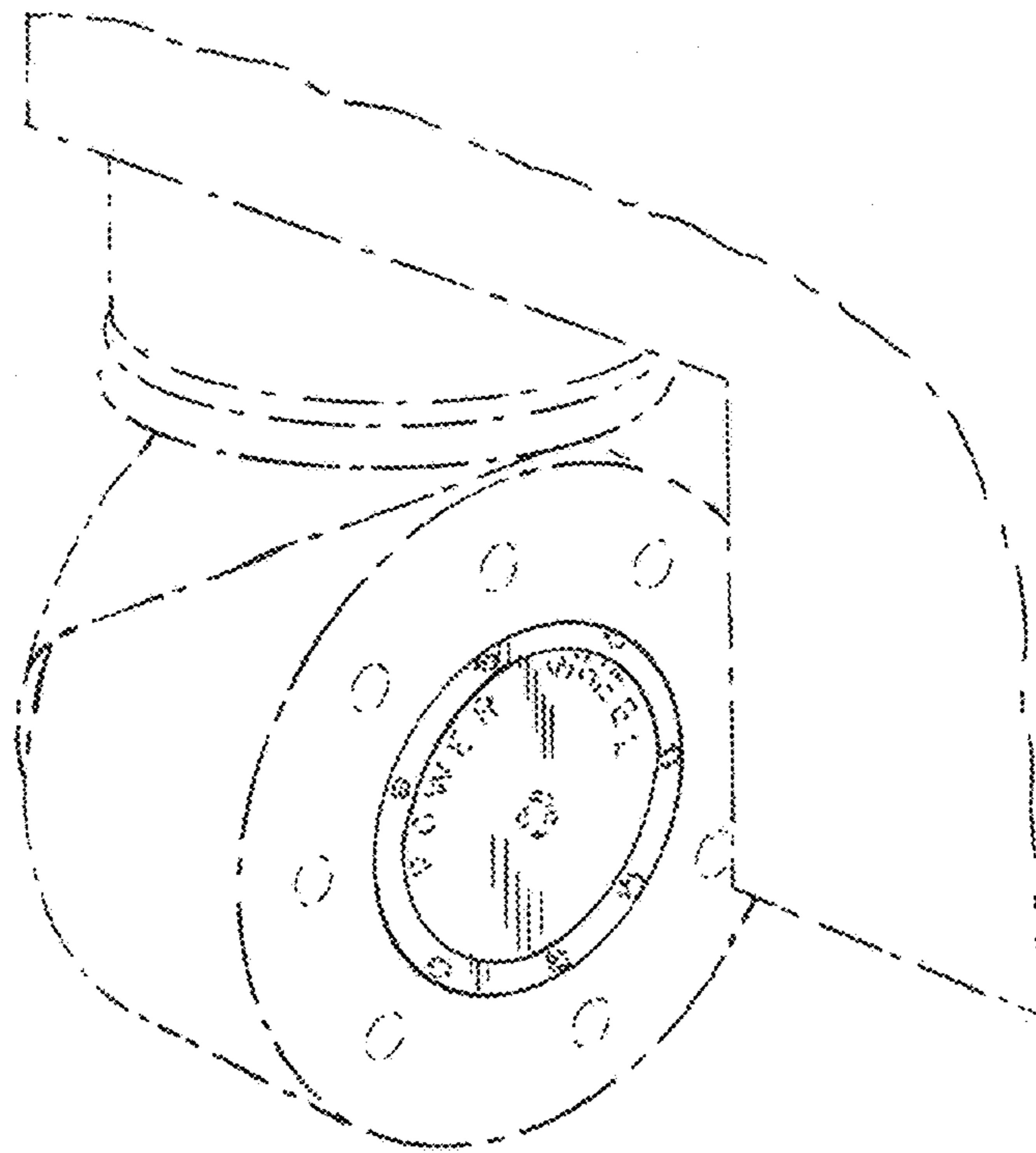


FIG. 9