



US00D800197S

(12) **United States Design Patent**  
**Hannet**

(10) **Patent No.:** **US D800,197 S**

(45) **Date of Patent:** **\*\* Oct. 17, 2017**

(54) **TRANSMISSION**

(71) Applicant: **SEW-EURODRIVE GmbH & Co. KG**, Bruchsal (DE)

(72) Inventor: **Stefan Hannet**, Brühl (DE)

(73) Assignee: **SEW-EURODRIVE GmbH & Co. KG**, Bruchsal (DE)

(\*\*) Term: **15 Years**

(21) Appl. No.: **29/547,966**

(22) Filed: **Dec. 9, 2015**

(30) **Foreign Application Priority Data**

Jun. 10, 2015 (DE) ..... 40 2015 201939

(51) **LOC (10) Cl.** ..... **15-09**

(52) **U.S. Cl.**  
USPC ..... **D15/149**

(58) **Field of Classification Search**  
USPC ..... D12/122-127; D15/148, 149  
CPC ..... B62M 1/105; F16D 11/14; F16H 3/091;  
F16H 33/06; F16H 63/30; Y10T  
74/19647  
See application file for complete search history.

(56) **References Cited**

**U.S. PATENT DOCUMENTS**

D529,527 S \* 10/2006 Kinoshita ..... D15/148  
D533,204 S \* 12/2006 Kinoshita ..... D15/149

D604,347 S \* 11/2009 Wittenstein ..... D15/149  
D682,902 S \* 5/2013 Tanaka ..... D15/149  
8,950,565 B2 \* 2/2015 Adams ..... F16D 41/105  
192/12 B  
D740,867 S \* 10/2015 Barta ..... D15/148  
D753,743 S \* 4/2016 Takahashi ..... D15/149  
D753,744 S \* 4/2016 Takahashi ..... D15/149  
D781,943 S \* 3/2017 Ries ..... D15/148

\* cited by examiner

*Primary Examiner* — Patricia Palasik

(74) *Attorney, Agent, or Firm* — Finnegan, Henderson, Farabow, Garrett & Dunner, L.L.P.

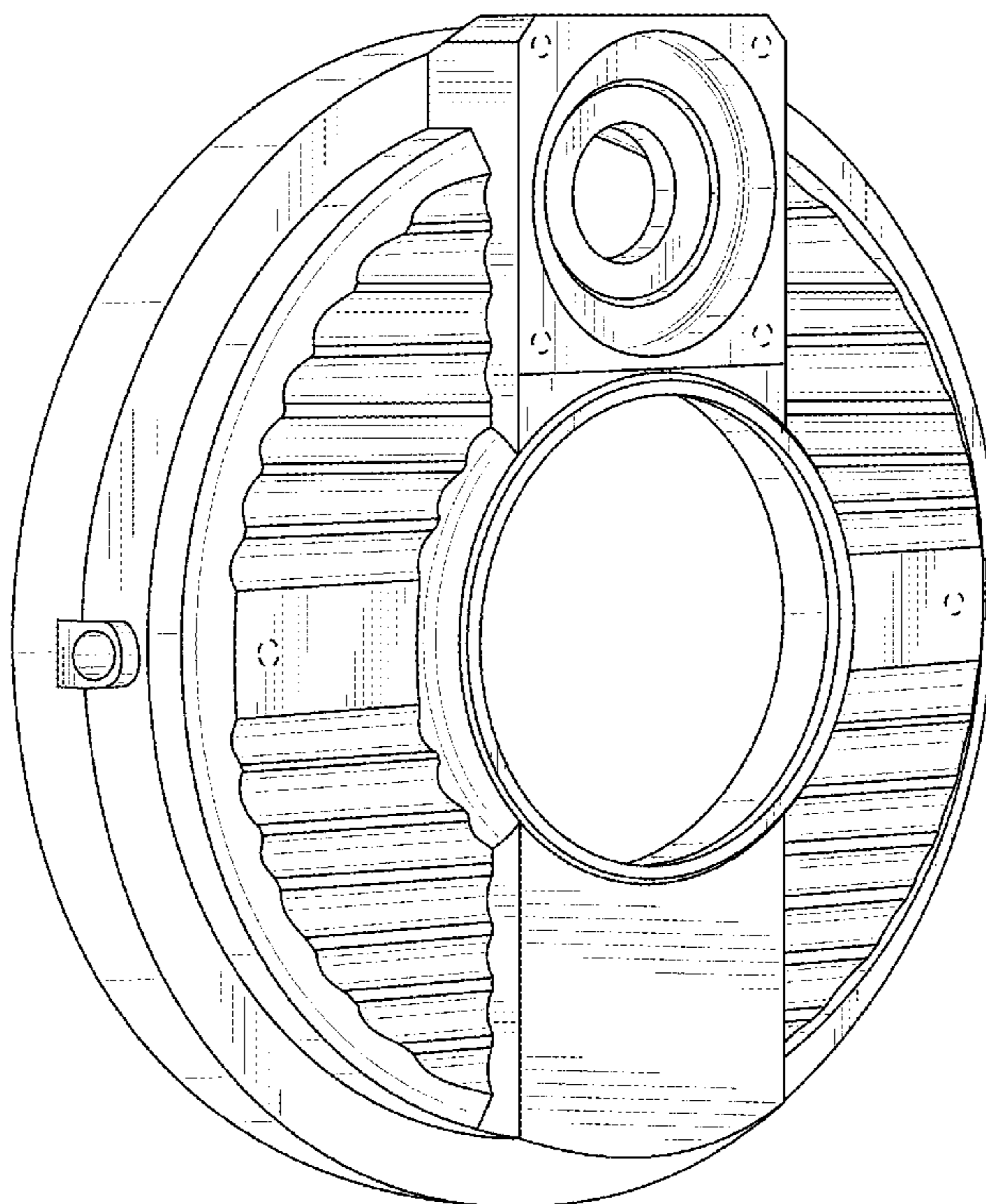
(57) **CLAIM**

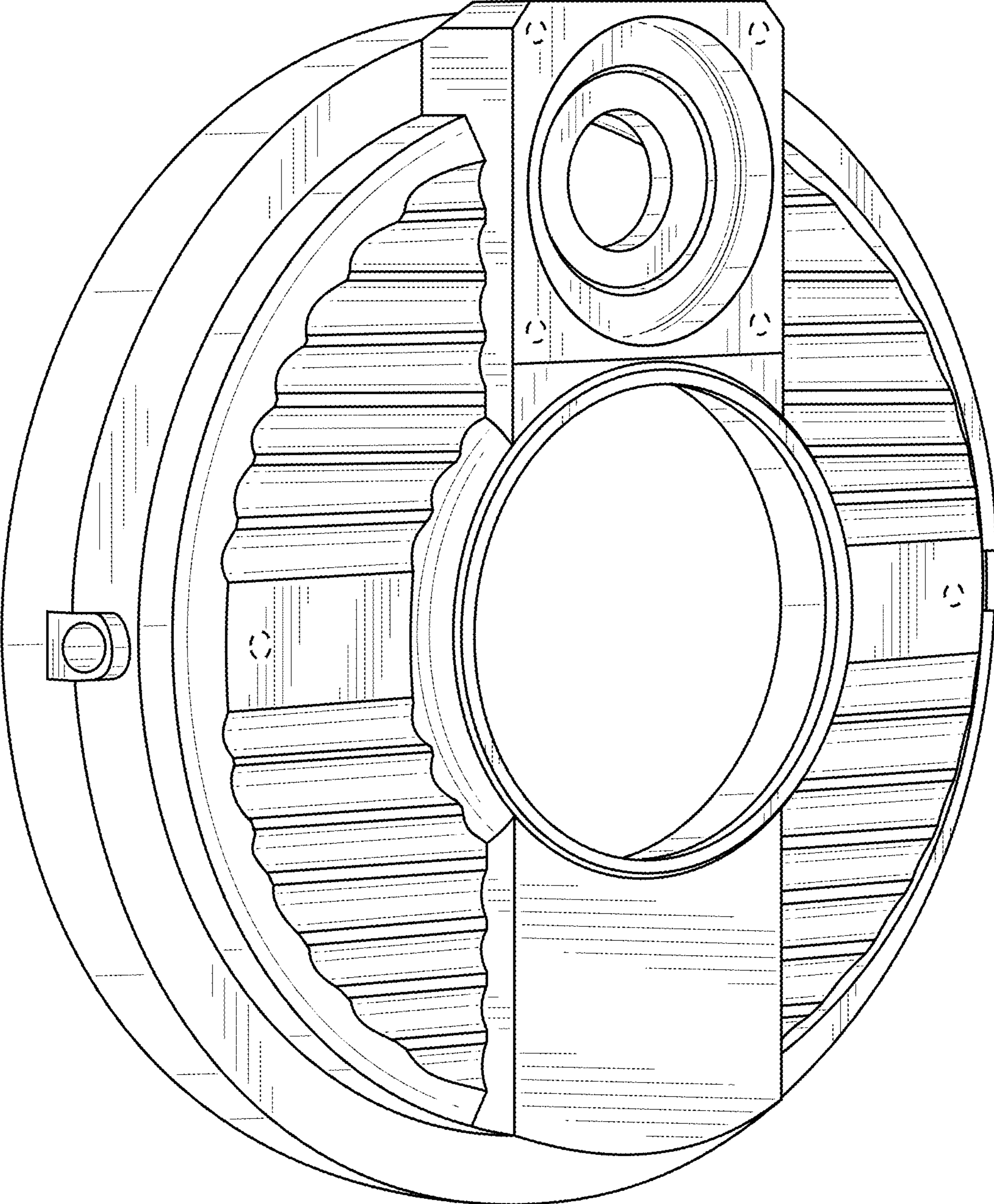
The ornamental design for transmission, as shown and described.

**DESCRIPTION**

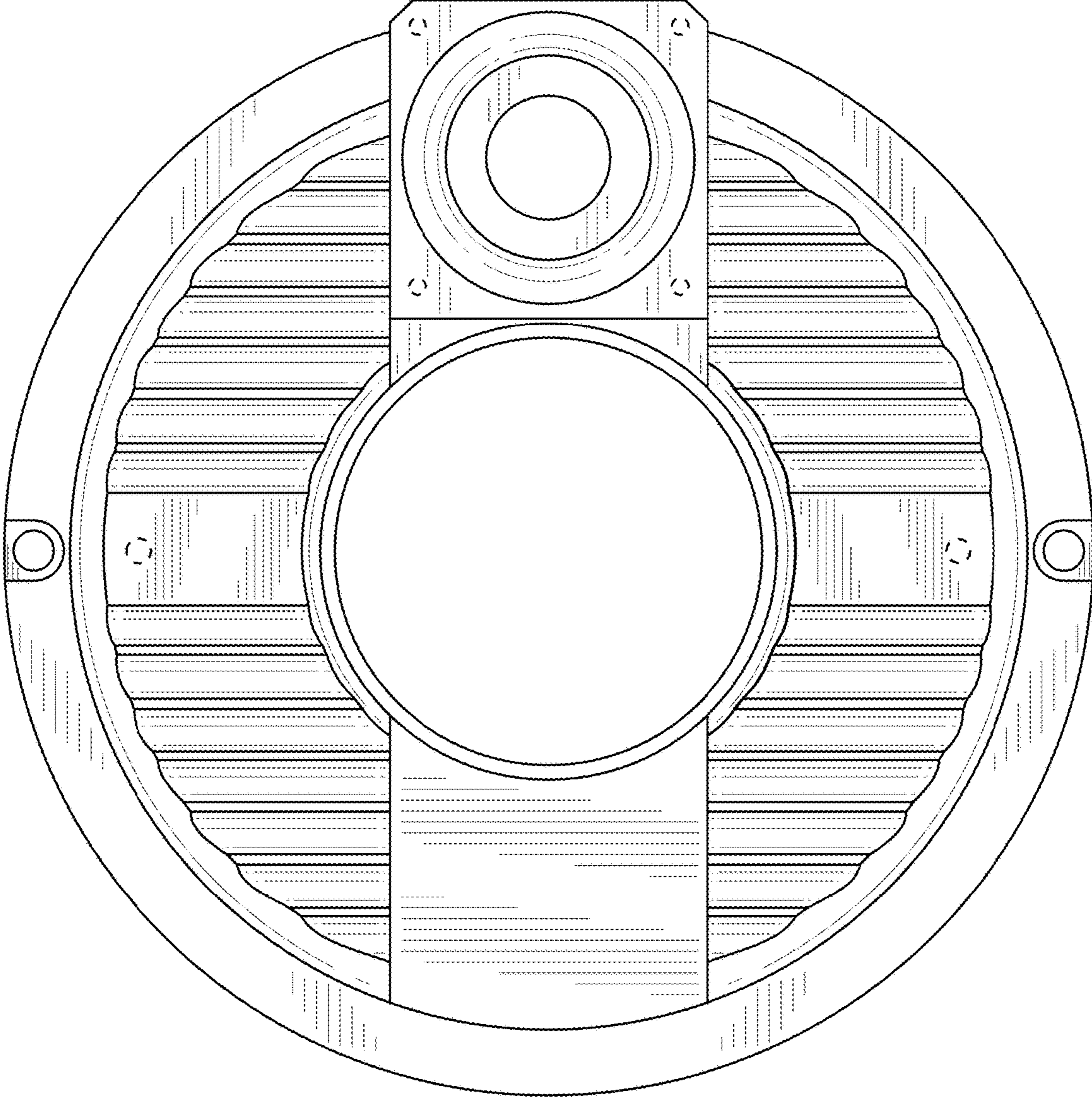
FIG. 1 is a front perspective view of a transmission, showing my new design;  
FIG. 2 is a front elevation view thereof;  
FIG. 3 is a rear elevation view thereof;  
FIG. 4 is a right side view thereof;  
FIG. 5 is a left side view thereof;  
FIG. 6 is a top view thereof; and,  
FIG. 7 is a bottom view thereof.  
The broken lines in the drawings depict unclaimed environmental subject matter.

**1 Claim, 7 Drawing Sheets**

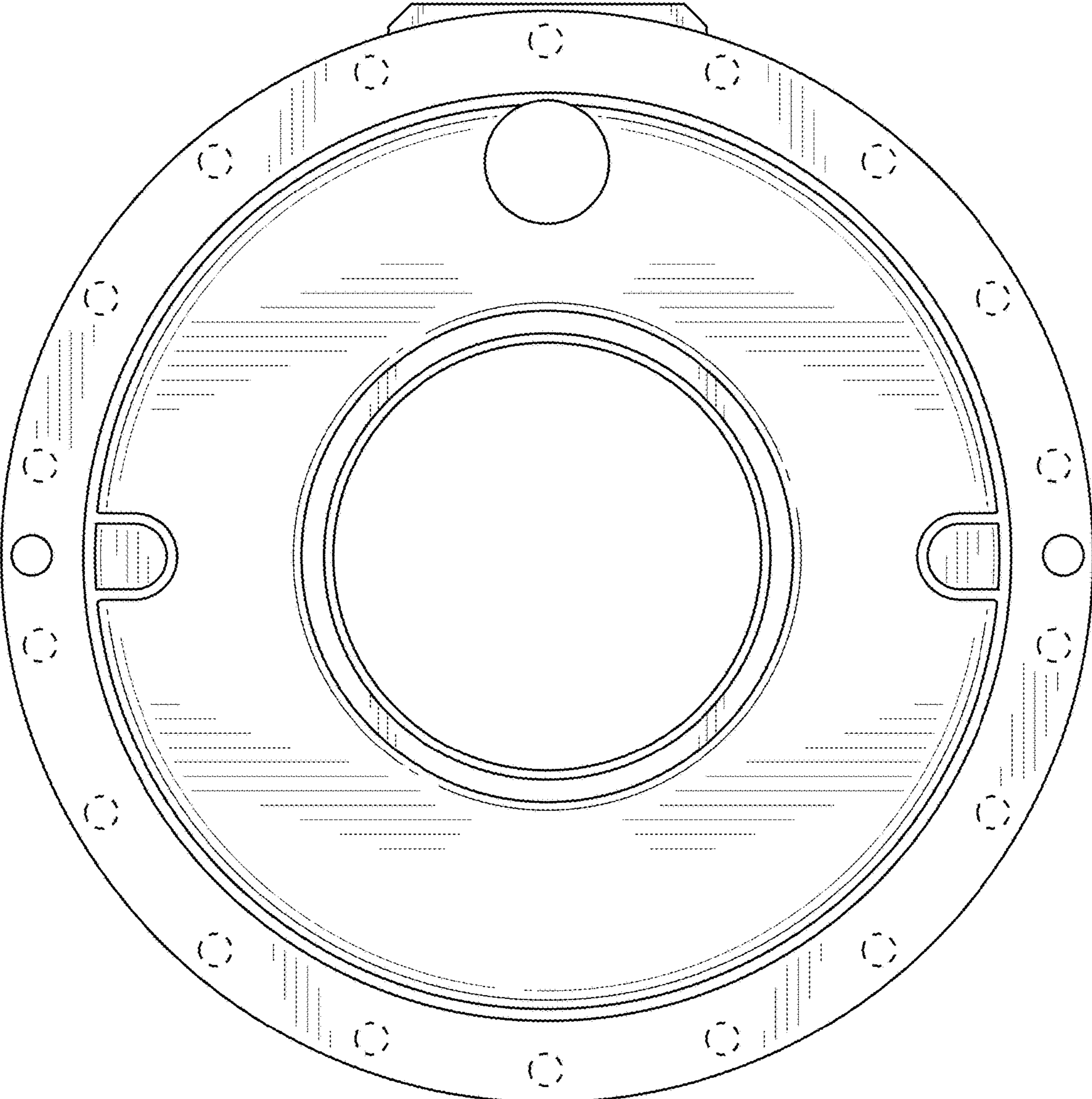




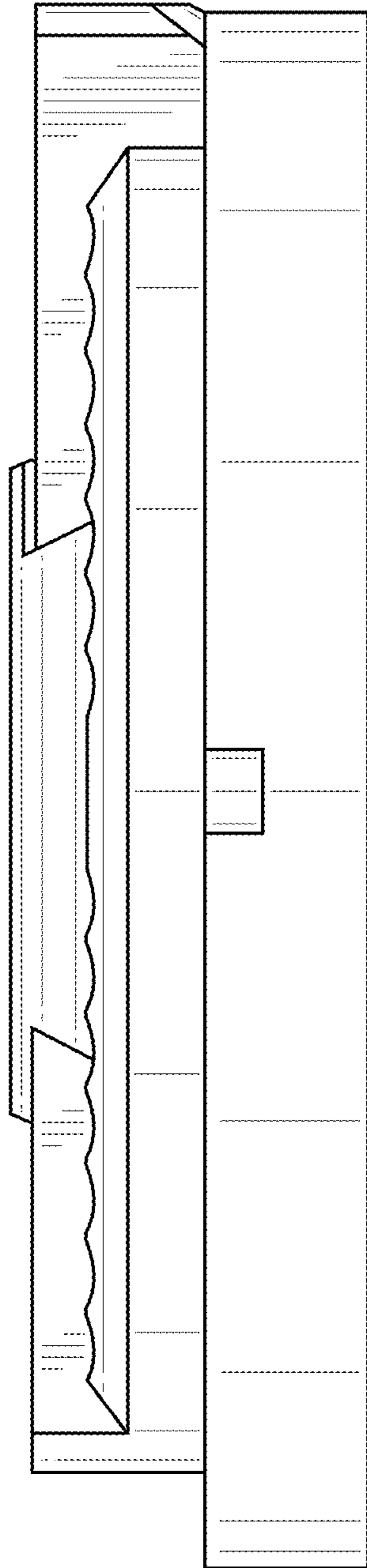
**FIG. 1**



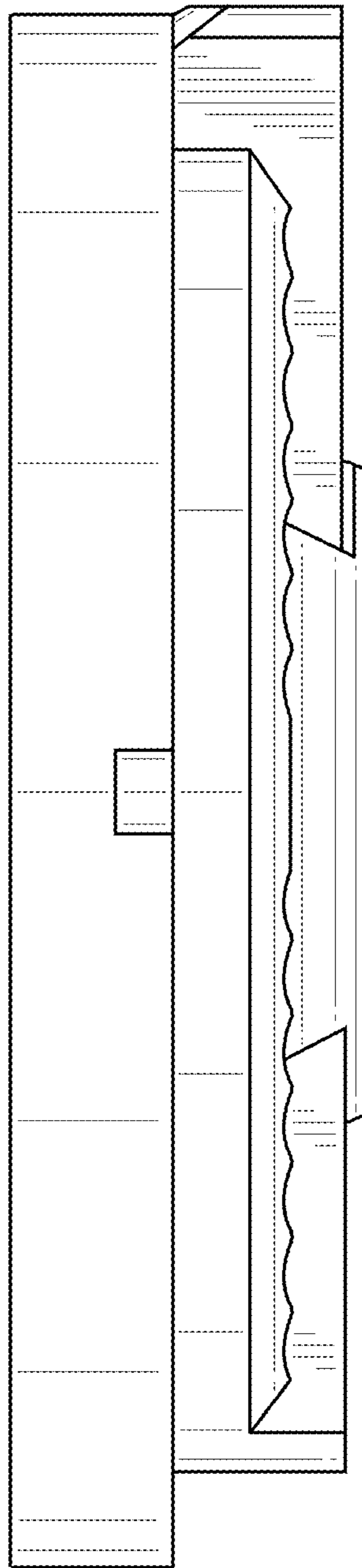
**FIG. 2**



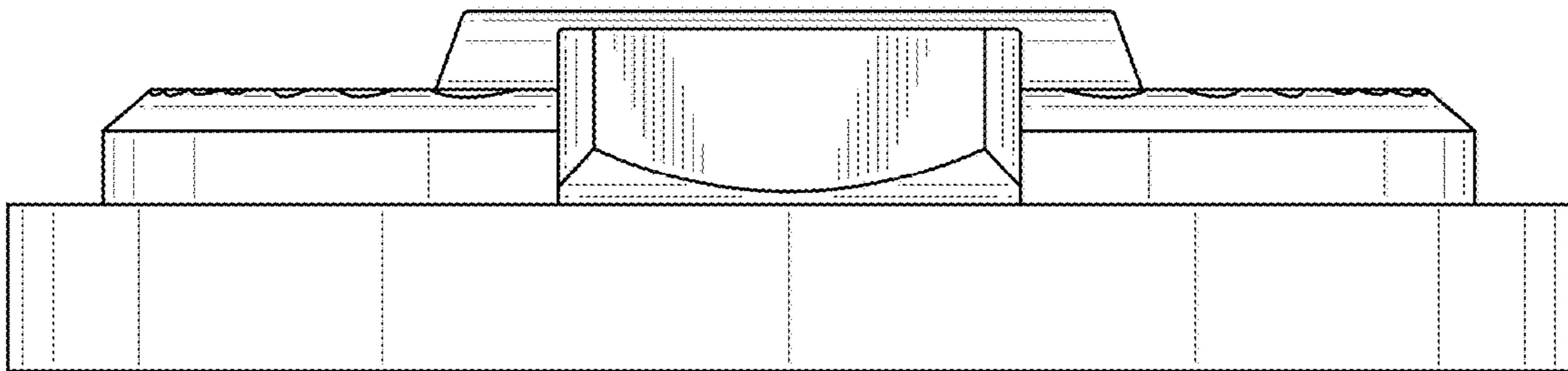
**FIG. 3**



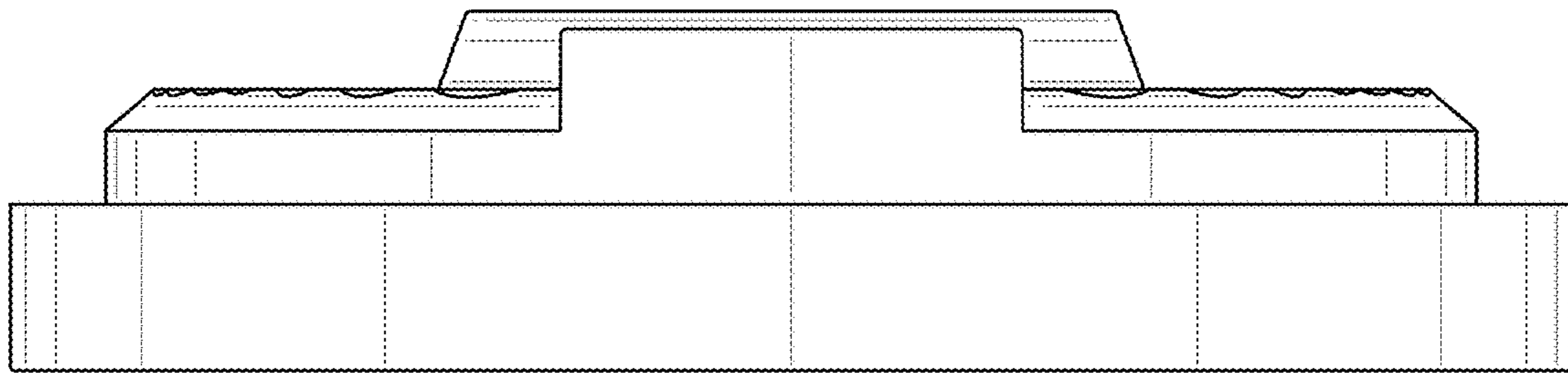
**FIG. 4**



**FIG. 5**



**FIG. 6**



**FIG. 7**