



US00D800196S

(12) **United States Design Patent**
Hannet

(10) **Patent No.:** **US D800,196 S**

(45) **Date of Patent:** **** Oct. 17, 2017**

- (54) **TRANSMISSION**
- (71) Applicant: **SEW-EURODRIVE GmbH & Co. KG, Bruchsal (DE)**
- (72) Inventor: **Stefan Hannet, Brühl (DE)**
- (73) Assignee: **SEW-EURODRIVE GmbH & Co. KG, Bruchsal (DE)**
- (**) Term: **15 Years**
- (21) Appl. No.: **29/547,955**
- (22) Filed: **Dec. 9, 2015**
- (30) **Foreign Application Priority Data**
 Jun. 10, 2015 (DE) 40 2015 201 939
- (51) **LOC (10) Cl.** **15-09**
- (52) **U.S. Cl.**
USPC **D15/149**
- (58) **Field of Classification Search**
USPC D12/122-127; D15/148, 149
CPC B62M 1/105; F16D 11/14; F16H 3/091;
F16H 33/06; F16H 63/30; Y10T
74/19647
See application file for complete search history.

- (56) **References Cited**
U.S. PATENT DOCUMENTS
 D497,374 S * 10/2004 Wittenstein D15/148
 D529,527 S * 10/2006 Kinoshita D15/148
 D533,204 S * 12/2006 Kinoshita D15/149
 D604,347 S * 11/2009 Wittenstein D15/149
 8,950,565 B2 * 2/2015 Adams F16D 41/105
 192/12 B
 2004/0166986 A1 * 8/2004 Bayer F16H 1/28
 475/331

- 2006/0096412 A1 * 5/2006 Wittenstein F16H 1/28
74/606 R
- 2008/0182693 A1 * 7/2008 Holmes B60K 6/387
475/5
- 2013/0233668 A1 * 9/2013 Binder F16D 23/06
192/69.7
- 2013/0277164 A1 * 10/2013 Prout F16D 25/061
192/69.9
- 2013/0327171 A1 * 12/2013 Shu F16H 63/30
74/337.5
- 2015/0300418 A1 * 10/2015 Averill F16D 11/14
477/13
- 2016/0347412 A1 * 12/2016 Niki B62M 11/06
- 2017/0016489 A1 * 1/2017 Grosskopf F16D 23/12
- 2017/0051811 A1 * 2/2017 Takeuchi F16D 21/04
- 2017/0097072 A1 * 4/2017 Carames Jimenez .. B62M 1/105

* cited by examiner

Primary Examiner — Patricia Palasik
(74) *Attorney, Agent, or Firm* — Finnegan, Henderson, Farabow, Garrett & Dunner, L.L.P.

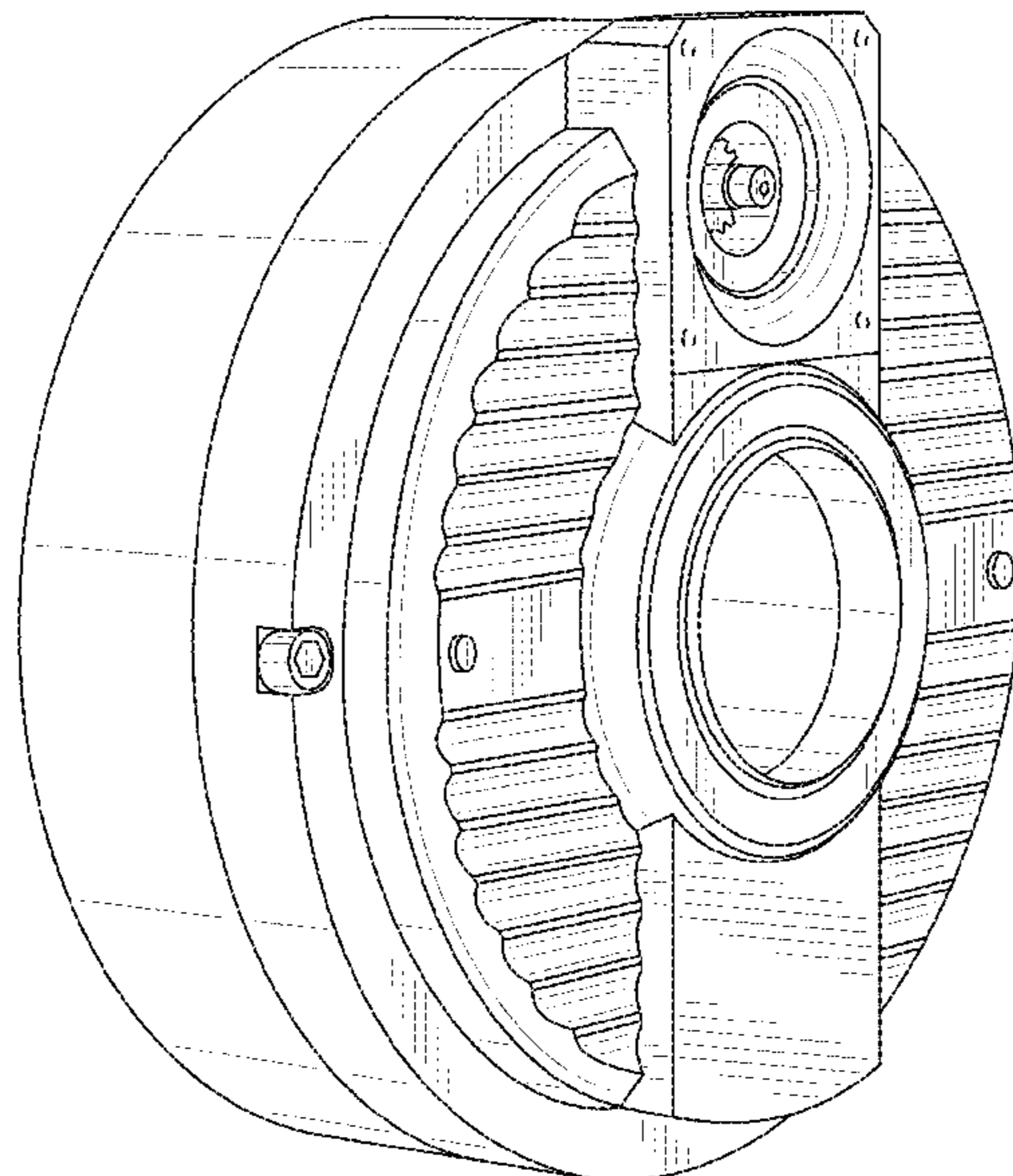
(57) **CLAIM**

The ornamental design for a transmission, as shown and described.

DESCRIPTION

FIG. 1 is a front perspective view of a transmission, showing my new design;
FIG. 2 is a front elevation view thereof;
FIG. 3 is a rear elevation view thereof;
FIG. 4 is a left side view thereof;
FIG. 5 is a right side view thereof; and,
FIG. 6 is a top view thereof.
The bottom view is not shown and forms no part of my claimed design.
The broken lines in the drawings depict unclaimed environmental subject matter.

1 Claim, 6 Drawing Sheets



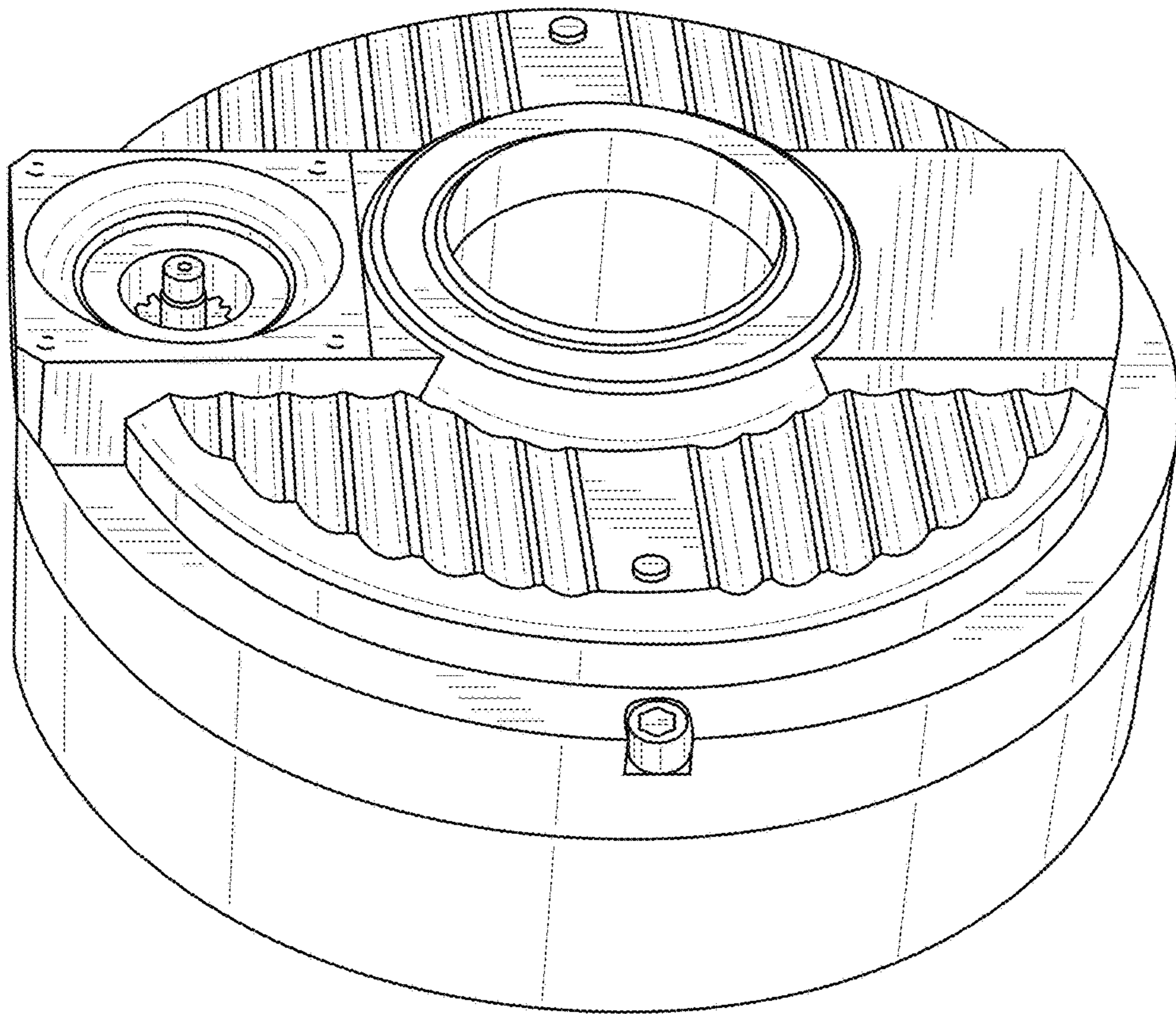


FIG. 1

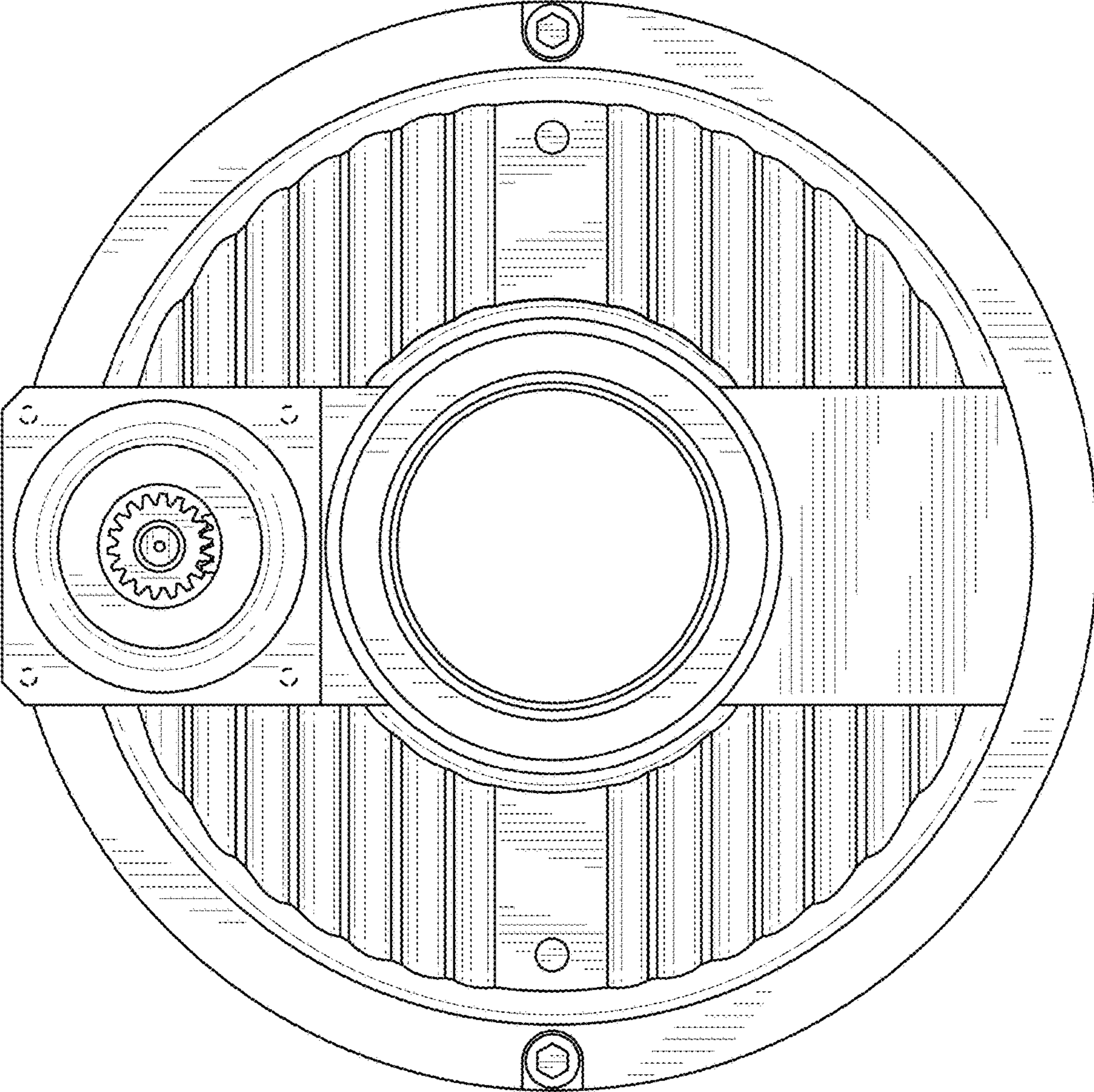


FIG. 2

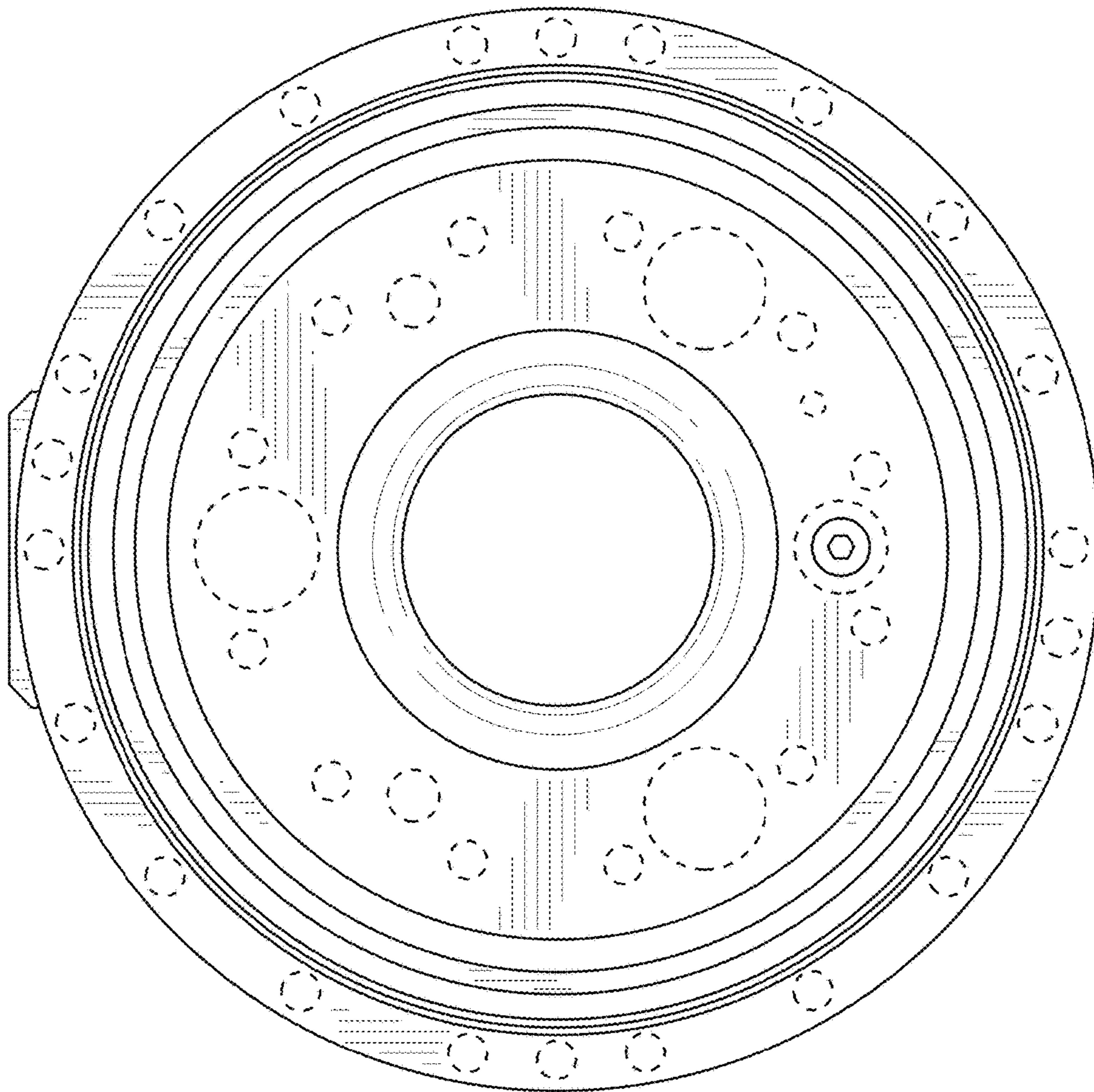


FIG. 3

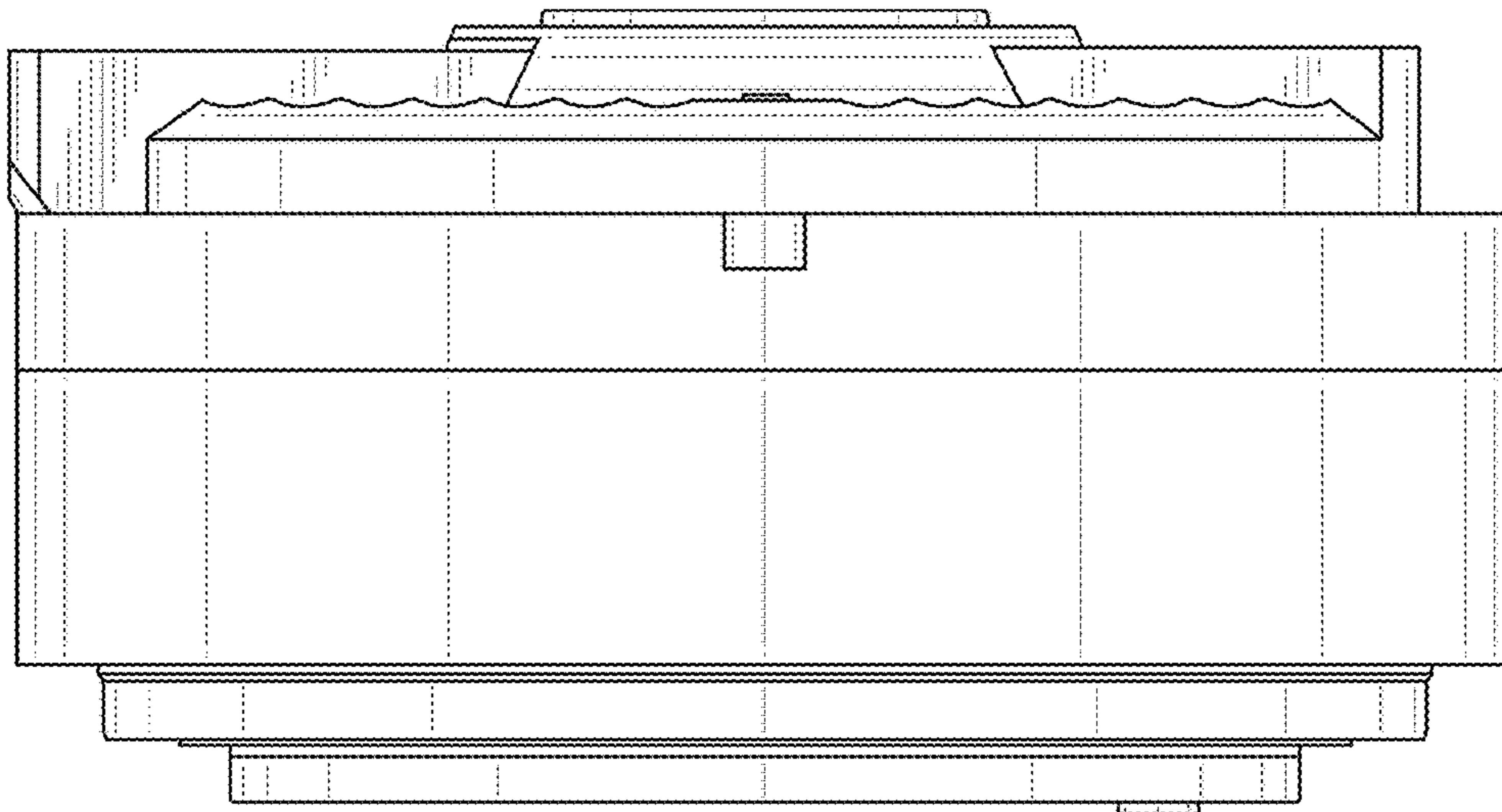


FIG. 4

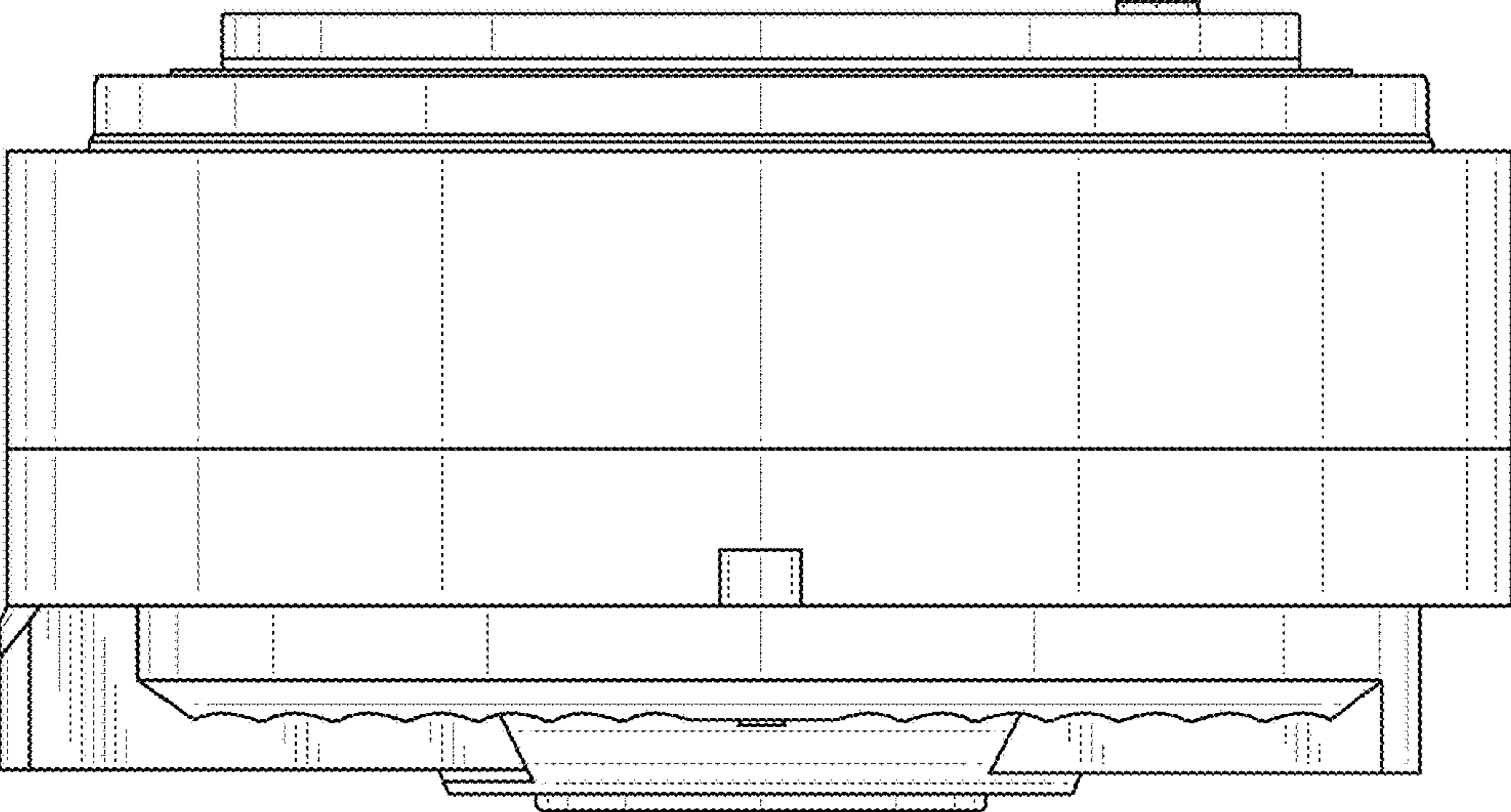


FIG. 5

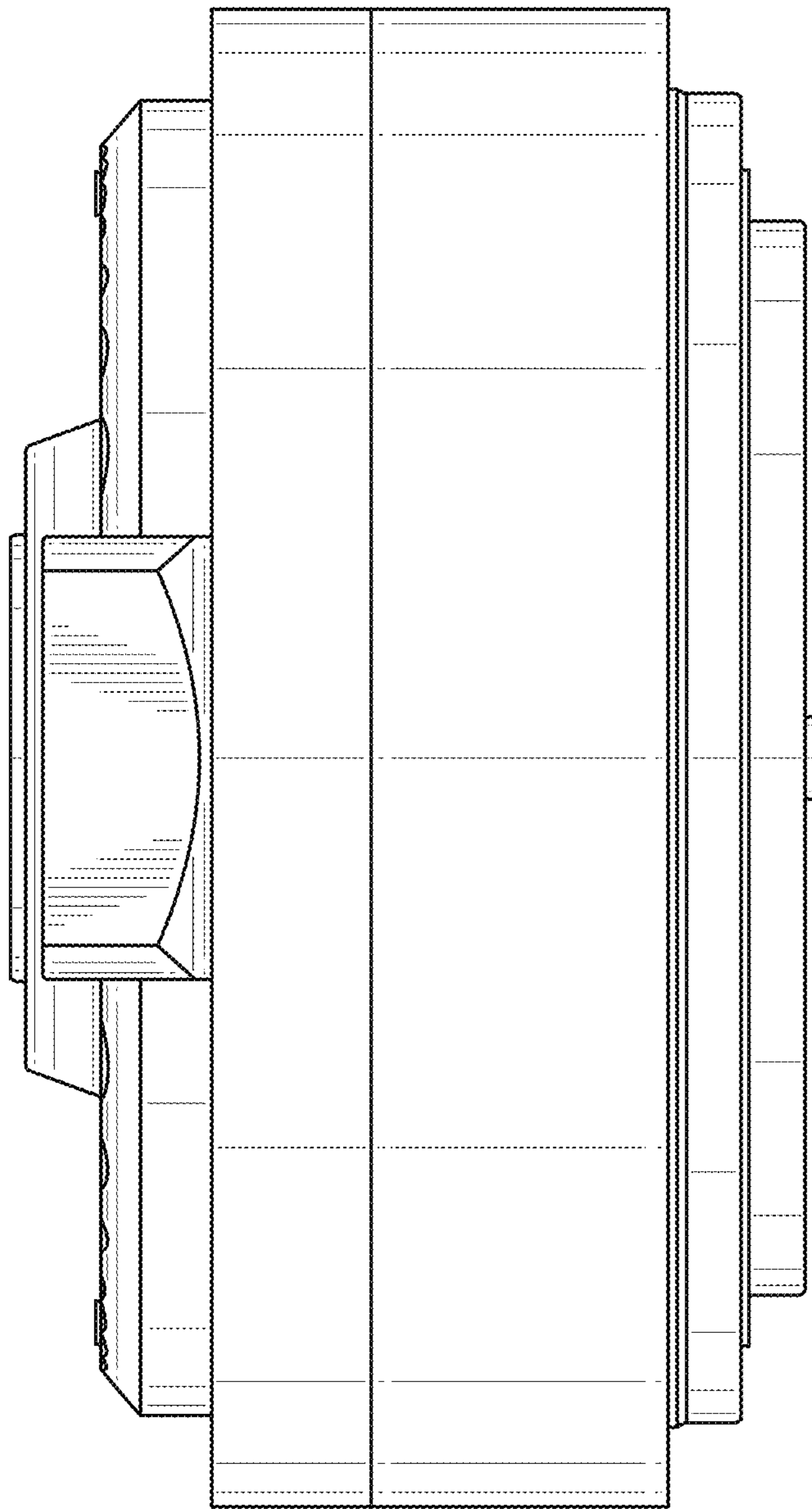


FIG. 6