



US00D800191S

(12) **United States Design Patent** (10) **Patent No.:** **US D800,191 S**
Hynek et al. (45) **Date of Patent:** **** Oct. 17, 2017**

- (54) **LINEAR GUIDEWAY WITH A DRIVE**
- (71) Applicants: **Martin Hynek**, Plzen (CZ); **Antonin Max**, Plzen (CZ); **Jan Klepacek**, Line (CZ)
- (72) Inventors: **Martin Hynek**, Plzen (CZ); **Antonin Max**, Plzen (CZ); **Jan Klepacek**, Line (CZ)
- (73) Assignee: **ZAPADOCESKA UNIVERZITA V PLZNI**, Plzen (CZ)
- (**) Term: **15 Years**
- (21) Appl. No.: **29/565,839**
- (22) Filed: **May 25, 2016**
- (51) **LOC (10) Cl.** **15-09**
- (52) **U.S. Cl.**
USPC **D15/143**
- (58) **Field of Classification Search**
USPC D15/136, 143, 199, 7, 149, 5; D10/85, D10/46; D25/119; D26/138; 184/5, 184/105.3; 384/13, 45, 49, 51, 53, 55, 7
CPC .. F16C 29/005; F16C 29/0676; F16C 29/063; F16H 2025/2034; F28F 3/12; B23Q 5/34; E04F 11/1842
See application file for complete search history.

- (56) **References Cited**
U.S. PATENT DOCUMENTS
3,897,982 A * 8/1975 Teramachi B23Q 1/40 384/45
3,938,854 A * 2/1976 Teramachi B23Q 1/40 384/45
4,040,679 A * 8/1977 Teramachi B23Q 1/40 384/45
4,502,737 A * 3/1985 Osawa F16C 29/0607 384/45

- 5,131,125 A * 7/1992 Coron B23Q 1/58 198/346.1
- D351,848 S * 10/1994 Yamazaki D15/143
- 5,429,438 A * 7/1995 Wood F16C 29/02 384/26
- D363,297 S * 10/1995 Yoshikawa D15/143
- D373,963 S * 9/1996 Nagai D10/85
- 5,915,840 A * 6/1999 Zaguroli, Jr. F16C 29/005 384/53
- D489,829 S * 5/2004 Barnett D25/119
- D489,830 S * 5/2004 Barnett D25/119
- D554,164 S * 10/2007 Naruse D15/143
- 7,383,670 B1 * 6/2008 Meyers E04F 13/081 156/71
- D574,865 S * 8/2008 Cheng D10/46
- D587,733 S * 3/2009 Niedermeyer D15/143
- D599,387 S * 9/2009 Chuo D15/143
- D649,684 S * 11/2011 Trzesniowski D26/138
- D649,685 S * 11/2011 Trzesniowski D26/138
- D649,687 S * 11/2011 Trzesniowski D26/138
- D651,739 S * 1/2012 Trzesniowski D26/138

(Continued)

Primary Examiner — Caron D Veynar
Assistant Examiner — Katelin G Kloberg

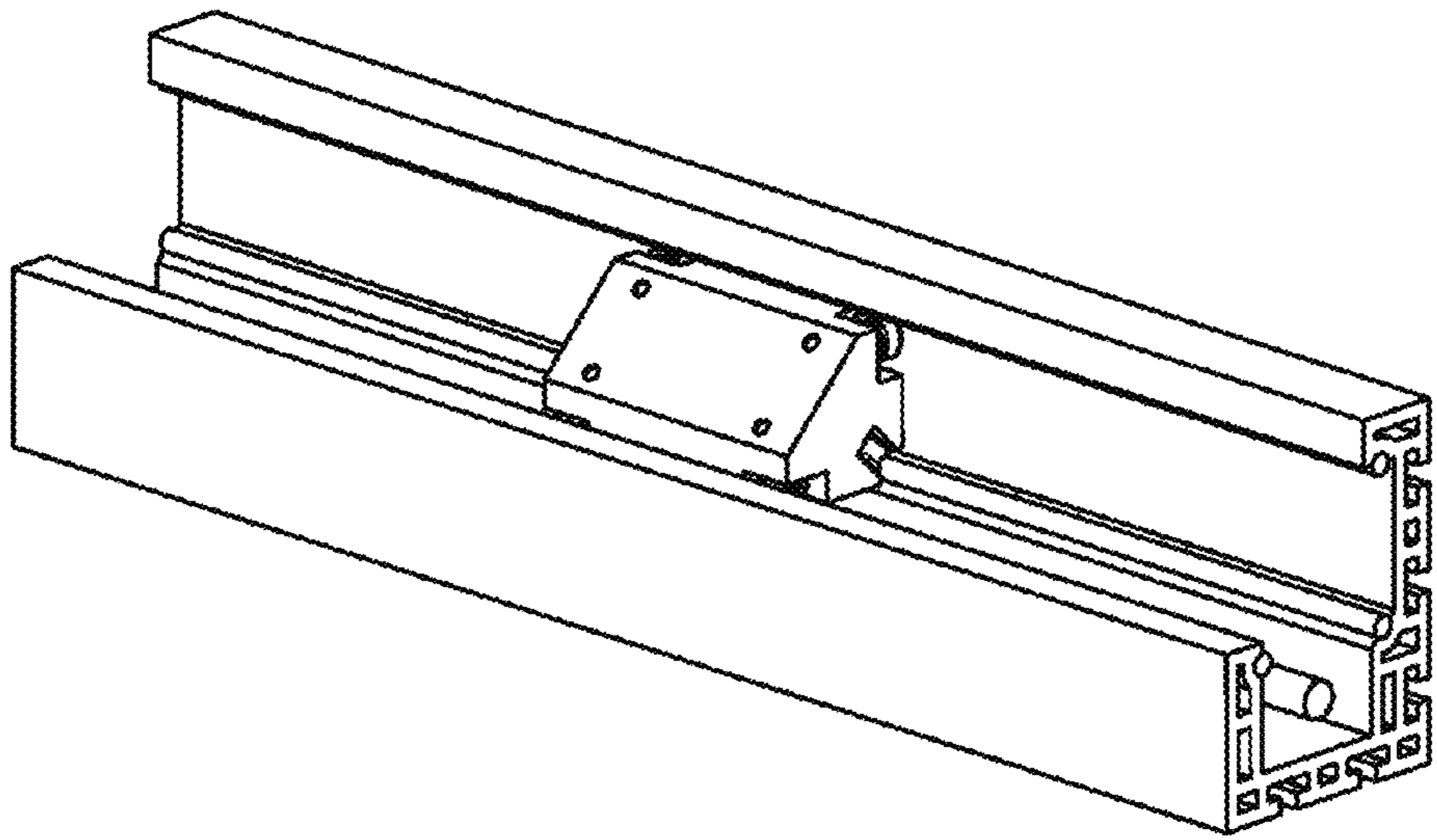
(57) **CLAIM**

The ornamental design for a linear guideway with a drive, as shown and described.

DESCRIPTION

FIG. 1 is a front elevational view of a linear guideway with a drive showing my new design;
FIG. 2 is a top plan view thereof;
FIG. 3 is a bottom plan view thereof;
FIG. 4 is a left side elevational view thereof; a right side elevational view is a mirror image of the left side elevational view;
FIG. 5 is a top, front, right perspective view thereof;
FIG. 6 is a bottom, rear, right perspective view thereof; and,
FIG. 7 is a right, front, top perspective view thereof.

1 Claim, 2 Drawing Sheets



(56)

References Cited

U.S. PATENT DOCUMENTS

D652,568 S *	1/2012	Trzesniowski	D26/138	2008/0149303 A1*	6/2008	Chang	H02K 41/03
D652,985 S *	1/2012	Trzesniowski	D26/138					165/80.2
D652,986 S *	1/2012	Trzesniowski	D26/138	2010/0040312 A1*	2/2010	Rudy	F16C 29/005
D657,406 S *	4/2012	Saito	D15/143					384/7
D664,169 S *	7/2012	Shirai	D15/143	2010/0092260 A1*	4/2010	Hohn	B23C 3/18
D665,123 S *	8/2012	Douglas	D26/138					409/132
D695,953 S *	12/2013	Klu	D26/138	2010/0162582 A1*	7/2010	Shiao	F16C 29/00
D695,955 S *	12/2013	Klus	D26/138					33/708
D704,238 S *	5/2014	Fukano	D15/143	2013/0193777 A1*	8/2013	Sommerhalter, Jr.	H02K 41/031
2005/0019545 A1*	1/2005	Riebel	C08L 3/02					310/12.02
				428/304.4	2013/0259409 A1*	10/2013	Tsao	F16C 33/6659
2005/0265639 A1*	12/2005	Bauer	B23Q 1/017					384/13
				384/45	2016/0073547 A1*	3/2016	Maloney	H05K 7/02
2007/0076989 A1*	4/2007	Matsumoto	F16C 29/0638					211/26
				384/45	2016/0108955 A1*	4/2016	Kuo	F16C 29/0638
									384/55

* cited by examiner

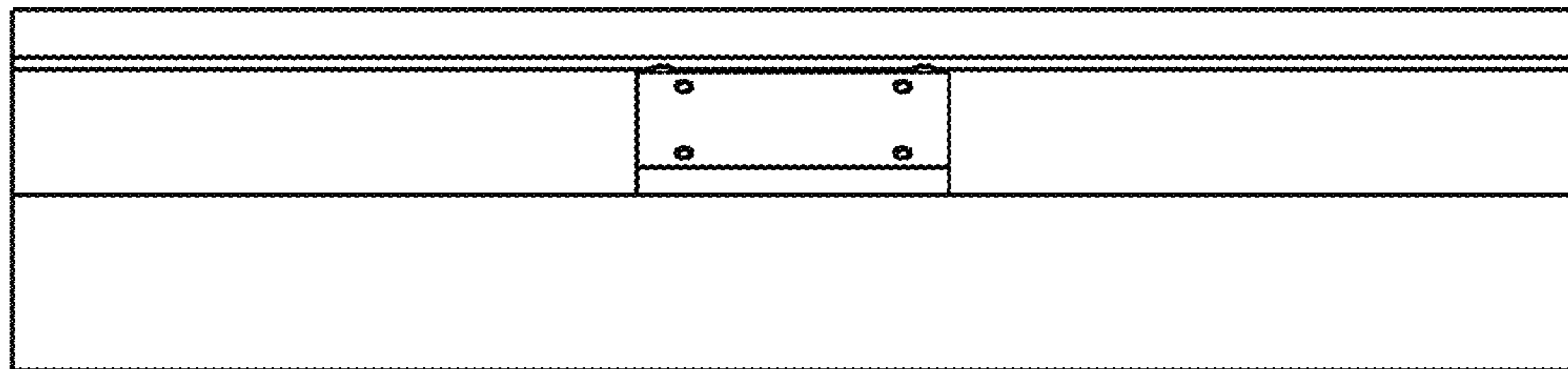


FIG. 1

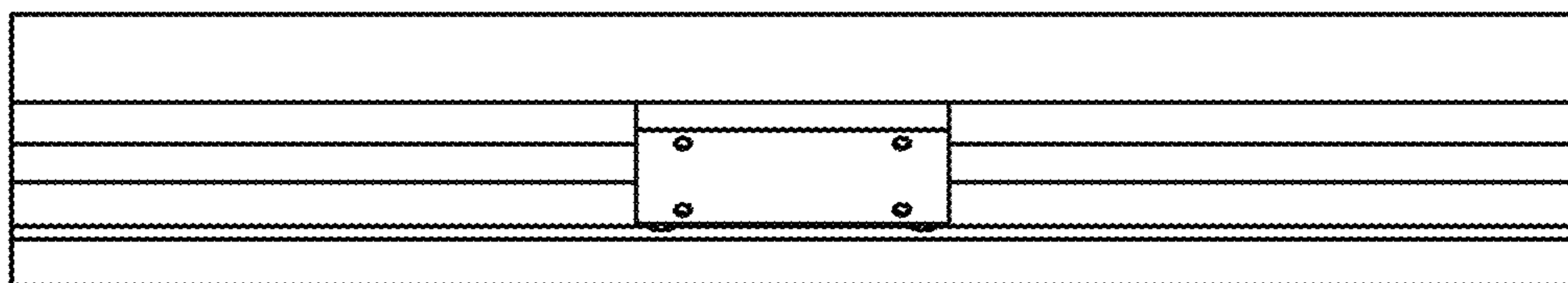


FIG. 2

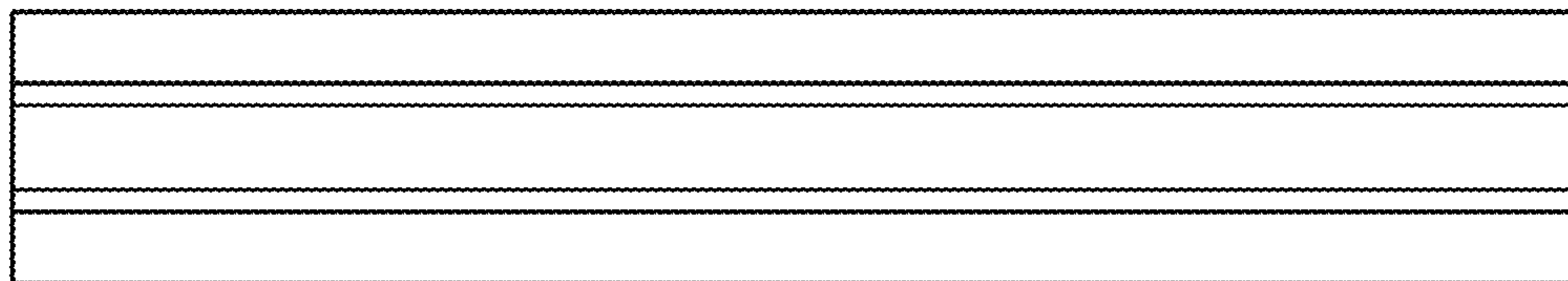


FIG. 3

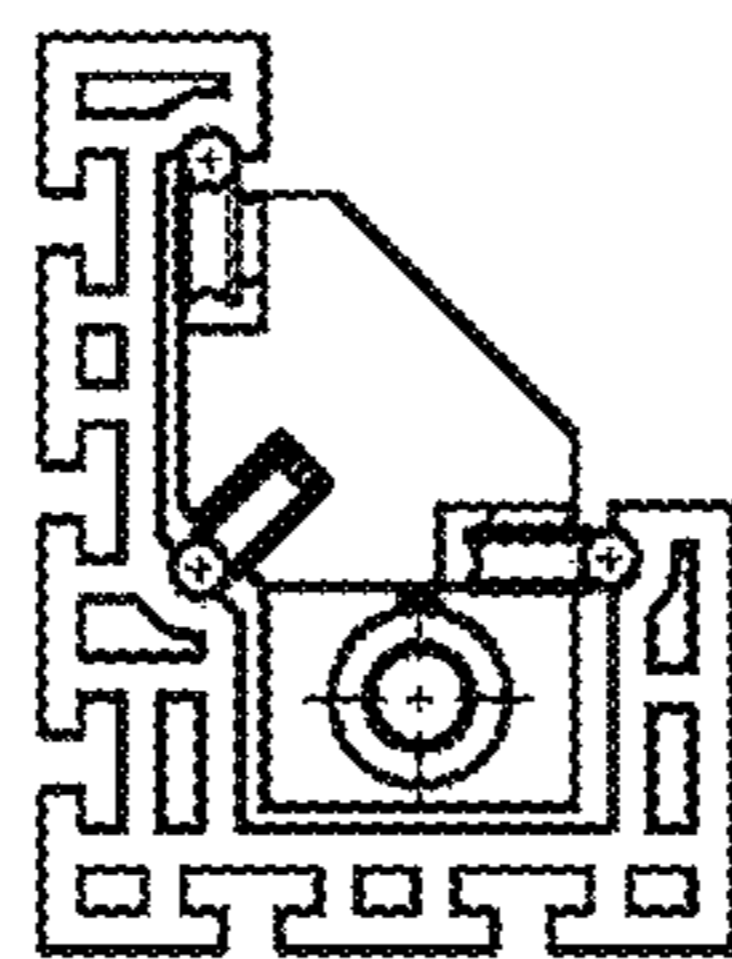


FIG. 4

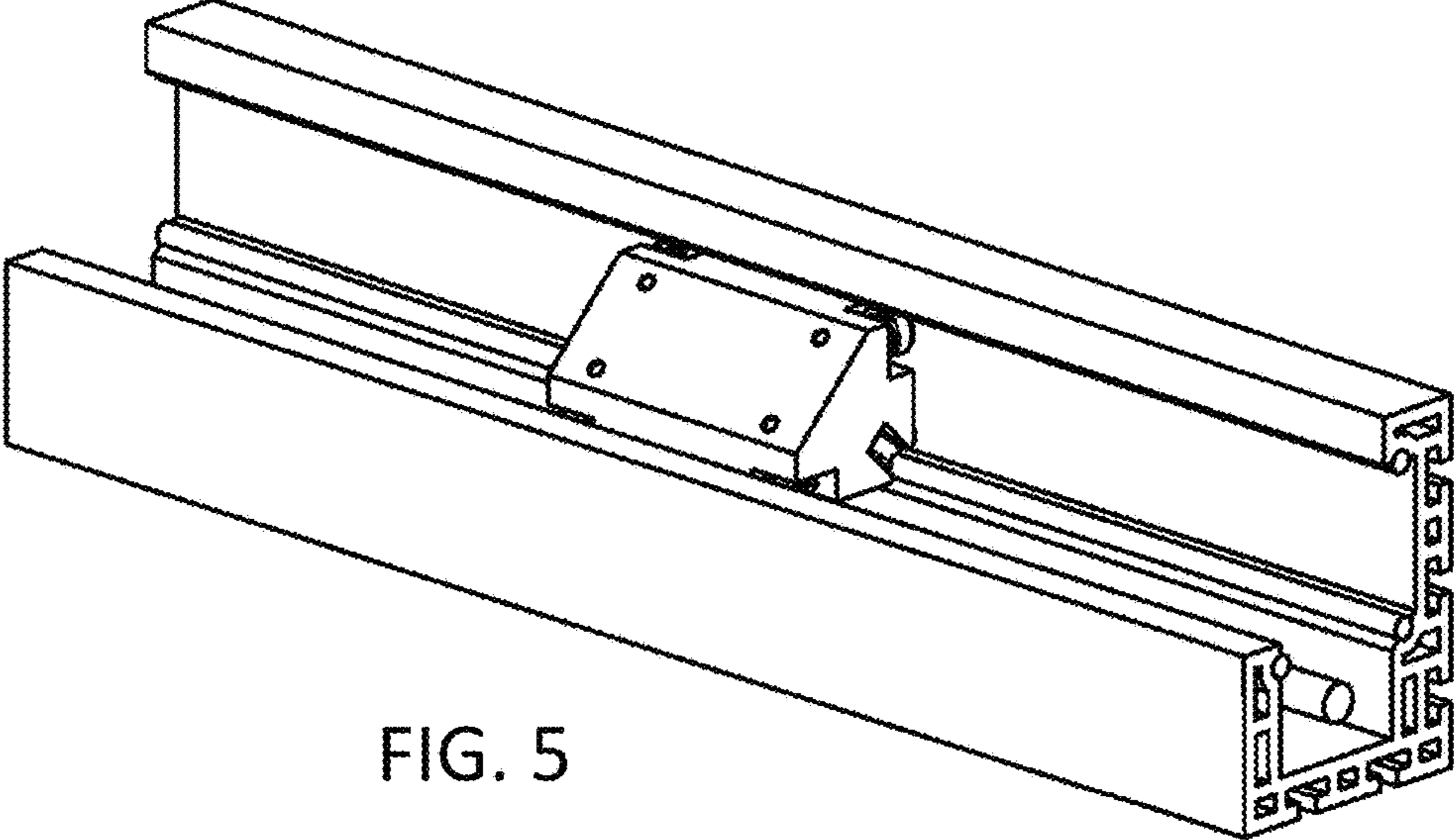


FIG. 5

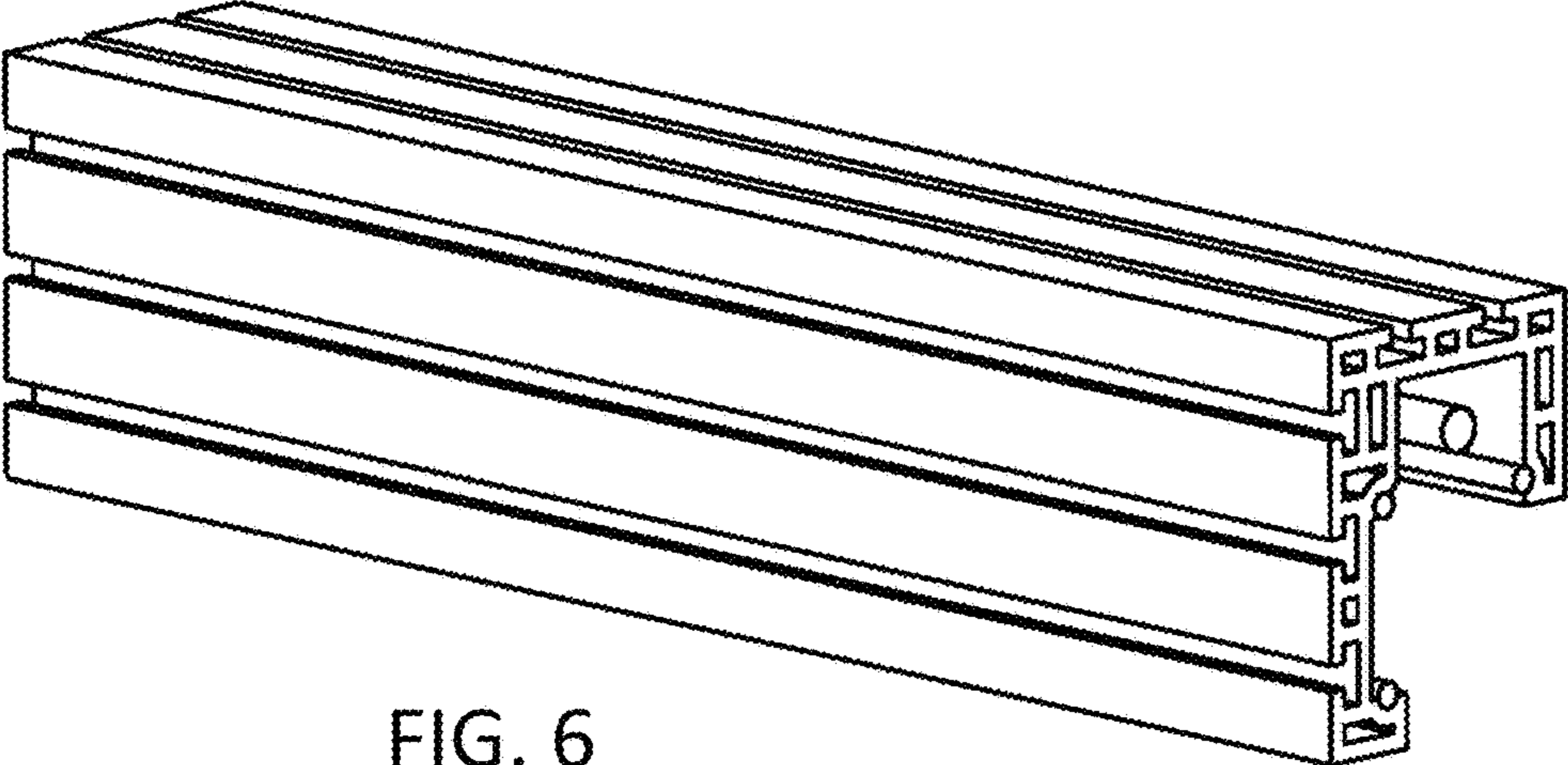


FIG. 6

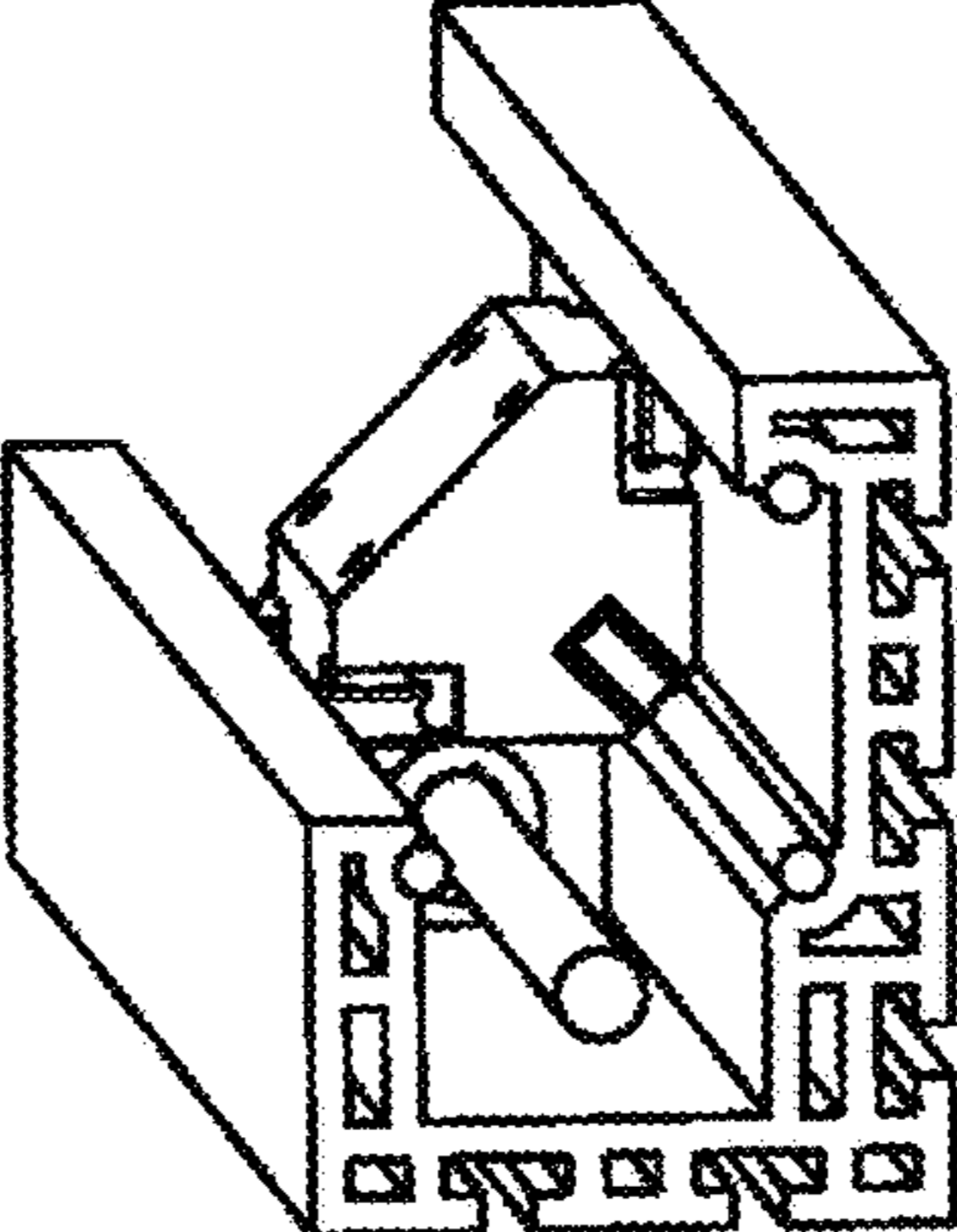


FIG. 7