



US00D800187S

(12) **United States Design Patent**  
**Larsson et al.**

(10) **Patent No.:** **US D800,187 S**  
(45) **Date of Patent:** **\*\* Oct. 17, 2017**

(54) **CRUSHER**

B02C 18/147; B02C 18/2233; B02C  
19/22; B30B 9/321; B30B 9/3039; Y10S  
100/902

(71) Applicant: **SANDVIK INTELLECTUAL  
PROPERTY AB**, Sandviken (SE)

See application file for complete search history.

(72) Inventors: **Mikael Larsson**, Sandviken (SE);  
**Anders Hallberg**, Sandviken (SE)

(56) **References Cited**

(73) Assignee: **SANDVIK INTELLECTUAL  
PROPERTY AB**, Sandviken (SE)

U.S. PATENT DOCUMENTS

(\*\*) Term: **15 Years**

(21) Appl. No.: **29/592,777**

(22) Filed: **Feb. 2, 2017**

3,843,068	A	*	10/1974	Allen	.....	B02C 2/04 228/185
D716,854	S	*	11/2014	Bergman	.....	D15/123
D719,195	S	*	12/2014	Ljunggren	.....	D15/123
D730,415	S	*	5/2015	Malmqvist	.....	D15/123
D733,766	S	*	7/2015	Sjoback	.....	D15/28
D734,375	S	*	7/2015	Johansson	.....	D15/123
D734,789	S	*	7/2015	Dallimore	.....	D15/123
D735,247	S	*	7/2015	Malmqvist	.....	D15/28
D737,348	S	*	8/2015	Johansson	.....	D15/123
D745,572	S	*	12/2015	Bergman	.....	D15/28
D745,582	S	*	12/2015	Malmqvist	.....	D15/123
D748,168	S	*	1/2016	Dallimore	.....	D15/123
D757,829	S	*	5/2016	Dallimore	.....	D15/123
D766,334	S	*	9/2016	Bergman	.....	D15/28
D779,570	S	*	2/2017	Larsson	.....	D15/123

(Continued)

**Related U.S. Application Data**

(62) Division of application No. 29/524,651, filed on Apr.  
22, 2015, now Pat. No. Des. 781,935.

*Primary Examiner* — Patricia Palasik

(30) **Foreign Application Priority Data**

Oct. 23, 2014 (EM) ..... 001423602-0001  
Oct. 23, 2014 (EM) ..... 001423602-0002  
Oct. 23, 2014 (EM) ..... 001423602-0003

(74) *Attorney, Agent, or Firm* — Corinne R. Gorski

(51) **LOC (10) Cl.** ..... **15-09**

(57) **CLAIM**

(52) **U.S. Cl.**

The ornamental design for a crusher, as shown and  
described.

USPC ..... **D15/123**

**DESCRIPTION**

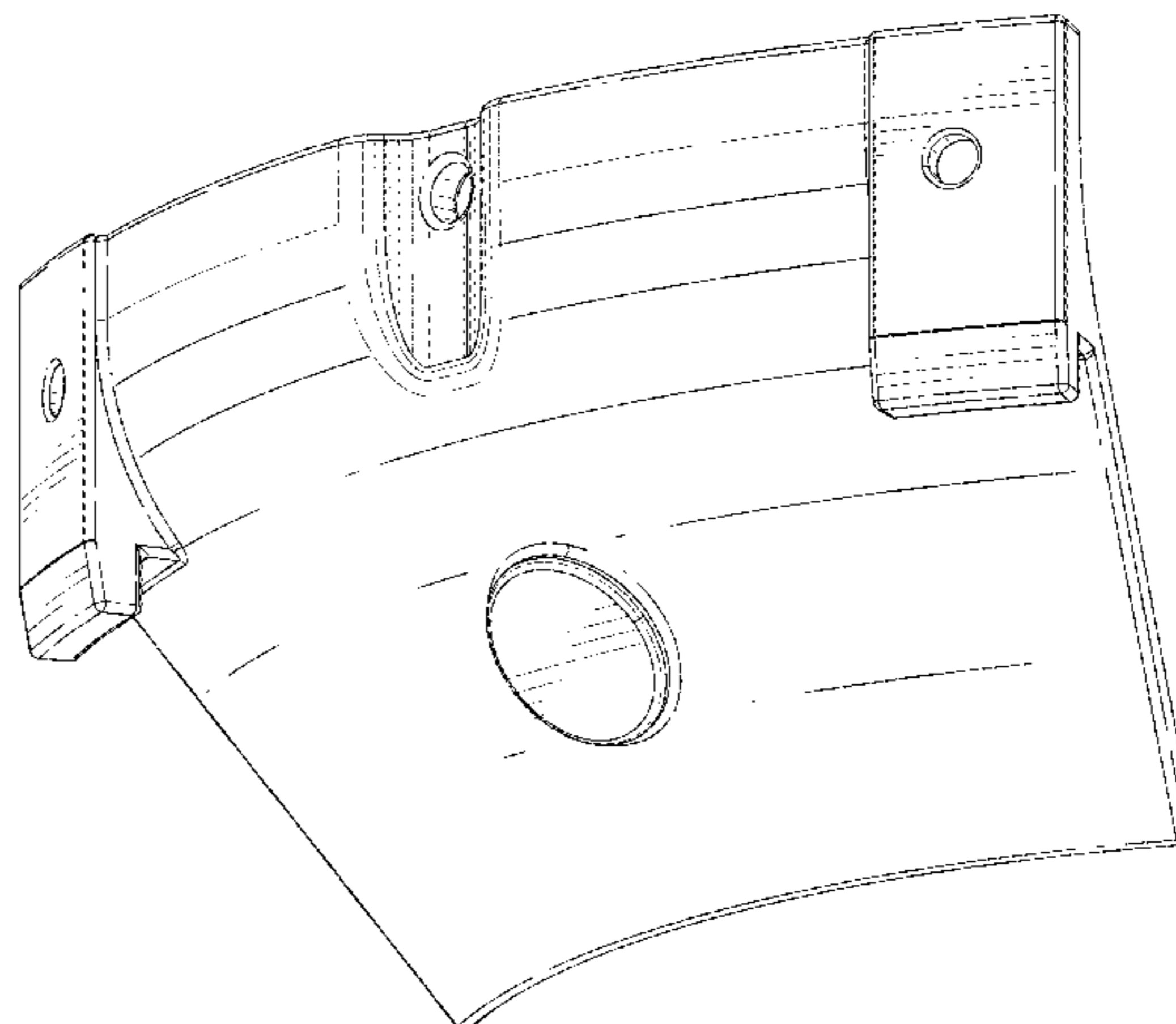
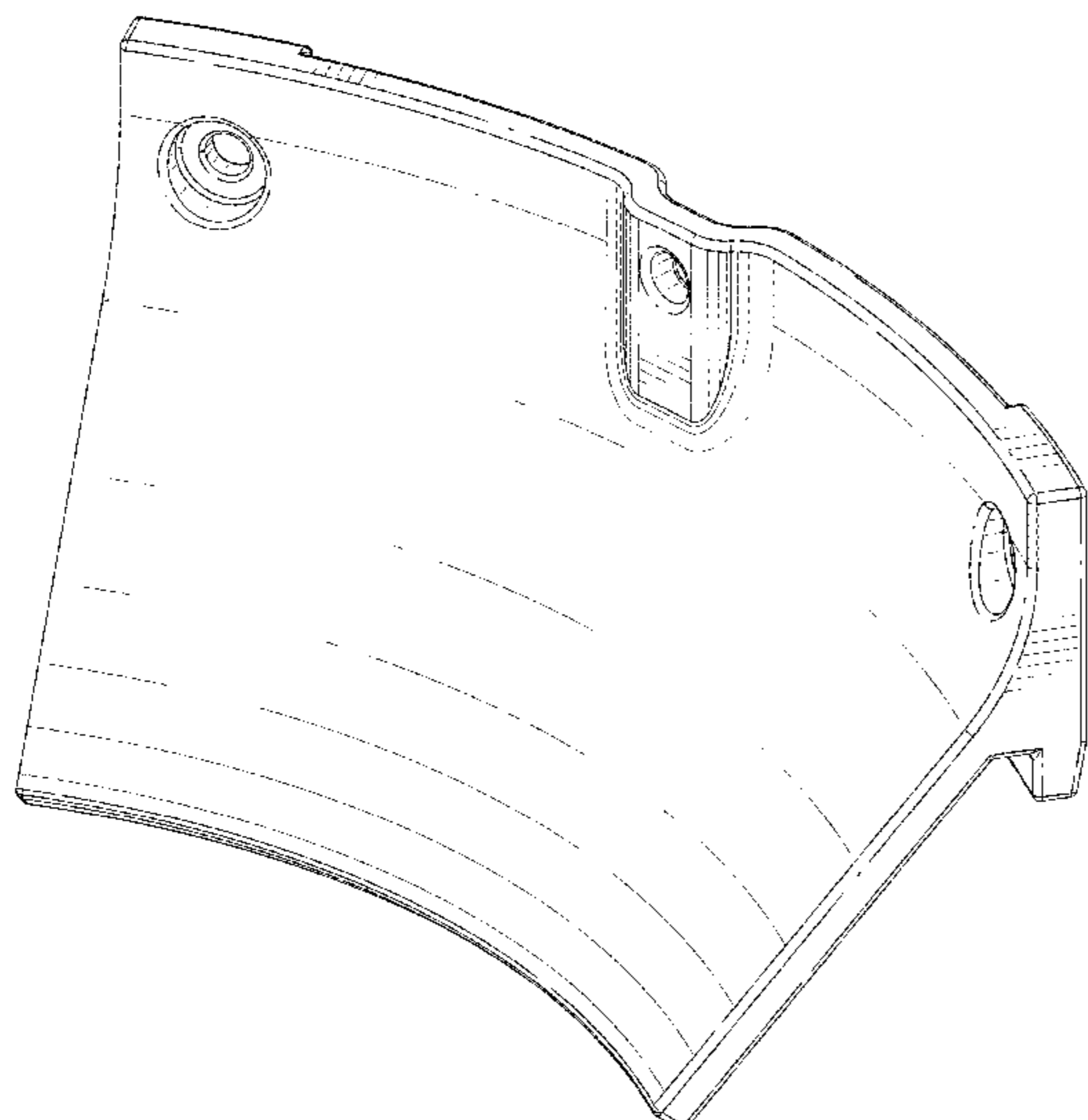
(58) **Field of Classification Search**

USPC ..... D15/122, 125; 72/448, 455, 465;  
100/207, 208, 214, 268, 282, 292;  
241/31, 58, 159, 179, 186, 236, 285;  
435/86, 135, 347, 348.5, 349, 350, 353,  
435/355, 358, 360

FIG. 1 is a top, front perspective view of a crusher of the  
present invention;  
FIG. 2 is a top, back perspective view thereof  
FIG. 3 is a front view thereof;  
FIG. 4 is a back view thereof;  
FIG. 5 is a side view thereof;  
FIG. 6 is a top view thereof; and,  
FIG. 7 is a bottom view thereof.

CPC .. B01D 41/04; B02C 1/00; B02C 1/02; B02C  
1/04; B02C 1/005; B02C 1/025; B02C  
1/043; B02C 2/04; B02C 13/00; B02C  
13/282; B02C 13/1828; B02C 13/2804;  
B02C 18/14; B02C 18/142; B02C 18/145;

**1 Claim, 7 Drawing Sheets**



(56)

**References Cited**

U.S. PATENT DOCUMENTS

D781,935	S *	3/2017	Larsson .....	D15/123
2011/0006143	A1 *	1/2011	Gunnarsson .....	B02C 2/04 241/215
2012/0223171	A1 *	9/2012	Flath .....	B02C 2/04 241/207
2013/0075508	A1 *	3/2013	Stemper .....	B02C 2/005 241/207
2013/0334348	A1 *	12/2013	Dricken .....	B02C 2/047 241/32
2014/0084095	A1 *	3/2014	Glauberman .....	B02C 18/142 241/277

\* cited by examiner

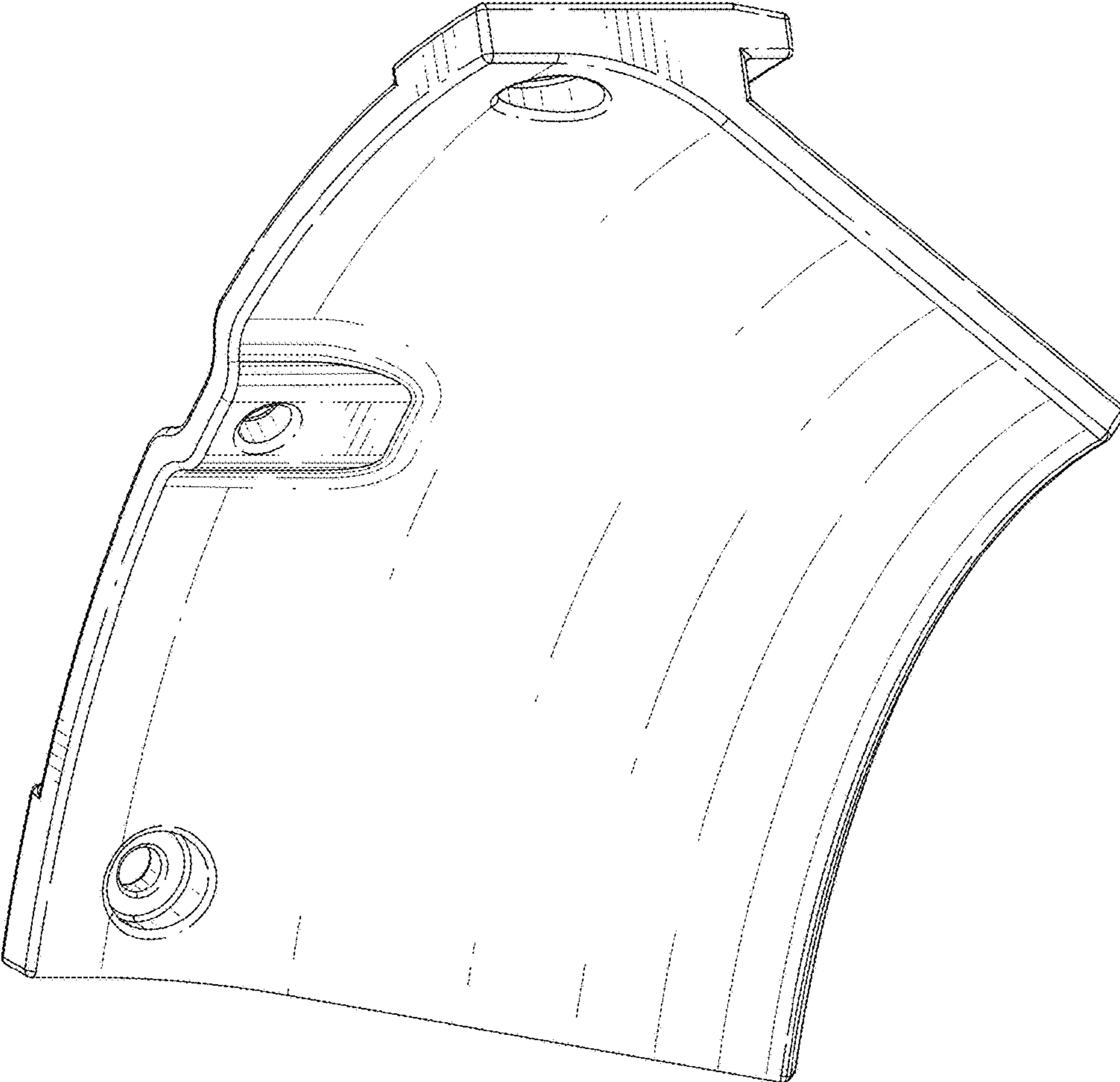


FIG. 1

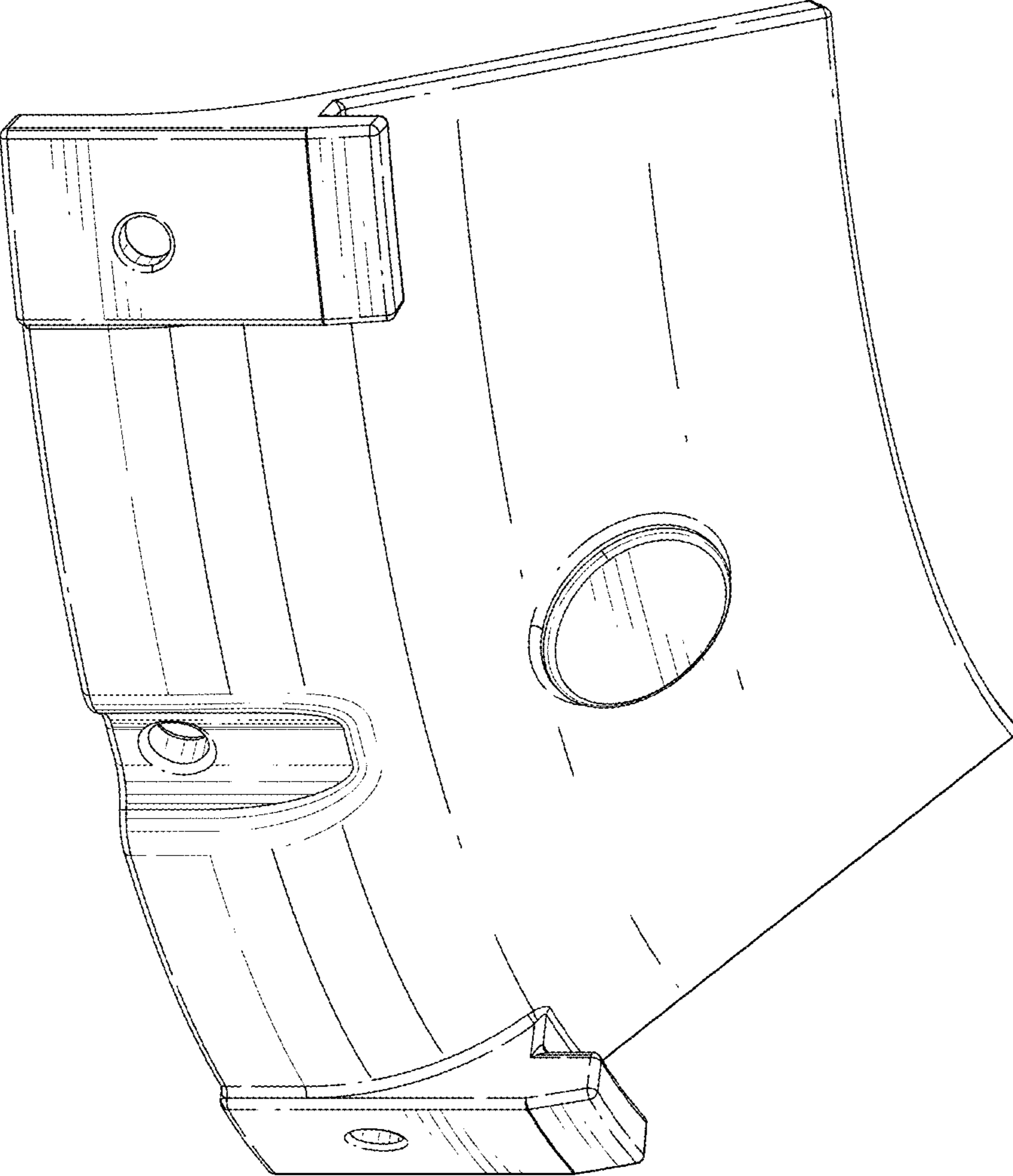


FIG. 2

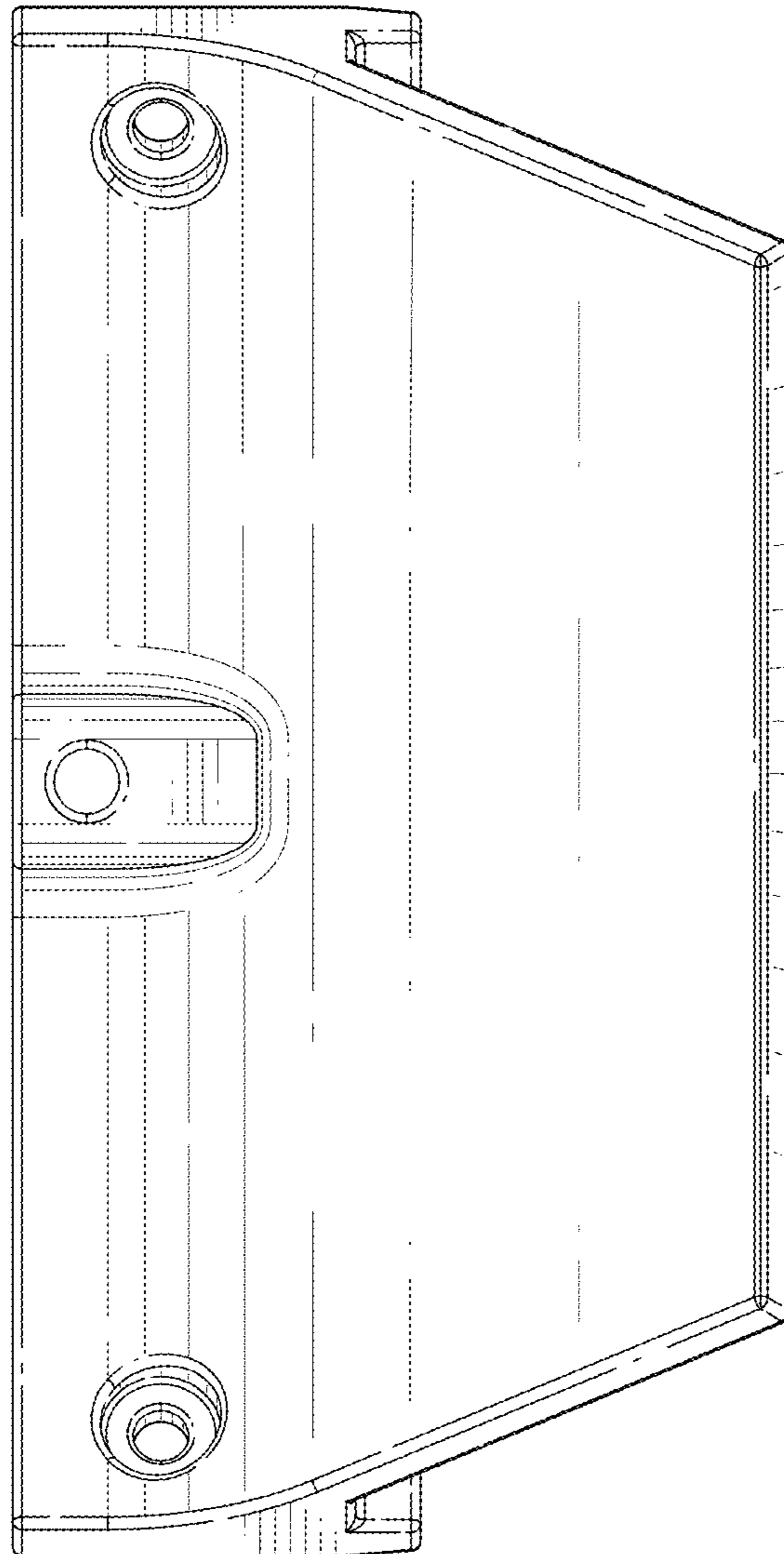


FIG. 3



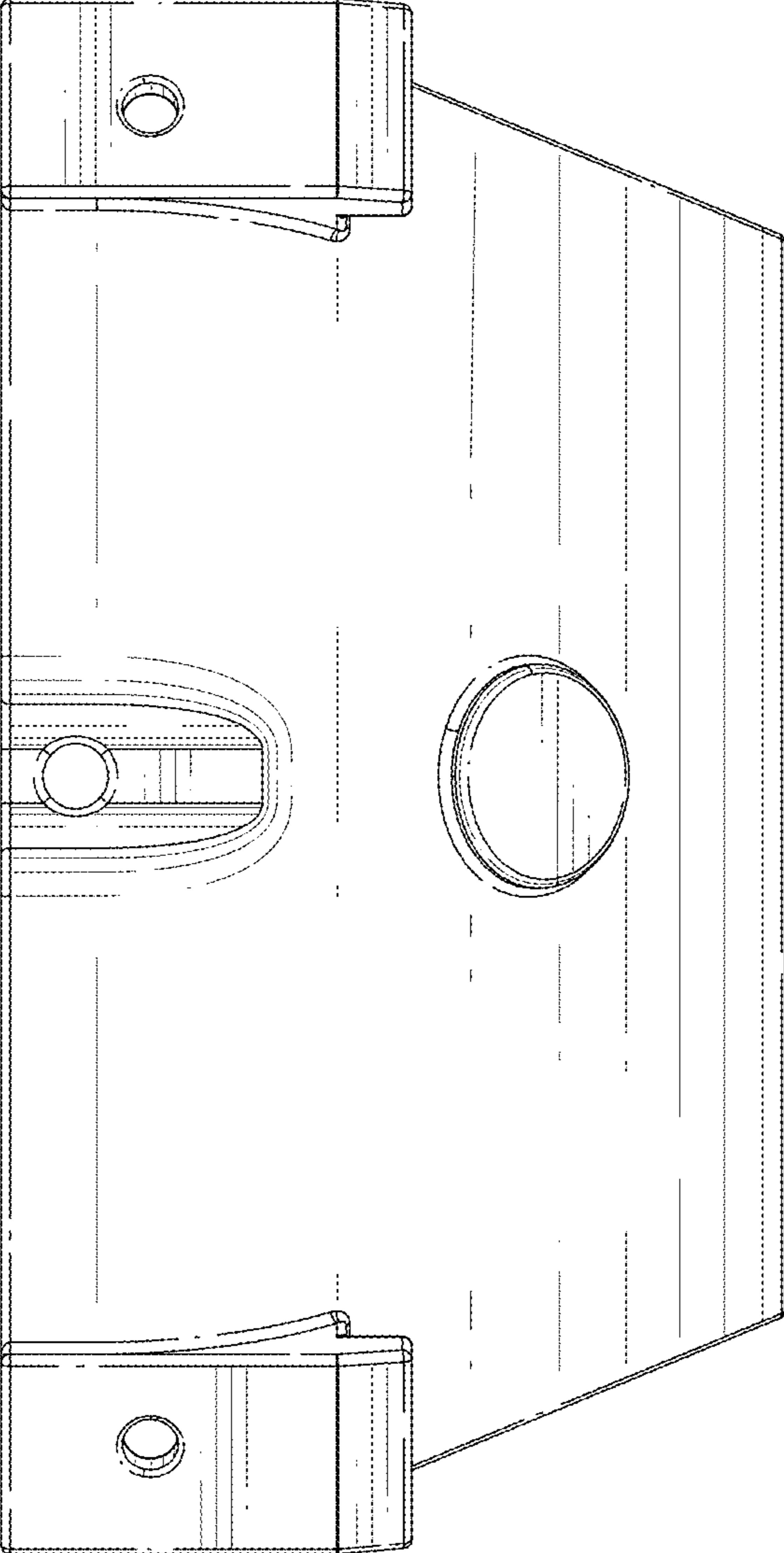


FIG. 4

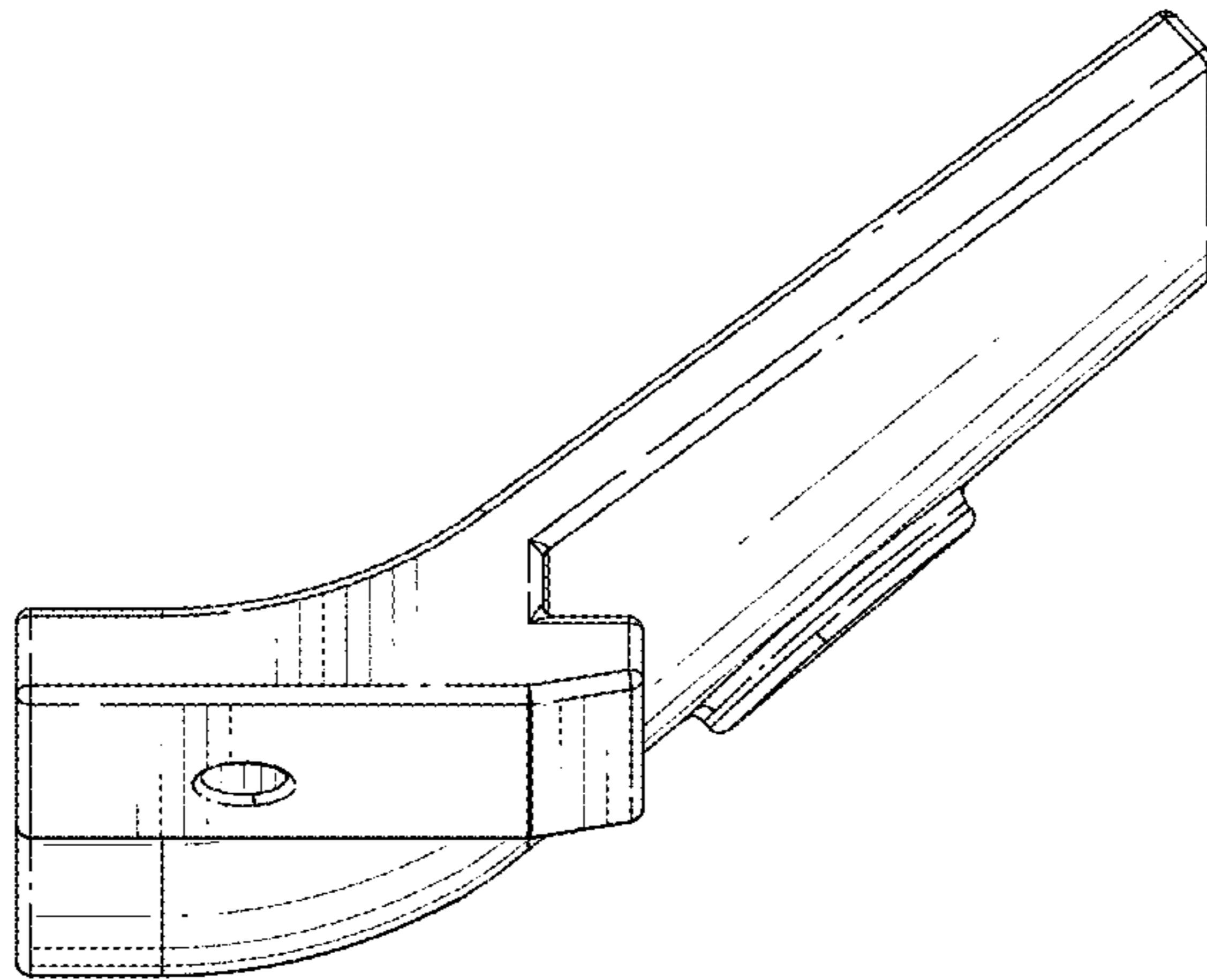


FIG. 5

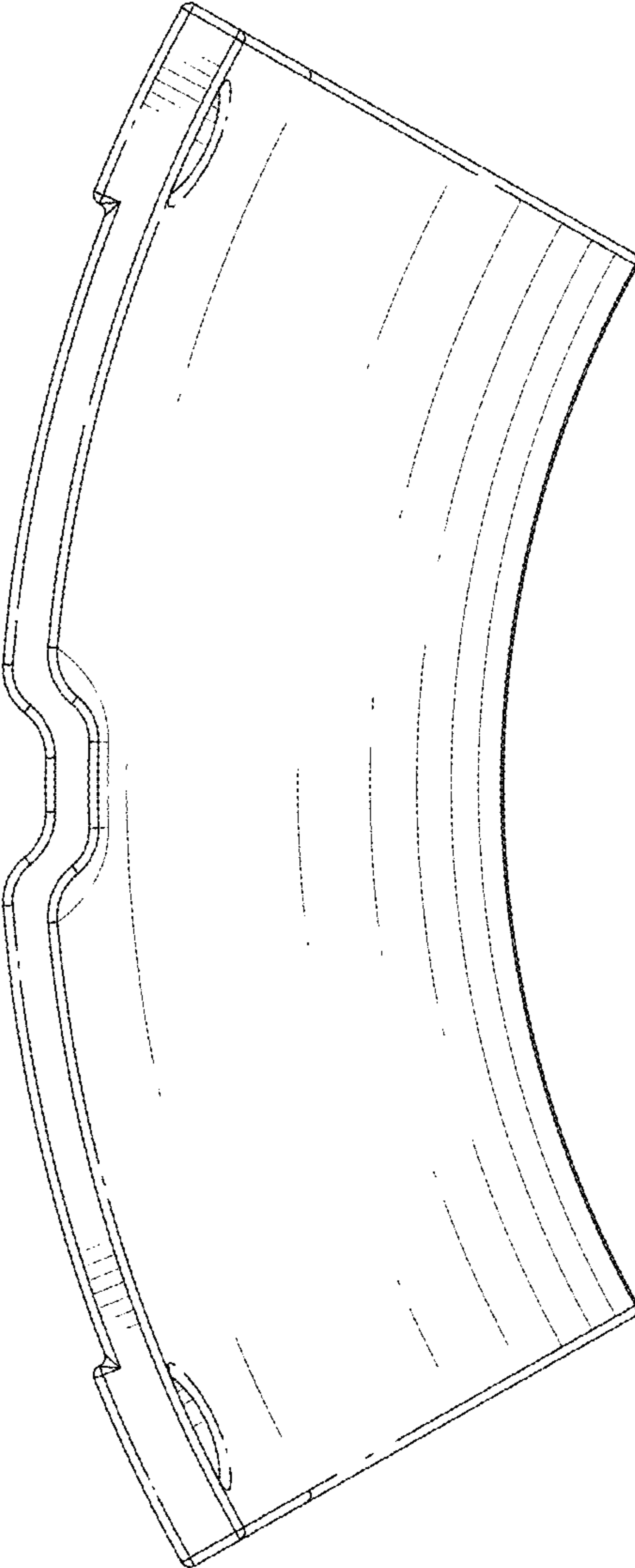


FIG. 6



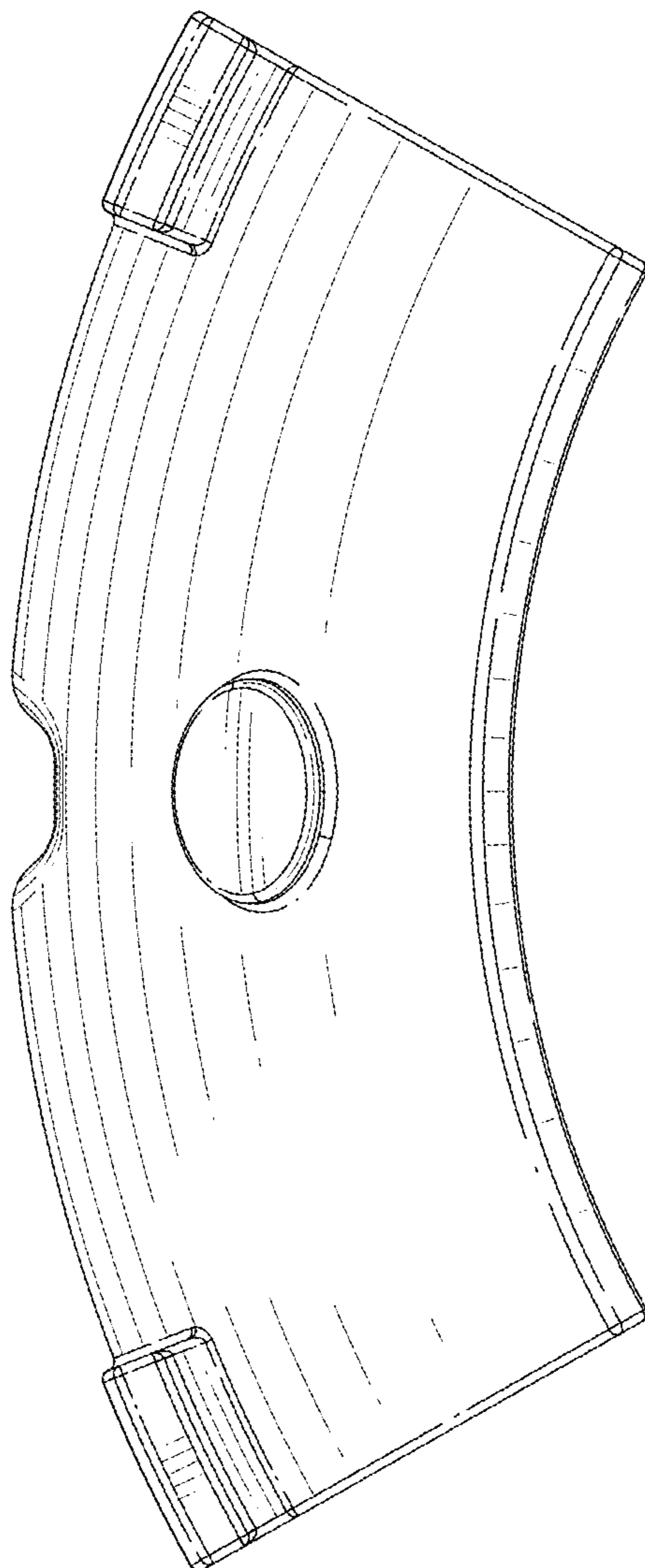


FIG. 7