



US00D800184S

(12) **United States Design Patent** (10) **Patent No.:** **US D800,184 S**
Suess et al. (45) **Date of Patent:** **** Oct. 17, 2017**

(54) **BEVERAGE COOLER**

F25B 2400/16; F25B 2400/19; F25B 2400/23; F25B 2500/22; F25B 2500/23; F25B 2500/24; F25B 2500/26; F25B 2600/0251; F25B 2600/0272

(71) Applicants: **Christon Suess**, Paramus, NJ (US);
Jeffrey Steel, Hoboken, NJ (US);
Jillian Walbroel, Woodland Park, NJ (US)

See application file for complete search history.

(72) Inventors: **Christon Suess**, Paramus, NJ (US);
Jeffrey Steel, Hoboken, NJ (US);
Jillian Walbroel, Woodland Park, NJ (US)

(56) **References Cited**

U.S. PATENT DOCUMENTS

D330,513 S *	10/1992	Gilchrist	D3/284
D381,515 S *	7/1997	Haynes	D24/224
D514,392 S *	2/2006	Bruns	B62B 3/00
				D7/606
D587,109 S *	2/2009	Lyon	D9/737
D596,758 S *	7/2009	Constable	D24/230
D608,609 S *	1/2010	Eaton	D7/701

(Continued)

(73) Assignee: **Cotapaxi Custom Design and Manufacturing LLC**, Carlstadt, NJ (US)

Primary Examiner — Ian Simmons
Assistant Examiner — Khawaja Anwar
(74) *Attorney, Agent, or Firm* — Steven E. Shapiro

(**) **Term:** **15 Years**

(21) Appl. No.: **29/584,946**

(22) Filed: **Nov. 18, 2016**

(51) **LOC (10) Cl.** **15-07**

(52) **U.S. Cl.**
USPC **D15/79**

(57) **CLAIM**

The ornamental design for a beverage cooler, as shown and described.

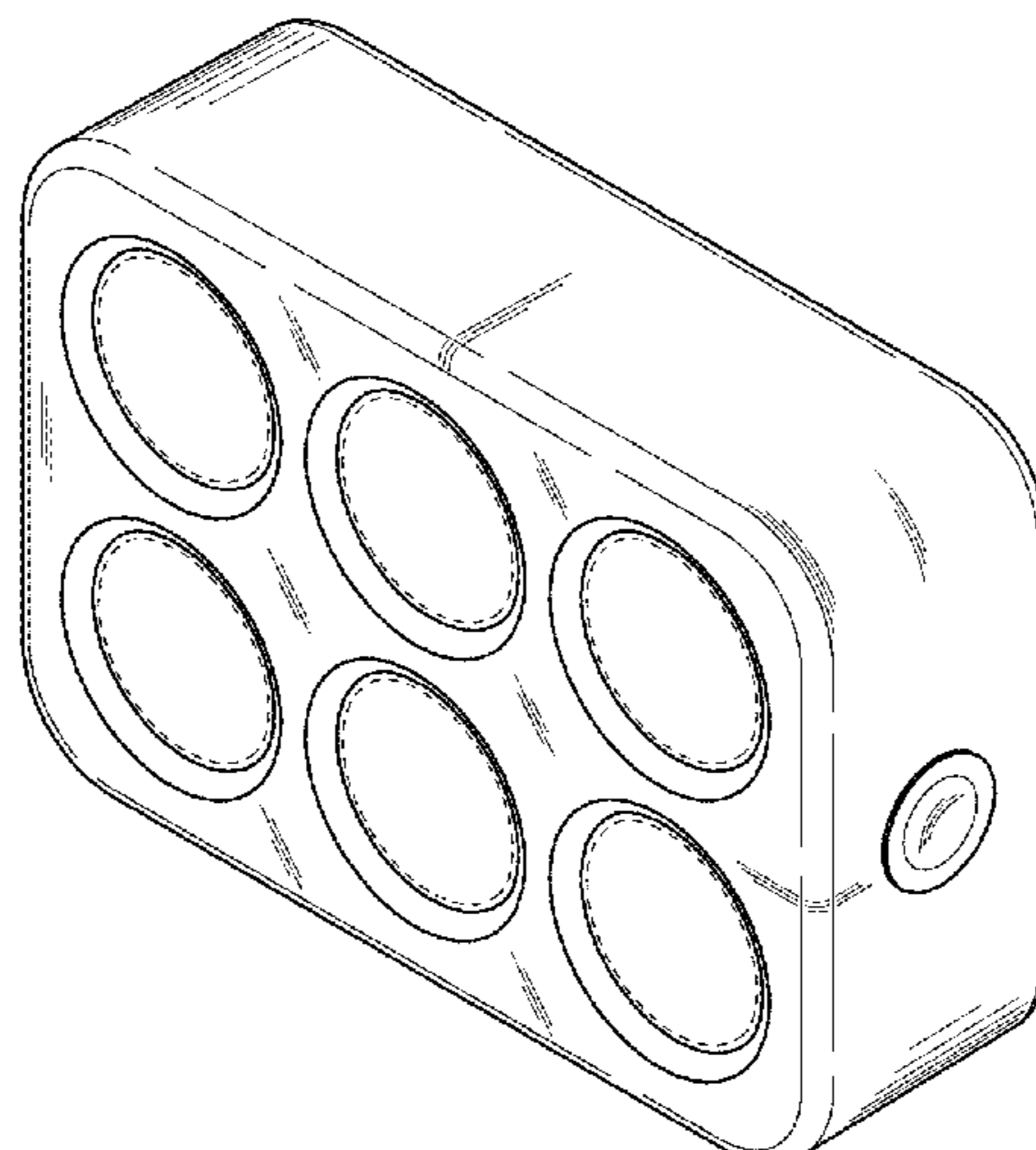
(58) **Field of Classification Search**

USPC D15/79-91; D7/619.1, 603, 213, 305, D7/602, 619.2, 701, 708, 600.1; D9/737, D9/761, 757, 759, 420-426, 430-432, D9/553.1, 553.6, 553.7, 553.8; D3/304, D3/272, 273, 302, 309-315, 319, 901, D3/903, 904; D24/185, 216-232, D24/127-128
CPC F25B 49/02; F25B 25/005; F25B 40/02; F25B 49/022; F25B 1/00; F25B 23/006; F25B 2600/021; F25B 2600/0253; F25B 2600/2513; F25B 2700/21163; F25B 41/00; F25B 41/003; F25B 5/02; F25B 13/00; F25B 1/10; F25B 21/02; F25B 2313/0231; F25B 2313/0233; F25B 2313/02742; F25B 2339/044; F25B 2339/047; F25B 2341/0012; F25B 2341/0652; F25B 2400/053; F25B 2400/06; F25B 2400/075; F25B 2400/13;

DESCRIPTION

FIG. 1 is a top, left side, front perspective view of a beverage cooler;
FIG. 2 is a bottom, left side, rear perspective view of the beverage cooler;
FIG. 3 is a front view of the beverage cooler;
FIG. 4 is a rear view of the beverage cooler;
FIG. 5 is a left side view of the beverage cooler;
FIG. 6 is a right side view of the beverage cooler;
FIG. 7 is a top view of the beverage cooler; and,
FIG. 8 is a bottom view of the beverage cooler.
The broken lines shown in drawings represent unclaimed portions of the beverage cooler and form no parts of the claimed design.

1 Claim, 8 Drawing Sheets



(56)

References Cited

U.S. PATENT DOCUMENTS

D676,470 S *	2/2013	Norin	D15/90
D680,815 S *	4/2013	Glaros	D7/605
D684,276 S *	6/2013	Hudson	D24/226
D705,618 S *	5/2014	Reid, Jr.	D7/701
D736,403 S *	8/2015	Hudson	D24/216
D739,680 S *	9/2015	Smeja	D24/230
D774,369 S *	12/2016	Harris	D7/708
D780,529 S *	3/2017	Kilby	D7/603
D792,735 S *	7/2017	Henry	D7/357

* cited by examiner

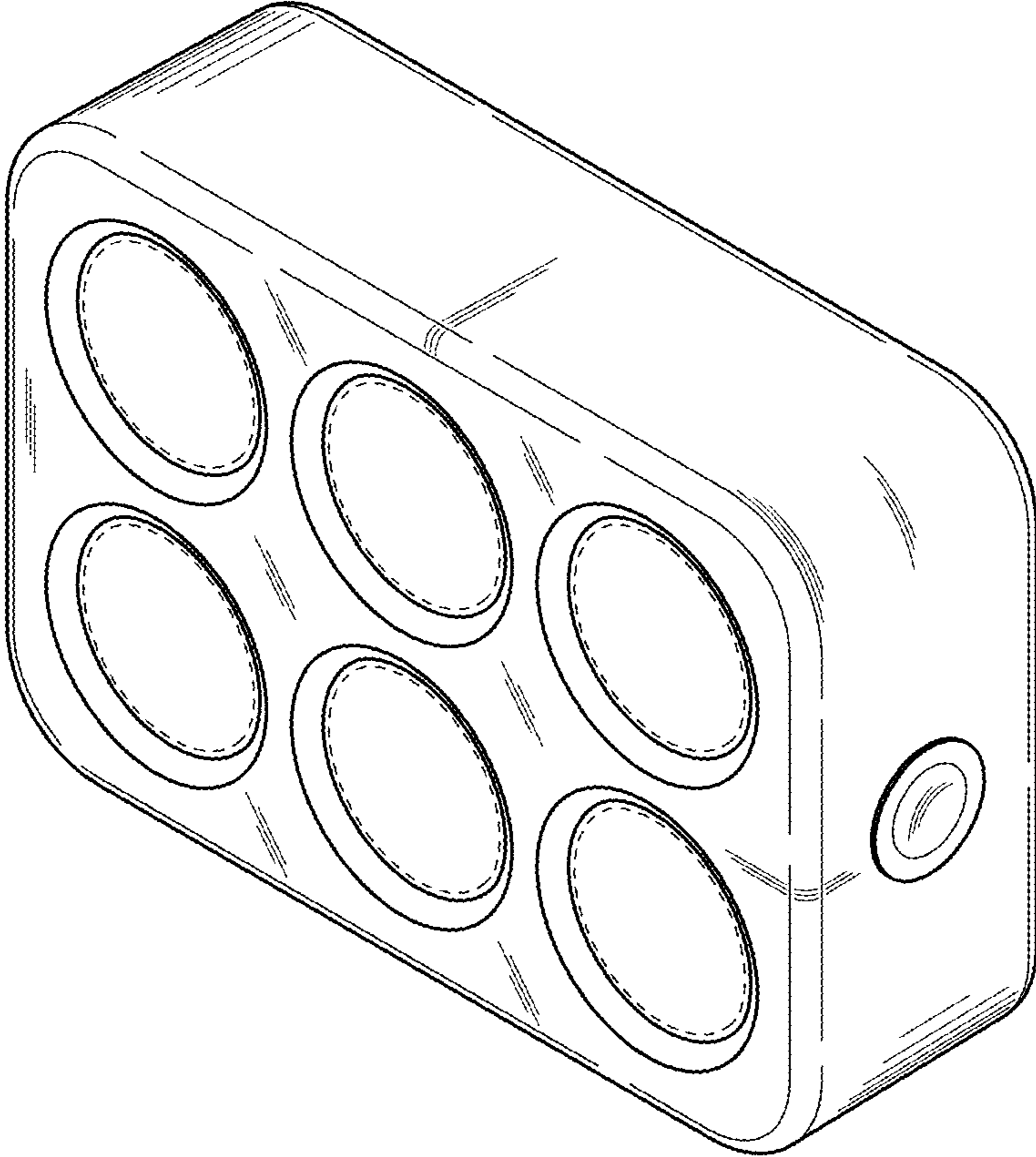


FIG. 1

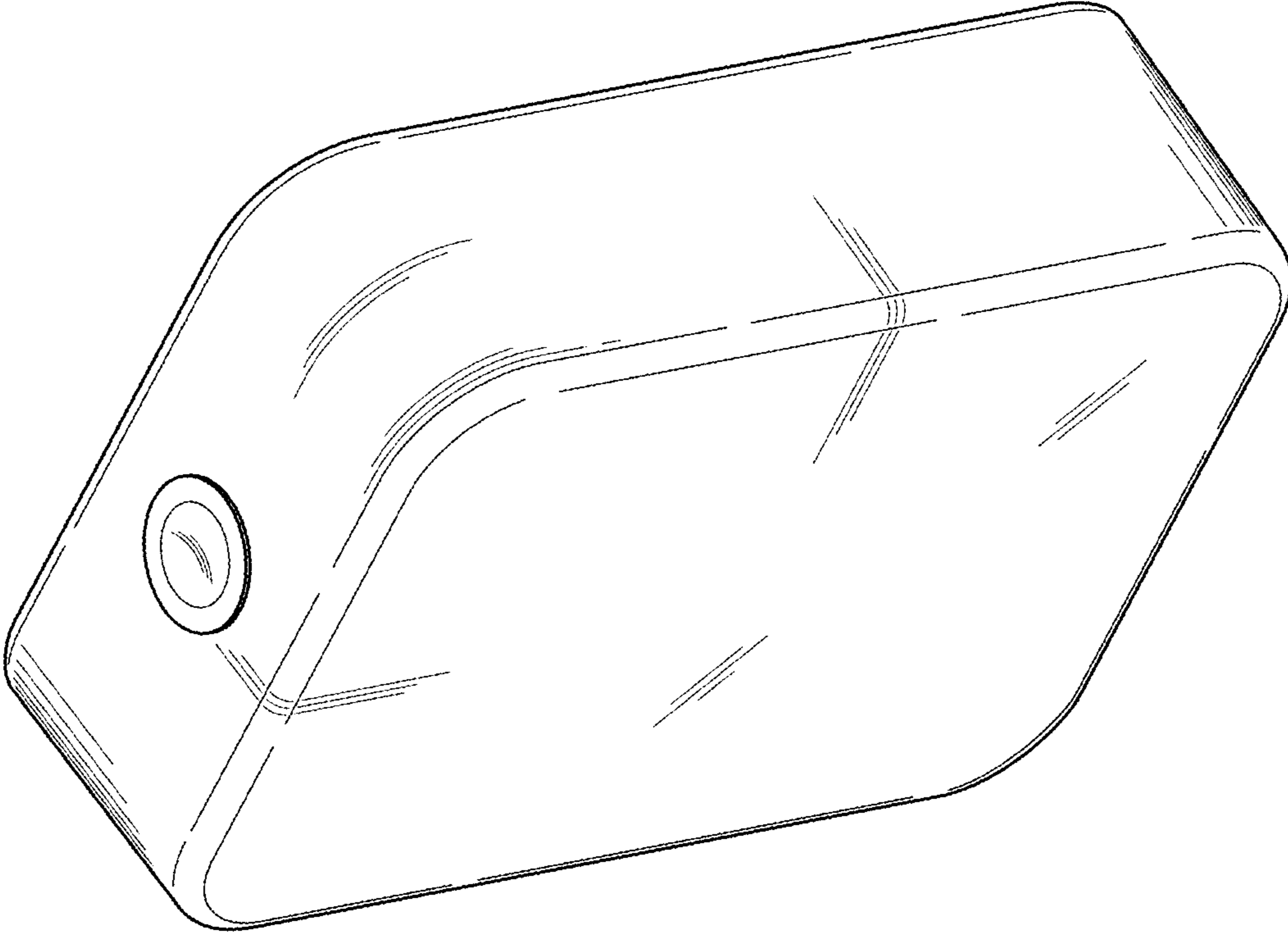


FIG. 2

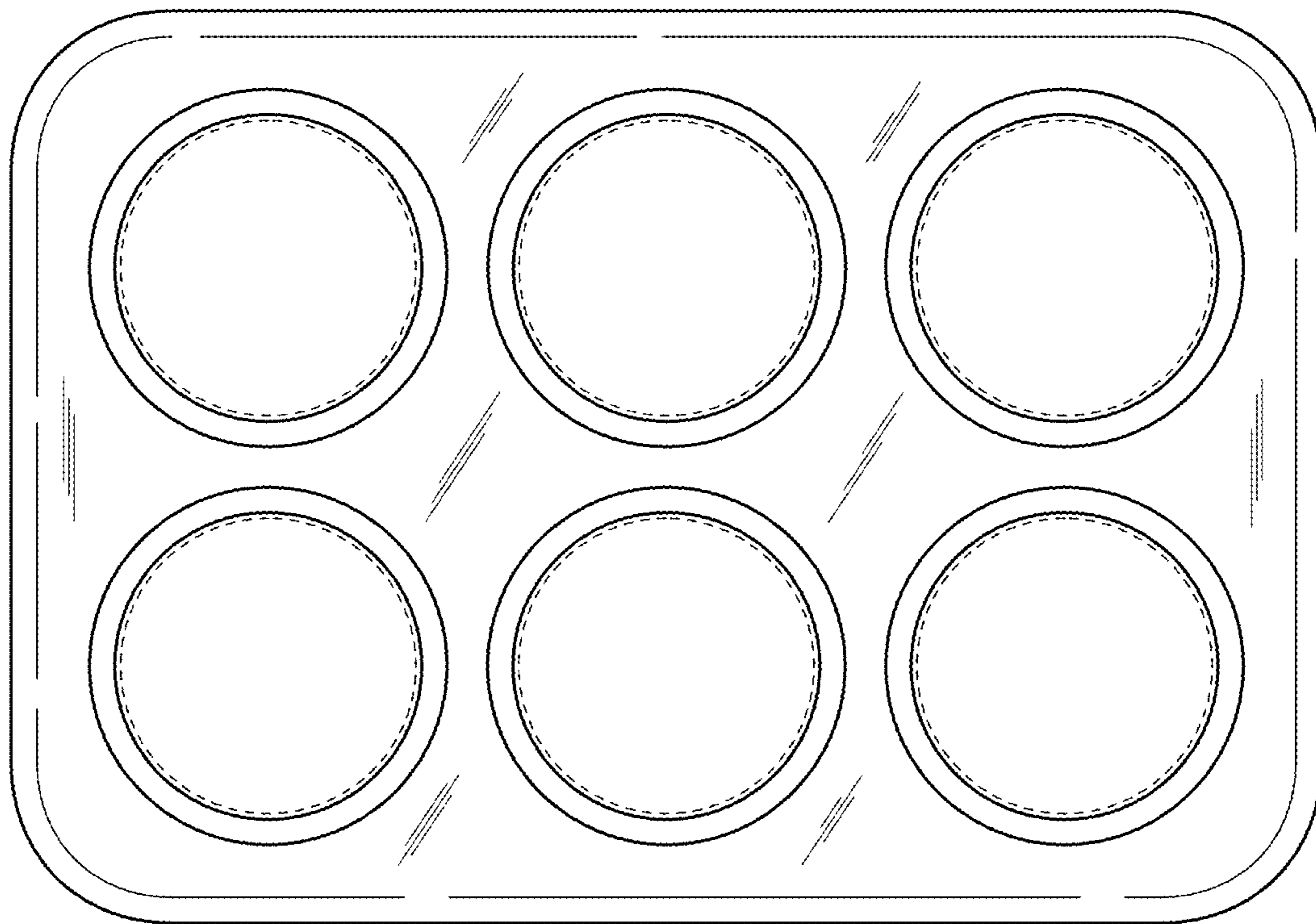


FIG. 3

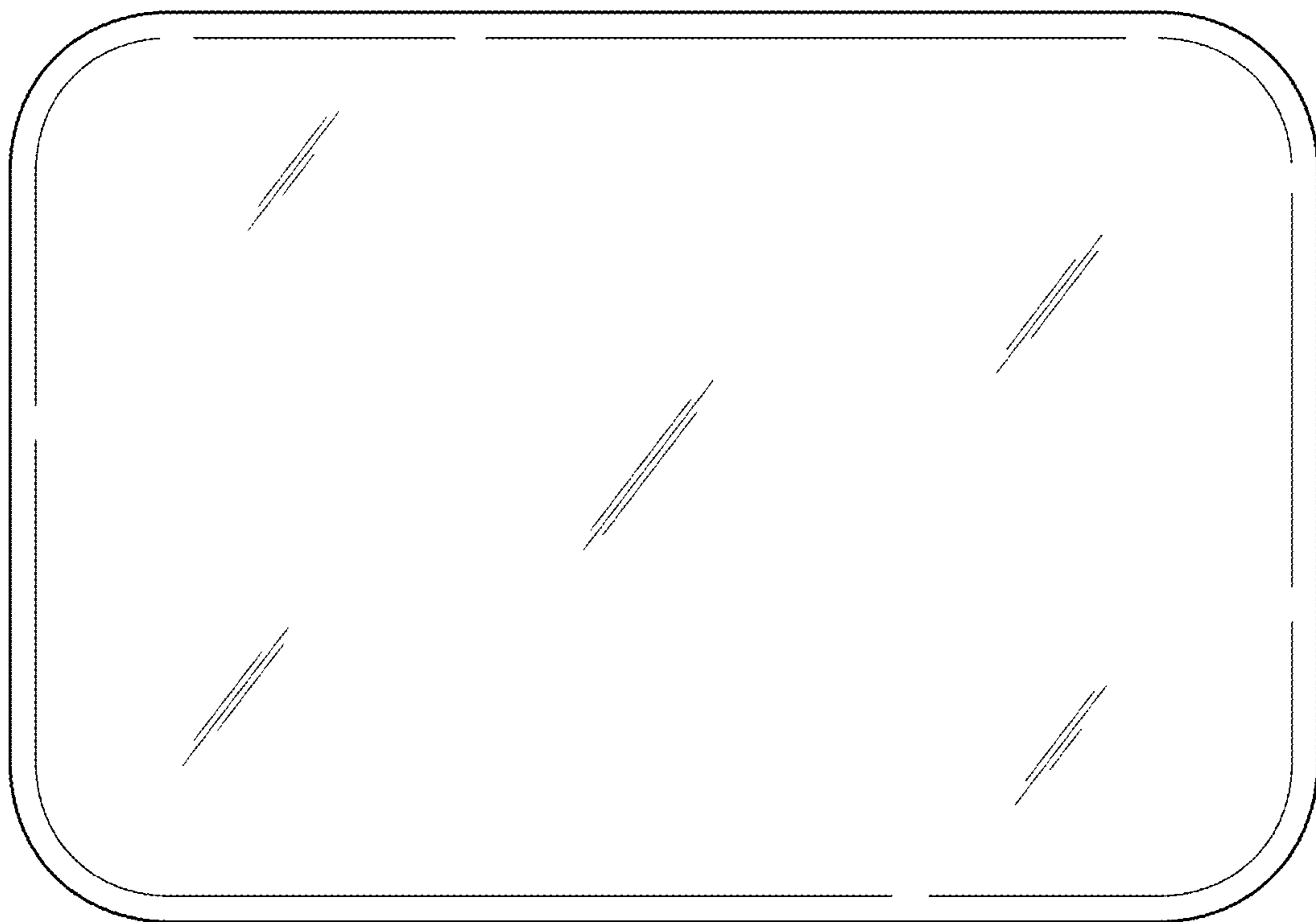


FIG. 4

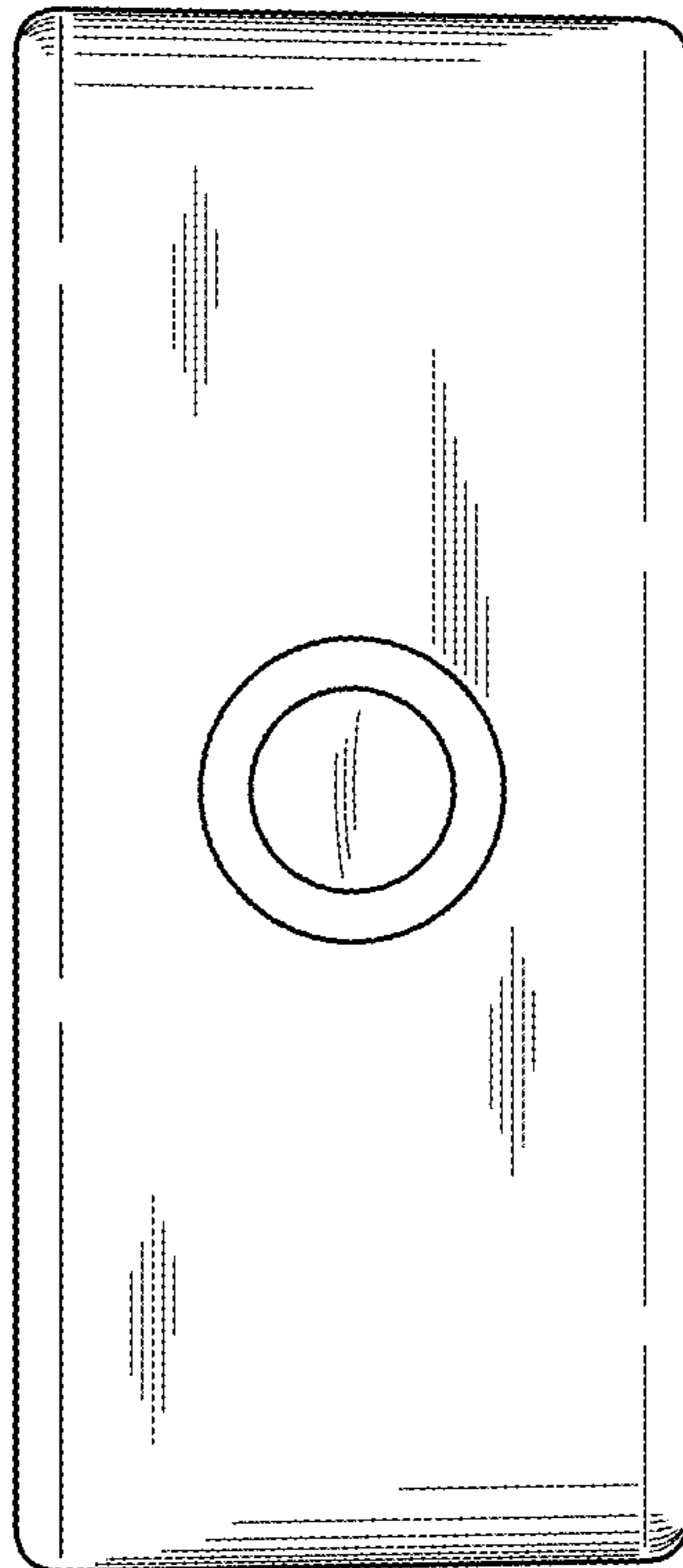


FIG. 5

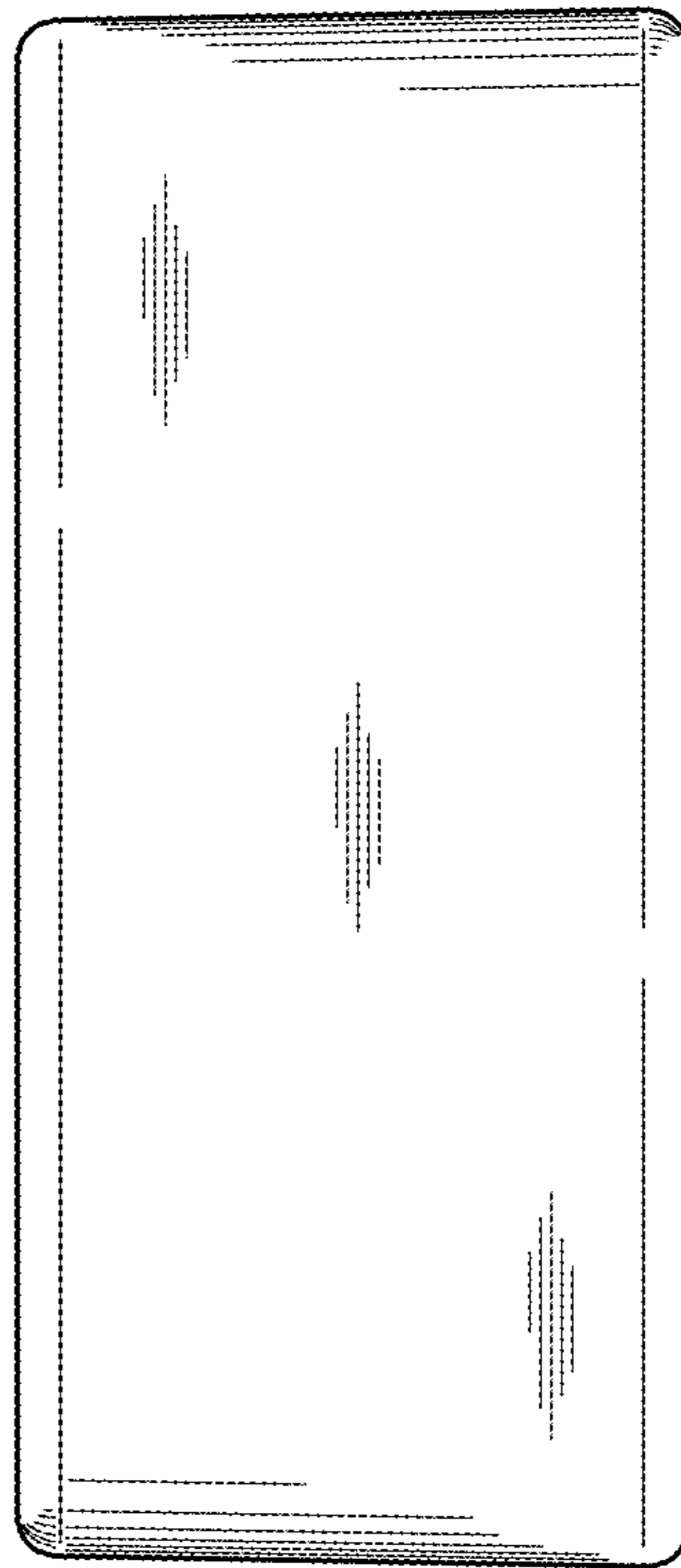


FIG. 6

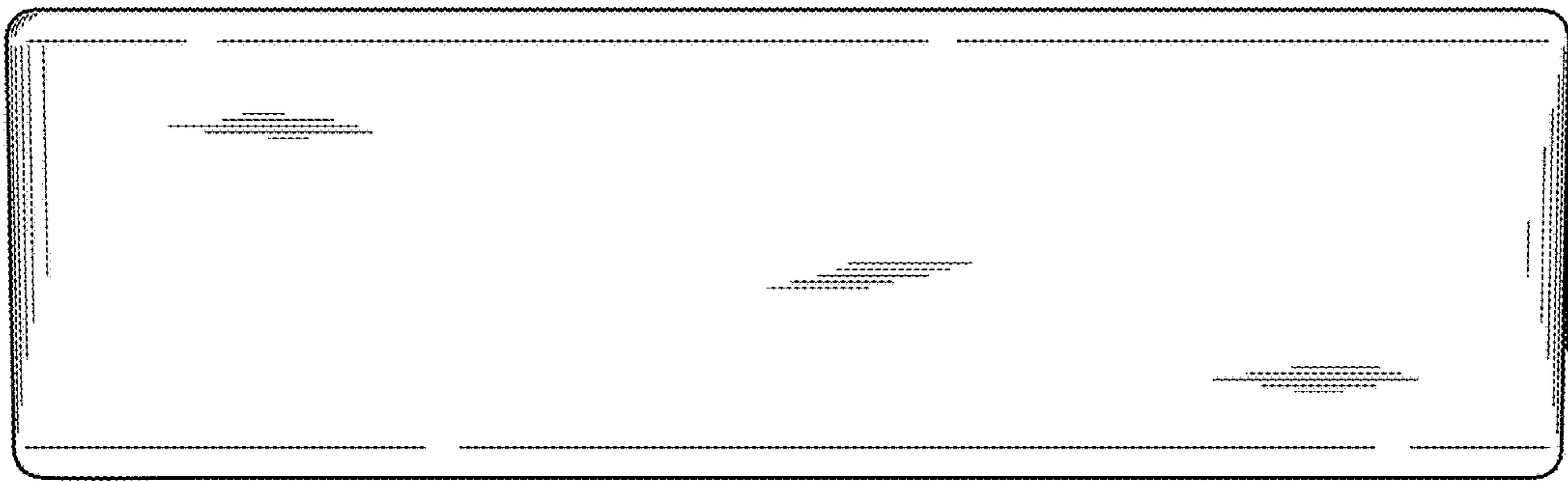


FIG. 7

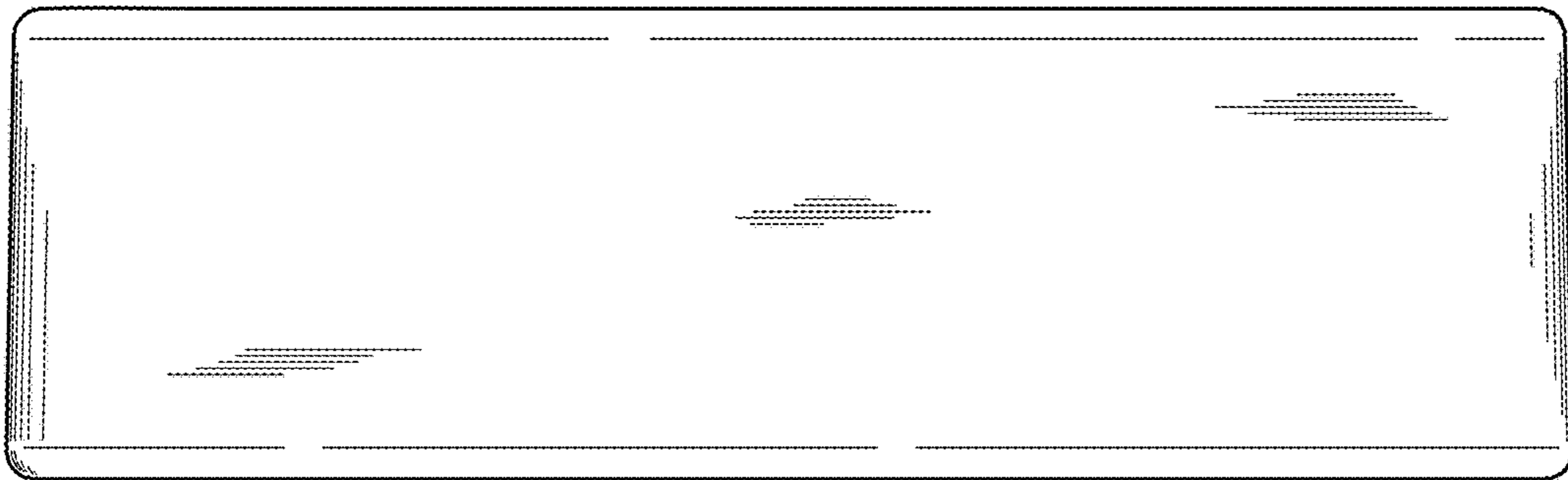


FIG. 8