

US00D800180S

(12) **United States Design Patent** (10) **Patent No.:** **US D800,180 S**
Nielsen (45) **Date of Patent:** **** Oct. 17, 2017**

(54) **MOUNTING HITCH WITH CARRIER ARM AND MOWER UNIT**

D379,822 S * 6/1997 Kishi D15/17
D394,662 S * 5/1998 Grow D15/17
6,052,980 A * 4/2000 Friesen A01D 34/664
56/16.9
D424,071 S * 5/2000 Bickford D15/17
6,058,688 A * 5/2000 Krambeck A01D 61/008
56/10.2 R

(71) Applicant: **KVERNELAND GROUP**
KERTEMINDE AS, Kerteminde (DK)

(72) Inventor: **Rasmus Elmelund Nielsen, Gudbjerg (DK)**

(Continued)

(73) Assignee: **KVERNELAND GROUP**
KERTEMINDE A/S, Kerteminde (DK)

FOREIGN PATENT DOCUMENTS

DE 29614199 U1 10/1996
EP 0593377 A1 4/1994

(**) Term: **15 Years**

(Continued)

(21) Appl. No.: **29/581,040**

OTHER PUBLICATIONS

(22) Filed: **Oct. 14, 2016**

European Search Report in Patent Application No. EP 13163432, dated Sep. 9, 2013, in 6 pages.

(30) **Foreign Application Priority Data**

(Continued)

Apr. 15, 2016 (EM) 003070929

(51) **LOC (10) Cl.** **15-03**

(52) **U.S. Cl.**
USPC **D15/14; D15/17**

(58) **Field of Classification Search**
USPC D15/17, 10, 14, 16; 56/14.9, 14.5, 153, 56/192, 6, 15.5, 189
CPC A01D 34/664; A01D 34/66; A01D 34/667; A01D 34/81; A01D 34/661; A01D 34/668; A01D 61/004
See application file for complete search history.

Primary Examiner — Mark Goodwin

(74) *Attorney, Agent, or Firm* — Knobbe Martens Olson & Bear LLP

(57) **CLAIM**

The ornamental design for a mounting hitch with carrier arm and mower unit, as shown and described.

DESCRIPTION

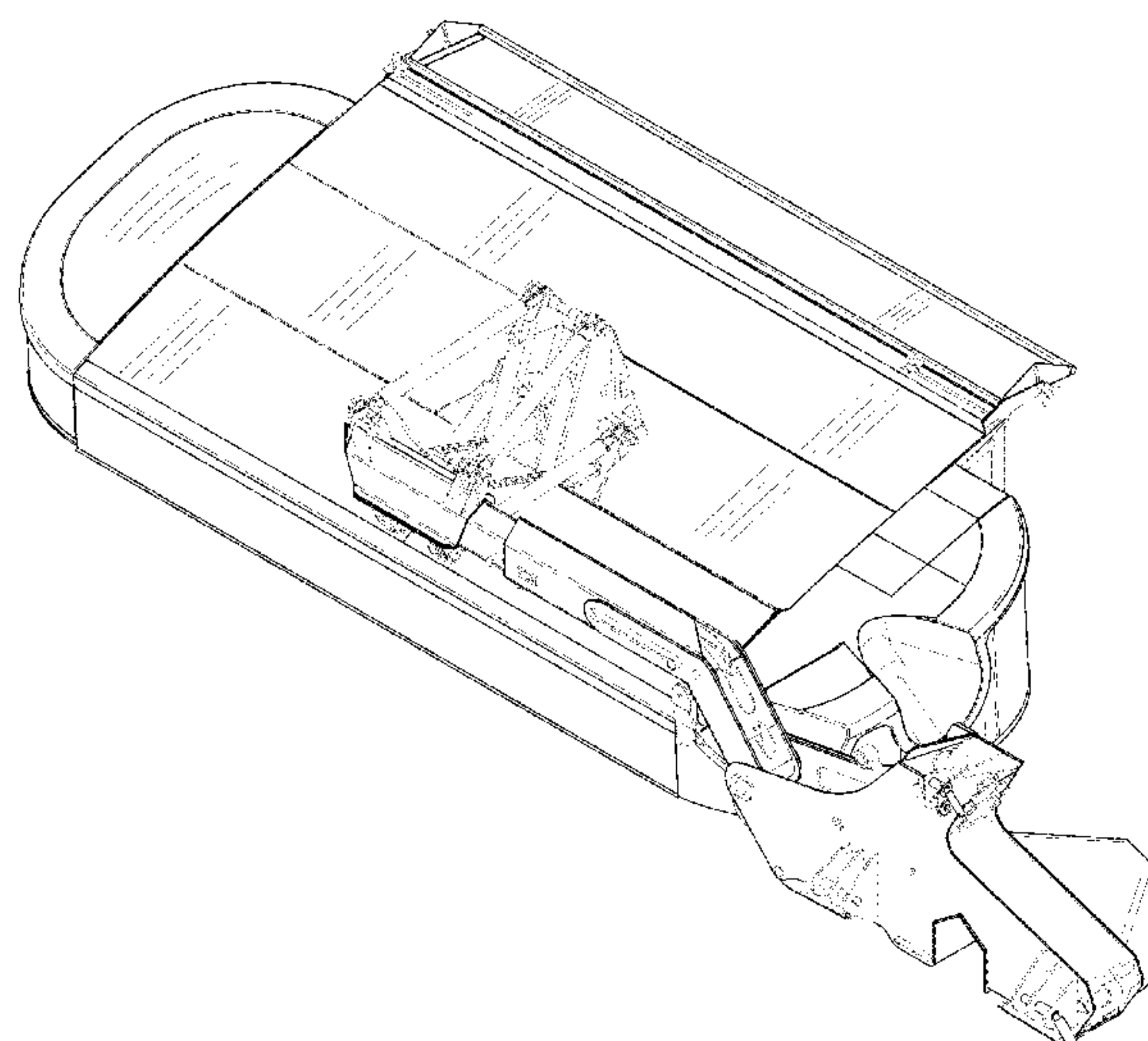
FIG. 1 is a front isometric view of a mounting hitch with carrier arm and mower unit, showing my new design. FIG. 2 is a rear isometric view thereof. FIG. 3 is a front elevational view thereof. FIG. 4 is a rear elevational view thereof. FIG. 5 is a left side elevational view thereof. FIG. 6 is a right side elevational view thereof; and, FIG. 7 is a top plan view thereof. The broken lines in the figures depict environmental features that form no part of the claimed design.

(56) **References Cited**

U.S. PATENT DOCUMENTS

3,324,639 A 6/1967 Halls et al.
4,392,339 A * 7/1983 Berlivet A01D 57/30
56/13.6
D271,398 S * 11/1983 McCanse D15/27
4,739,609 A 4/1988 Meier et al.
D316,101 S * 4/1991 McCanse D15/27
D344,738 S * 3/1994 Young D15/27

1 Claim, 7 Drawing Sheets



(56)

References Cited

U.S. PATENT DOCUMENTS

6,093,099	A	7/2000	Groff	
D435,564	S *	12/2000	Klasson	D15/17
D445,432	S *	7/2001	Bickford	D15/27
6,508,050	B1 *	1/2003	Krone	A01D 57/30 56/192
6,681,553	B2 *	1/2004	Ferree	A01D 34/667 56/13.6
D501,215	S *	1/2005	Steele	D15/17
D547,332	S *	7/2007	Degelman	D15/17
7,784,255	B2 *	8/2010	Moore, Jr.	A01D 75/306 56/320.1
D660,875	S *	5/2012	Mabey	D15/17
D670,315	S *	11/2012	Fraley	D15/14
D719,981	S *	12/2014	Miller	D15/17
2004/0221562	A1	11/2004	Snider	
2004/0237489	A1 *	12/2004	Neuerburg	A01D 34/664 56/6
2009/0071116	A1 *	3/2009	Barnett	A01D 43/10 56/153
2009/0293439	A1	12/2009	Phillips	
2011/0005181	A1	1/2011	Barnett et al.	

2011/0047948	A1	3/2011	Thompson	
2011/0302897	A1	12/2011	Hoffman et al.	
2014/0053522	A1 *	2/2014	Kolegaev	A01B 63/22 56/14.5
2015/0230405	A1 *	8/2015	Rosenbalm	A01D 57/00 56/153
2016/0157425	A1	6/2016	Jespersen	

FOREIGN PATENT DOCUMENTS

EP		0945051	B1	7/2003
EP		1321027	B1	2/2008
WO	WO 2014/166802	A1		10/2014
WO	WO 2015/097230	A1		7/2015

OTHER PUBLICATIONS

International Search Report from Patent Application No. PCT/EP2014/056667, dated Jun. 30, 2014, in 2 pages.
 Extended European Search Report in Application No. 13199340.4, dated Jul. 1, 2014, in 7 pages.

* cited by examiner

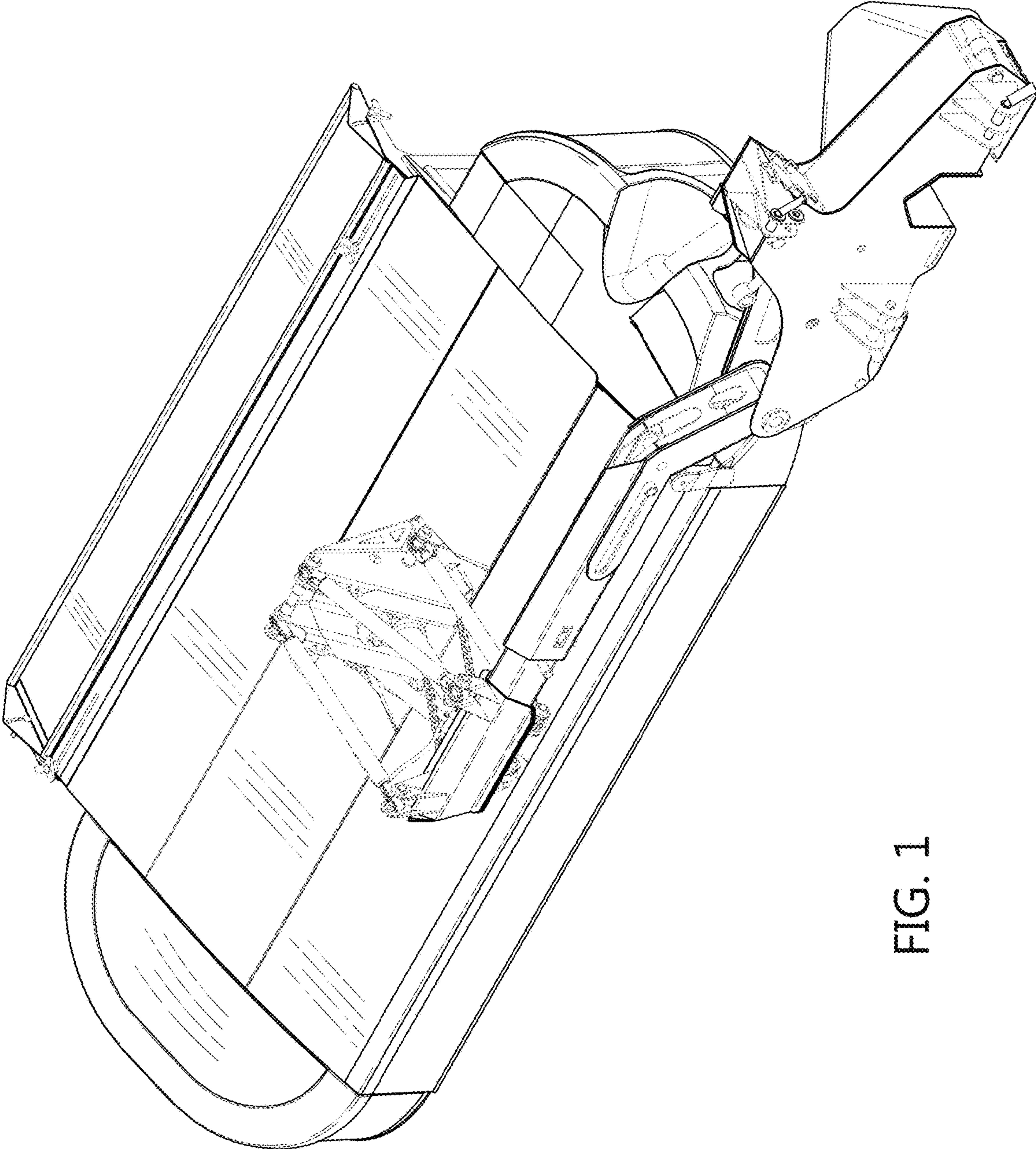


FIG. 1

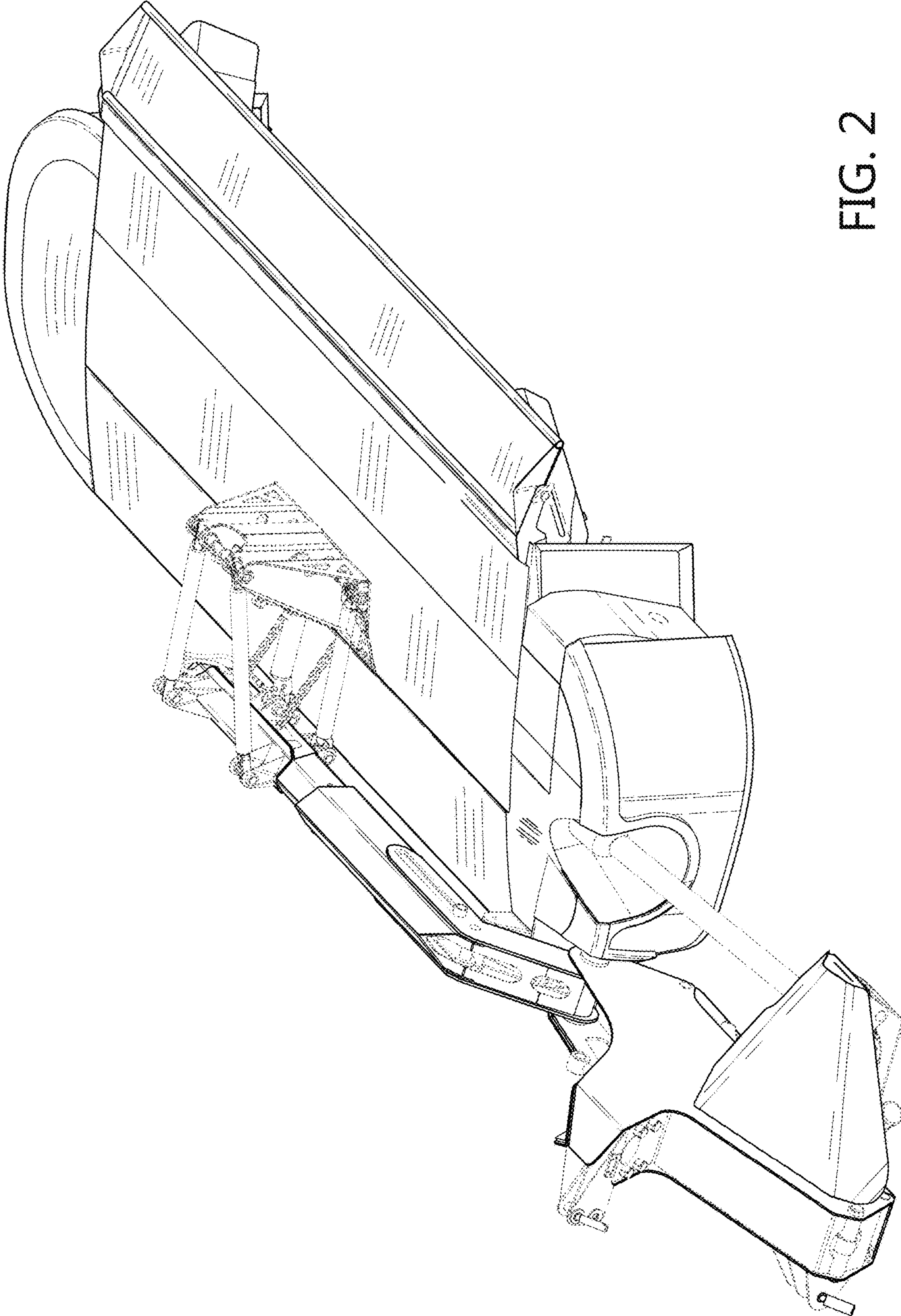


FIG. 2

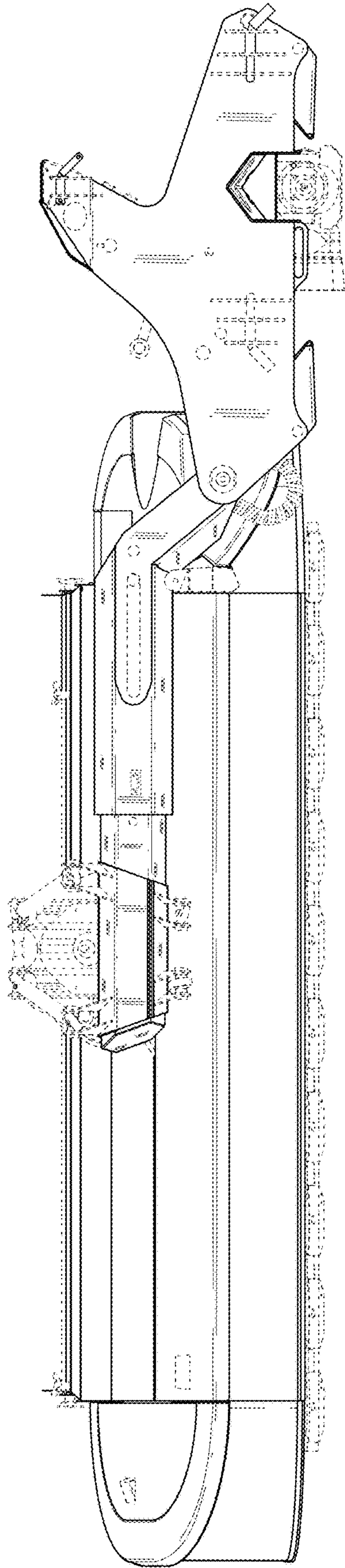


FIG. 3

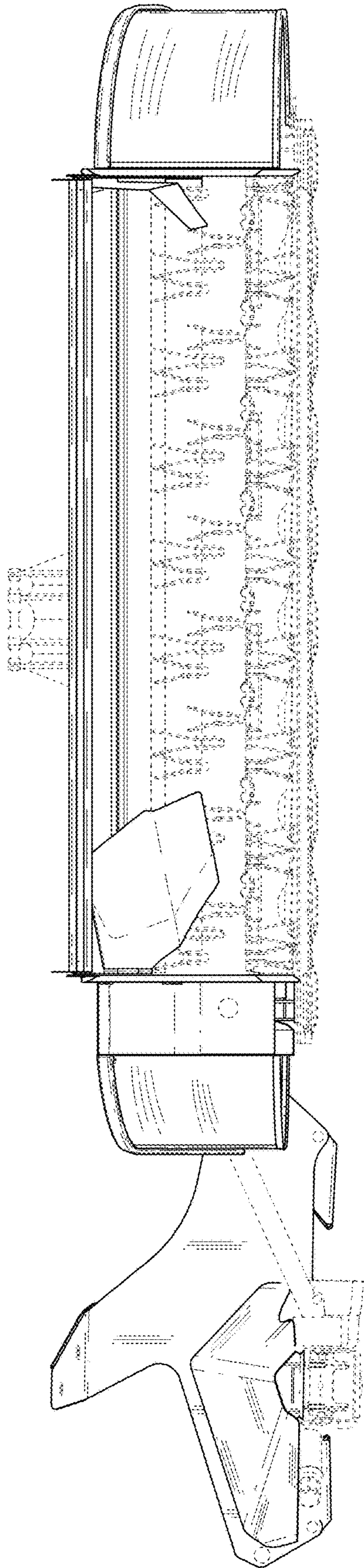


FIG. 4

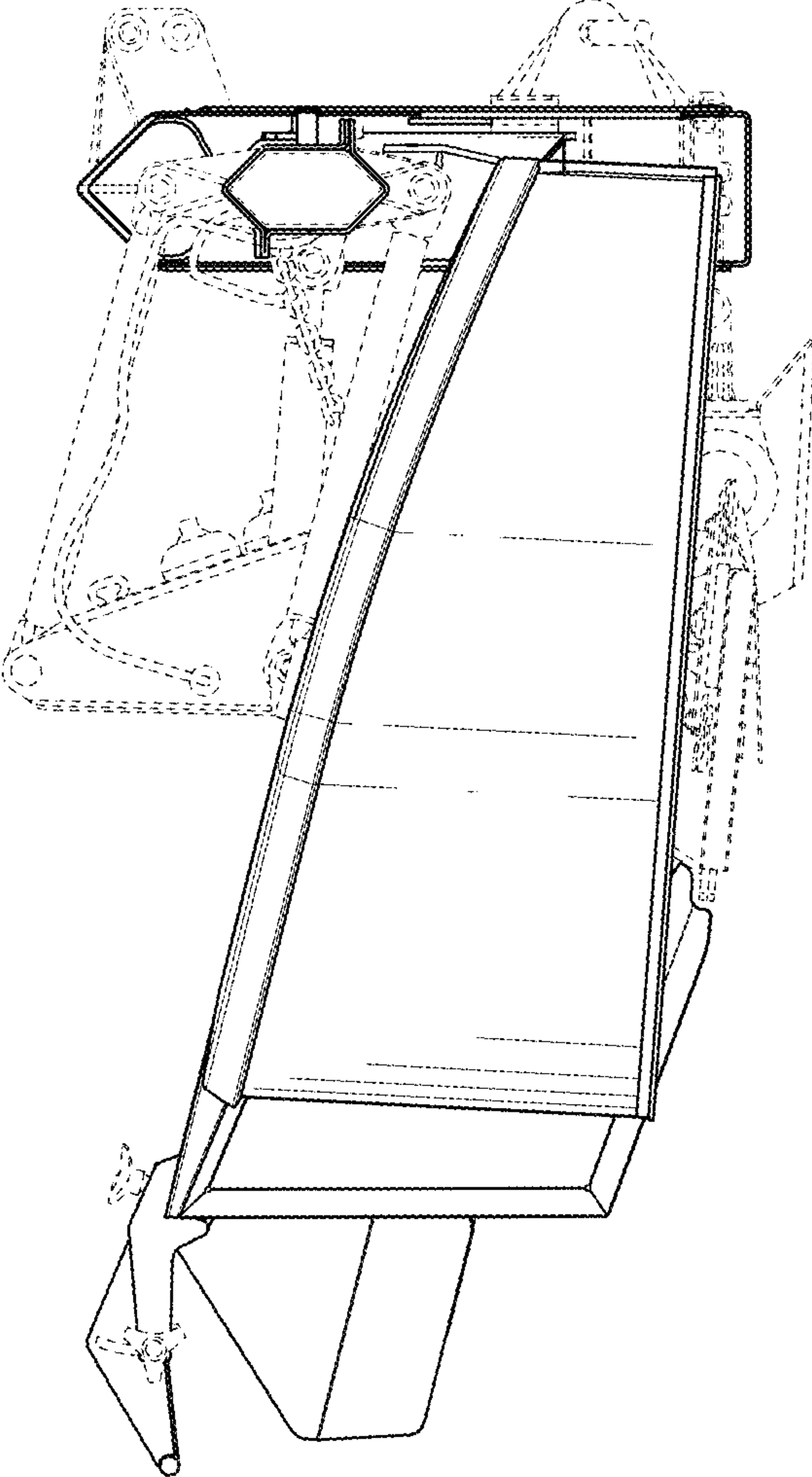


FIG. 5

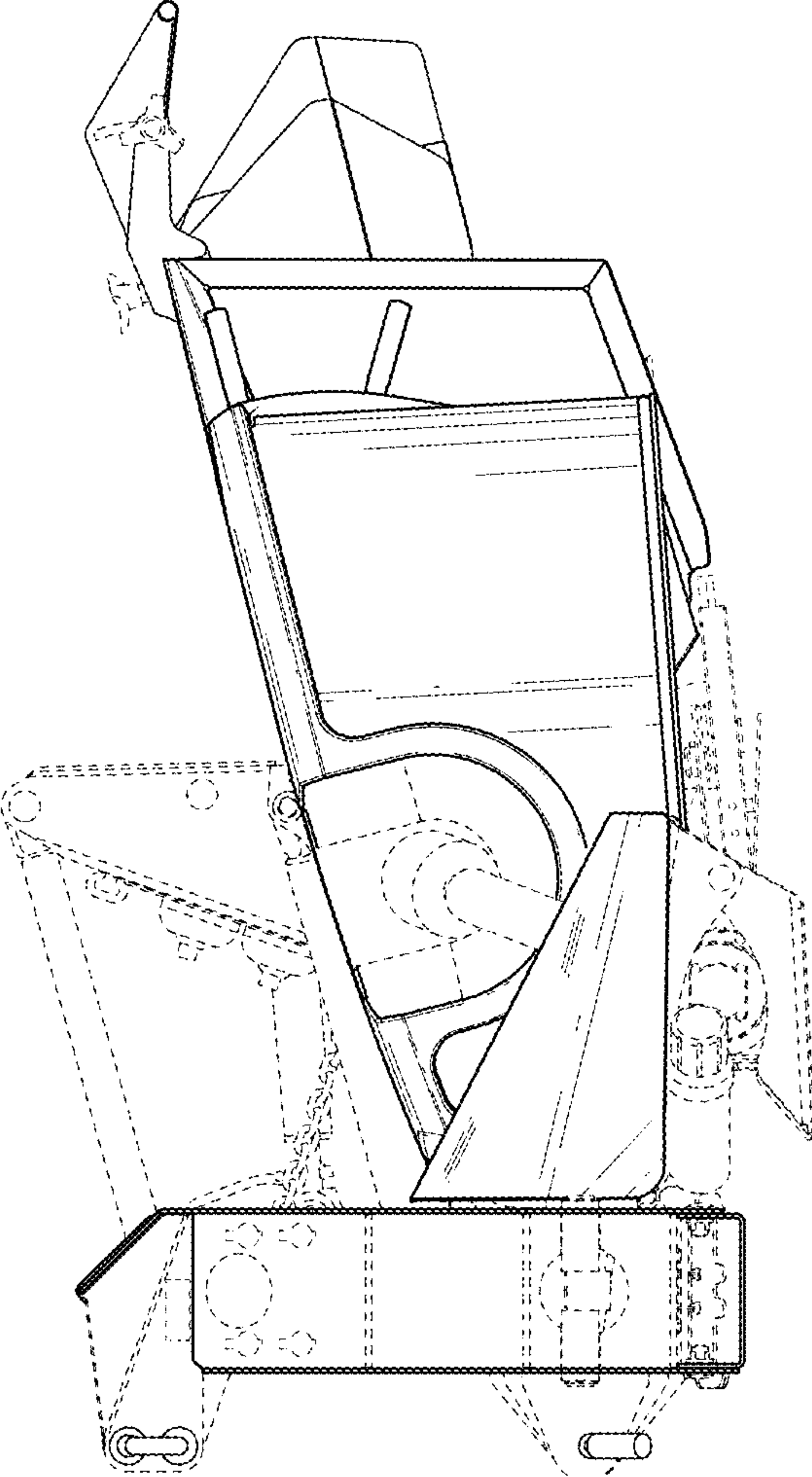


FIG. 6

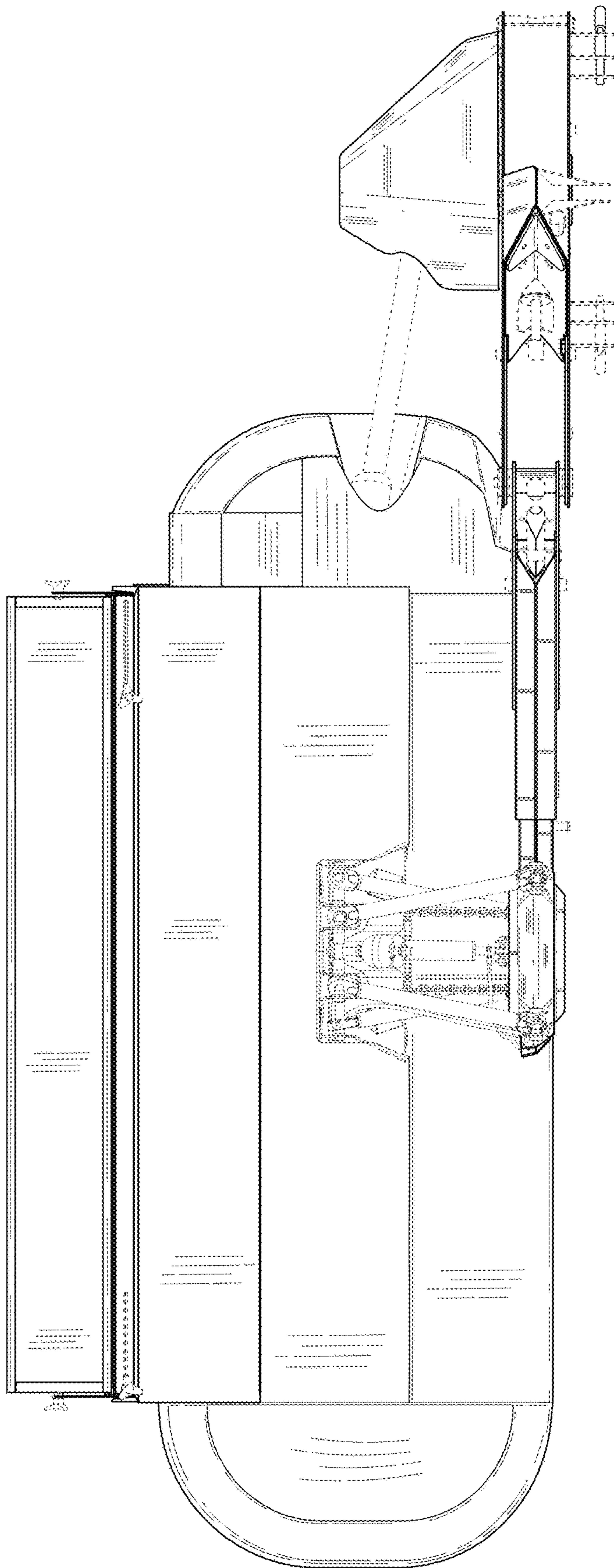


FIG. 7