



US00D800179S

(12) **United States Design Patent**
Nielsen

(10) **Patent No.:** **US D800,179 S**

(45) **Date of Patent:** **** Oct. 17, 2017**

- (54) **MOWER UNIT**
- (71) Applicant: **KVERNELAND GROUP**
KERTEMINDE AS, Kerteminde (DK)
- (72) Inventor: **Rasmus Elmelund Nielsen, Gudbjerg**
(DK)
- (73) Assignee: **KVERNELAND GROUP**
KERTEMINDE AS, Kerteminde (DK)

6,052,980 A * 4/2000 Friesen A01D 34/664
56/16.9
D424,071 S * 5/2000 Bickford D15/17
6,058,688 A * 5/2000 Krambeck A01D 61/008
56/10.2 R
6,093,099 A 7/2000 Groff
D435,564 S * 12/2000 Klasson D15/17
(Continued)

(**) Term: **15 Years**

(21) Appl. No.: **29/580,970**

(22) Filed: **Oct. 14, 2016**

(30) **Foreign Application Priority Data**

Apr. 15, 2016 (EM) 003070929

(51) **LOC (10) Cl.** **15-03**

(52) **U.S. Cl.**
USPC **D15/14; D15/17**

(58) **Field of Classification Search**
USPC D15/17, 10, 14, 16; 56/14.9, 14.5, 153,
56/192, 6, 15.5, 189
CPC A01D 34/664; A01D 34/66; A01D 34/667;
A01D 34/81; A01D 34/661; A01D
34/668; A01D 61/004
See application file for complete search history.

(56) **References Cited**

U.S. PATENT DOCUMENTS

3,324,639 A 6/1967 Halls et al.
4,392,339 A * 7/1983 Berlivet A01D 57/30
56/13.6
D271,398 S * 11/1983 McCanse D15/27
4,739,609 A 4/1988 Meier et al.
D316,101 S * 4/1991 McCanse D15/27
D344,738 S * 3/1994 Young D15/27
D379,822 S * 6/1997 Kishi D15/17
D394,662 S * 5/1998 Grow D15/17

FOREIGN PATENT DOCUMENTS

DE 29614199 U1 10/1996
EP 0593377 A1 4/1994
(Continued)

OTHER PUBLICATIONS

U.S. Appl. No. 14/782,917, Mower and Swathing Unit, filed Oct. 7, 2015.

(Continued)

Primary Examiner — Mark Goodwin
(74) *Attorney, Agent, or Firm* — Knobbe Martens Olson & Bear LLP

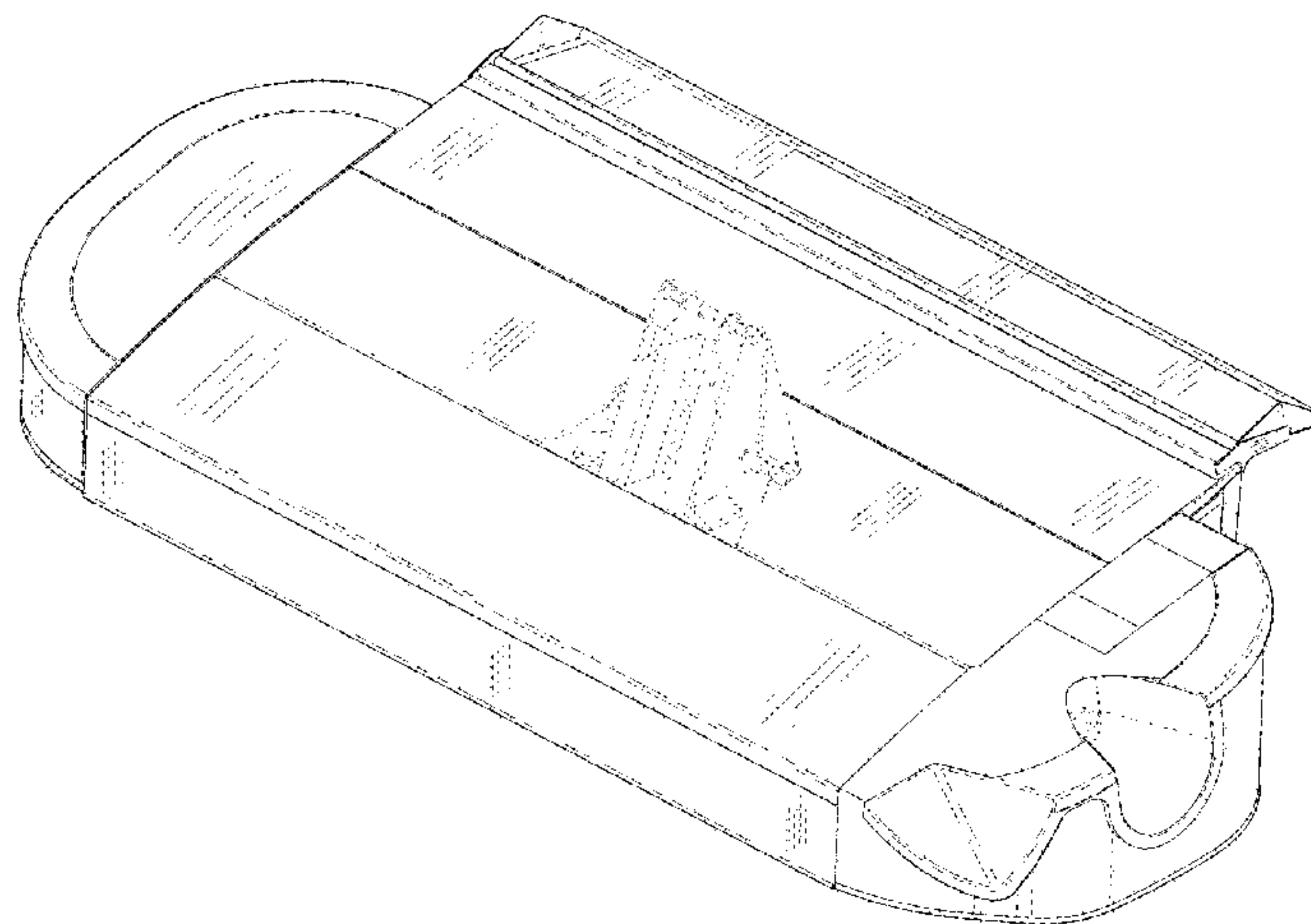
(57) **CLAIM**

The ornamental design for a mower unit, as shown and described.

DESCRIPTION

FIG. 1 is a front isometric view of a mower unit, showing my new design.
FIG. 2 is a rear isometric view thereof.
FIG. 3 is a front elevational view thereof.
FIG. 4 is a rear elevational view thereof.
FIG. 5 is a left side elevational view thereof.
FIG. 6 is a right side elevational view thereof; and,
FIG. 7 is a top plan view thereof.
The broken lines in the figures depict environmental features that form no part of the claimed design.

1 Claim, 7 Drawing Sheets



(56)

References Cited

U.S. PATENT DOCUMENTS

D445,432 S * 7/2001 Bickford D15/27
 6,508,050 B1 * 1/2003 Krone A01D 57/30
 56/192
 6,681,553 B2 * 1/2004 Ferree A01D 34/667
 56/13.6
 D501,215 S * 1/2005 Steele D15/17
 D547,332 S * 7/2007 Degelman D15/17
 7,784,255 B2 * 8/2010 Moore, Jr. A01D 75/306
 56/320.1
 D660,875 S * 5/2012 Mabey D15/17
 D670,315 S * 11/2012 Fraley D15/14
 D719,981 S * 12/2014 Miller D15/17
 2004/0221562 A1 11/2004 Snider
 2004/0237489 A1 * 12/2004 Neuerburg A01D 34/664
 56/6
 2009/0071116 A1 * 3/2009 Barnett A01D 43/10
 56/153
 2009/0293439 A1 12/2009 Phillips
 2011/0047948 A1 3/2011 Thompson
 2011/0302897 A1 12/2011 Hoffman et al.
 2014/0053522 A1 * 2/2014 Kolegaev A01B 63/22
 56/14.5
 2015/0230405 A1 * 8/2015 Rosenbalm A01D 57/00
 56/153
 2016/0157425 A1 6/2016 Jespersen

FOREIGN PATENT DOCUMENTS

EP 0945051 B1 7/2003
 EP 1321027 B1 2/2008
 WO WO 2011/005181 A1 1/2011
 WO WO 2014/166802 A1 10/2014
 WO WO 2015/097230 A1 7/2015

OTHER PUBLICATIONS

U.S. Appl. No. 14/906,736, Mower, filed Jan. 21, 2016.
 U.S. Appl. No. 15/106,938, Agricultural Machine, Jun. 21, 2016.
 U.S. Appl. No. 29/580,998, Mounting Hitch With Carrier Arm, filed Oct. 14, 2016.
 U.S. Appl. No. 29/581,040, Mounting Hitch With Carrier Arm and Mower Unit, filed Oct. 14, 2016.
 European Search Report in Patent Application No. EP 13163432, dated Sep. 9, 2013, in 6 pages.
 International Search Report from Patent Application No. PCT/EP2014/056667, dated Jun. 30, 2014, in 2 pages.
 Extended European Search Report in Application No. 13199340.4, dated Jul. 1, 2014, in 7 pages.

* cited by examiner

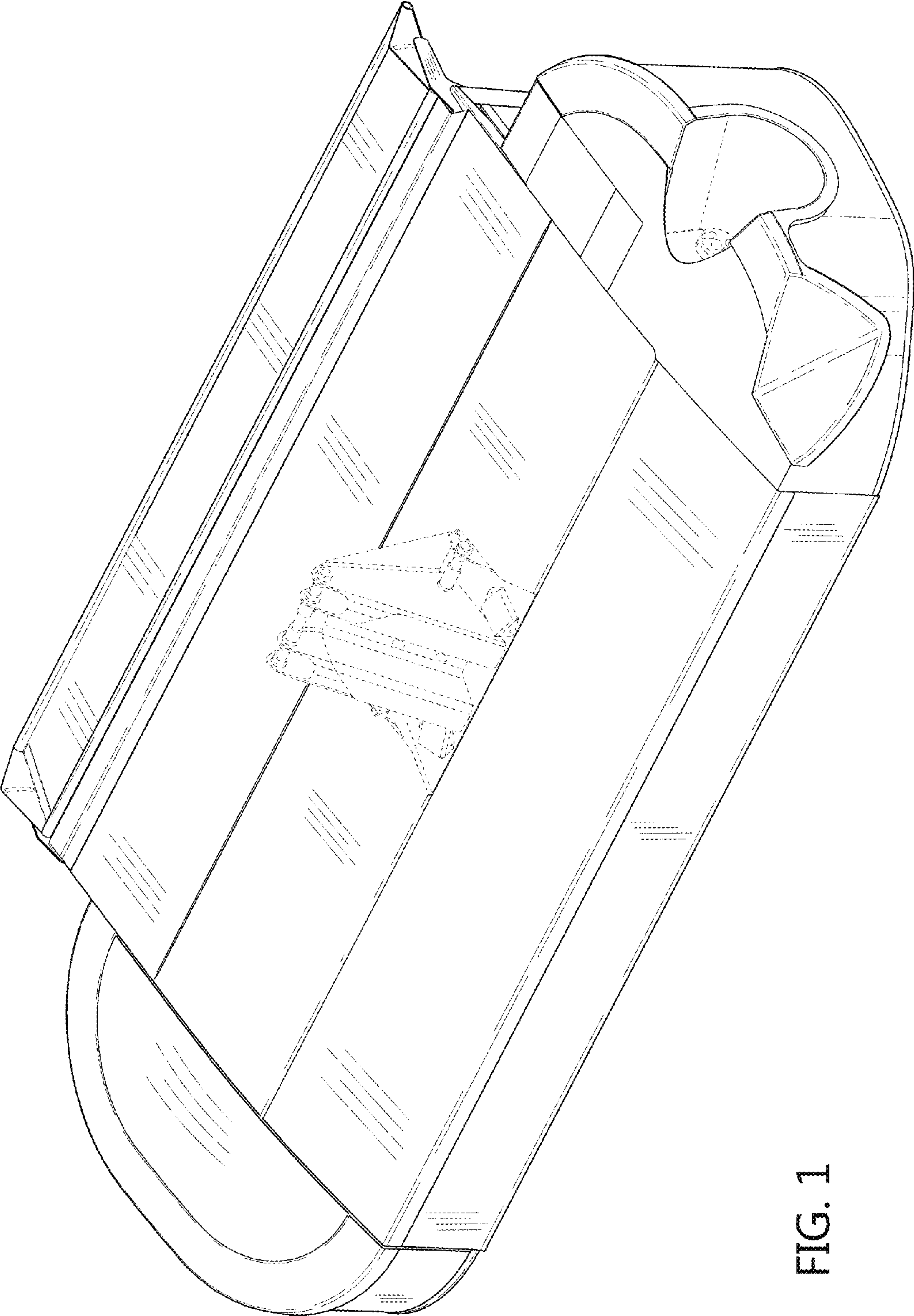


FIG. 1

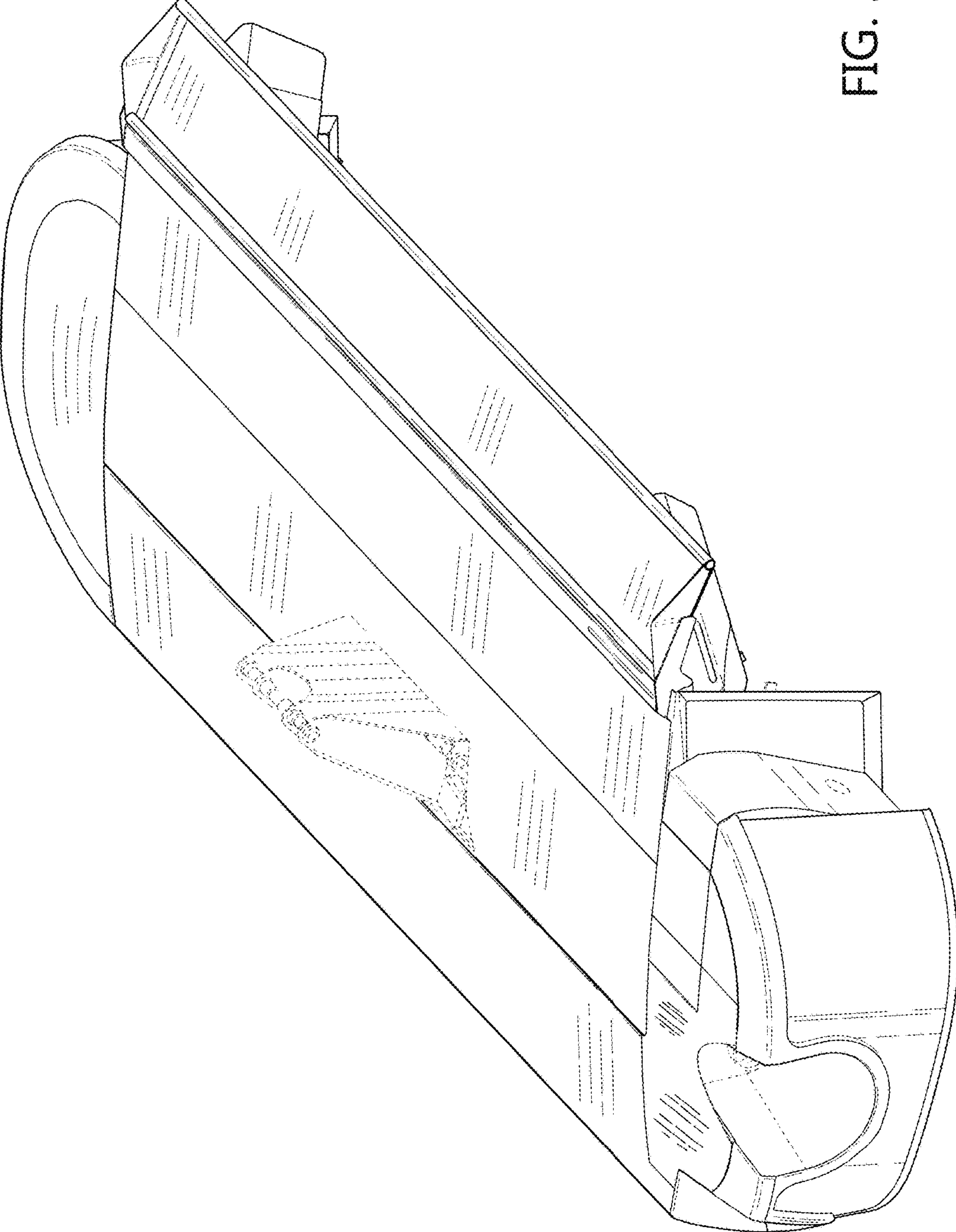


FIG. 2

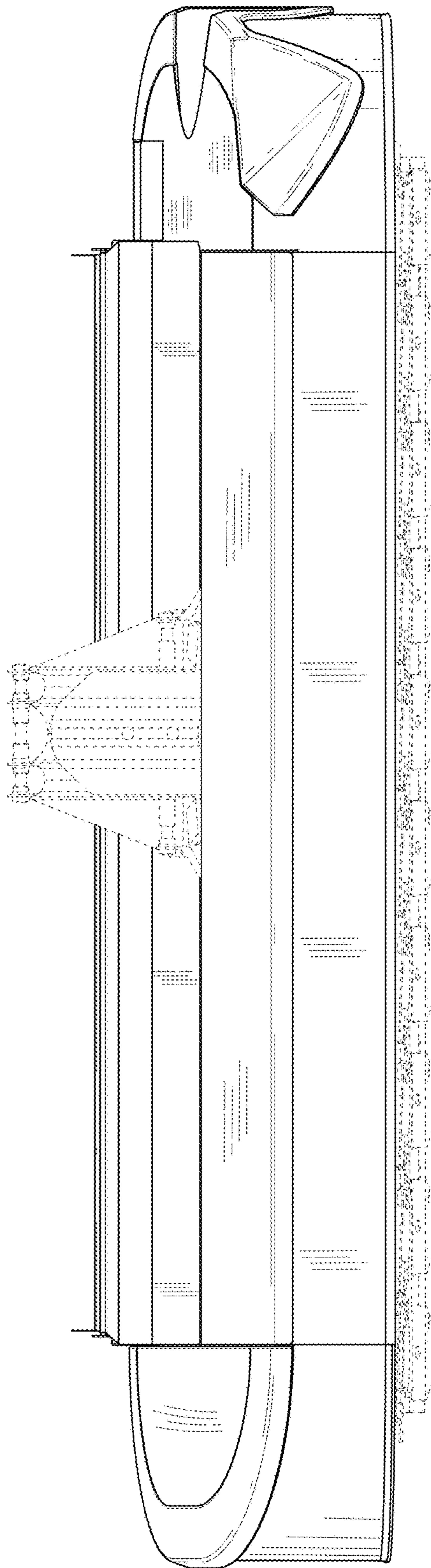


FIG. 3

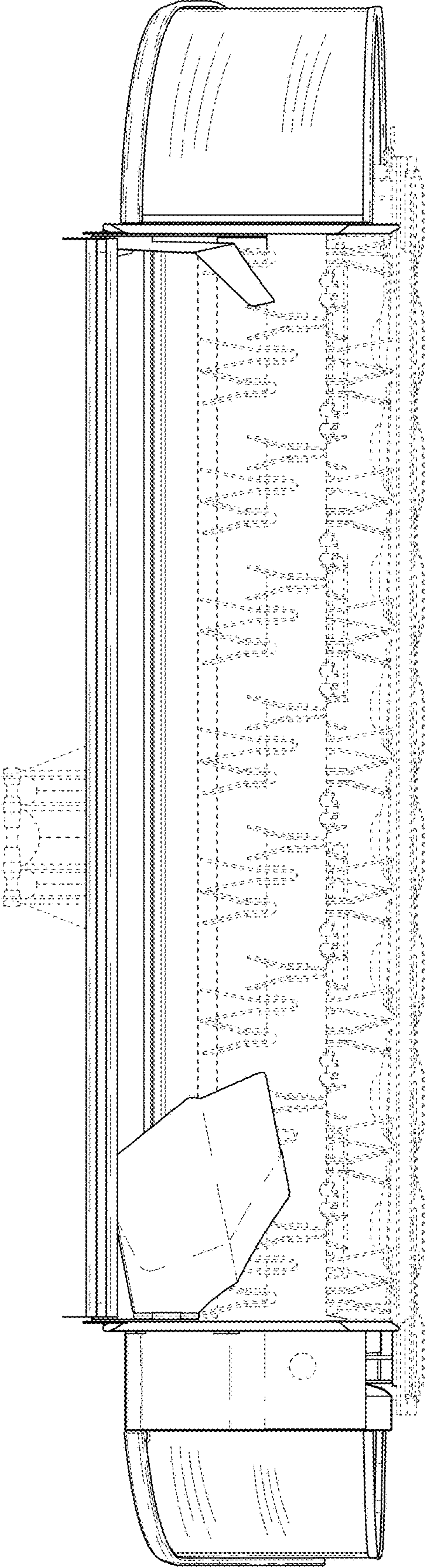


FIG. 4

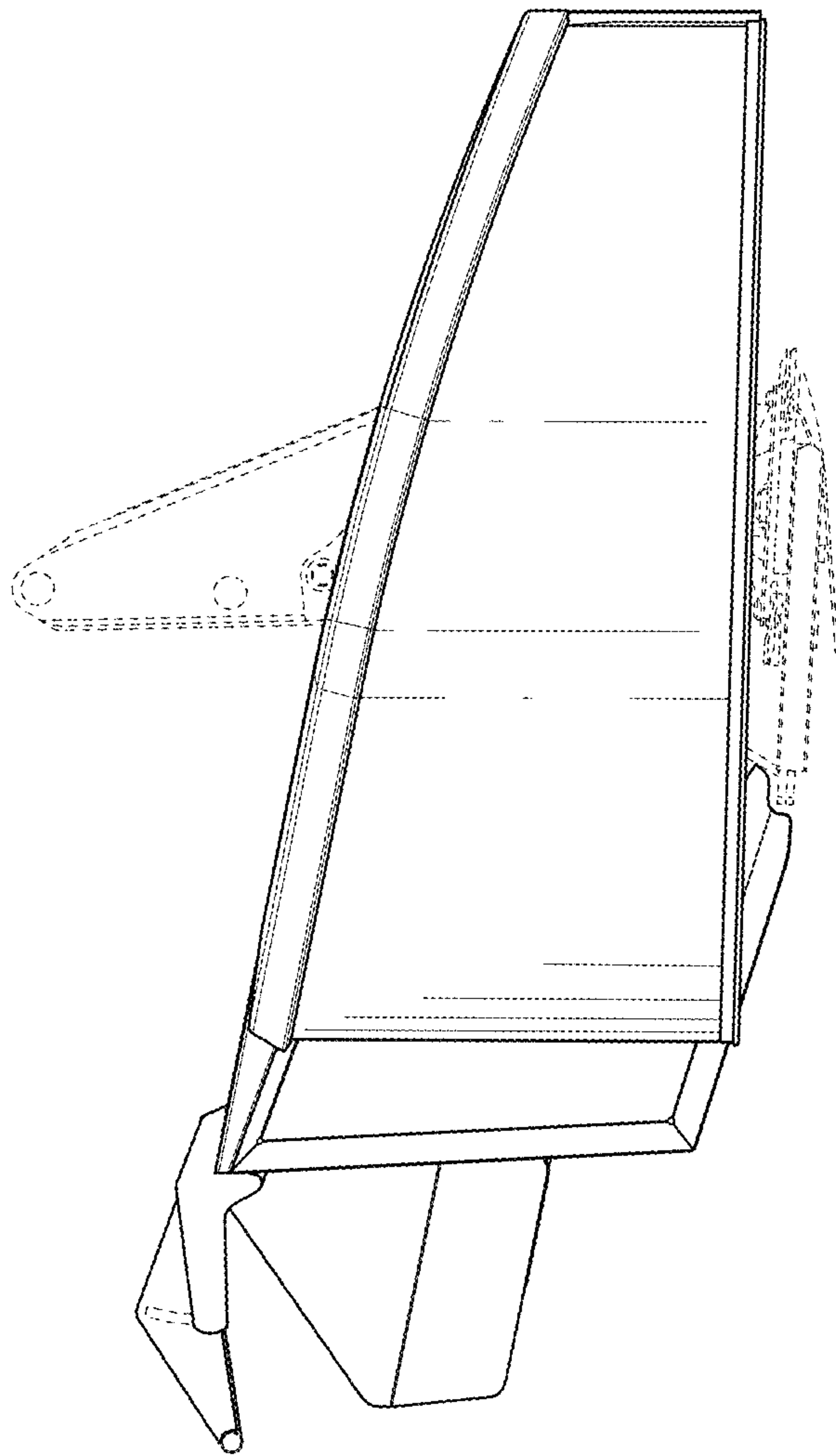


FIG. 5

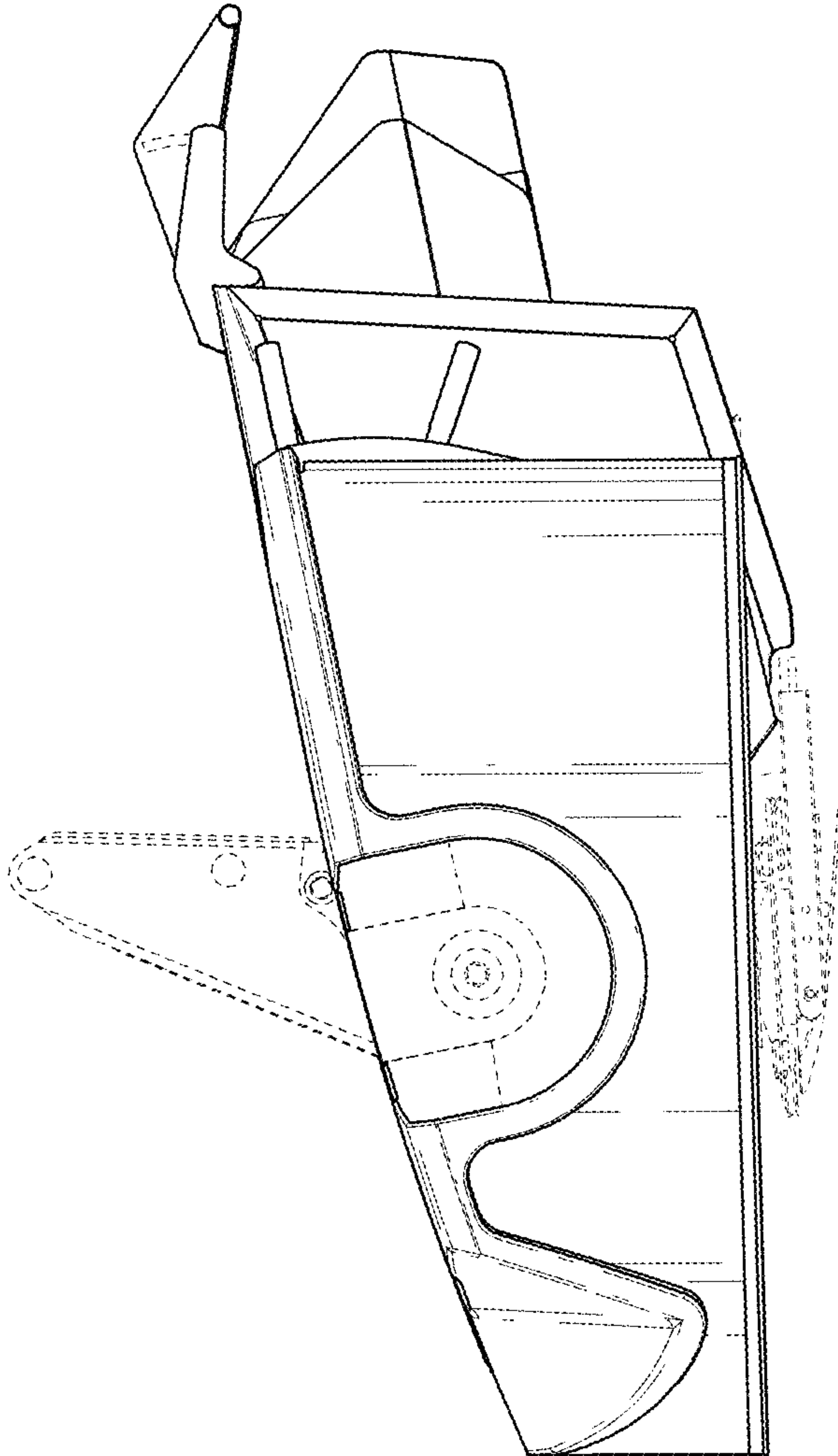


FIG. 6

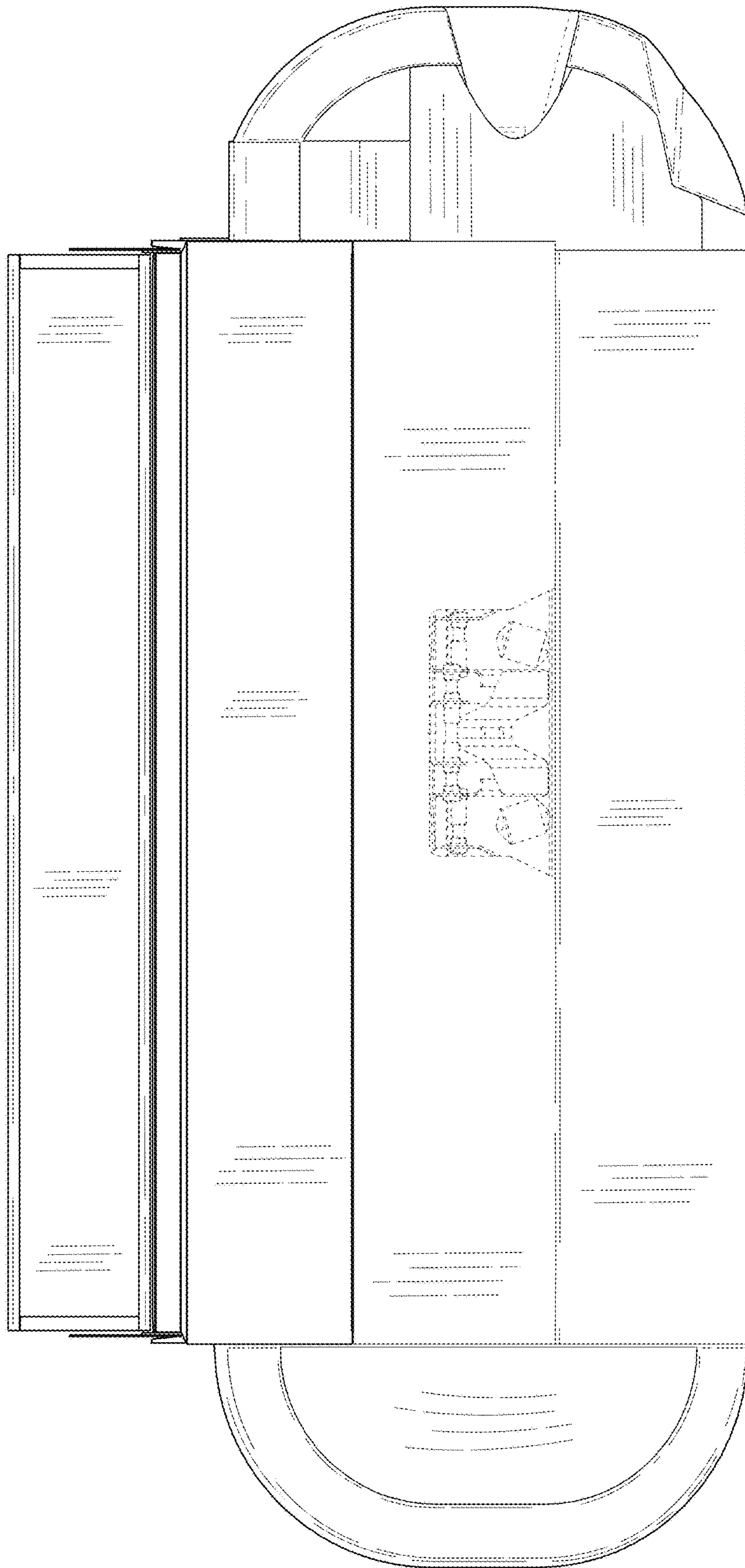


FIG. 7