



US00D800178S

(12) **United States Design Patent** (10) **Patent No.:** **US D800,178 S**  
**Balma** (45) **Date of Patent:** **\*\* Oct. 17, 2017**

(54) **AIR COMPRESSOR**  
(71) Applicant: **Fini Nuair S.p.A.**, Robassomero (IT)  
(72) Inventor: **Roberto Balma**, Robassomero (IT)  
(73) Assignee: **FINI NUAIR S.P.A.**, Robassomero (IT)  
(\*\*) Term: **15 Years**  
(21) Appl. No.: **29/585,481**  
(22) Filed: **Nov. 23, 2016**

D536,348 S 2/2007 Bass  
D536,708 S 2/2007 Bass  
D566,042 S 4/2008 Yamasaki  
D589,985 S 4/2009 Steinfels  
D593,032 S 5/2009 Wang  
D600,205 S 9/2009 Imai  
D603,872 S 11/2009 Averill  
D604,746 S 11/2009 Nishido  
D680,556 S \* 4/2013 Craig ..... D15/7  
8,727,741 B2 \* 5/2014 Nutz ..... F04B 35/06  
137/565.18  
D710,903 S \* 8/2014 Vintzel ..... D15/9  
D776,168 S \* 1/2017 Balma ..... D15/9

**Related U.S. Application Data**

(62) Division of application No. 29/527,743, filed on May 21, 2015, now Pat. No. Des. 776,168.

**Foreign Application Priority Data**

Nov. 21, 2014 (EM) ..... 002583047

(51) **LOC (10) Cl.** ..... **15-02**

(52) **U.S. Cl.**  
USPC ..... **D15/9**

(58) **Field of Classification Search**

USPC ..... D15/7-9; D23/231, 232, 225; 417/60,  
417/235, 265, 321, 355, 358, 363, 359,  
417/410.1, 415-416, 405, 900, 234;  
60/408, 412; 184/26-37; 415/140-147;  
123/495, 509; 137/565.18  
CPC ..... F04B 41/02; F04B 35/06; F04B 53/00;  
B23K 28/00

See application file for complete search history.

(56) **References Cited**

**U.S. PATENT DOCUMENTS**

D437,581 S 2/2001 Aruga  
D437,825 S 2/2001 Imal  
D461,196 S 8/2002 Buck  
D493,179 S 7/2004 Buck  
D498,483 S 11/2004 Chen

**OTHER PUBLICATIONS**

Requirement for Restriction/Election for U.S. Appl. No. 29/527,743 dated Feb. 16, 2016.

\* cited by examiner

*Primary Examiner* — Ralf Seifert

(74) *Attorney, Agent, or Firm* — Workman Nydegger

(57) **CLAIM**

The ornamental design for the air compressor, as shown and described.

**DESCRIPTION**

FIG. 1 is a top-front-right perspective view of my new design for an air compressor according to the present invention;

FIG. 2 is a top-rear-left perspective view thereof;

FIG. 3 is an elevated front view thereof;

FIG. 4 is an elevated left view thereof;

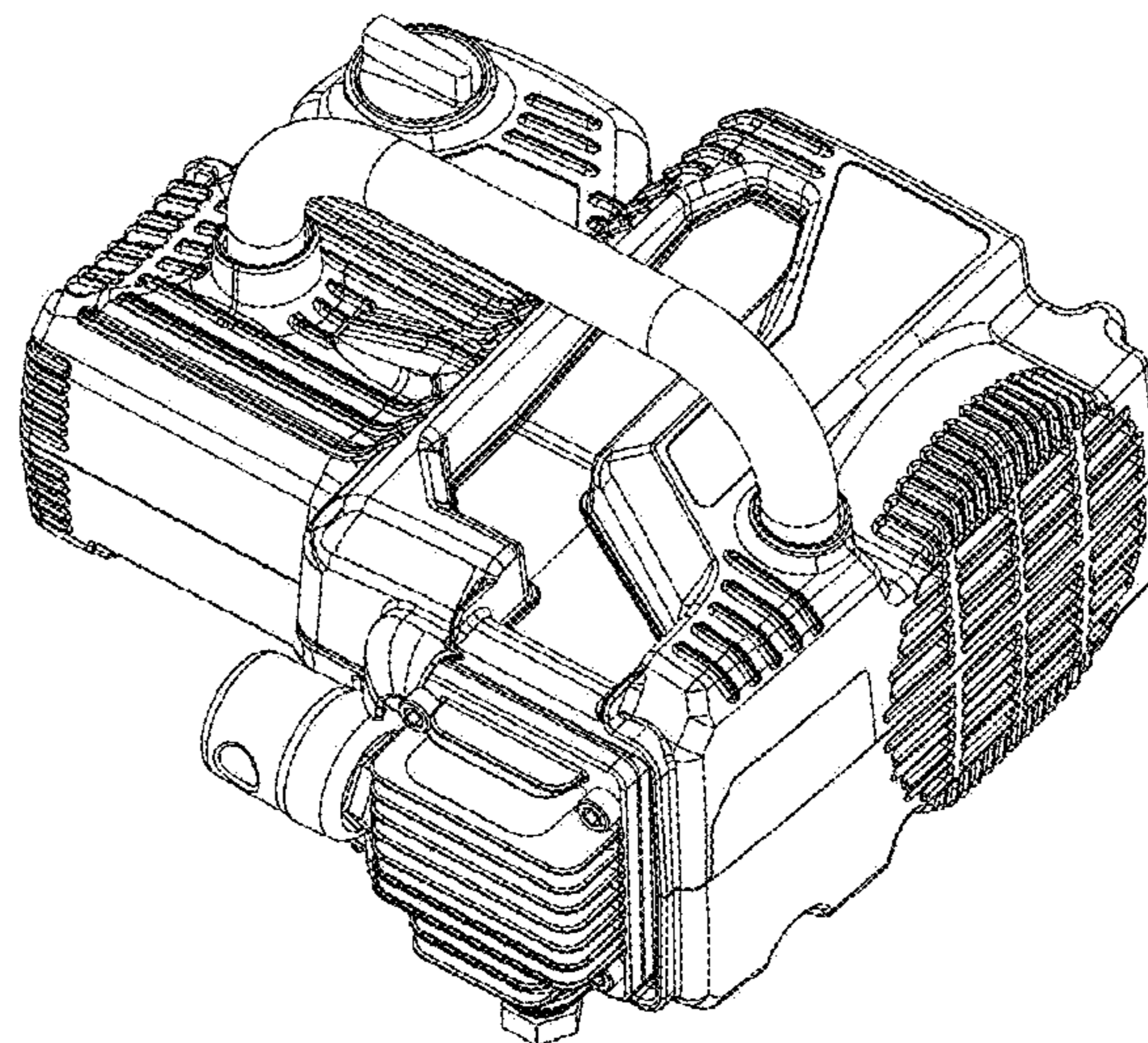
FIG. 5 is an elevated right view thereof;

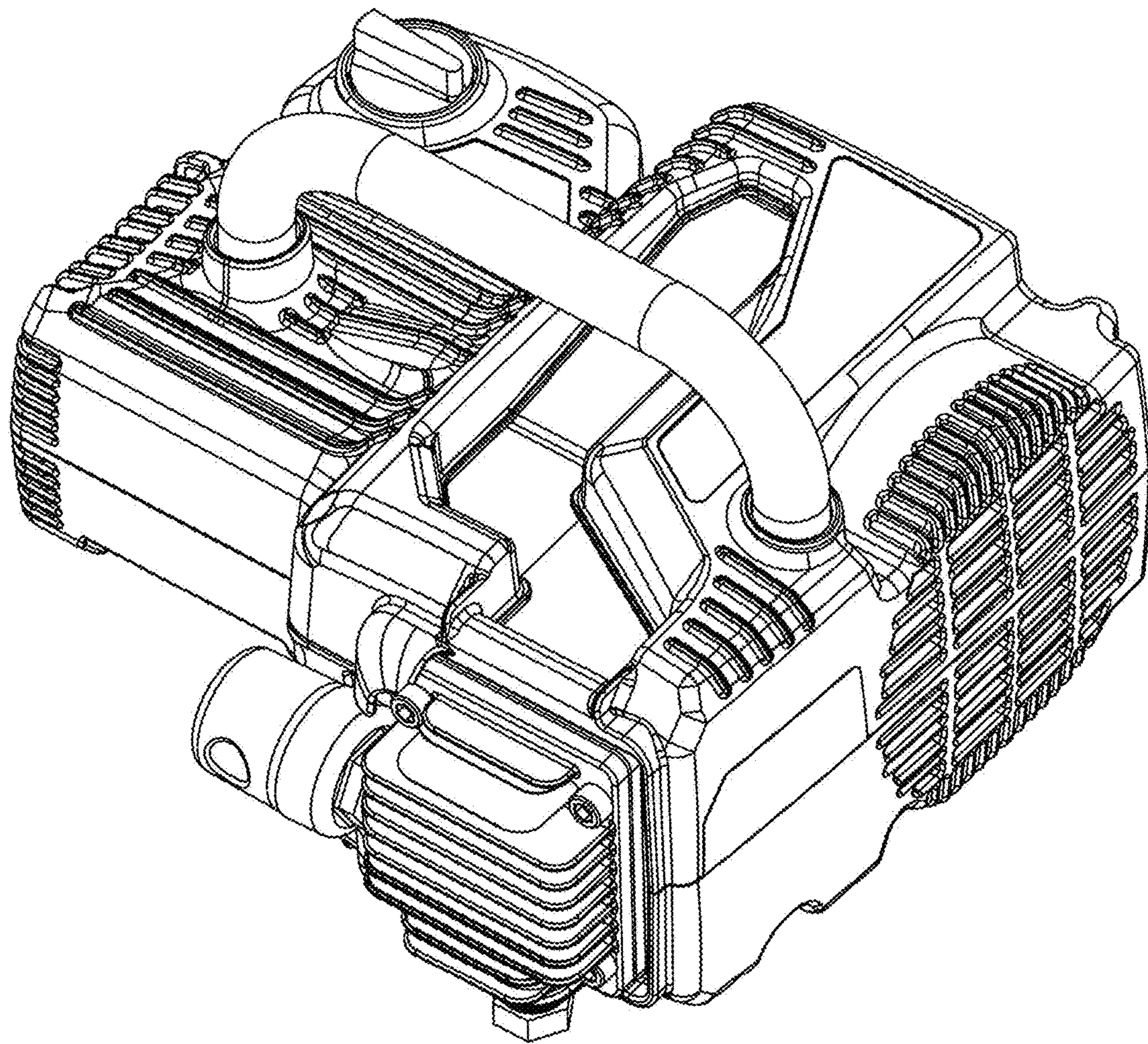
FIG. 6 is an elevated rear view thereof; and,

FIG. 7 is a top plan view thereof.

The broken lines are included for the purpose of illustrating portions of the air compressor that form no part of the claimed design.

**1 Claim, 7 Drawing Sheets**





*Fig. 1*

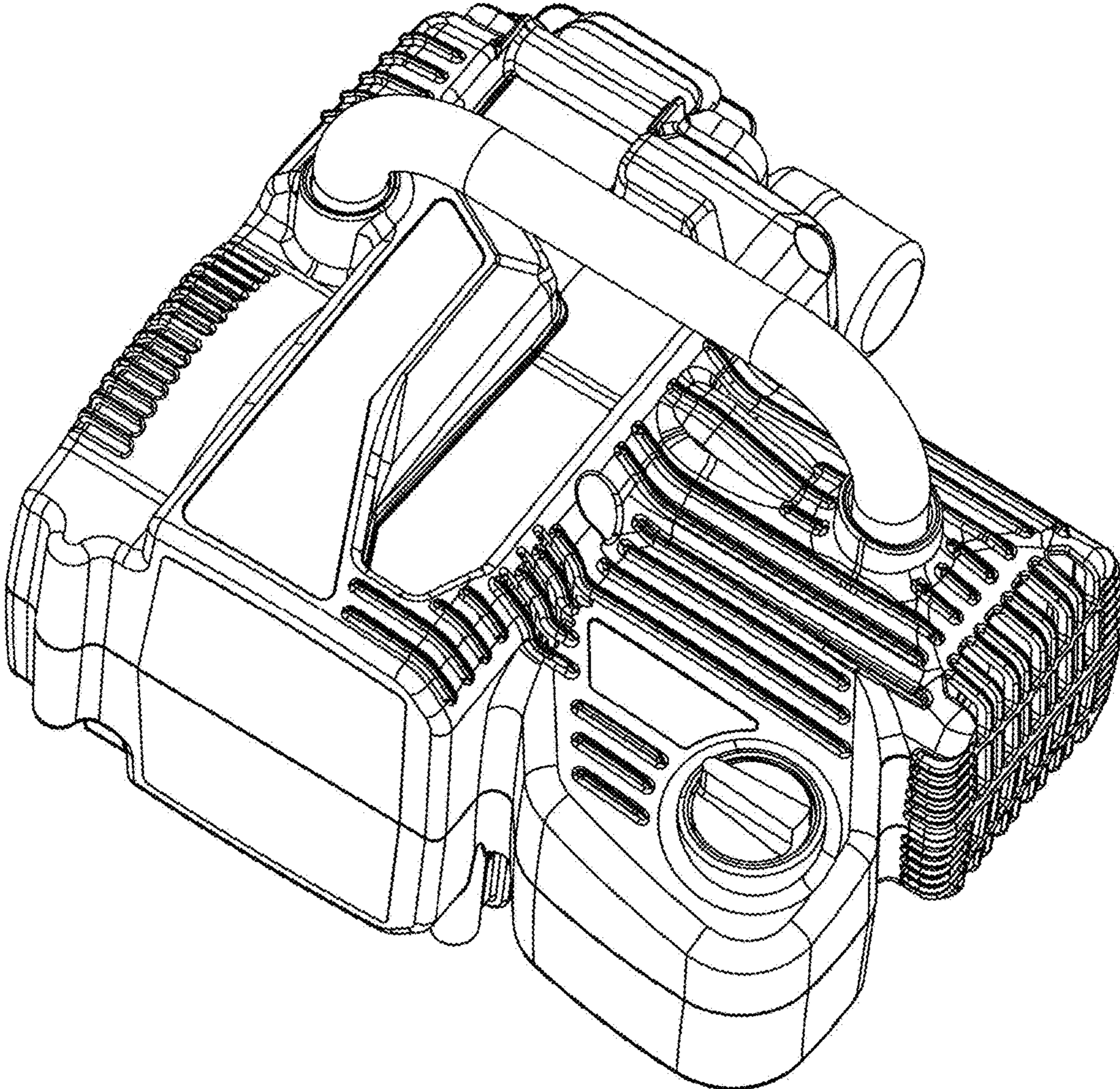


Fig. 2

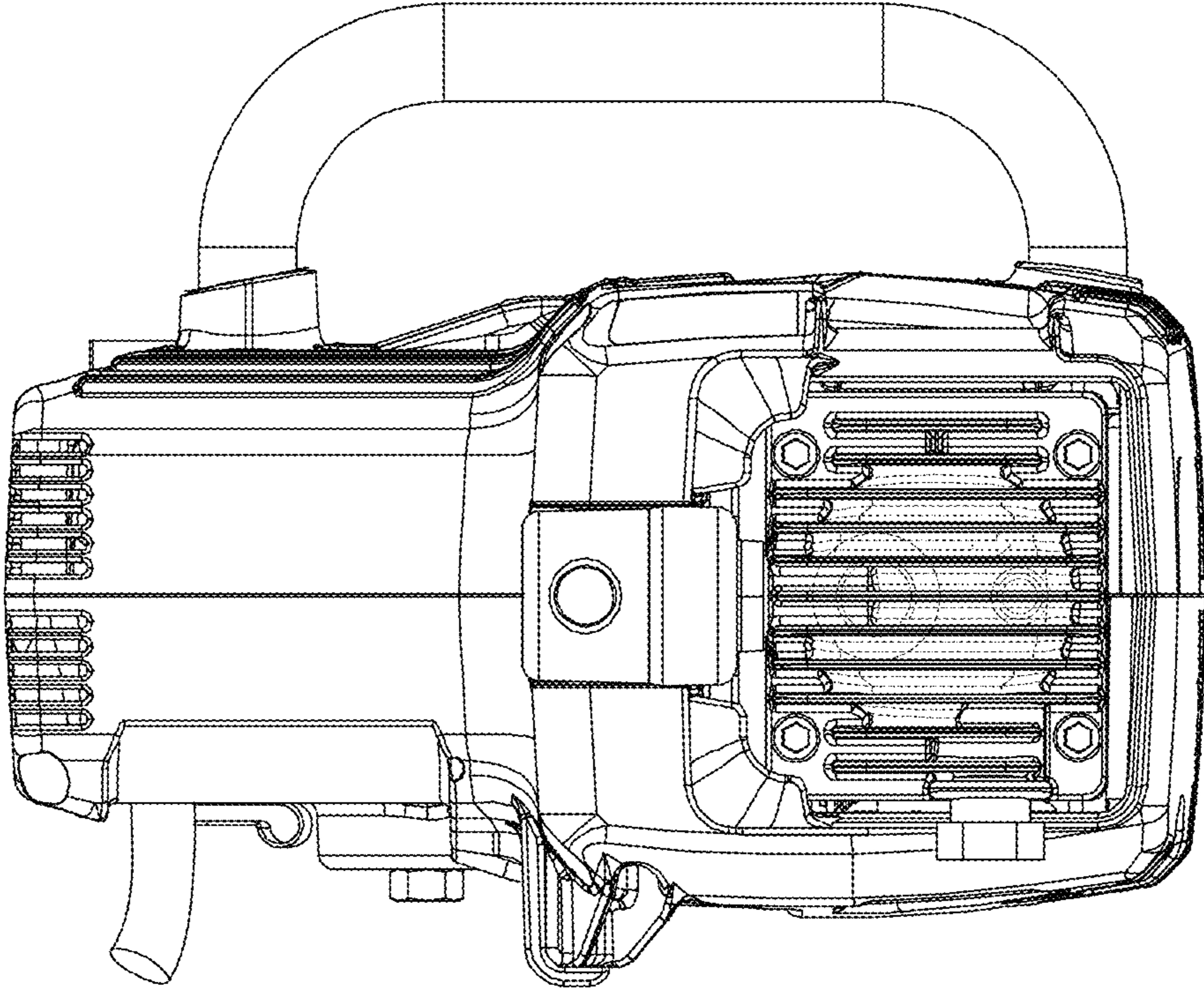


FIG. 3

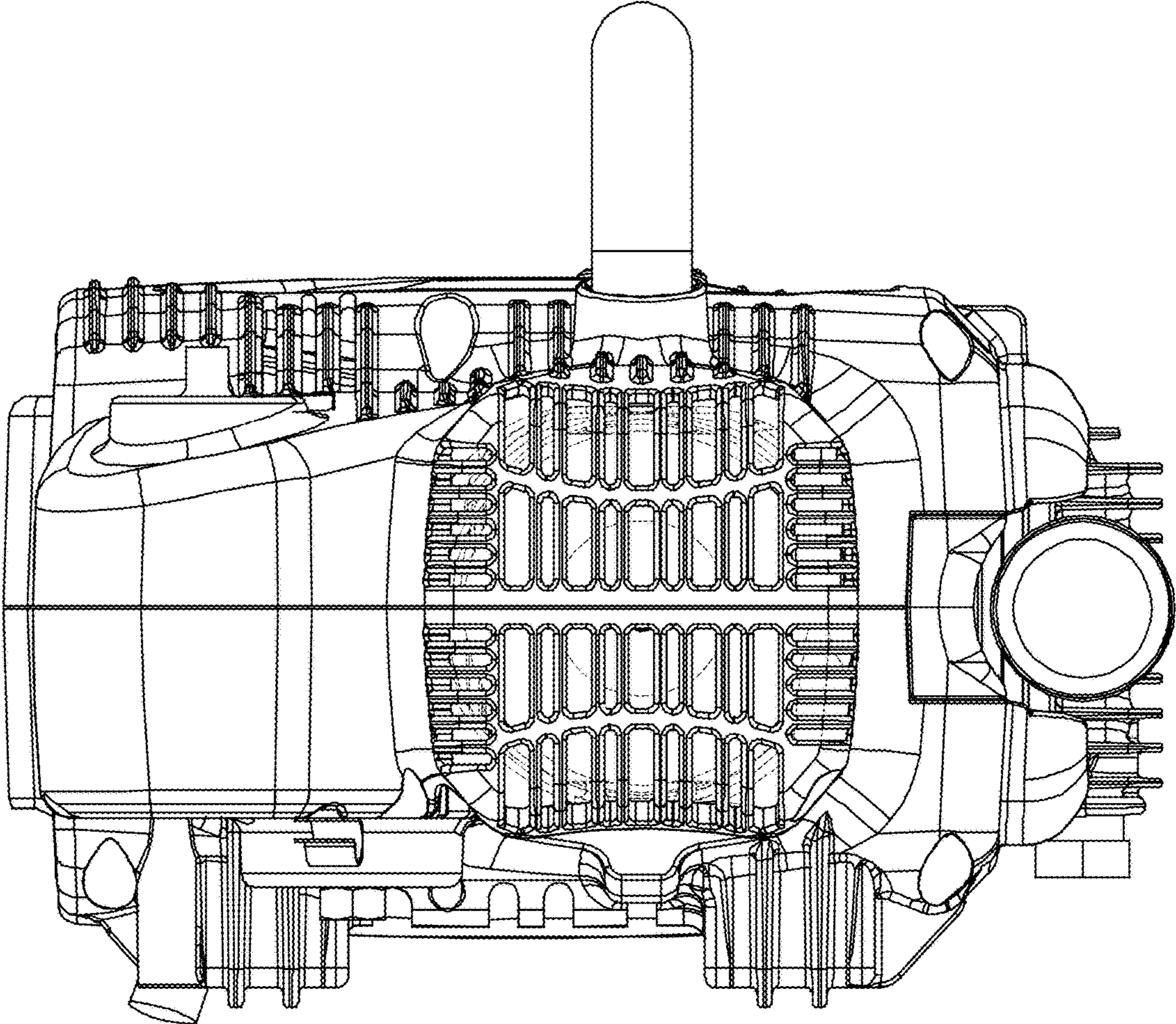


FIG. 4

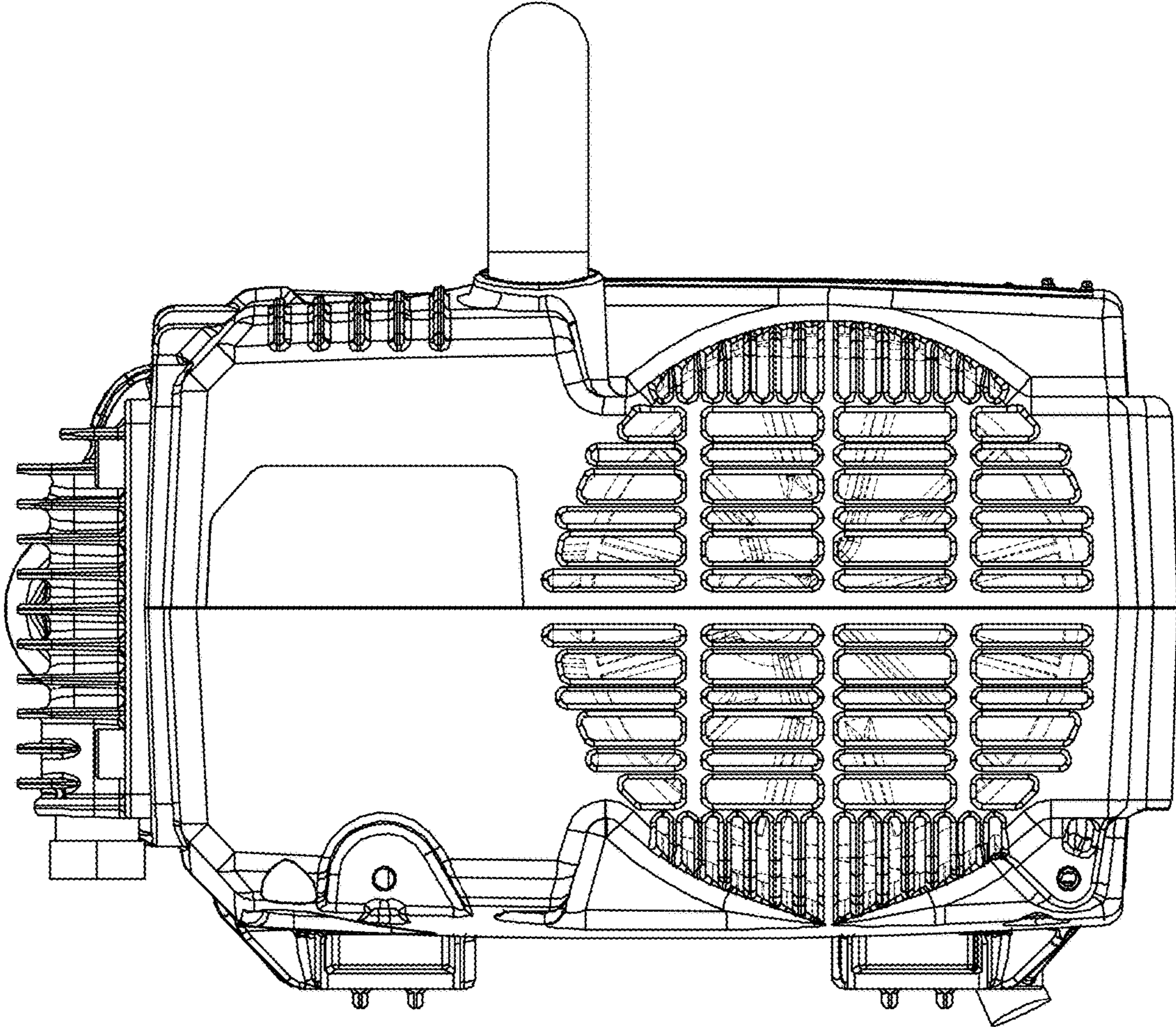
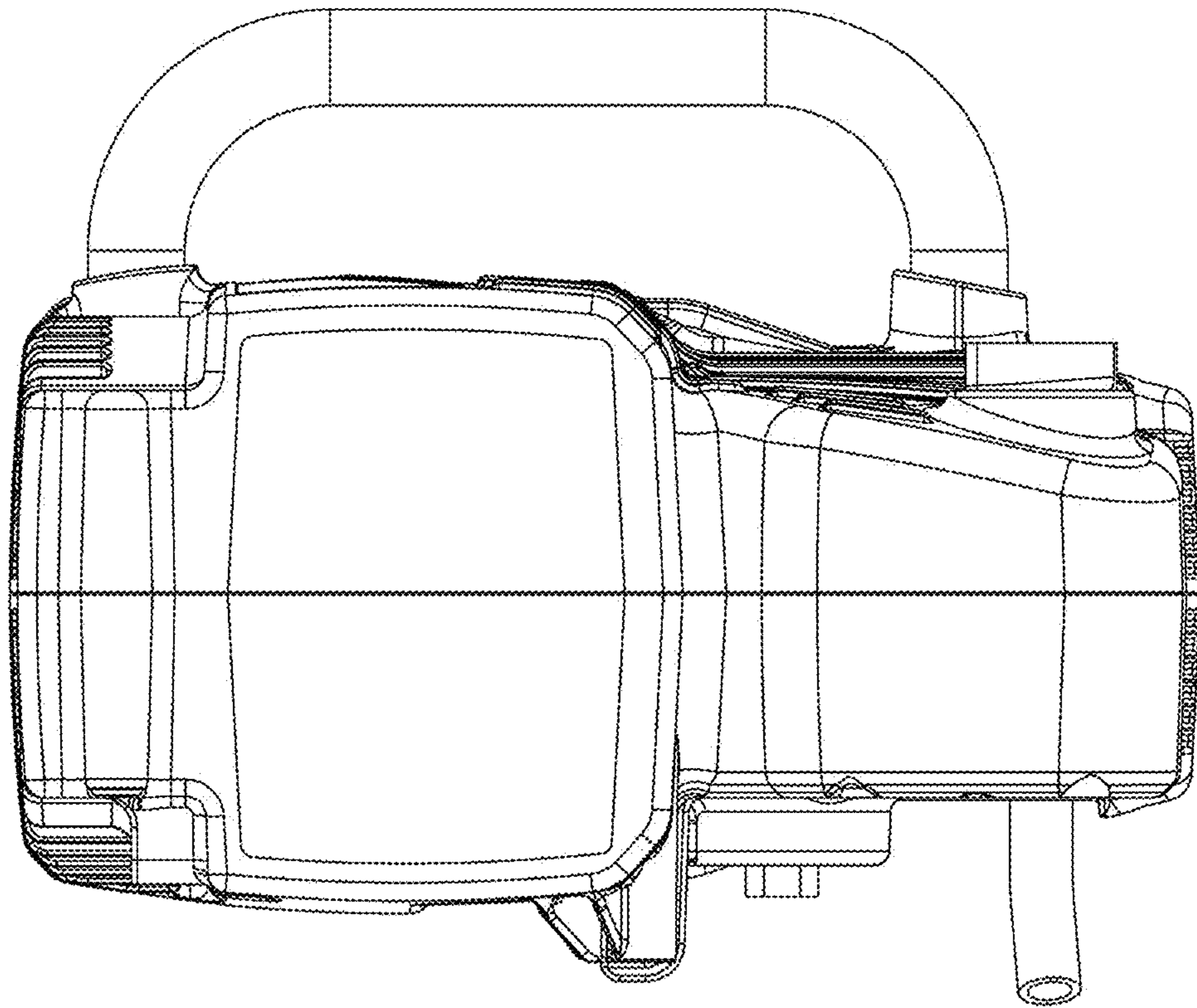


FIG. 5



*Fig. 6*

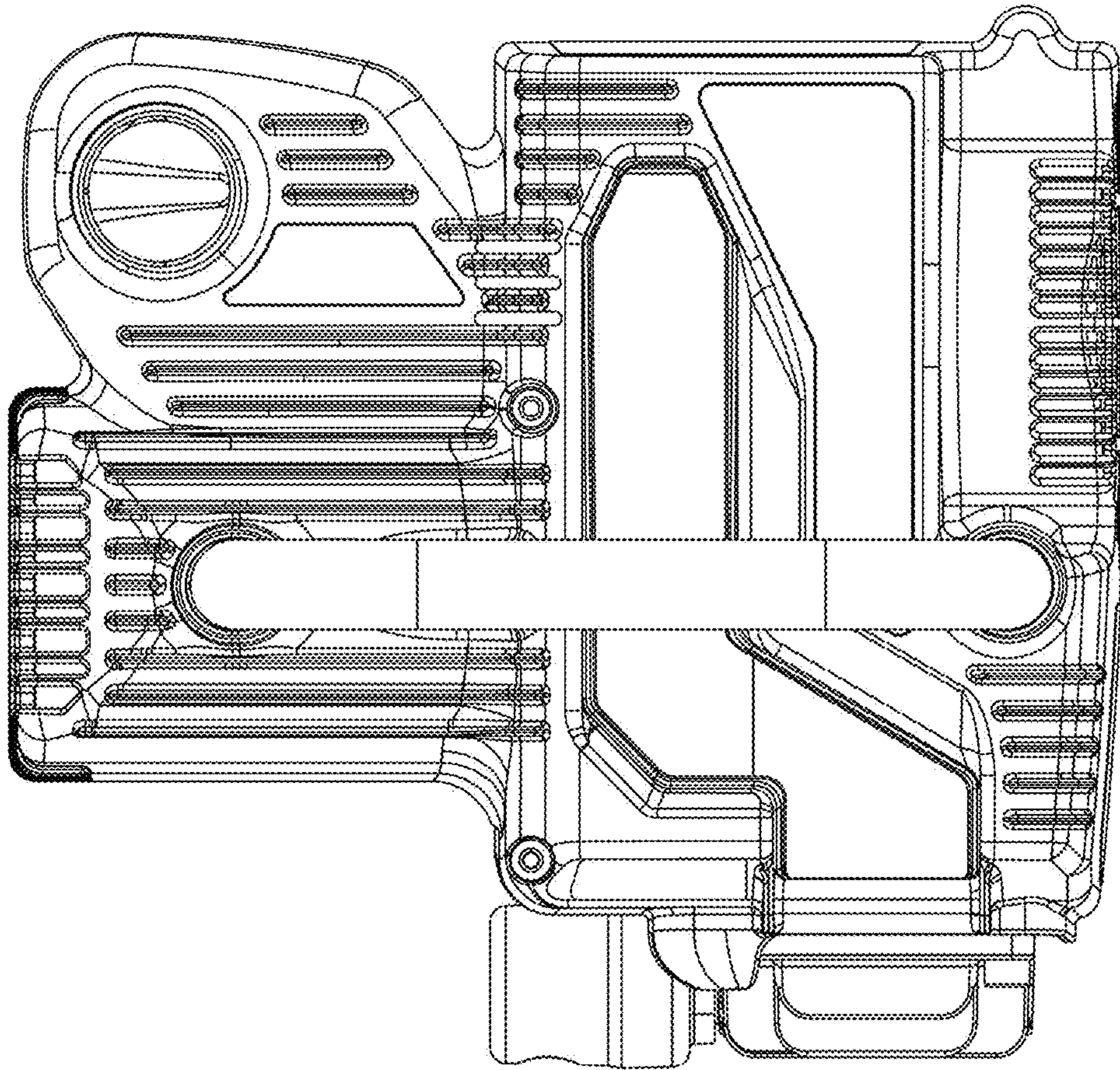


Fig. 7