



US00D800176S

(12) **United States Design Patent** (10) **Patent No.:** **US D800,176 S**
Soto (45) **Date of Patent:** **** Oct. 17, 2017**

(54) **BATTERY POWERED WATER PUMP**

(71) Applicant: **Isaac Soto**, Cypress, TX (US)

(72) Inventor: **Isaac Soto**, Cypress, TX (US)

(**) Term: **15 Years**

(21) Appl. No.: **29/581,578**

(22) Filed: **Oct. 20, 2016**

(51) **LOC (10) Cl.** **15-02**

(52) **U.S. Cl.**
USPC **D15/7**

(58) **Field of Classification Search**
USPC D15/7-9; D23/231, 232, 225; 417/60,
417/235, 265, 321, 355, 358, 363, 359,
417/410.1, 415-416, 405, 900, 234;
60/408, 412; 184/26-37; 415/140-147;
123/495, 509; 137/565.18, 147
CPC F04B 41/02; F04B 35/06; F04B 53/00;
B23K 28/00

See application file for complete search history.

(56) **References Cited**

U.S. PATENT DOCUMENTS

- 3,963,376 A * 6/1976 Miskin F04B 49/04
417/182.5
- D280,902 S * 10/1985 Maruyama D15/7
- D280,991 S * 10/1985 Maruyama D15/7
- D280,992 S * 10/1985 Maruyama D15/7
- 4,552,515 A * 11/1985 Endo B67D 7/0205
137/147
- D283,225 S * 4/1986 Canvasser D15/7
- D295,522 S * 5/1988 Martin D15/7

- D296,103 S * 6/1988 Harvey D15/7
- D299,720 S * 2/1989 Yoo D15/7
- D327,275 S * 6/1992 Sheldon D15/7
- D691,641 S * 10/2013 Landry D15/7

* cited by examiner

Primary Examiner — Ralf Seifert

(74) *Attorney, Agent, or Firm* — Egbert Law Offices,
PLLC

(57) **CLAIM**

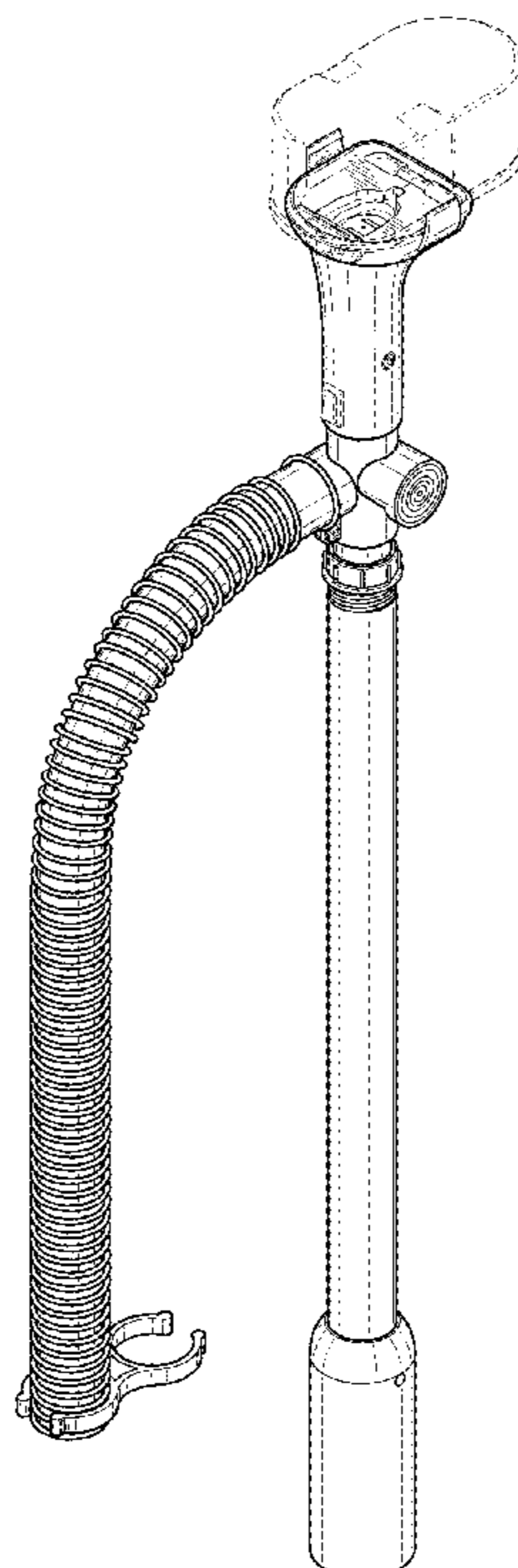
The ornamental design for a battery powered water pump, as shown and described.

DESCRIPTION

FIG. 1 is a perspective view of a battery powered water pump showing my new design.
FIG. 2 is a front view thereof;
FIG. 3 is a rear view thereof.
FIG. 4 is a side view thereof;
FIG. 5 is an opposite side view thereof;
FIG. 6 is a top view thereof; and,
FIG. 7 is a bottom view thereof.

The features presented in broken lines represent unclaimed portions of the battery powered water pump and form no part of the claimed design. The flexible hose shown in FIGS. 4 and 5 is illustrated moved to the side so as to fully illustrate the flexible hose and the remainder of the battery powered water pump.

1 Claim, 3 Drawing Sheets



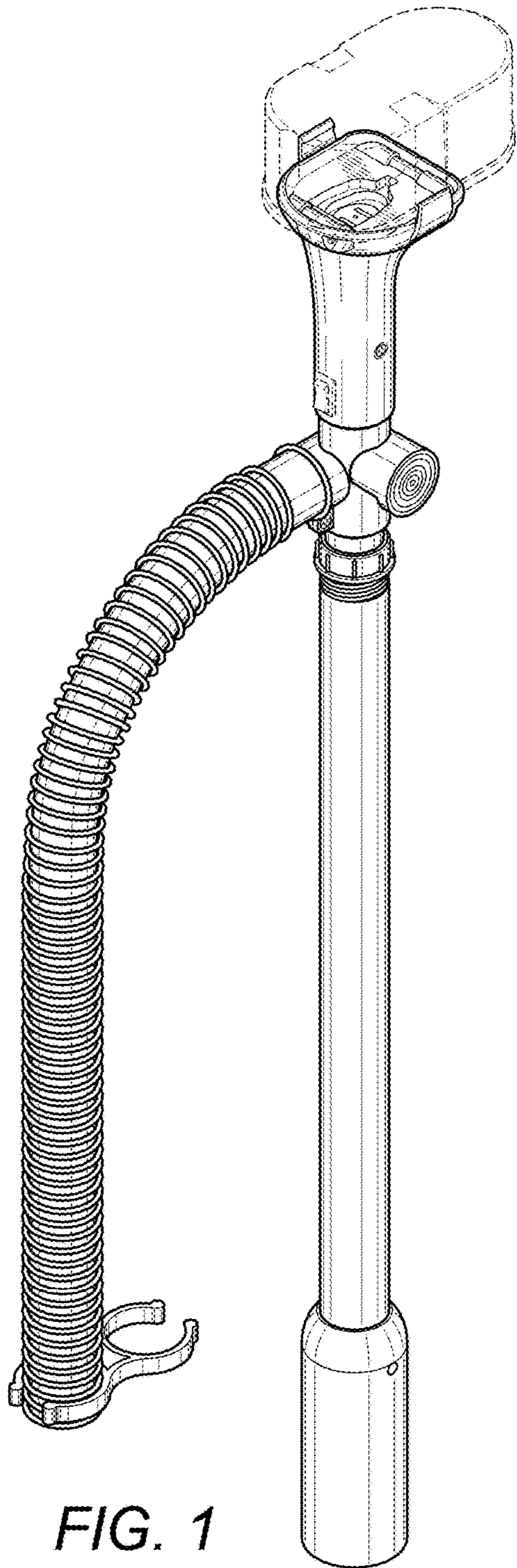


FIG. 1

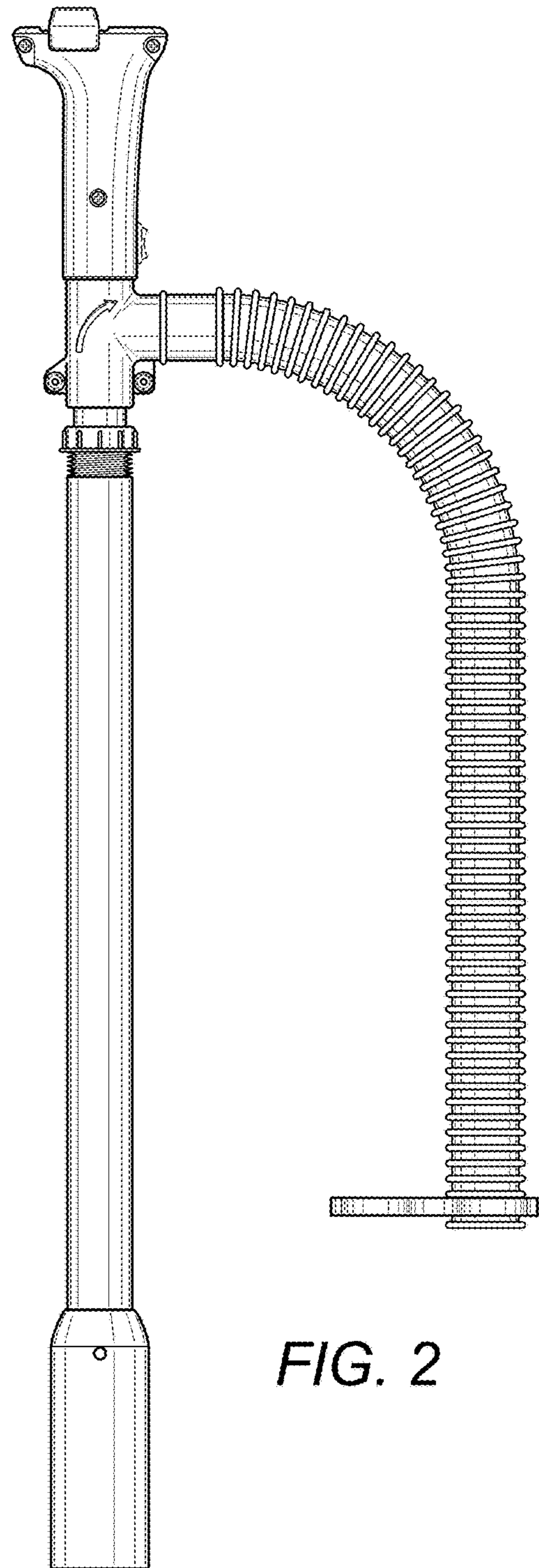


FIG. 2

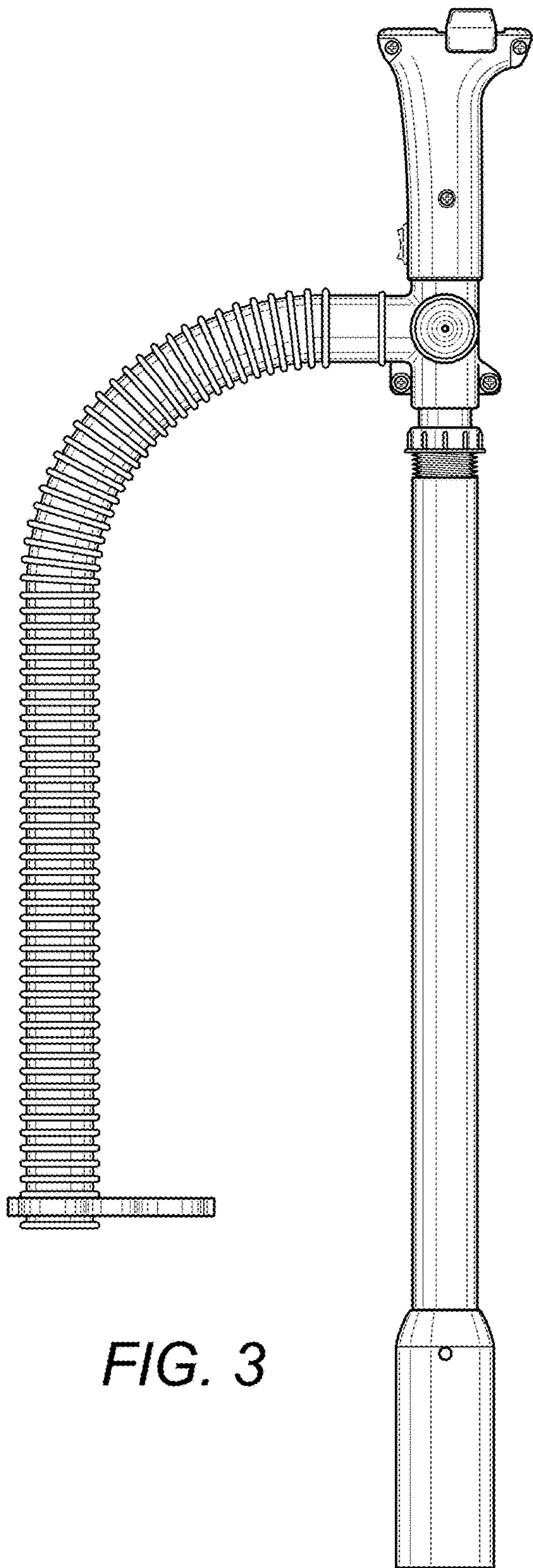


FIG. 3

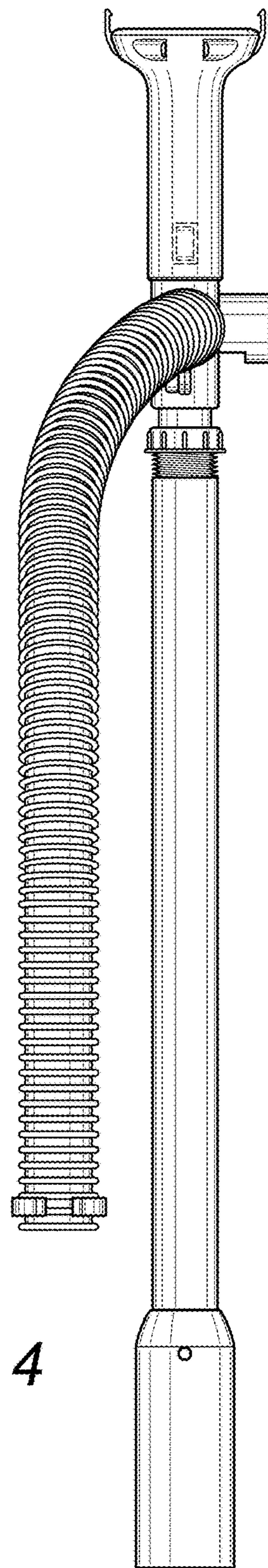


FIG. 4

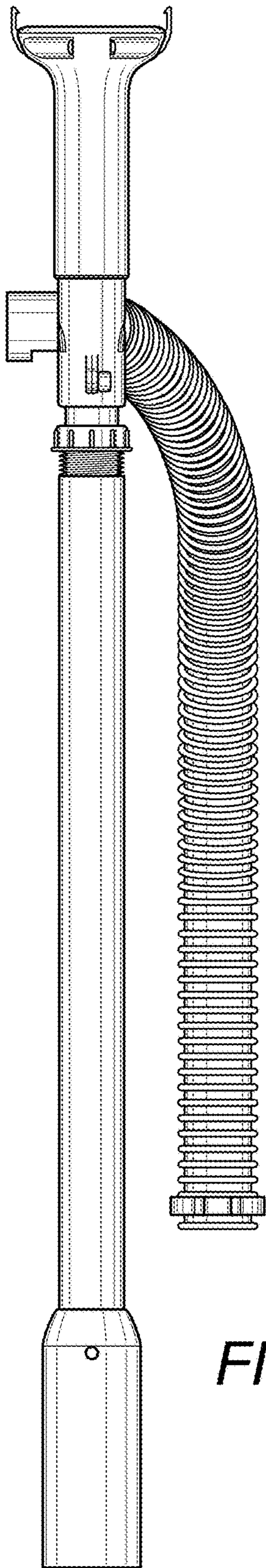


FIG. 5

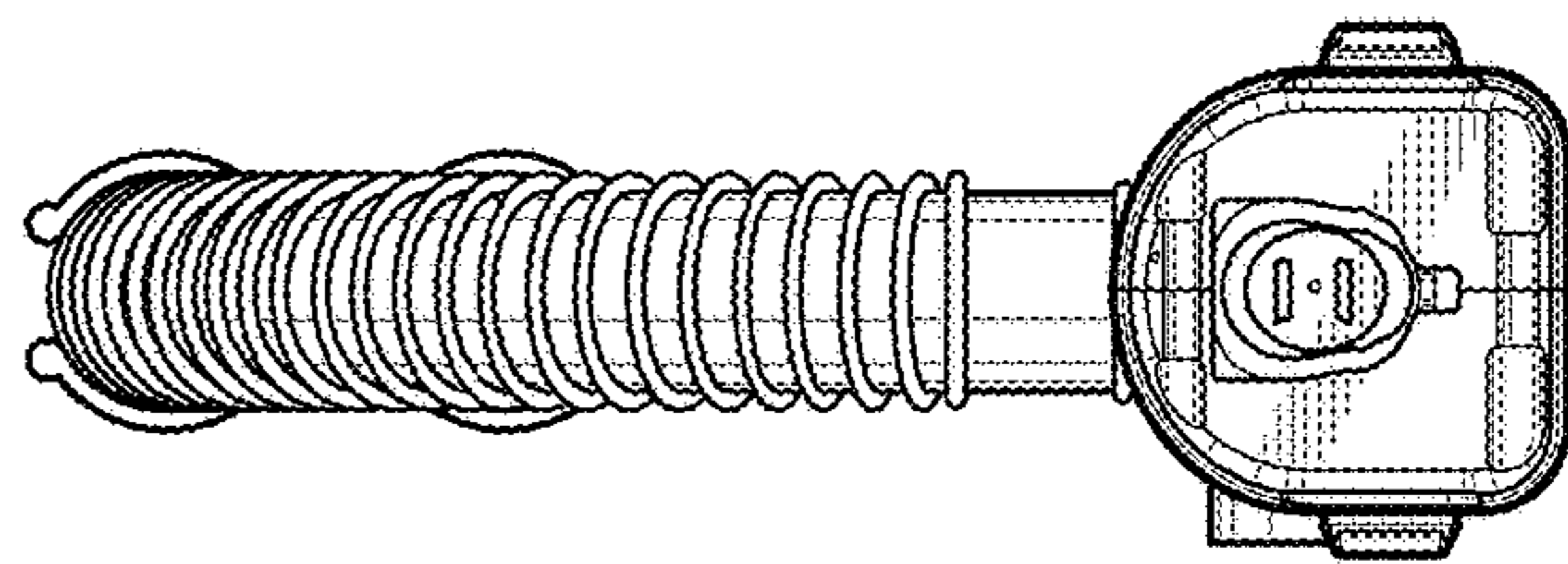


FIG. 6

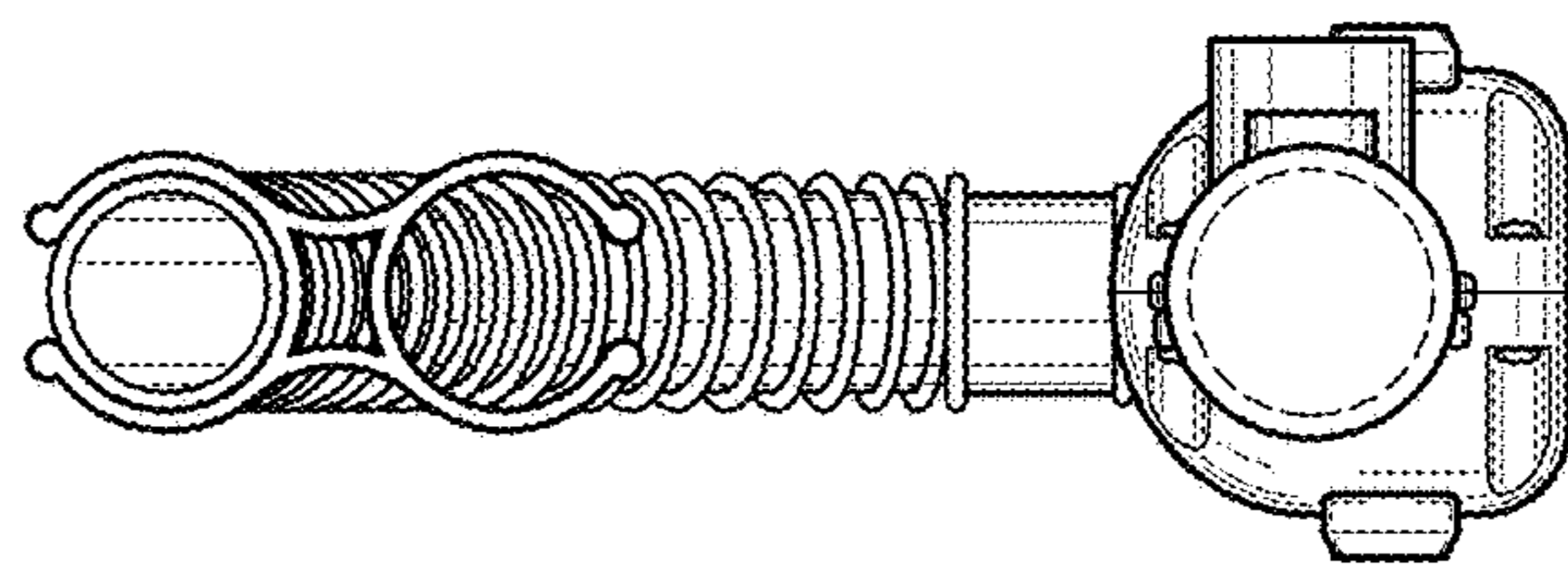


FIG. 7