



US00D800175S

(12) **United States Design Patent**  
**Gillespie et al.**

(10) **Patent No.:** **US D800,175 S**

(45) **Date of Patent:** **\*\* Oct. 17, 2017**

(54) **REVERSIBLE ENGINE MOUNT**

(71) Applicant: **Hasport Performance, Inc.**, Phoenix, AZ (US)

(72) Inventors: **Brian Gillespie**, Phoenix, AZ (US);  
**Keith Gillespie**, Tempe, AZ (US)

(73) Assignee: **Hasport Performance, Inc.**, Phoenix, AZ (US)

(\*\*) Term: **15 Years**

(21) Appl. No.: **29/592,036**

(22) Filed: **Jan. 26, 2017**

**Related U.S. Application Data**

(63) Continuation of application No. 15/002,269, filed on Jan. 20, 2016, now Pat. No. 9,630,485.

(51) **LOC (10) Cl.** ..... **15-01**

(52) **U.S. Cl.**  
USPC ..... **D15/5**

(58) **Field of Classification Search**

USPC .... D15/5; D8/349, 354, 356, 363, 366, 380,  
D8/382, 383, 394, 396, 499, 352;  
D12/223, 87

CPC B60Y 2304/05; B60K 5/1283; B60K 5/1216;  
B62D 2/11

See application file for complete search history.

(56) **References Cited**

**U.S. PATENT DOCUMENTS**

5,035,397 A \* 7/1991 Yamada ..... B60K 5/1216  
180/297  
5,129,479 A \* 7/1992 Fujii ..... B60K 5/1216  
180/297  
5,375,821 A \* 12/1994 Toshimitsu ..... B60K 5/1216  
180/312  
5,437,344 A \* 8/1995 Wada ..... B60K 5/1216  
123/192.1

D761,084 S \* 7/2016 Cox ..... D8/354  
9,630,485 B2 \* 4/2017 Gillespie ..... B60K 5/1283  
2002/0005311 A1 \* 1/2002 Hamaekers ..... B60K 5/1216  
180/291  
2008/0054538 A1 \* 3/2008 Igami ..... B60K 5/1216  
267/140.11  
2009/0065676 A1 \* 3/2009 Halladay ..... F16F 1/3605  
248/647  
2013/0068552 A1 \* 3/2013 Kim ..... B60K 5/1216  
180/300  
2013/0328254 A1 \* 12/2013 Kojima ..... B60K 5/1241  
267/140.15  
2014/0175257 A1 \* 6/2014 Kim ..... B60K 5/1266  
248/638

(Continued)

**OTHER PUBLICATIONS**

Hasport Performance, Inc.; DCLH Engine Mount, Sep. 2002, 1 Page, U.S.

(Continued)

*Primary Examiner* — T. Chase Nelson

*Assistant Examiner* — Ania Aman

(74) *Attorney, Agent, or Firm* — Steven N. Fox, Esq.

(57) **CLAIM**

The ornamental design for a reversible engine mount, as shown and described.

**DESCRIPTION**

FIG. 1 is a perspective view of a reversible engine mount according to the invention;

FIG. 2 is a right side view thereof;

FIG. 3 is a left side view thereof;

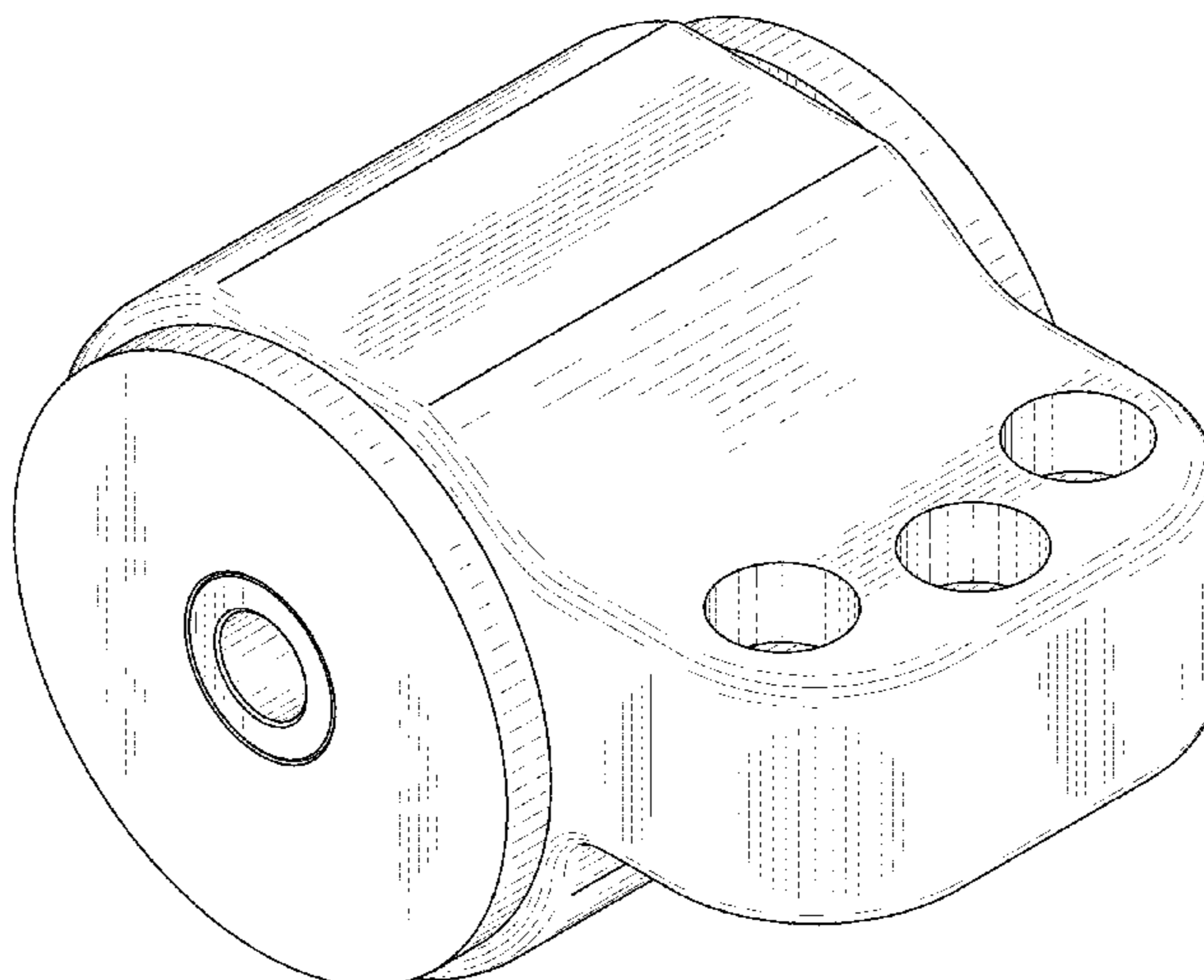
FIG. 4 is a bottom view thereof;

FIG. 5 is a top view thereof;

FIG. 6 is a rear view thereof; and,

FIG. 7 is a front view thereof.

**1 Claim, 5 Drawing Sheets**



(56)

**References Cited**

U.S. PATENT DOCUMENTS

2015/0375788 A1\* 12/2015 Yun ..... B62D 21/11  
267/292  
2016/0229279 A1\* 8/2016 Gillespie ..... B60K 5/1283  
2016/0263982 A1\* 9/2016 Miya ..... B60K 5/1216

OTHER PUBLICATIONS

Hasport Performance, Inc.; EGJ1 Engine Mount, Dec. 2008, 1 Page,  
U.S.

\* cited by examiner

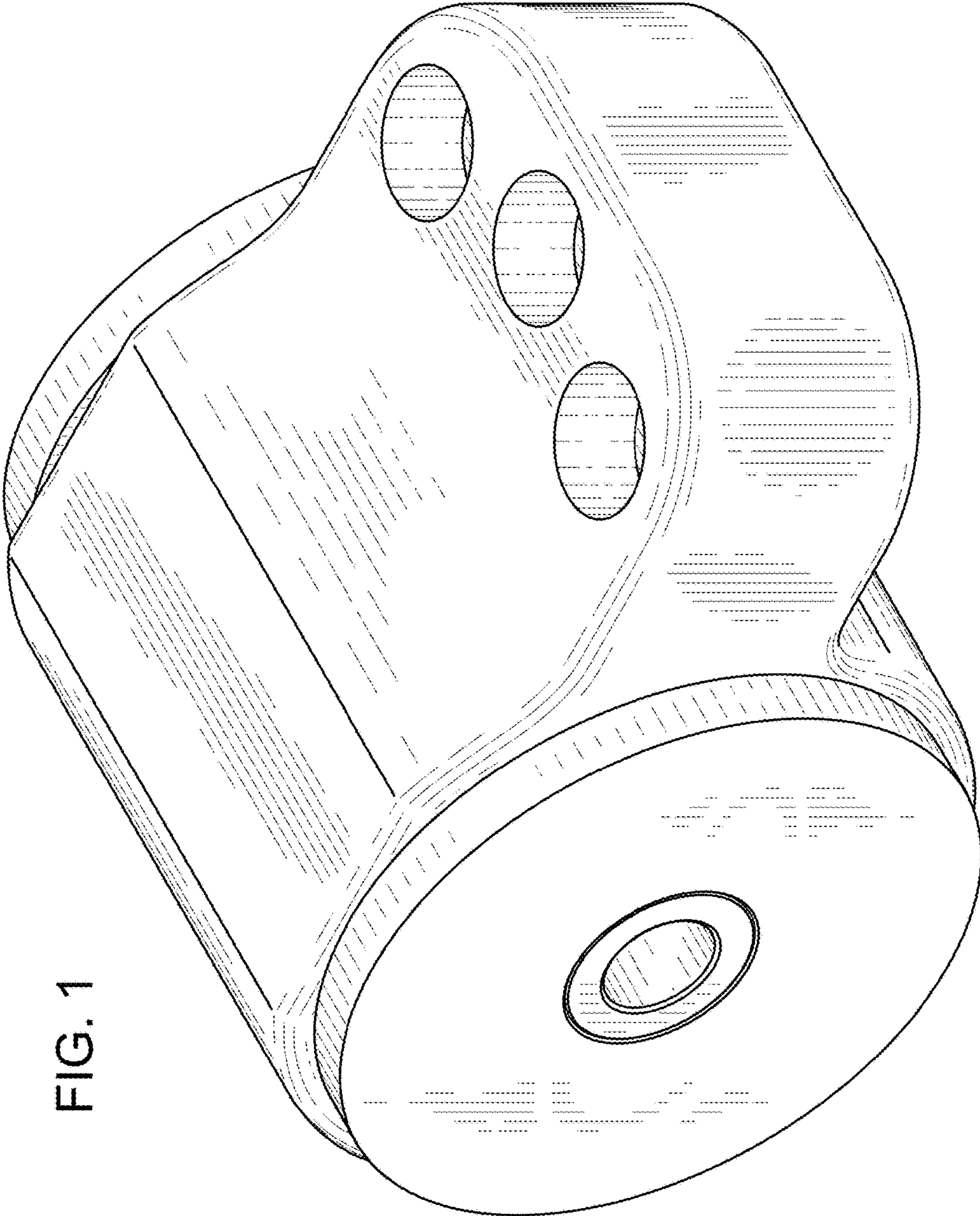


FIG. 1

FIG. 2

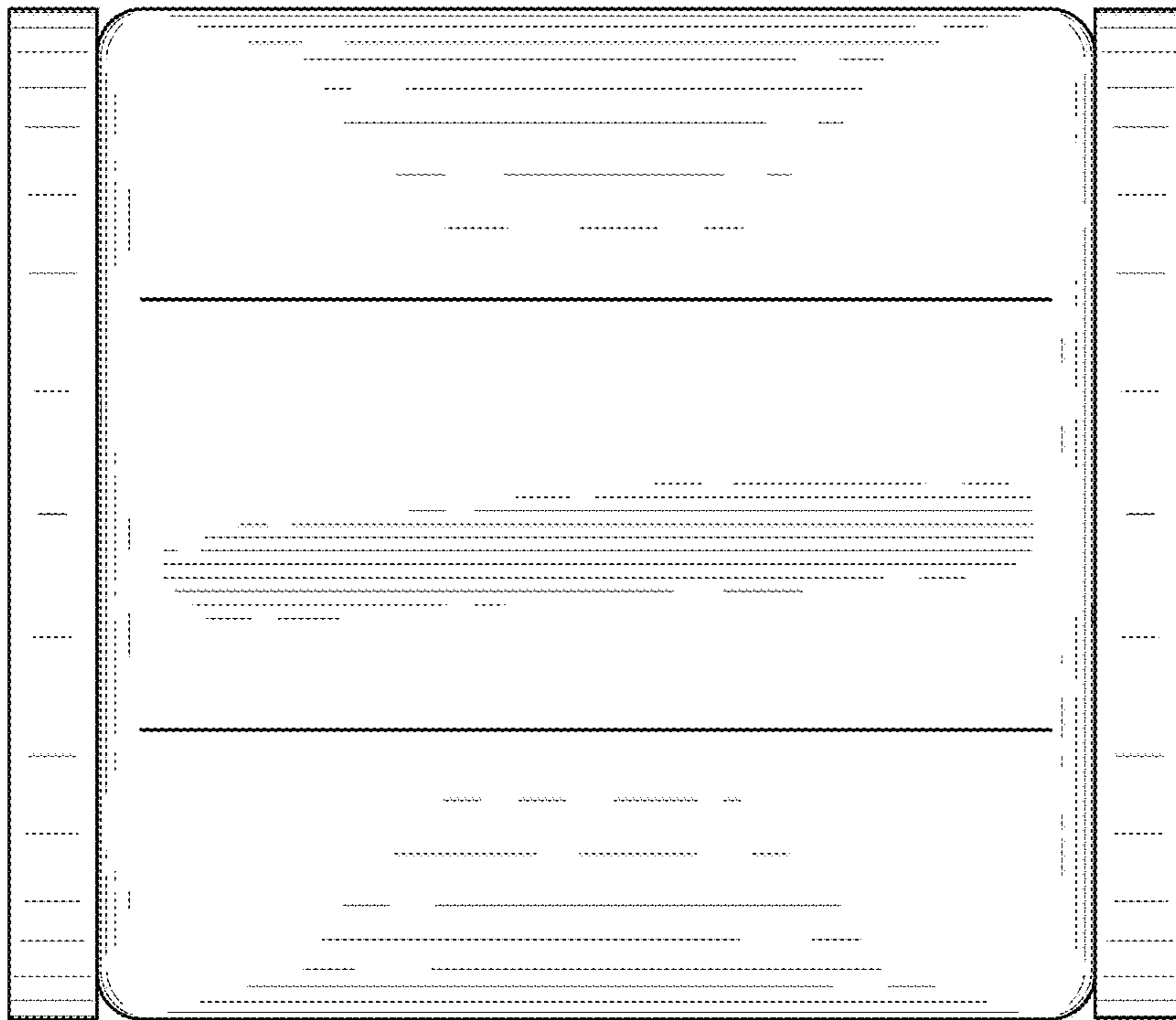
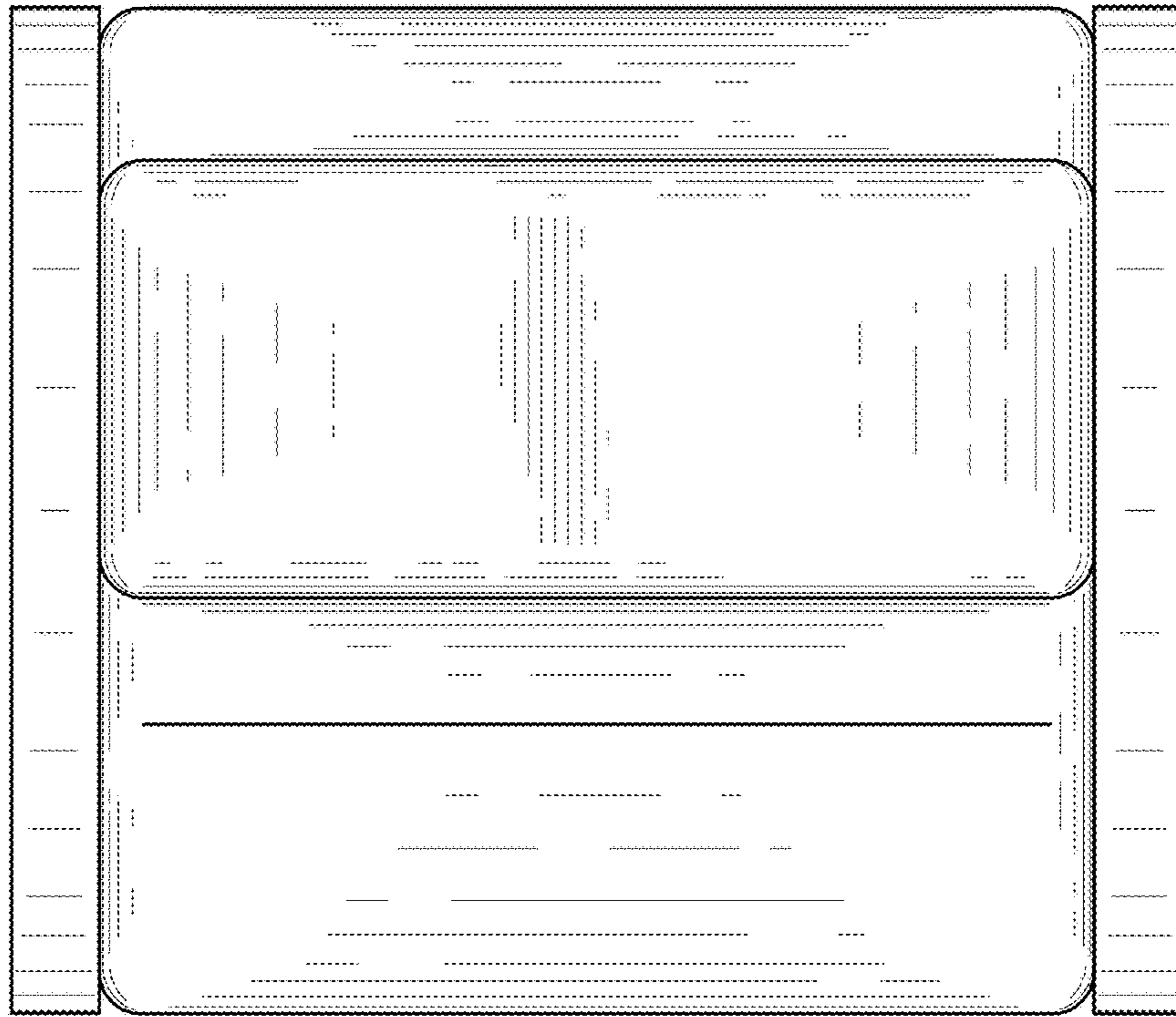


FIG. 3



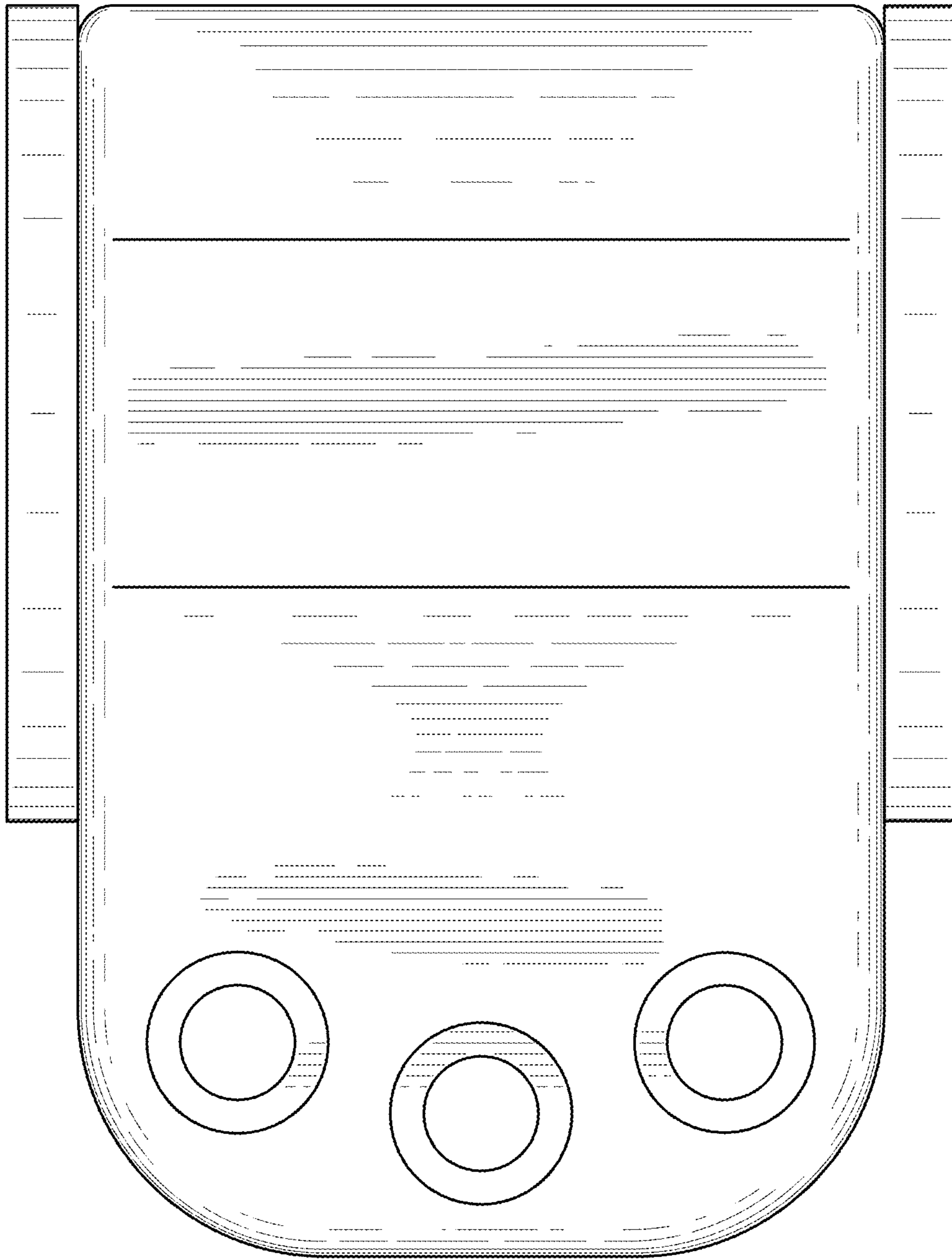


FIG. 4

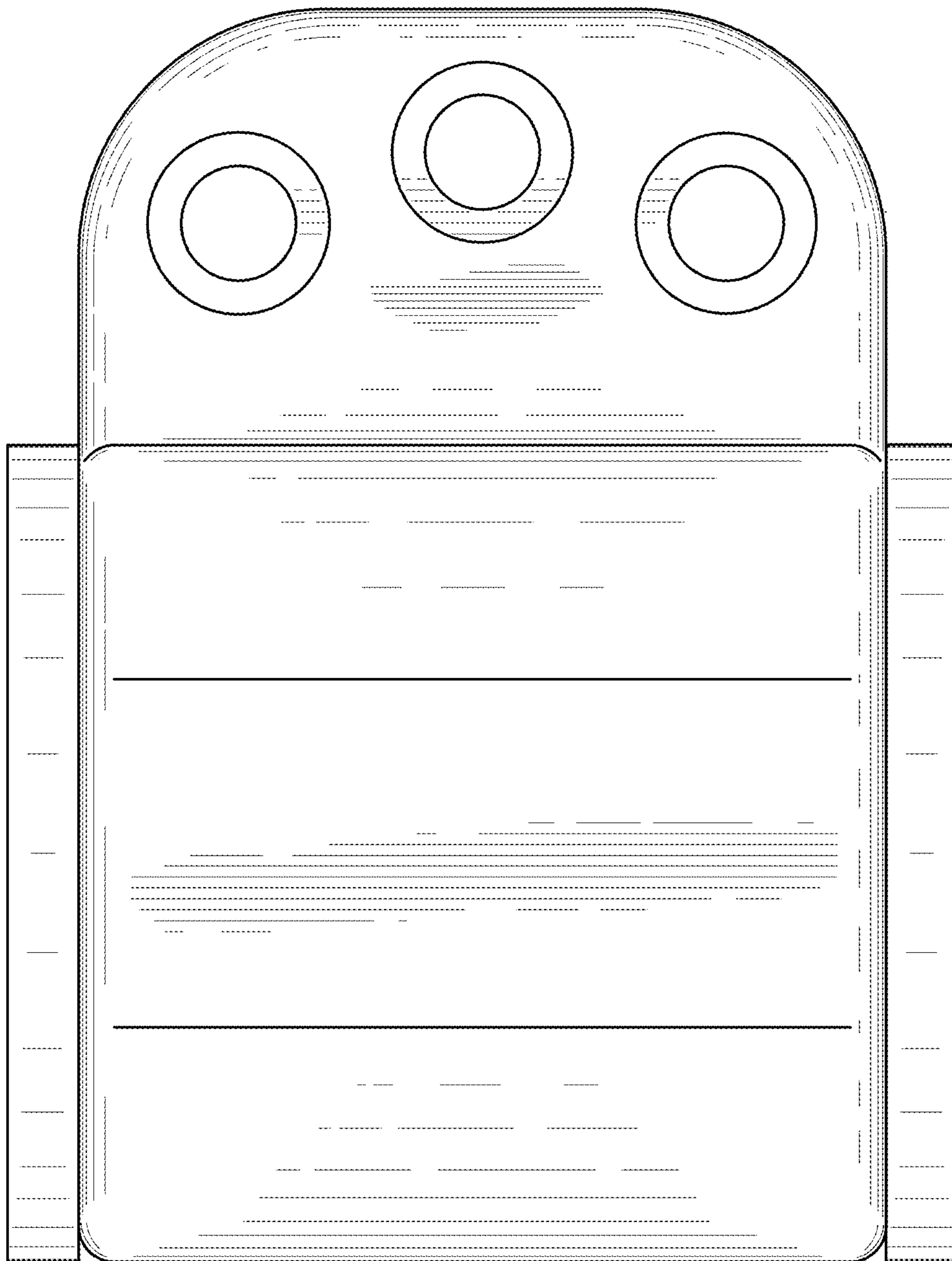


FIG. 5

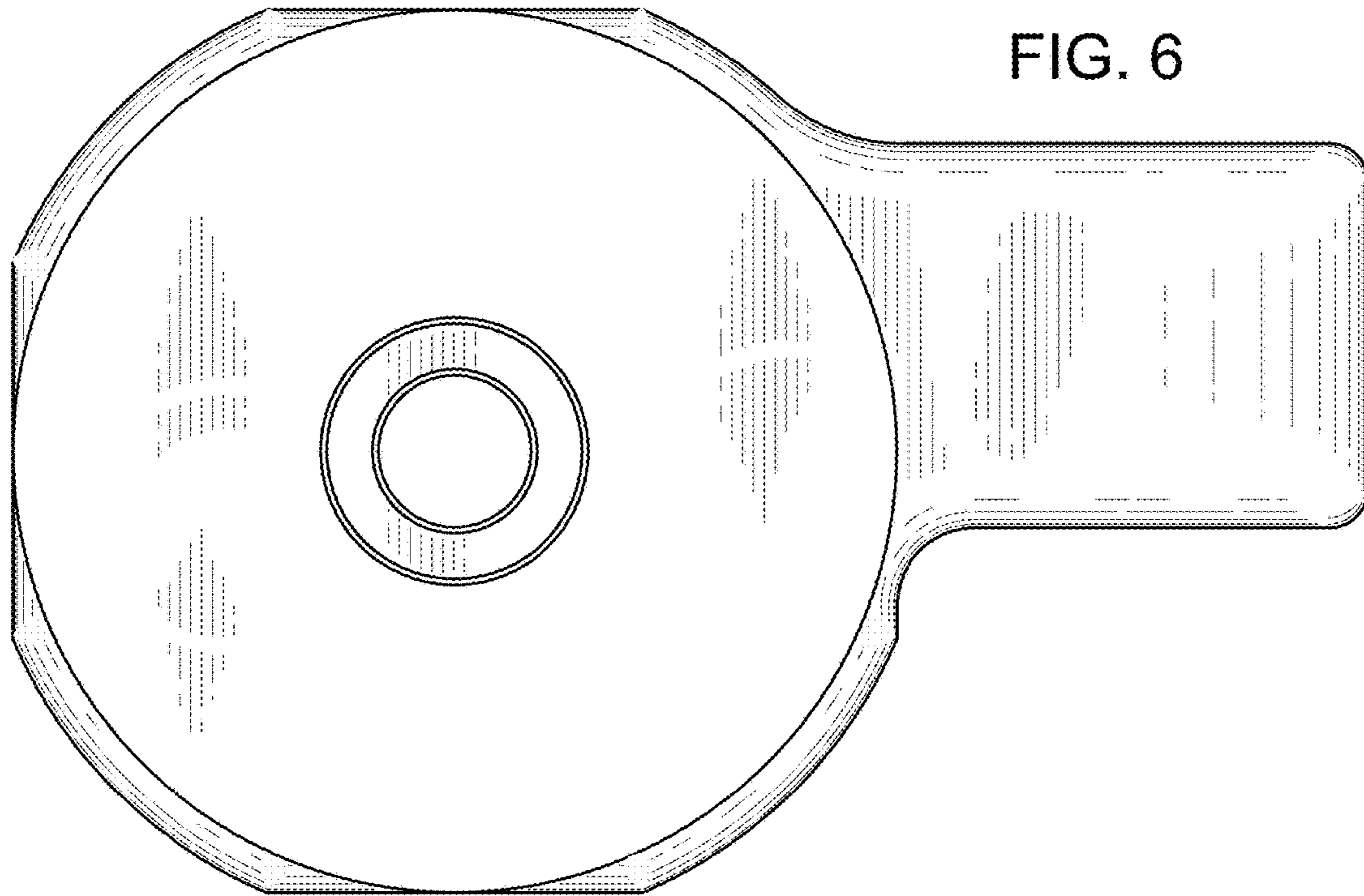


FIG. 6

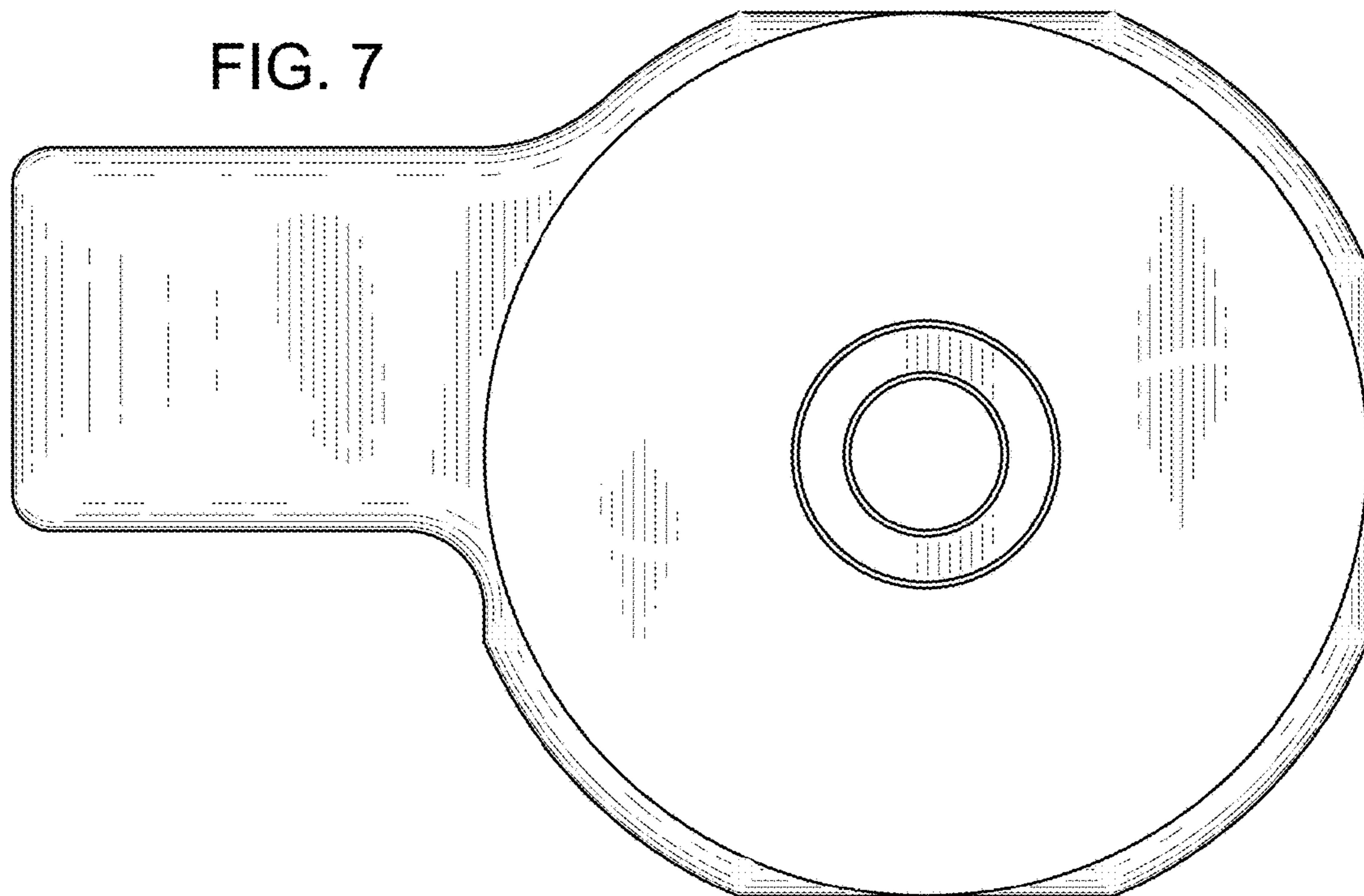


FIG. 7