



US00D800172S

(12) **United States Design Patent**
Akana et al.

(10) **Patent No.:** **US D800,172 S**
(45) **Date of Patent:** **** Oct. 17, 2017**

(54) **ELECTRONIC DEVICE**

(71) Applicant: **Apple Inc.**, Cupertino, CA (US)

(72) Inventors: **Jody Akana**, San Francisco, CA (US);
Bartley K. Andre, Palo Alto, CA (US);
Shota Aoyagi, San Francisco, CA (US);
Anthony Michael Ashcroft, San Francisco, CA (US);
Jeremy Bataillou, San Francisco, CA (US);
Daniel J. Coster, San Francisco, CA (US);
Daniele De Iuliis, San Francisco, CA (US);
M. Evans Hankey, San Francisco, CA (US);
Julian Hoenig, San Francisco, CA (US);
Richard P. Howarth, San Francisco, CA (US);
Jonathan P. Ive, San Francisco, CA (US);
Duncan Robert Kerr, San Francisco, CA (US);
Marc A. Newson, London (GB);
Matthew Dean Rohrbach, San Francisco, CA (US);
Peter Russell-Clarke, San Francisco, CA (US);
Benjamin Andrew Shaffer, San Jose, CA (US);
Mikael Silvano, San Francisco, CA (US);
Christopher J. Stringer, Woodside, CA (US);
Eugene Antony Whang, San Francisco, CA (US);
Rico Zörkendörfer, San Francisco, CA (US)

(73) Assignee: **Apple Inc.**, Cupertino, CA (US)

(**) Term: **15 Years**

(21) Appl. No.: **29/578,799**

(22) Filed: **Sep. 23, 2016**

Related U.S. Application Data

(63) Continuation of application No. 29/518,754, filed on Feb. 26, 2015, now Pat. No. Des. 768,724, which is a continuation of application No. 29/499,042, filed on Aug. 11, 2014, now Pat. No. Des. 728,624.

(51) **LOC (10) Cl.** **14-03**

(52) **U.S. Cl.**

USPC **D14/496**; D10/32; D14/511

(58) **Field of Classification Search**

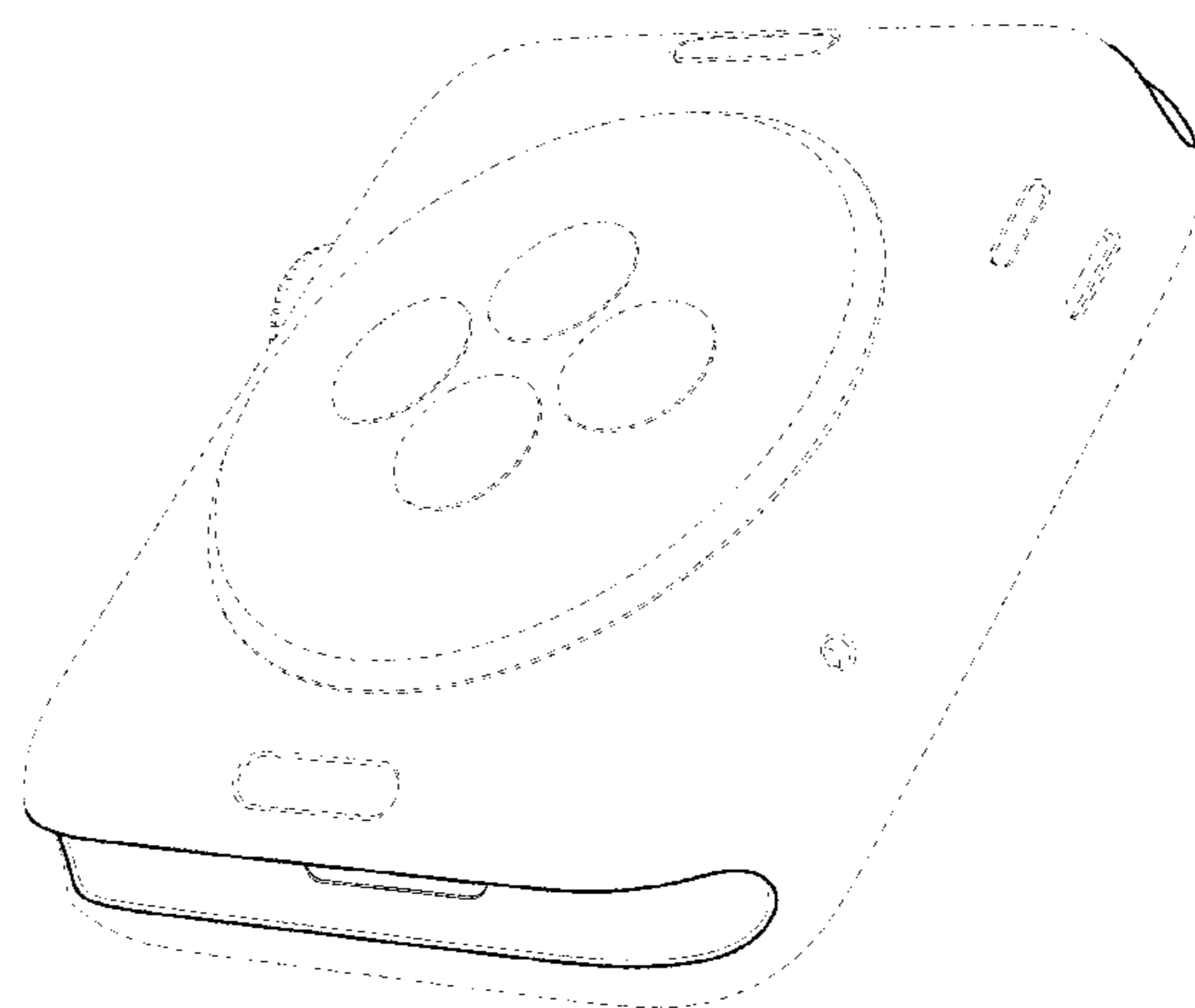
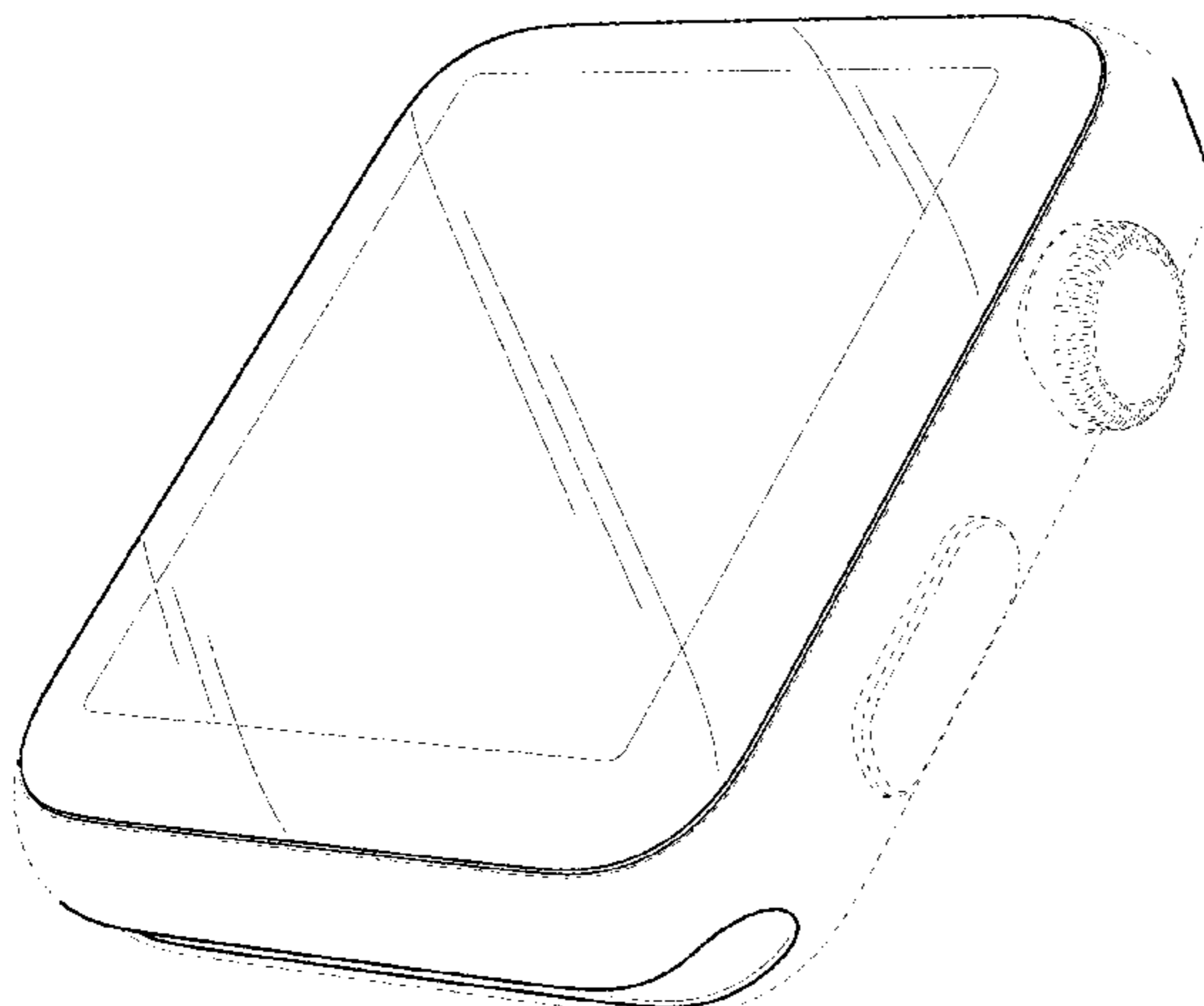
USPC D14/496, 401, 435, 474, 483, 217, 137, D14/138, 160, 168, 356, 203.1–203.8, D14/507, 344; 345/156, 169, 173–179, 345/905; 715/727–729, 864; 710/1, 5, 8; 713/1, 600; 455/1.1, 1.7, 73, 344–347, 455/93, 95, 3.01–3.06, 550.1, 573.1; 370/342–344; 369/1, 2, 6–12; 463/43–47; 273/148 B; D10/30, 31, 38, D10/122–130; 348/373–376; 224/164–180; 24/163 R, 574.1, 578.15, 24/265 R, 265 B, 265 WS
CPC . H04J 11/00; H04J 13/00; H04J 14/00; H04N 5/76; G04B 37/18; G04B 37/00; G04B 47/00; G04B 47/02; G04F 10/00; G09G 5/00

See application file for complete search history.

(56) **References Cited**

U.S. PATENT DOCUMENTS

3,640,065 A	2/1972	Lederrey et al.	
D287,471 S	12/1986	Sato et al.	
4,777,746 A	10/1988	Brooks	
D329,333 S	9/1992	Ackeret	
D333,574 S	3/1993	Ackeret	
5,265,009 A *	11/1993	Colavita	A63F 1/18 273/148 R
5,386,933 A	2/1995	Greene et al.	
D439,172 S	3/2001	Brzezinski	
6,655,831 B1	12/2003	Ruffieux	
D496,589 S	9/2004	Perrenoud	
D504,889 S	5/2005	Andre et al.	
6,970,157 B2	11/2005	Siddeeq	
D513,195 S	12/2005	Gruosi	
7,004,469 B2	2/2006	Von Goeben	
D528,018 S	9/2006	Burton	
D528,439 S	9/2006	Burton	
D528,928 S	9/2006	Burton	
7,106,197 B2	9/2006	Gaiotto et al.	
7,164,578 B2	1/2007	Wang et al.	
D558,227 S	12/2007	Cho et al.	
D572,266 S	7/2008	Anderson et al.	
D574,735 S	8/2008	Landman et al.	
D578,922 S	10/2008	Hoshino	
D584,170 S	1/2009	Morrison	



D586,823 S	2/2009	Anderson et al.	
D589,375 S	3/2009	Tang	
D596,610 S	7/2009	Hou	
D607,883 S	1/2010	Fujita et al.	
D616,417 S	5/2010	Liao	
7,708,457 B2	5/2010	Girardin et al.	
D636,391 S	4/2011	Shen et al.	
D637,094 S	5/2011	Cobbett et al.	
D637,918 S	5/2011	Cobbett et al.	
D650,706 S	12/2011	Zanella et al.	
D666,503 S	9/2012	Bulgari	
D667,398 S	9/2012	Koh	
D681,483 S	5/2013	Biegert et al.	
D685,783 S	7/2013	Bryan et al.	
D689,048 S	9/2013	Wang et al.	
D699,701 S	2/2014	Kim	
8,647,268 B2 *	2/2014	Tran	A61B 5/103 600/301
8,766,805 B2 *	7/2014	Alameh	G06F 15/0266 340/573.1
D719,123 S	12/2014	Park et al.	
D724,103 S	3/2015	Akana et al.	
D728,624 S	5/2015	Akana et al.	
D729,670 S	5/2015	Nuovo et al.	
9,060,683 B2 *	6/2015	Tran	A61B 5/0022
D737,156 S	8/2015	Akana et al.	
D737,157 S	8/2015	Akana et al.	
D737,158 S	8/2015	Akana et al.	
D737,159 S	8/2015	Akana et al.	
D741,726 S	10/2015	Akana et al.	
D744,356 S	12/2015	Akana et al.	
D745,421 S	12/2015	Akana et al.	
D746,707 S	1/2016	Akana et al.	
D751,070 S	3/2016	Akana et al.	
D752,044 S	3/2016	Akana et al.	
D756,357 S	5/2016	Akana et al.	
D756,824 S *	5/2016	Akana	D10/103
D758,363 S	6/2016	Akana et al.	
D759,011 S	6/2016	Akana et al.	
D759,725 S	6/2016	Akana et al.	
D765,655 S *	9/2016	Tao	D10/38
D766,752 S	9/2016	Akana	
D771,035 S *	11/2016	Akana	D14/344
D771,504 S *	11/2016	Lai	D10/30
D777,163 S *	1/2017	Akana	D14/344
9,551,608 B2 *	1/2017	Cho	G01G 9/00
D782,537 S *	3/2017	Akana	D14/496
D784,326 S *	4/2017	Akana	D14/344
D790,517 S *	6/2017	Akana	D14/244
2010/0061191 A1	3/2010	Chen	

FOREIGN PATENT DOCUMENTS

CN	D3184158	4/2001
CN	D3210240	11/2001
CN	D3329483	10/2003
CN	302900930 S	8/2014
DE	10229050 C1	6/2003
EM	002392803-0022	1/2014
EP	1098231 A1	5/2001
ES	001359301-0002	6/2013
HK	0501949.8	12/2005
HK	1001605.7	12/2010
JP	D1095230	1/2001
JP	D1119440	8/2001
JP	D1127245	11/2001
JP	D1127493	11/2001
JP	D1264904	3/2006
JP	D1281287	9/2006
JP	D1302423	6/2007
JP	D1350052	2/2009
JP	D1368561	8/2009
JP	D1433113	2/2012
JP	D1448195	8/2012
JP	D1462747	2/2013
JP	D1466391	4/2013
JP	D1477307	8/2013
JP	D1503504	7/2014
JP	D1511747	11/2014

JP	D1518040	2/2015
KR	30-0740532	4/2014
TW	D138735	1/2011
WO	WO-DM/066491-004	3/2005
WO	WO-DM/072215	9/2009
WO	WO-DM/077452-004	6/2011
WO	WO-2014135709 A2	9/2014

OTHER PUBLICATIONS

Alvarez, Edgar, "Basis Peak to get its smartwatch-like features in December," engadget.com, <<http://www.engadget.com/2014/11/20/basis-peak-new-features/>>, dated Nov. 20, 2014, accessed Dec. 15, 2014.

Cool Material, "Braun Square Digital Watch," <<http://web.archive.org/web/20111125033014/http://coolmaterial.com/style/braun-square-digital-watch/>>, dated Nov. 25, 2011, accessed Dec. 18, 2014.

Emily, "Nixon—The Newton Digital," <<http://www.freshnessmag.com/2009/09/08/nixon-the-newton-digital/>>, freshnessmag.com, dated Sep. 8, 2009, accessed Oct. 9, 2014.

Fitbit, "Fitbit Surge™ Fitness Super Watch" <<https://www.fitbit.com/surge/>>, accessed Dec. 15, 2014.

Geekbuying.com, "Makibes unisex red led digital wrist watch with square case silicone watchband—white," <<http://www.geekbuying.com/item/Unisex-Red-LED-Digital-Wrist-Watch-with-Square-Case-Silicone-Watchband---White-326443.html>>, accessed Oct. 9, 2014.

Hodinkee.com, "Apple iPod Nano Now Available With Mickey Mouse Dial, Also Cheesy, Mechanically Inaccurate Open-Worked Dial," <<http://web.archive.org/web/20111006043916/http://www.hodinkee.com/blog/2011/10/5/apple-ipod-nano-now-available-with-mickey-mouse-dial-also-ch.html>>, dated Oct. 6, 2011, accessed Dec. 18, 2014.

Homego, "M6 Silver Smart Watch Cell Phone 1.54 inch Bluetooth 3.0 Dialer Outdoor Sports Pedometer," amazon.com, <<http://www.amazon.com/Silver-Bluetooth-Dialer-Outdoor-Pedometer/dp/B00MQTBGK6>>, accessed Dec. 15, 2014.

Ikepod, "Original Ikepod Watch With GMT—Marc Newson Design," Watchbox.be, <<http://www.watchbox.be/prod/Other-Watches/Marc%20Newson%20Design/item7165.htm#VJLm2fAo5D8>>, accessed Dec. 17, 2014.

LG Life's Good, "LG G Watch (W100)," <<http://www.lg.com/us/smart-watches/lg-w100-g-watch>>, accessed Dec. 18, 2014.

Metawatch, "Frame—Black (MW3005)," <<http://meta.watch/collections/smartwatch-all/products/frame-ss-black-leather>>, accessed Dec. 15, 2014.

Omate, "Omate TrueSmart: Water-resistant standalone Smartwatch 2.0," <<http://www.kickstarter.com/projects/omate/omate-truesmart-water-resistant-standalone-smartwa>>, dated Aug. 21, 2013, accessed Oct. 8, 2014.

Omate, "The TrueSmart™ is the world's first standalone smartwatch 2.0 running on top of Android and OUI 2.0," <<http://www.omate.com/product.html>>, accessed Dec. 15, 2014.

Pebble, "Pebble Smartwatch," getpebble.com, <<https://getpebble.com/checkout/>>, accessed Dec. 15, 2014.

Samsung, "Samsung Gear™ 2 Charcoal Black SM-R3800VSAXAR," <<http://www.samsung.com/us/mobile/wearable-tech/SM-R3800VSAXAR>>, accessed Dec. 15, 2014.

Samsung, "Samsung Gear S™, (Sprint), Black SM-R750PZKASPR," <<http://www.samsung.com/us/mobile/wearable-tech/SM-R750PZKASPR>>, accessed Dec. 15, 2014.

Samsung, "Galaxy Gear™ Live, Black SM-R3820ZKAXAR," <<http://www.samsung.com/us/mobile/wearable-tech/SM-R3820ZKAXAR>>, accessed Dec. 15, 2014.

Sony, "SmartWatch," <<http://www.sonymobile.com/us/products/accessories/smartwatch/>>, accessed Dec. 15, 2014.

Sony, "SmartWatch 3 SWR50," <<http://www.sonymobile.com/us/products/smartwear/smartwatch-3-swr50/>>, accessed Dec. 15, 2014.

Stables, James, "Clevercare smartwatch aims to help Alzheimer's suffers and carers: Revamped Sony SmartWatch 2 designed for

users that need care,” Wearable News, <<http://www.wearable.com/wearable-tech/clevercare-smartwatch-aims-to-help-alzheimers-suffers-and-carers-585>>, dated Dec. 15, 2014.

Team Luxe, “Collector’s Edition: Hermes Carre H Watch,” Luxpresso, <<http://luxpresso.com/news-couture/collectors-edition-hermes-carre-h-watch/2814>>, dated Jan. 10, 2011, accessed Dec. 18, 2014.

Ted Baker, “Ted Baker Men’s TE1054 Time Flies Contemporary Square Digital Case Watch,” <<http://www.amazon.com/Ted-Baker-TE1054-Contemporary-Digital/dp/B0045CRTYO%3FSubscriptionId%3DAKIAJ3U4YRIBWCGGKZ2A%26tag%3Dfrases365-20%26linkCode%3Dsp1%26camp%3D2025%26creative%3D165953%26creativeASIN%3DB0045CRTYO>>, accessed Oct. 9, 2014.

Velazco, Chris, “Asus ZenWatch review: subtle and stylish, with a few shortcomings,” Engadget.com, <<http://www.engadget.com/2014/12/11/asus-zenwatch-review/>>, dated Dec. 11, 2014, accessed Dec. 15, 2014.

Watches Infoniac.com, “Hermes Carre H Watch—Extremely Contemporary Design,” <<http://watches.infoniac.com/carre-h-watch-hermes.html>>, dated Aug. 13, 2010, accessed Dec. 18, 2014.

Watchismo, “Braun BN0042 Black Date Leather,” <<http://web.archive.org/web/20130815073830/http://www.watchismo.com/braun-bn0042bkbk.aspx>>, dated Aug. 15, 2013, accessed Dec. 18, 2014.

U.S. Appl. No. 29/499,071, filed Aug. 11, 2014; Akana et al.

U.S. Appl. No. 29/499,075, filed Aug. 11, 2014; Akana et al.

U.S. Appl. No. 29/499,081, filed Aug. 11, 2014; Akana et al.

U.S. Appl. No. 29/499,082, filed Aug. 11, 2014; Akana et al.

U.S. Appl. No. 29/499,090, filed Aug. 11, 2014; Akana et al.

* cited by examiner

Primary Examiner — Prabhakar Deshmukh
(74) *Attorney, Agent, or Firm* — Sterne, Kessler,
Goldstein & Fox P.L.L.C.

(57) **CLAIM**

The ornamental design for an electronic device, as shown and described.

DESCRIPTION

FIG. 1 is a bottom front perspective view of an electronic device showing the claimed design;

FIG. 2 is a bottom rear perspective view thereof;

FIG. 3 is a front view thereof;

FIG. 4 is a rear view thereof;

FIG. 5 is a left side view thereof;

FIG. 6 is a right side view thereof;

FIG. 7 is a top view thereof;

FIG. 8 is a bottom view thereof; and,

FIG. 9 is a top front perspective reference view of the electronic device of the present invention showing the claimed design in an environment in which it may be used. The broken lines in the figures show portions of the electronic device and environment that form no part of the claimed design.

The oblique shade lines in the figures show a transparent, reflective, or shiny surface, and not surface ornamentation.

1 Claim, 7 Drawing Sheets

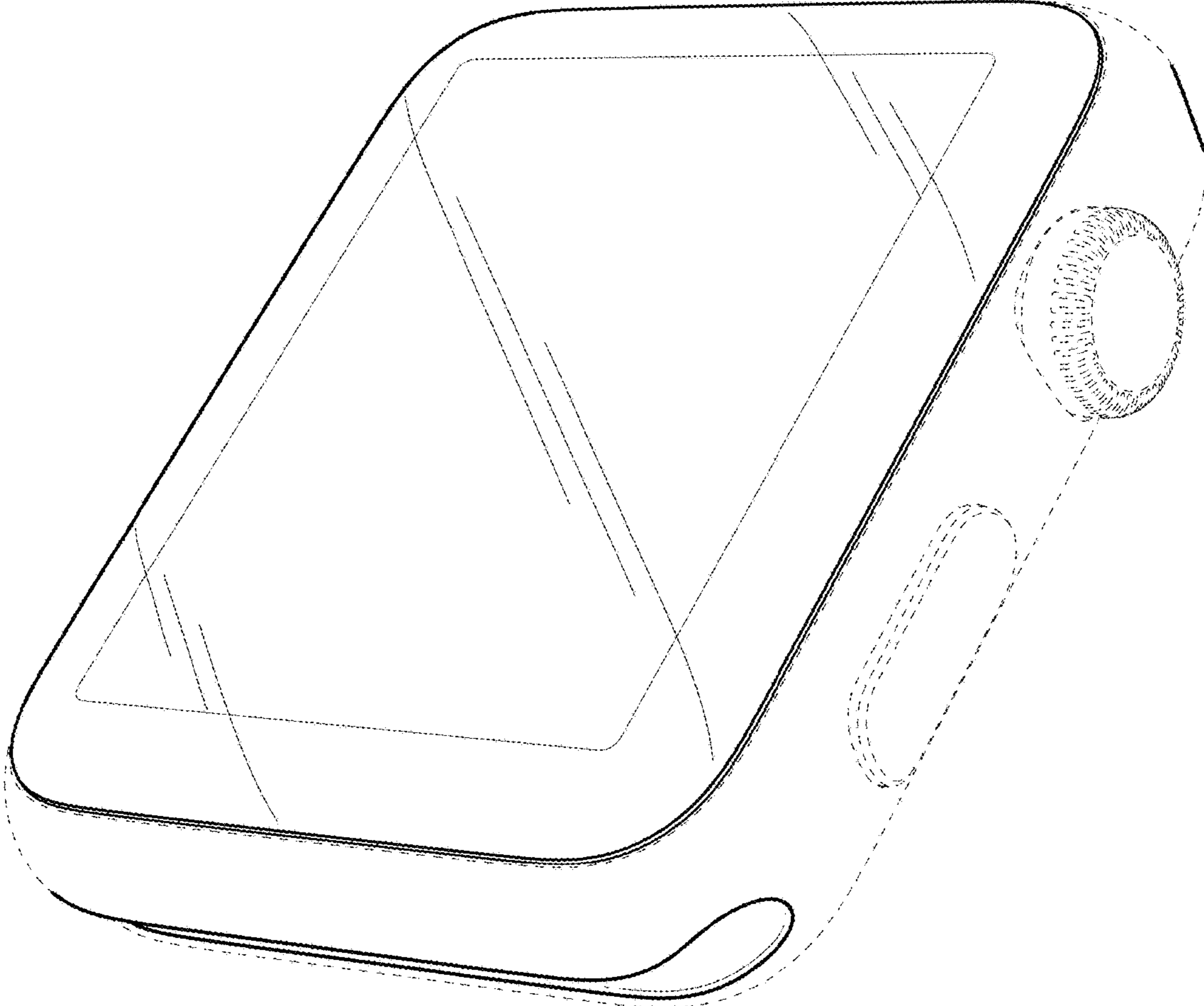


FIG. 1

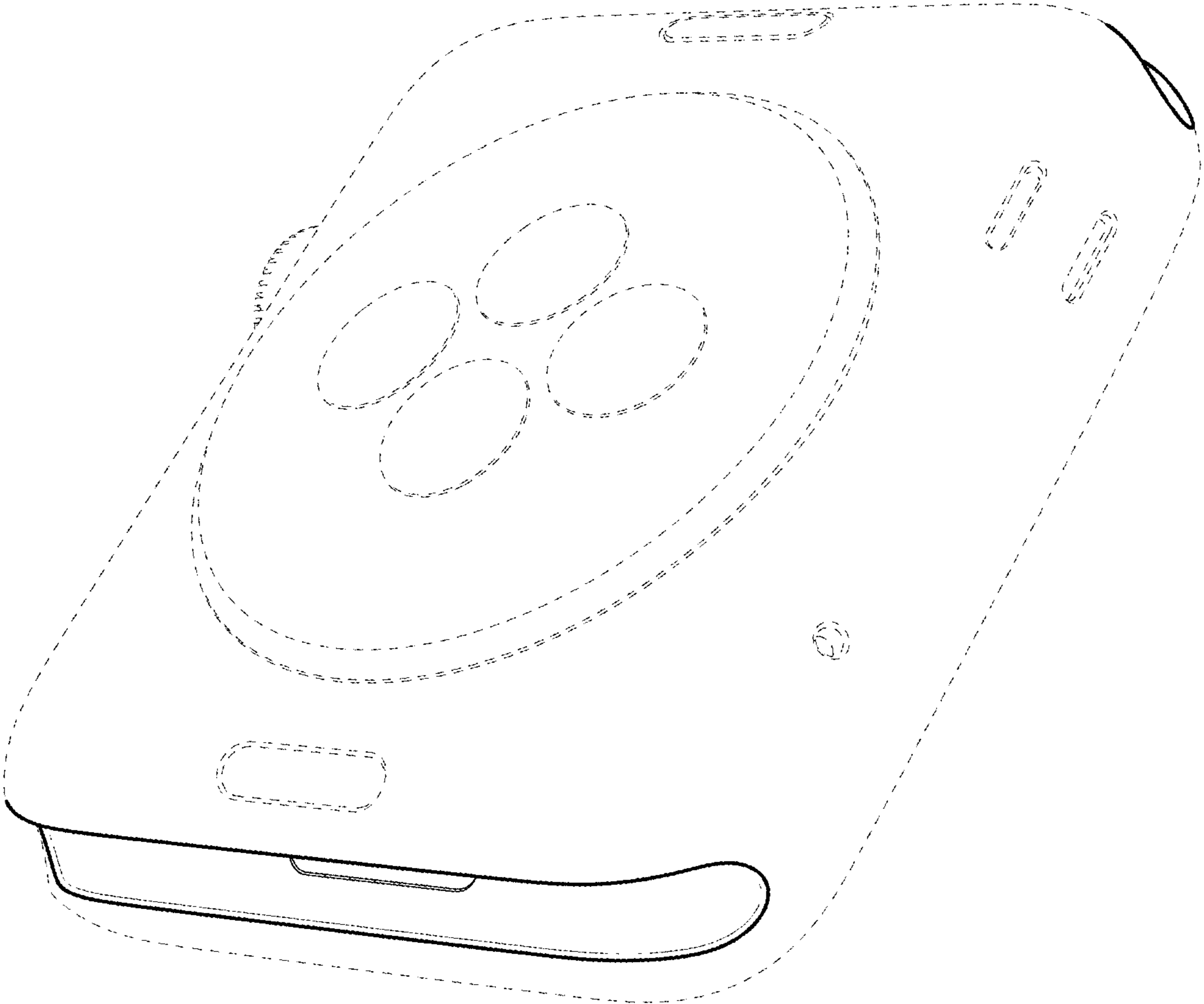


FIG. 2

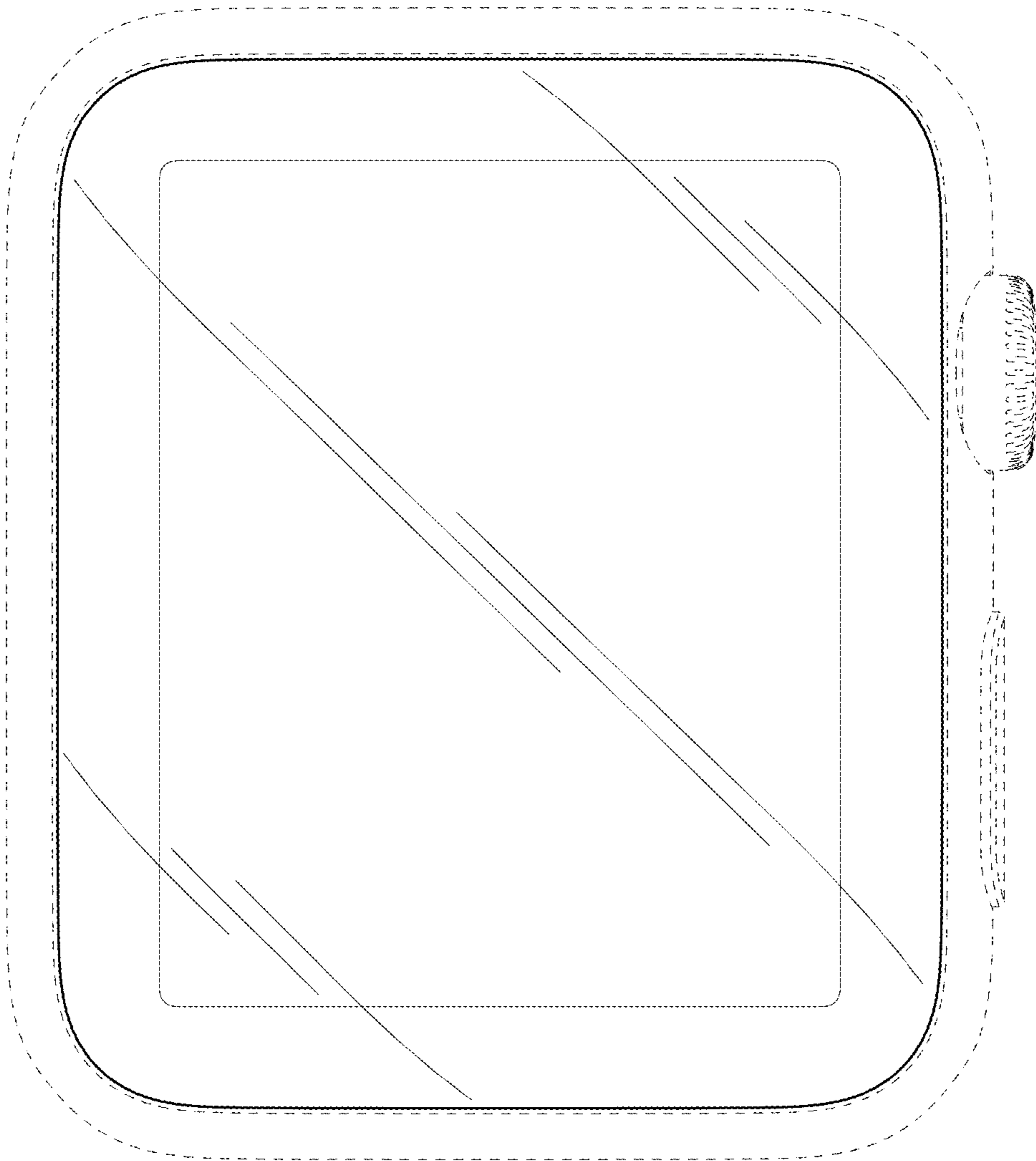


FIG. 3

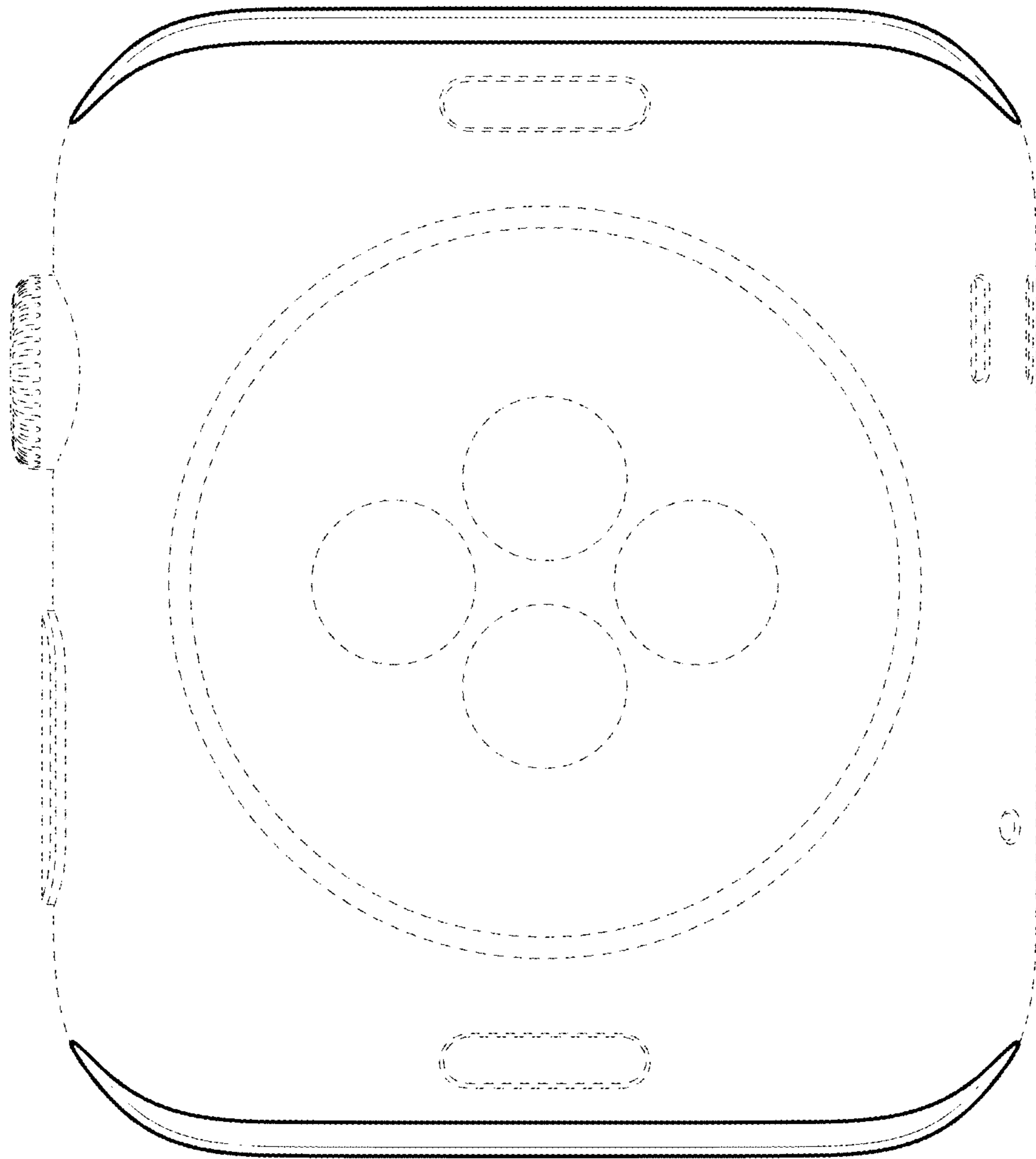


FIG. 4

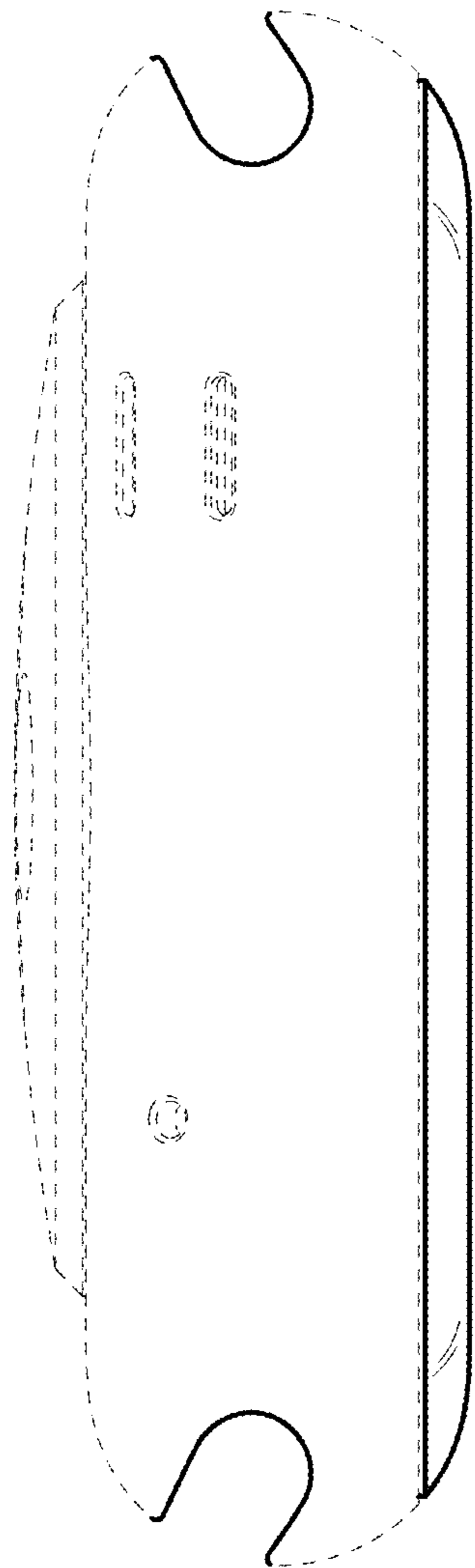


FIG. 5

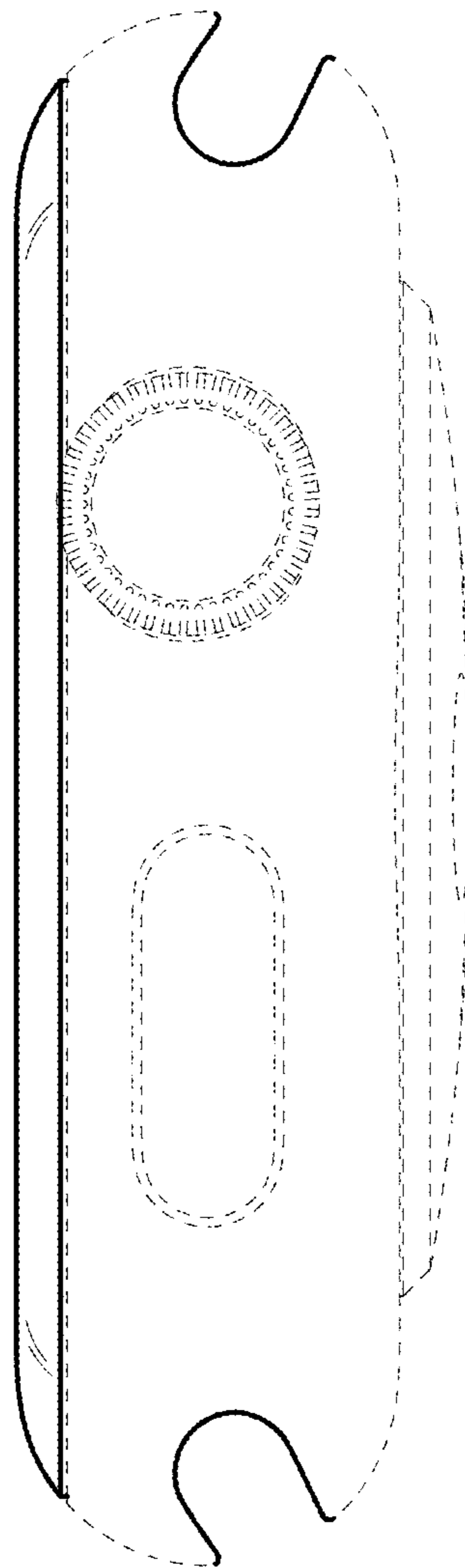


FIG. 6

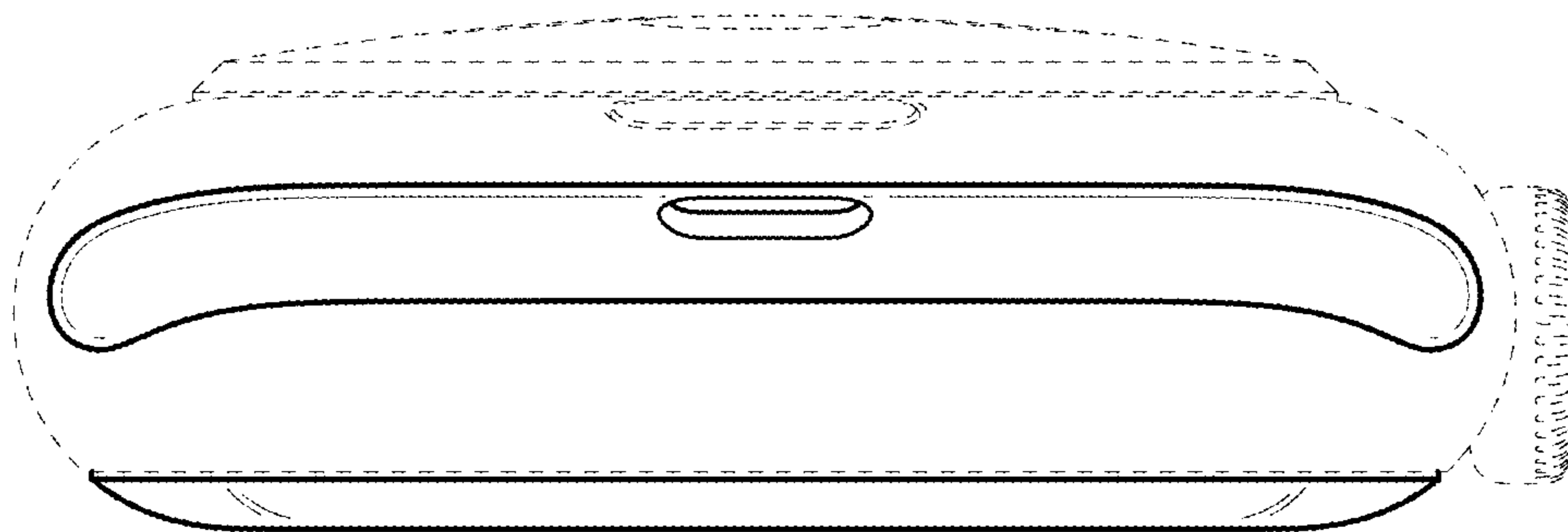


FIG. 7

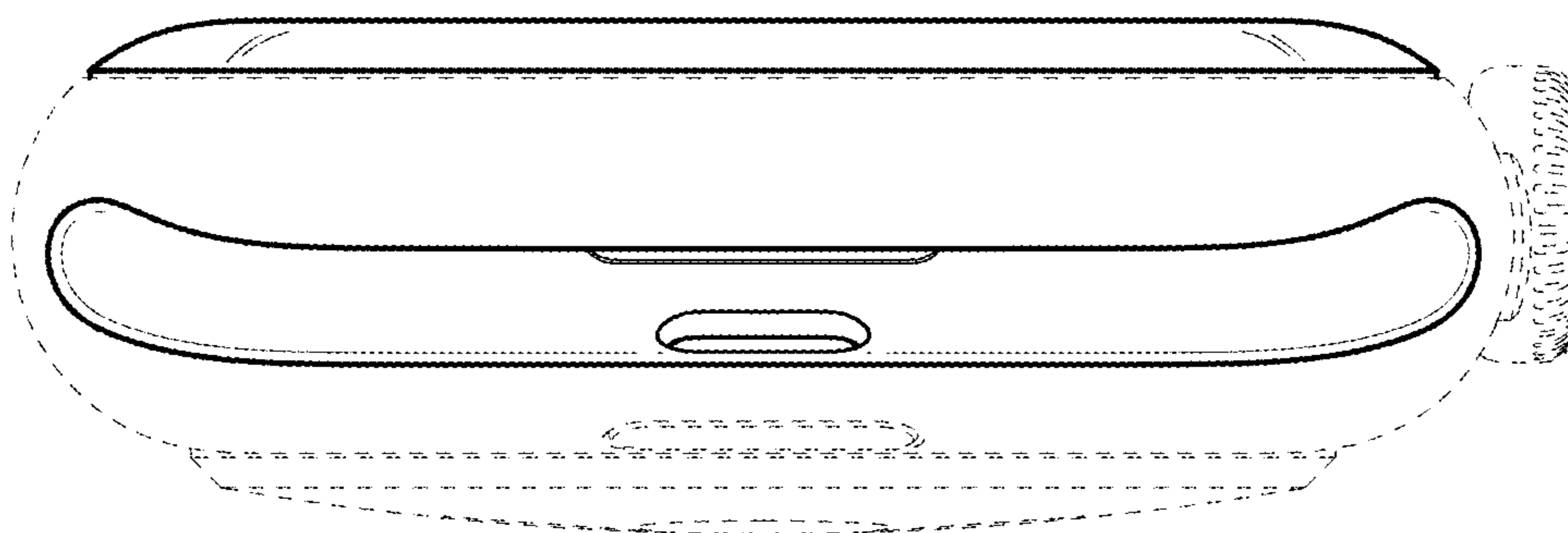


FIG. 8

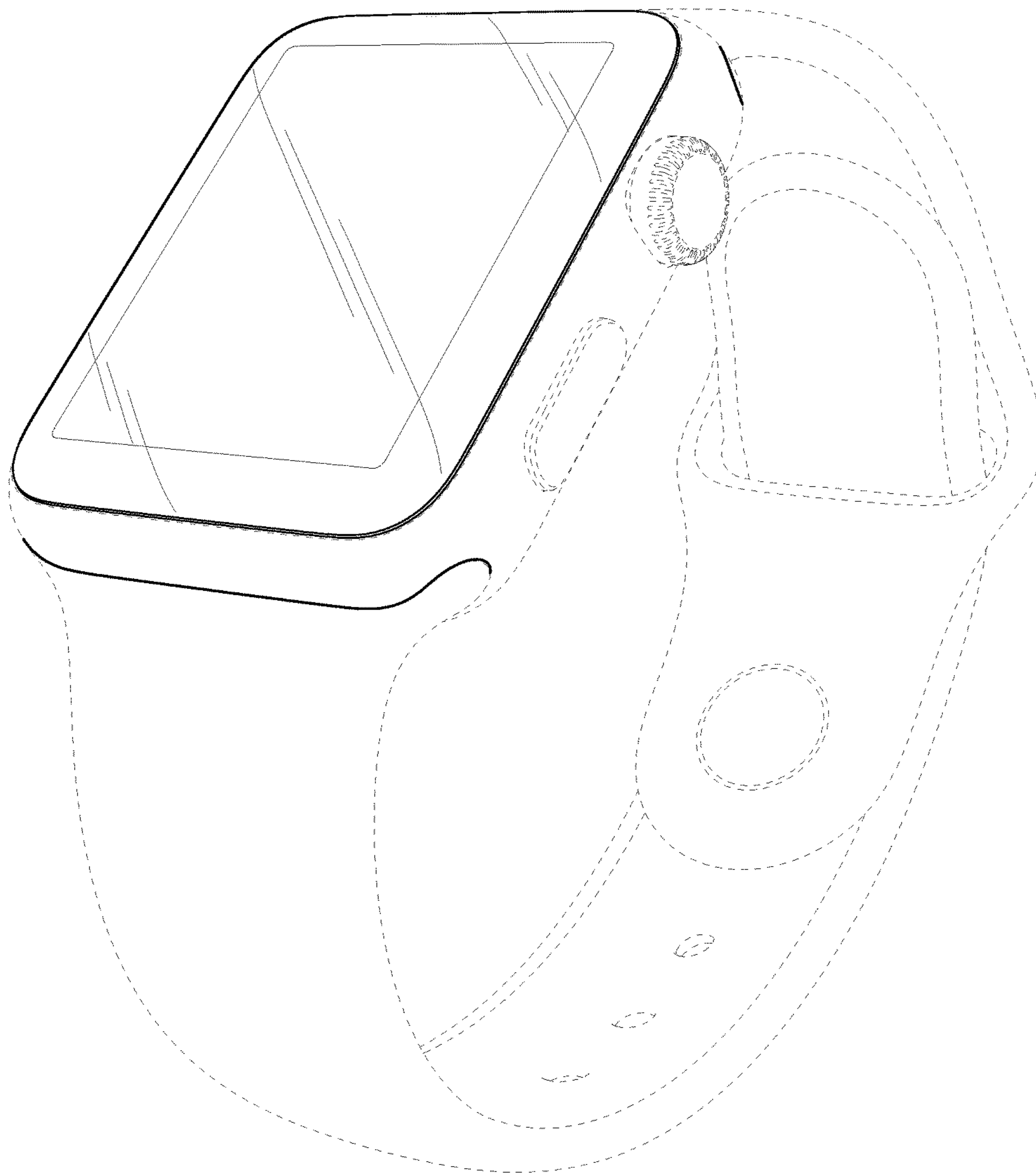


FIG. 9