



US00D800162S

(12) **United States Design Patent** (10) **Patent No.:** **US D800,162 S**
Havranek, Jr. (45) **Date of Patent:** **** Oct. 17, 2017**

(54) **DISPLAY SCREEN WITH GRAPHICAL USER INTERFACE ICON**

(71) Applicant: **TeleTracking Technologies, Inc.**,
Pittsburgh, PA (US)

(72) Inventor: **Thomas F. Havranek, Jr.**, Baden, PA
(US)

(73) Assignee: **TeleTracking Technologies, Inc.**,
Pittsburgh, PA (US)

(**) Term: **15 Years**

(21) Appl. No.: **29/558,881**

(22) Filed: **Mar. 22, 2016**

(51) **LOC (10) Cl.** **14-04**

(52) **U.S. Cl.**
USPC **D14/492**

(58) **Field of Classification Search**
USPC 725/2; 340/286.07; D14/485-495
CPC G06F 3/0482; G06F 3/04842; G06F
2203/04807; G06F 19/3418; G06F
19/327; G06F 19/3406; G06F 19/34;
H04M 1/2477; G06Q 50/22; G06Q 50/24;
G06T 2207/30004

See application file for complete search history.

(56) **References Cited**

U.S. PATENT DOCUMENTS

- 5,473,536 A * 12/1995 Wimmer G06F 19/3406
700/90
- D572,724 S * 7/2008 Guimaraes D14/495
- D572,725 S * 7/2008 Guimaraes D14/495
- D742,917 S * 11/2015 Perez D14/492
- D759,037 S * 6/2016 Kadosh D14/485
- 2003/0052787 A1 * 3/2003 Zerhusen A47B 23/046
340/573.1

- 2003/0174177 A1 * 9/2003 Tsukuda B41J 3/4075
715/810
- 2011/0205061 A1 * 8/2011 Wilson G05B 19/042
340/573.1
- 2011/0208541 A1 * 8/2011 Wilson A61G 7/018
705/3
- 2012/0089419 A1 * 4/2012 Huster A61B 5/1115
705/3
- 2014/0026322 A1 * 1/2014 Bell A61G 7/00
5/600
- 2014/0278524 A1 * 9/2014 Vaglio G06Q 50/24
705/3
- 2015/0277703 A1 * 10/2015 Davis G06F 19/3406
705/2
- 2017/0032656 A1 * 2/2017 Morgan G08B 21/245
- 2017/0097800 A1 * 4/2017 Vanderpohl, III G06F 3/14

OTHER PUBLICATIONS

Faisalovers, medical line, Oct. 30, 2016, iconfinder.com [online],
[site visited May 11, 2017]. Available from Internet: [https://www.
iconfinder.com/iconsets/medical-line-8](https://www.iconfinder.com/iconsets/medical-line-8).*

(Continued)

Primary Examiner — Karen Kearney
Assistant Examiner — Katherine Holbrow
(74) *Attorney, Agent, or Firm* — Finnegan, Henderson,
Farabow, Garrett & Dunner LLP

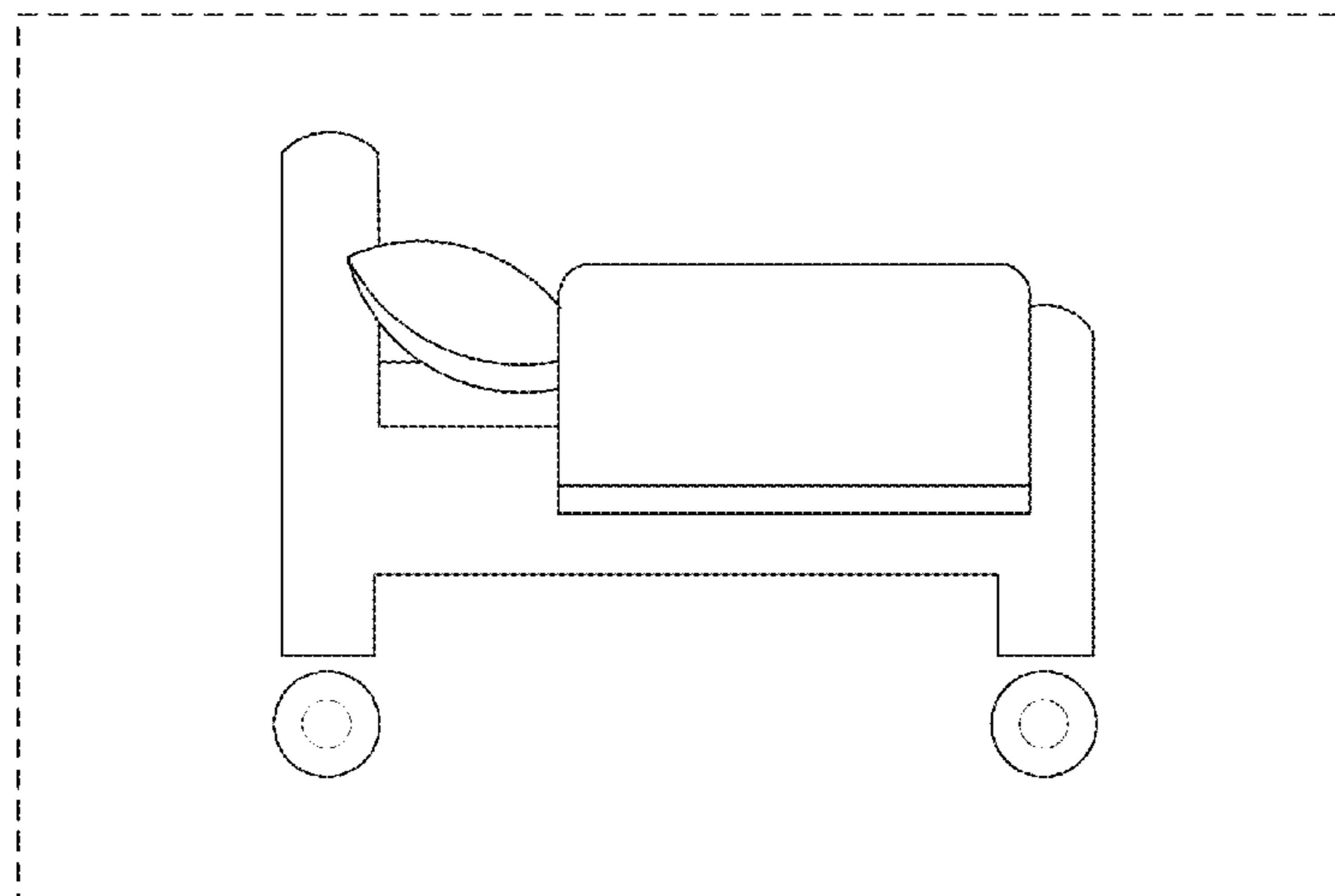
(57) **CLAIM**

The ornamental design for a display screen with graphical
user interface icon, as shown and described.

DESCRIPTION

The FIGURE is a front view of a display screen with
graphical user interface icon, showing the new design.
The broken lines show the display screen, and form no part
of the claimed design.

1 Claim, 1 Drawing Sheet



(56)

References Cited

OTHER PUBLICATIONS

Halstead, Simon, TeleTracking Overview Booklet, Dec. 4, 2015, slideshare.net [online], [site visited May 5, 2017]. Available from Internet: <https://www.slideshare.net/SimonHalstead/teletracking-overview-booklet>.*

Perysty, Image ID csp31448330, Oct. 29, 2015, canstockphoto.com [online], [site visited May 11, 2017]. Available from Internet: <http://www.canstockphoto.com/bed-side-view-31448330.html>.*

* cited by examiner

