

US00D800160S

(12) **United States Design Patent** (10) **Patent No.:** **US D800,160 S**  
**Shaw** (45) **Date of Patent:** **\*\* Oct. 17, 2017**

(54) **DISPLAY SCREEN WITH GRAPHICAL USER INTERFACE**

(71) Applicant: **Microsoft Corporation**, Redmond, WA (US)

(72) Inventor: **Han-Yi Shaw**, Redmond, WA (US)

(73) Assignee: **Microsoft Corporation**, Redmond, WA (US)

(\*\*) Term: **15 Years**

(21) Appl. No.: **29/571,580**

(22) Filed: **Jul. 20, 2016**

D692,017 S	10/2013	Andersson et al.	
D699,747 S	2/2014	Pearson et al.	
D699,750 S	2/2014	Pearson et al.	
D700,207 S *	2/2014	Pearson .....	D14/488
D702,706 S *	4/2014	Kotler .....	D14/487
D705,240 S	5/2014	Edwards et al.	
D710,367 S	8/2014	Quattrocchi	
D713,411 S	9/2014	Gall et al.	
D716,315 S	10/2014	Behzadi et al.	
D716,316 S	10/2014	Behzadi et al.	
D716,318 S	10/2014	Fan et al.	
D716,319 S	10/2014	Fan et al.	
D716,320 S	10/2014	Fan et al.	
D716,819 S	11/2014	Kotler et al.	
D721,087 S	1/2015	Barling	
D721,088 S	1/2015	Barling et al.	
D726,741 S	4/2015	Lee et al.	

(Continued)

**Related U.S. Application Data**

(63) Continuation of application No. 29/493,468, filed on Jun. 10, 2014, now Pat. No. Des. 765,669.

(51) **LOC (10) Cl.** ..... **14-04**

(52) **U.S. Cl.**  
USPC ..... **D14/489**

(58) **Field of Classification Search**  
USPC ..... D14/485-495  
CPC ..... B61C 11/04; B64C 29/00; G06F 3/04817;  
G06F 3/0482; G06F 2203/04807; G06T  
15/02; G06T 13/80; H04M 1/2477; H04N  
1/00424

See application file for complete search history.

(56) **References Cited**

**U.S. PATENT DOCUMENTS**

D396,455 S	7/1998	Bier
D461,822 S	8/2002	Okuley
6,448,987 B1	9/2002	Easty et al.
D473,151 S	4/2003	Shaland et al.
6,762,778 B1	7/2004	Golibrodski et al.
D550,696 S	9/2007	Kortum et al.
D602,033 S	10/2009	Vu et al.
D625,319 S	10/2010	Allen et al.

**OTHER PUBLICATIONS**

Alamy | Stock Vector—Table tennis vector icon. Ping-pong icon, posted on Aug. 2, 2016, no copyright date posted [online], [site visited Jun. 8, 2017]. Available from Internet, <URL: <http://www.alamy.com/stock-photo-table-tennis-vector-icon-ping-pong-icon-113253458.html/>>.\*

(Continued)

*Primary Examiner* — Philip S Hyder

*Assistant Examiner* — Cary M Robinson

(74) *Attorney, Agent, or Firm* — Banner & Witcoff, Ltd.

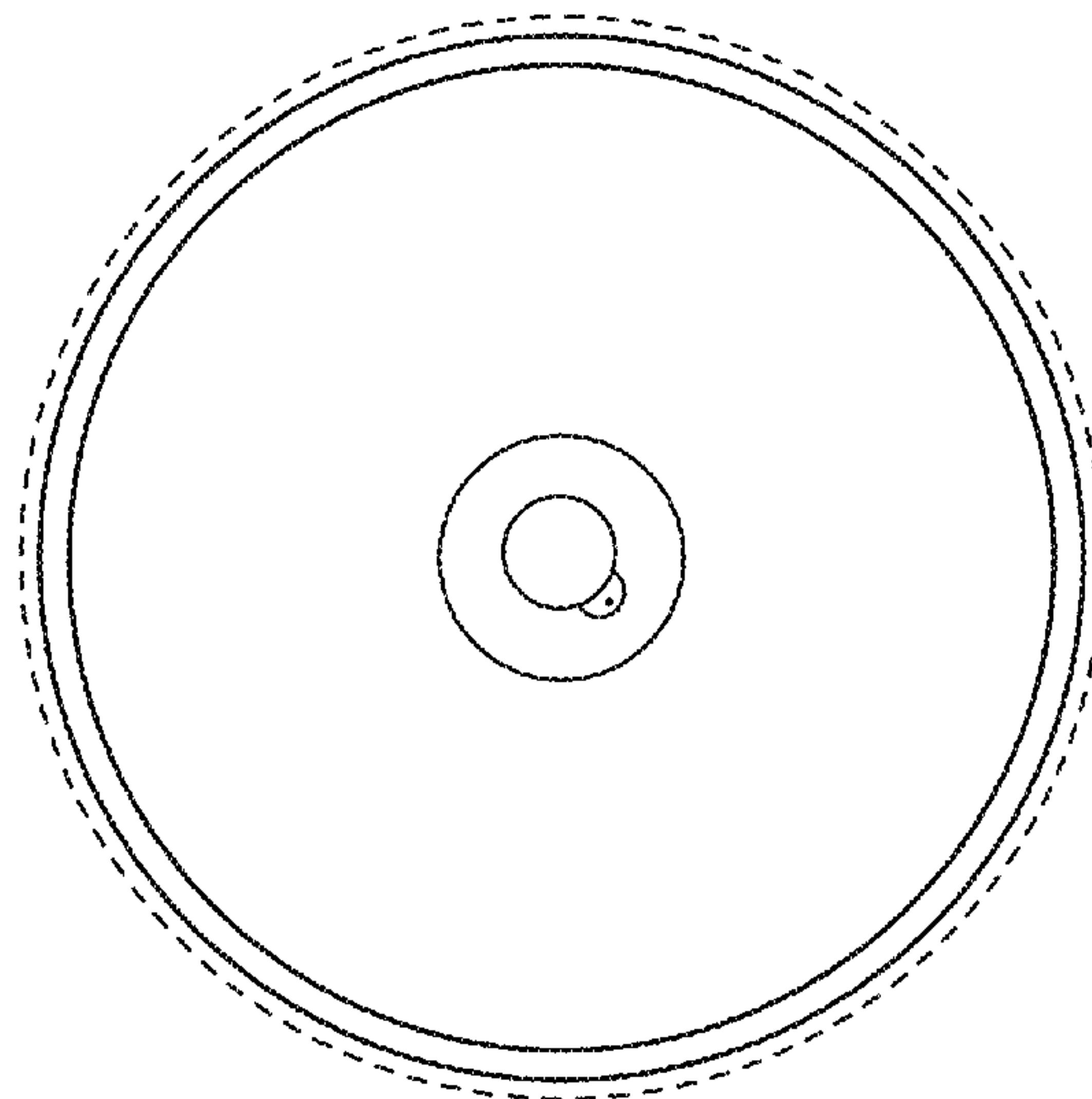
(57) **CLAIM**

The ornamental design for a display screen with graphical user interface, as shown and described.

**DESCRIPTION**

The FIGURE is a front view of a display screen with graphical user interface showing my new design. The broken line shown in the FIGURE illustrates the display screen and forms no part of the claimed design.

**1 Claim, 1 Drawing Sheet**



(56)

References Cited

U.S. PATENT DOCUMENTS

D729,260	S	5/2015	Ahn et al.	
D736,780	S	8/2015	Wang	
D739,860	S *	9/2015	Perez .....	D14/485
D749,107	S *	2/2016	Amiya .....	D14/486
D752,061	S *	3/2016	Ahn .....	D14/485
D752,067	S	3/2016	Moon et al.	
9,280,263	B2	3/2016	Kim	
9,292,101	B2	3/2016	Lewin	
D753,712	S	4/2016	Lee	
D754,162	S *	4/2016	Nadiadi .....	D14/486
9,307,294	B2 *	4/2016	Hiyoshi .....	G06F 3/04815
D757,027	S *	5/2016	Gordon .....	D14/485
D757,746	S *	5/2016	Lee .....	D14/485
D757,748	S *	5/2016	Butcher .....	D14/485
D758,406	S *	6/2016	Soldner .....	D14/486
D759,682	S *	6/2016	Myung .....	D14/485
D762,673	S *	8/2016	Seo .....	D14/485
D765,669	S *	9/2016	Shaw .....	D14/485
D766,271	S *	9/2016	Lau .....	D14/485
D778,295	S *	2/2017	Wang .....	D14/486
D783,649	S *	4/2017	Wu .....	D14/486
D784,363	S *	4/2017	Fleming .....	D14/485
2007/0220440	A1 *	9/2007	Song .....	G06F 3/0481 715/776
2007/0271528	A1	11/2007	Park et al.	
2011/0083100	A1 *	4/2011	Fyke .....	G06F 3/03547 715/790
2013/0019175	A1 *	1/2013	Kotler .....	G06F 3/0482 715/728
2013/0019182	A1 *	1/2013	Gil .....	G06F 3/0482 715/738
2013/0019208	A1 *	1/2013	Kotler .....	G06F 3/04812 715/835
2013/0127911	A1	5/2013	Brown	
2013/0212529	A1 *	8/2013	Amarnath .....	G06F 3/017 715/810
2015/0309714	A1	10/2015	Blyumen	
2015/0324101	A1	11/2015	Roesch et al.	
2015/0370469	A1	12/2015	Leong et al.	
2016/0026345	A1	1/2016	Yao et al.	
2016/0062618	A1	3/2016	Fagan et al.	

OTHER PUBLICATIONS

Deposit Photos | Sign Stamps set—Stock Illustration, posted on Jul. 1, 2014, © 2009-2017. Depositphotos, Inc. [online], [site visited Jun. 7, 2017]. Available from Internet, <URL: <https://depositphotos.com/6027318/stock-illustration-sign-stamps-set.html>>.\*

Design Tuts Plus | Design & Illustration | Illustration | How to Create a Vector Light Bulb Icon with Inkscape, posted on Jan. 20, 2012, © 2017 Envato Pty Ltd. [online], [site visited Jun. 8, 2017].

Available from Internet, <URL: <https://design.tutsplus.com/tutorials/how-to-create-a-vector-light-bulb-icon-with-inkscape--vector-1299/>>.\*

Fotolia | Technology | Electronic | Light bulb icon. Energy power technology and electricity theme. Isolated design. Vector illustration, posted on Nov. 5, 2016, © Fotolia 2017 [online], [site visited Jun. 8, 2017]. Available from Internet, <URL: <https://www.fotolia.com/id/125936982/>>.\*

Woodwind Brasswind | Accessories | Drum & Percussion Accessories | Drum Heads | Tom-Tom Drum Heads i Evans EC Resonant Drumhead 18 in., posted on Jan. 31, 2009, no copyright date posted, © Woodwind & Brasswind [online], [site visited Jun. 7, 2017]. Available from Internet, <URL: <http://www.wwbw.com/Evans-EC-Resonant-Drumhead-482377.wwbw/>>.\*

Trademark Serial No. 87470595, May 31, 2017 (filed), (Applicant) Matway, Ryan D. Individual United States.\*

Trademark Registration No. 5218176, Jun. 6, 2017 (registration date), First used in commerce—Apr. 20, 2016, (Registrant) Sou, Danny Individual United States, USA Mississippi.\*

Trademark Serial No. 87359076, Mar. 5, 2017 (filed), (Applicant) Climb-On Maps, LLC Limited Liability Company Utah.\*

Trade Marks & Symbols vol. 1: Alphabetical Designs, Kashiwa Shobo Publishers, Ltd., Tokyo © 1973, pp. 34.\*

1000 Icons, Symbols + Pictograms: Visual Communication for Every Language, Rockport Publishers, Gloucester, MA © 2006, pp. 87.\*

Samsung Galaxy Note Pro 12.2 [released Feb. 13, 2014] User Interface by Fatima Khadoy, posted on Jul. 28, 2014 © 2015 YouTube, LLC, [online], [site visited Oct. 13, 2015]. Available from Internet, [frames 2:13 2:20- <URL: <https://www.youtube.com/watch?v=J419by1YuoY>>].

Github, Julien Marcou, RadialMenu, A WPF RadialMenu, postd on Aug. 28, 2015, copyright 2016 GitHub, Inc. [online], site visited Apr. 16, 2016]. Available from Internet, <URL: <https://github.com/Julien-Marcou/RadialMenu>>.

Infragistics, Windows Forms Development Team Blog, New Windows Forms Radial Menu Control, posted on Mar. 15, 2013, copyright 2015 Infragistics [online], [site visited Apr. 14, 2016]. Available from Internet: <URL: <http://www.infragistics.com/community/blogs/winforms/archive/2013/08/15/introducing-the-infragistics-radial-menu-component.aspx>>.

Infragistics, Community, Blogs, Marina Stoyanova's Blog, How to Get Started With Windows UI Radial Menu for WinRT, posted on Jan. 17, 2014, copyright 2015 Infragistics [online], [site visited Apr. 16, 2016]. Available from Internet, <URL: [http://www.infragistics.com/community/blogs/marina\\_stoyanova/archive/2014/01/17/how-to-get-started-with-windows-ui-radial-me](http://www.infragistics.com/community/blogs/marina_stoyanova/archive/2014/01/17/how-to-get-started-with-windows-ui-radial-me)>.

Syncfusion, Blogs, Post, Radial Menu Command Binding, posted on Apr. 2, 2013, copyright 2001 [online], [site visited Apr. 16, 2016]. Available from Internet, <URL: <https://www.syncfusion.com/blogs/post/Radial-Menu-Command-Binding.aspx>>.

\* cited by examiner

